



US00D621367S

(12) **United States Design Patent**
Holliday

(10) **Patent No.:** **US D621,367 S**

(45) **Date of Patent:** **** Aug. 10, 2010**

(54) **BULGE-TYPE CABLE CONNECTOR ASSEMBLY HAVING AN EXTERNAL COLOR BAND**

(75) Inventor: **Randall A. Holliday**, 1860 Mallard Dr., Broomfield, CO (US) 80020

(73) Assignee: **Randall A. Holliday**, Broomfield, CO (US)

(**) Term: **14 Years**

(21) Appl. No.: **29/352,432**

(22) Filed: **Dec. 21, 2009**

Related U.S. Application Data

(63) Continuation-in-part of application No. 29/313,674, filed on Feb. 2, 2009, now Pat. No. Des. 606,494, which is a continuation-in-part of application No. 29/307,306, filed on Apr. 11, 2008, now Pat. No. Des. 588,991, which is a continuation of application No. 11/262,363, filed on Oct. 29, 2005, now Pat. No. 7,410,389, which is a continuation-in-part of application No. 10/927,884, filed on Aug. 27, 2004, now Pat. No. 7,188,507.

(51) **LOC (9) Cl.** **13-03**

(52) **U.S. Cl.** **D13/151**

(58) **Field of Classification Search** D13/133, D13/149, 151, 153, 154, 156, 199; 439/79, 439/248, 258, 274, 350, 352, 353, 358, 359, 439/362, 378, 445, 447, 578, 584, 585, 656, 439/660, 676, 677, 678, 679, 680, 681, 682, 439/686; 411/7, 11; 426/507; 28/828; 307/10.1; 333/81 A

See application file for complete search history.

(56) **References Cited**

U.S. PATENT DOCUMENTS

D312,814 S * 12/1990 Takizawa D13/133

D514,071 S * 1/2006 Vahey D13/154

D588,991 S * 3/2009 Holliday D13/151

D597,959 S * 8/2009 Malloy D13/151

2006/0205272 A1* 9/2006 Rodrigues 439/585

* cited by examiner

Primary Examiner—Daniel D Bui

Assistant Examiner—Thomas J Johannes

(74) *Attorney, Agent, or Firm*—The Reilly Intellectual Property Law Firm, P.C.

(57) **CLAIM**

The ornamental design for bulge-type cable connector assembly having an external color band, as shown and described.

DESCRIPTION

FIG. 1 is a front perspective view of a first embodiment of a bulge-type cable connector assembly having an external color band showing my new design.

FIG. 2 is a side elevation view thereof.

FIG. 3 is an end plan view thereof.

FIG. 4 is an opposite end plan view thereof.

FIG. 5 is a front perspective view of a second embodiment of a bulge-type cable connector assembly having an external color band showing my new design.

FIG. 6 is a side elevation view thereof.

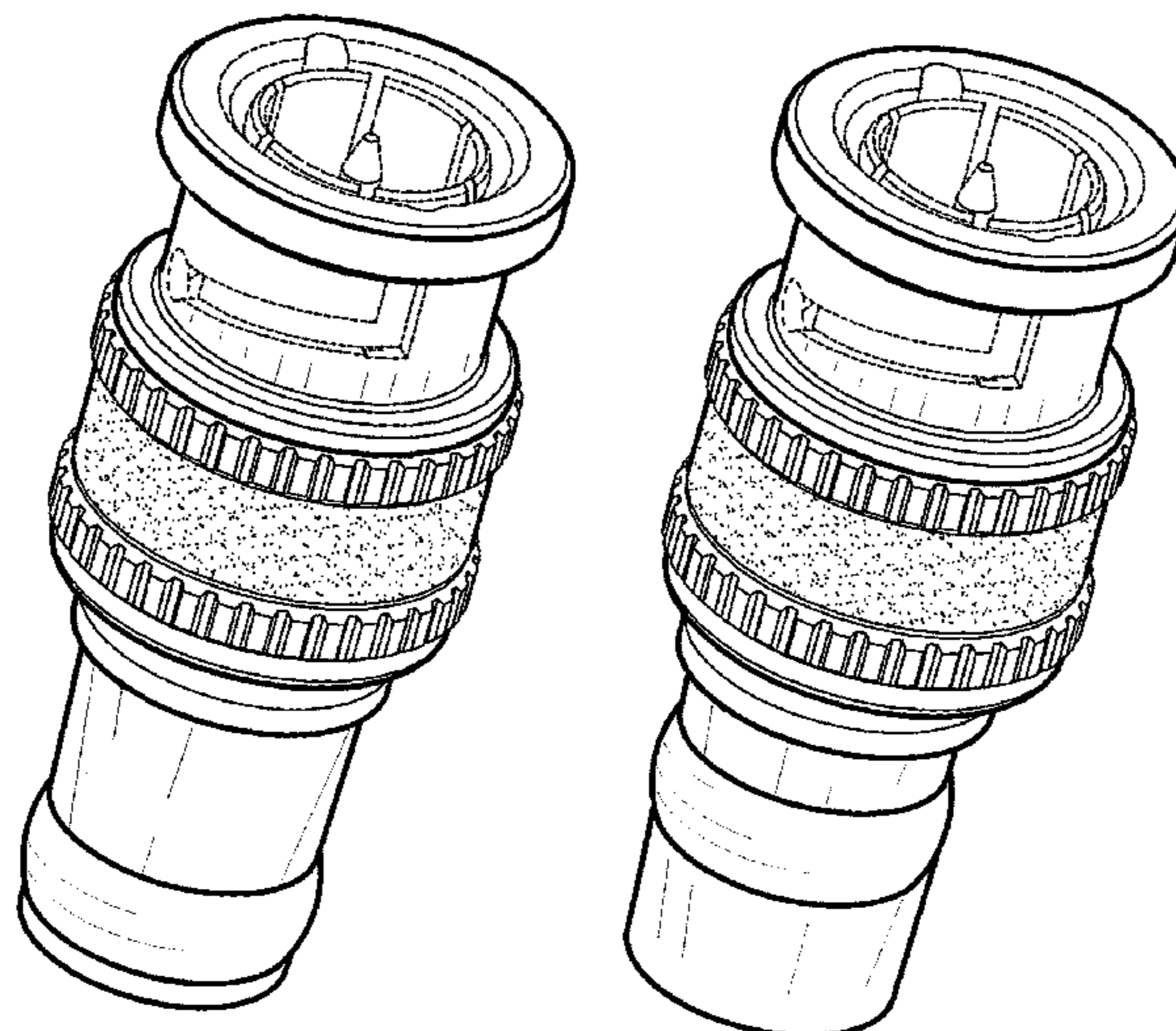
FIG. 7 is an end plan view thereof; and,

FIG. 8 is an opposite end plan view thereof.

The broken line portion of the figure drawings is included to show unclaimed subject matter only and forms no part of the claimed design.

The stippled portions shown in FIGS. 1, 2, 5, and 6 represent different selected colors.

1 Claim, 2 Drawing Sheets



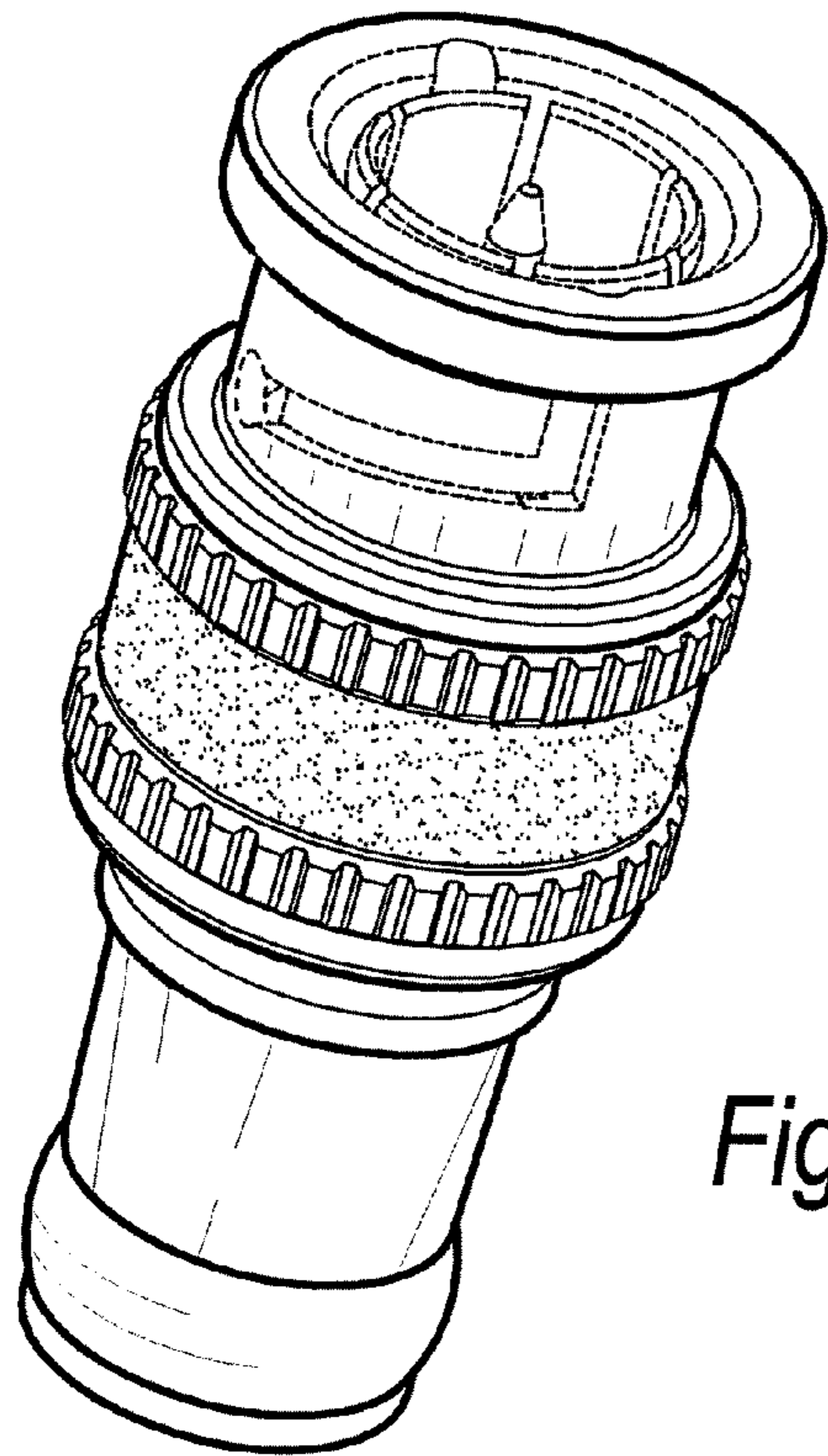


Fig. 1

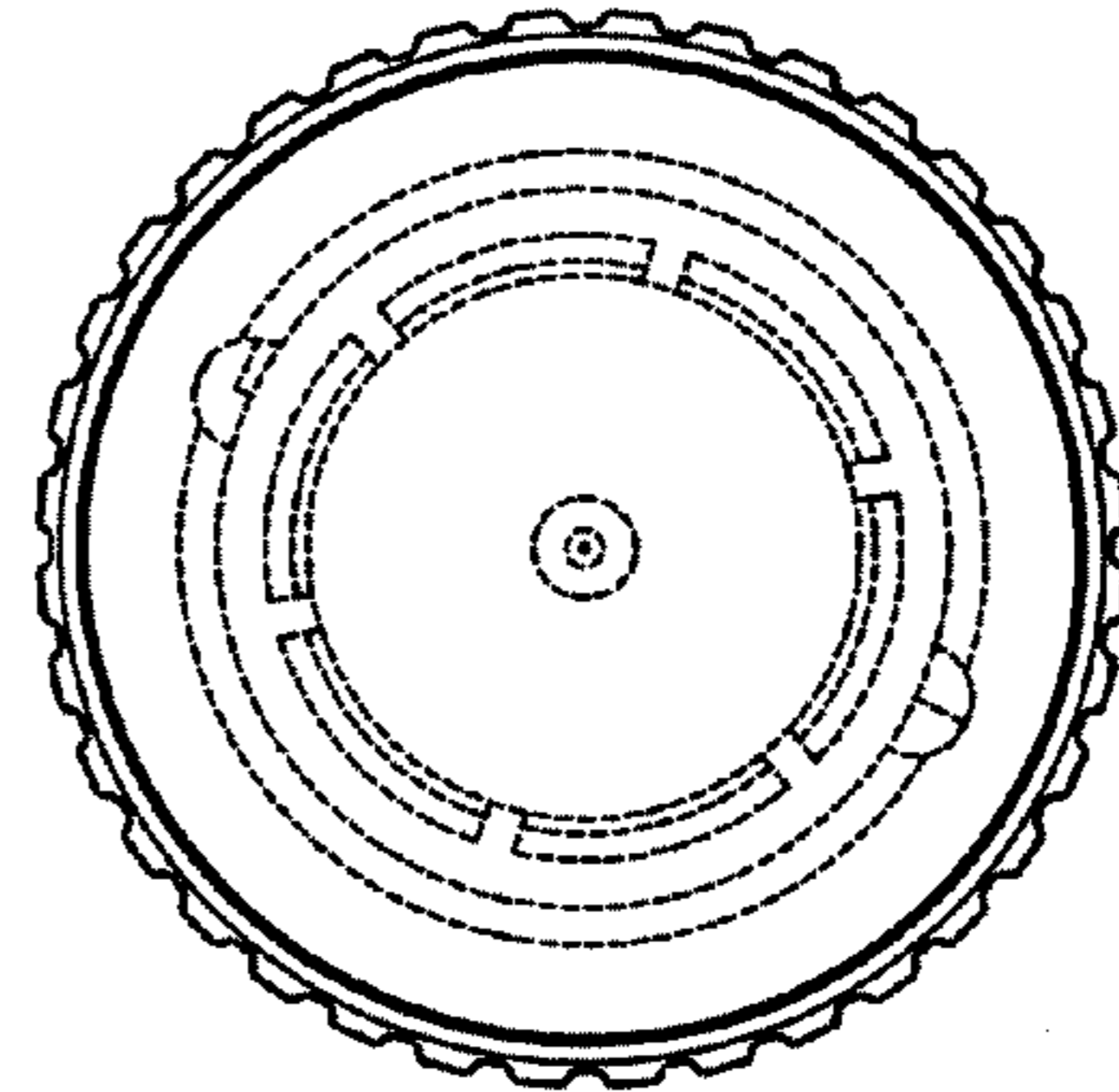


Fig. 4

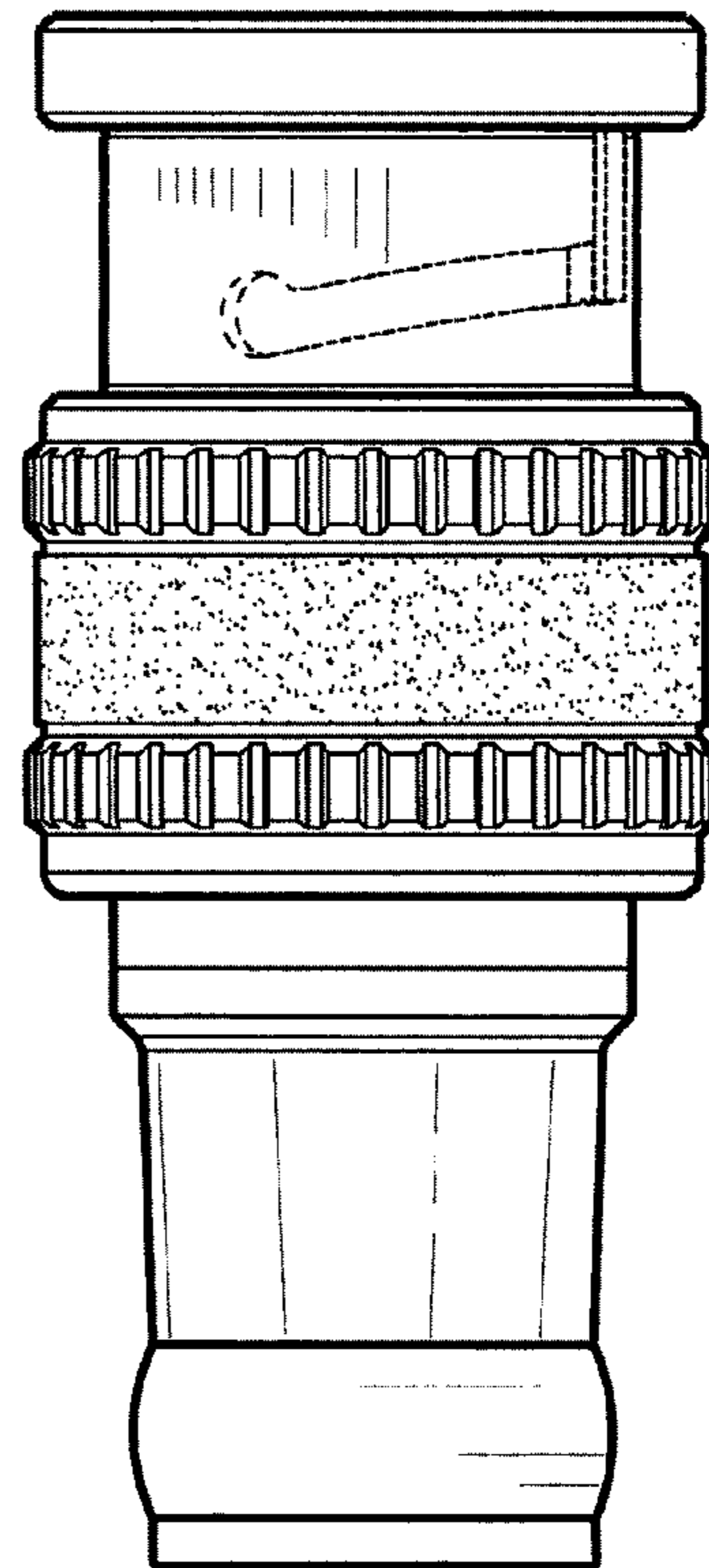


Fig. 2

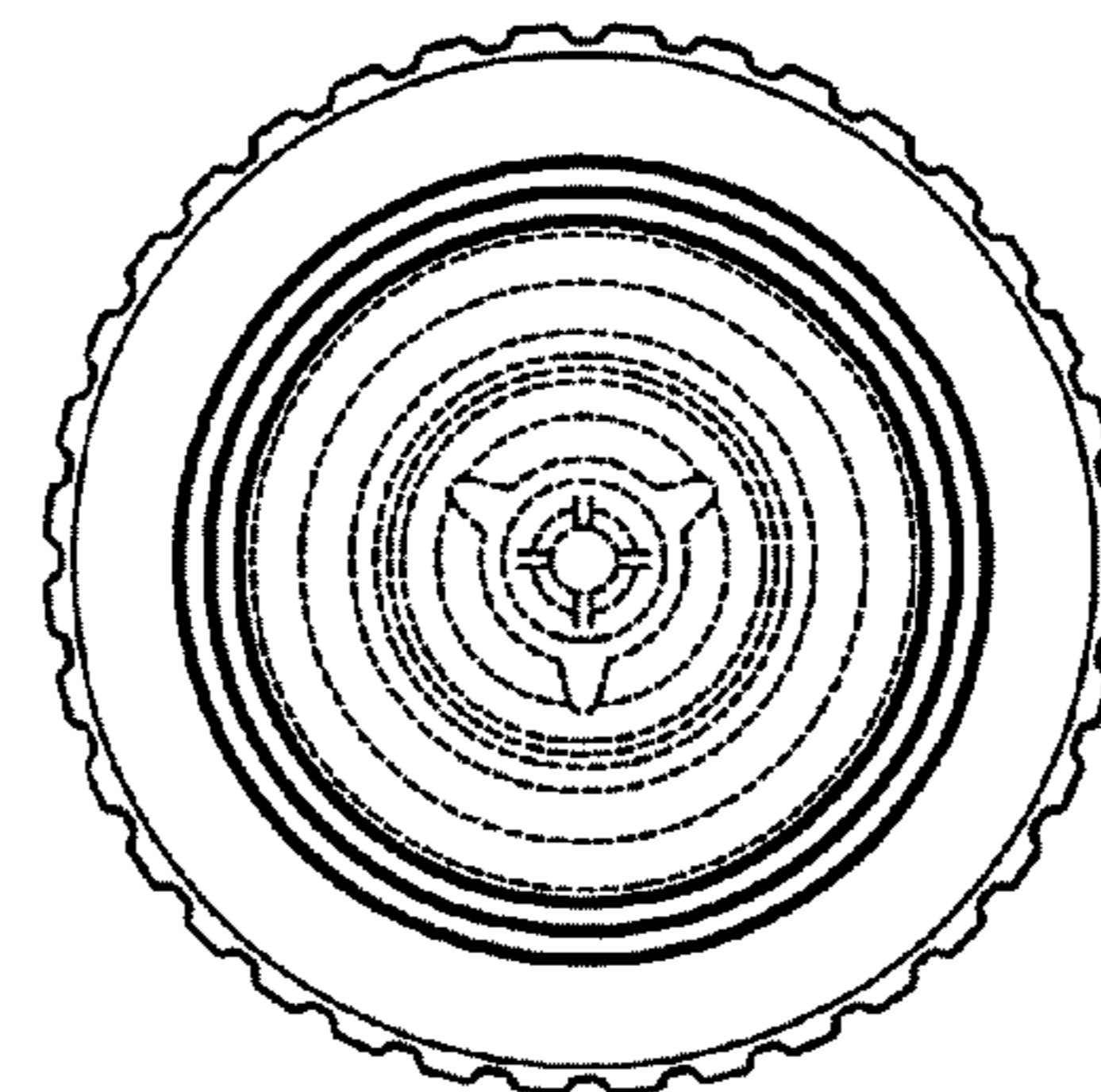


Fig. 3

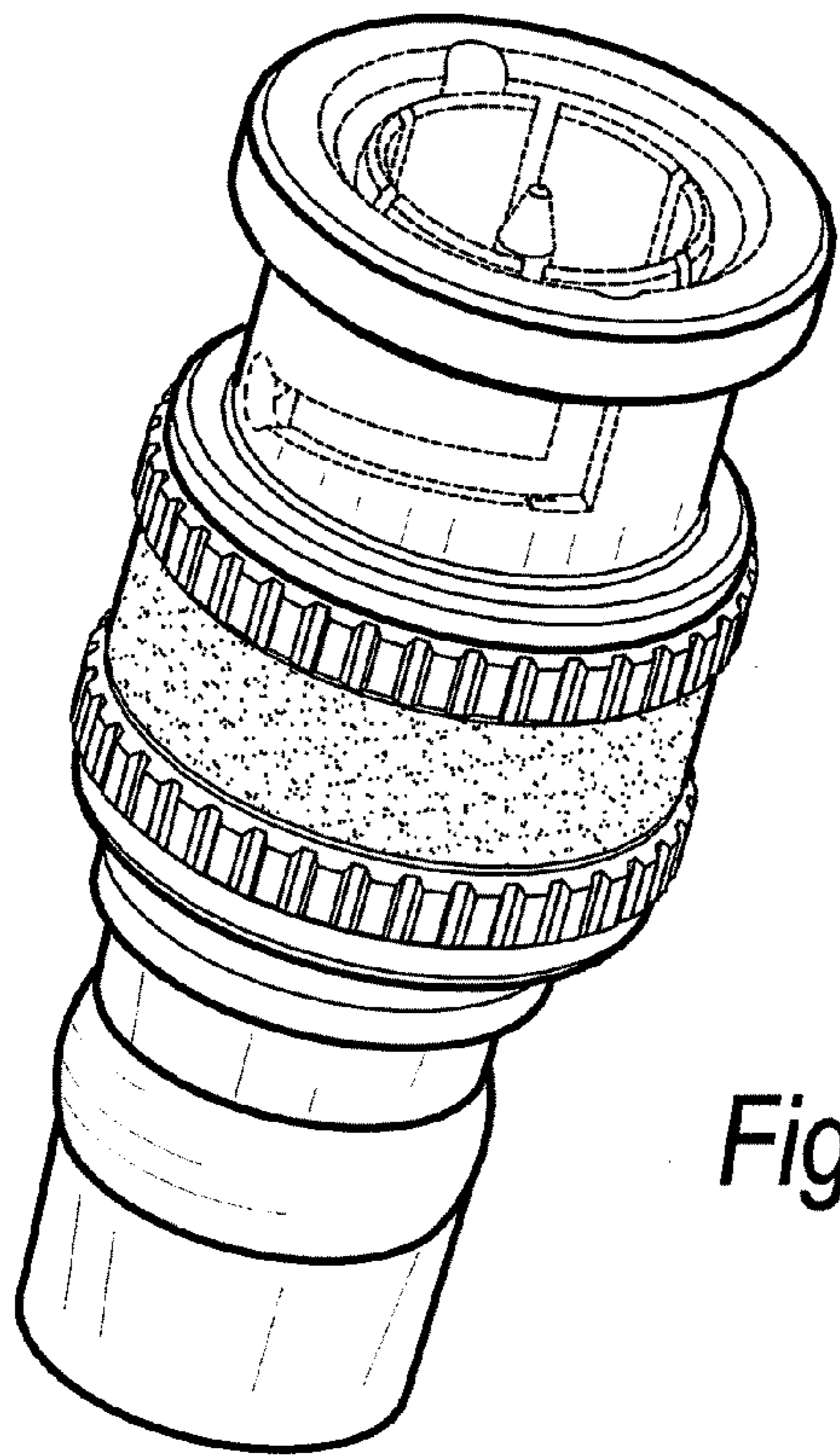


Fig. 5

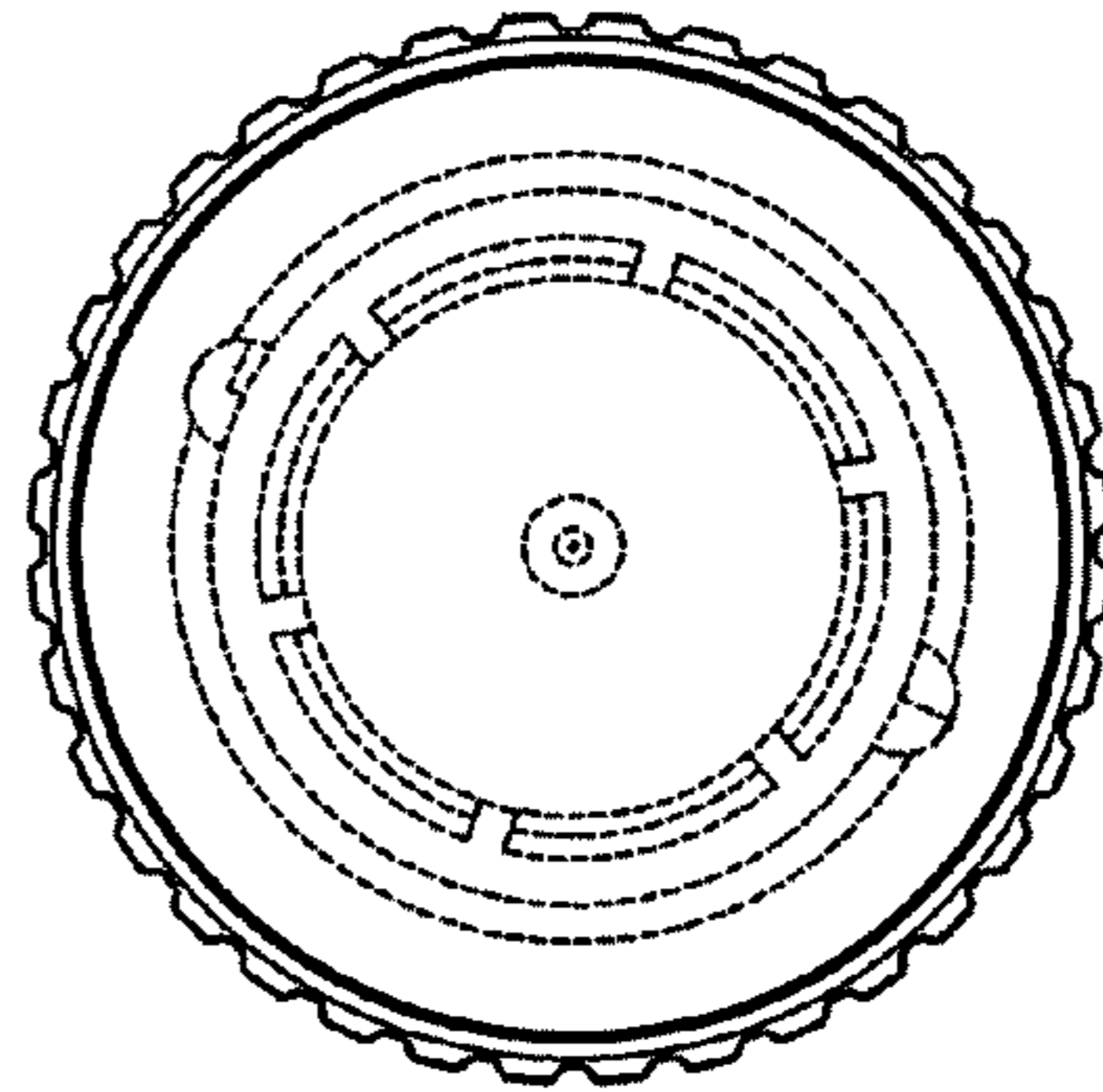


Fig. 8

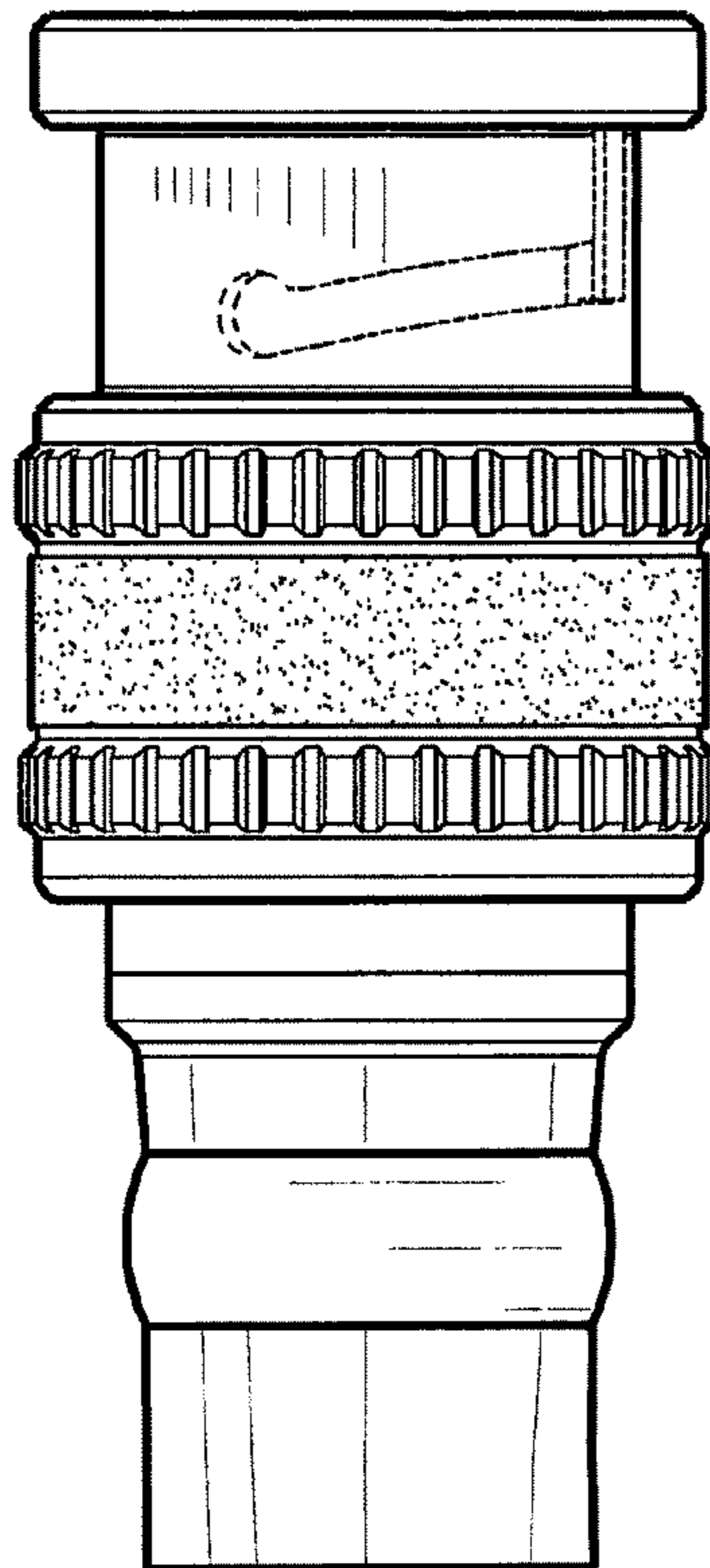


Fig. 6

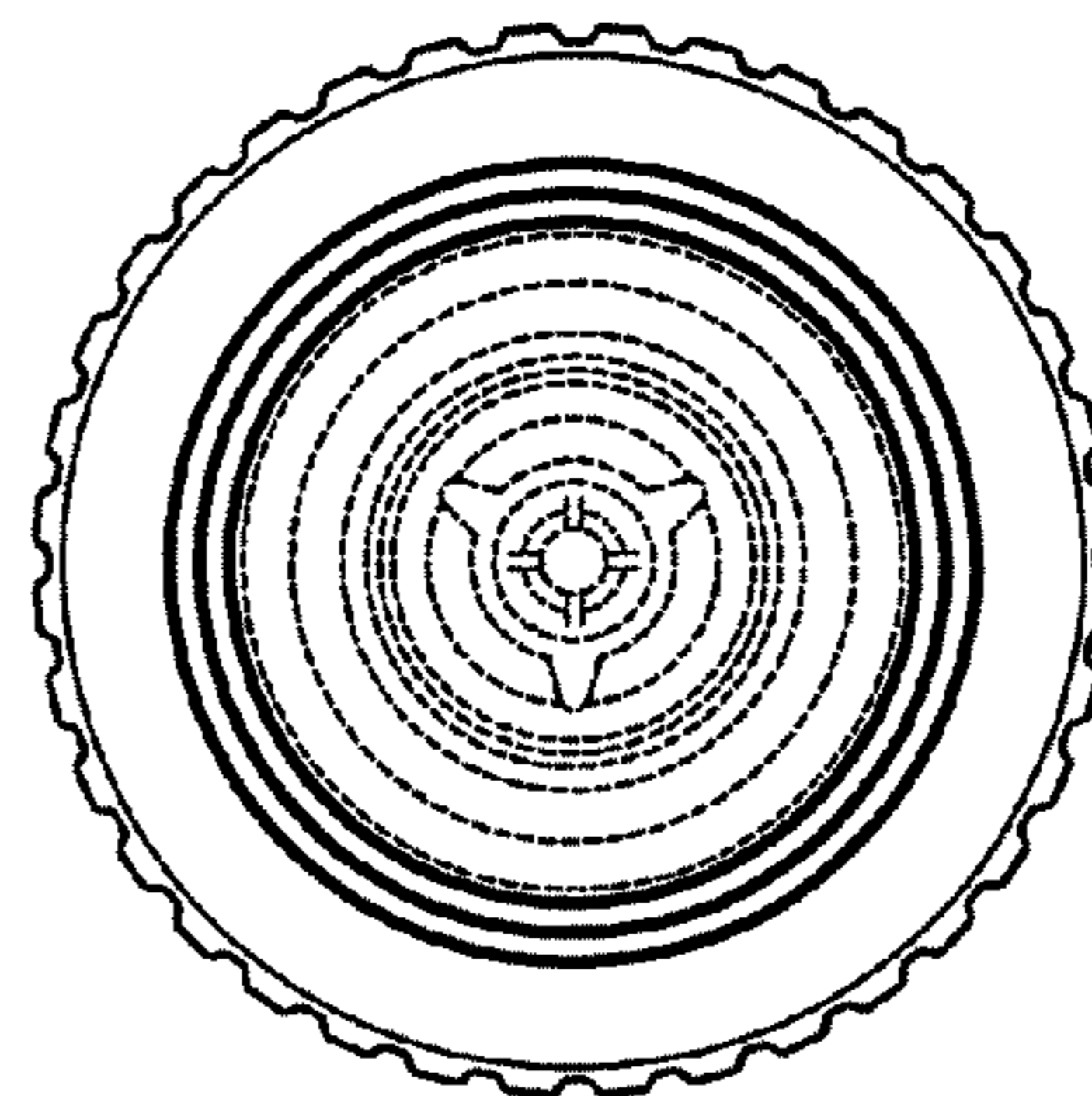


Fig. 7