



US00D621366S

(12) **United States Design Patent**
Browder

(10) **Patent No.:** **US D621,366 S**

(45) **Date of Patent:** **** Aug. 10, 2010**

(54) **INSULATION PIERCING CONNECTOR**

D603,340 S * 11/2009 Grimm D13/149

* cited by examiner

(75) Inventor: **John H. Browder**, Roanoke, TX (US)

Primary Examiner—Daniel D Bui

Assistant Examiner—Thomas J Johannes

(73) Assignee: **International Development LLC**,
Roanoke, TX (US)

(74) *Attorney, Agent, or Firm*—David W. Carstens;
Carstens & Cahoon, LLP

(**) Term: **14 Years**

(57) **CLAIM**

(21) Appl. No.: **29/343,362**

The ornamental design for a insulation piercing connector, as shown and described.

(22) Filed: **Sep. 11, 2009**

(51) **LOC (9) Cl.** **13-03**

(52) **U.S. Cl.** **D13/149**

(58) **Field of Classification Search** D13/133,
D13/146, 147, 151, 153, 154, 184, 199; 439/409,
439/412, 417, 441, 709, 715, 716, 717, 721,
439/729, 835, 260, 329, 492, 495, 570, 68,
439/73, 135, 331, 526, 862
See application file for complete search history.

DESCRIPTION

FIG. 1 is a front perspective view of the insulation piercing connector of the present invention in a closed position;

FIG. 2 is a rear perspective view thereof;

FIG. 3 is a front elevation thereof;

FIG. 4 is a rear elevation thereof;

FIG. 5 is a right side elevation view thereof;

FIG. 6 is a left side elevation view thereof;

FIG. 7 is a top plan view thereof;

FIG. 8 is a bottom plan view thereof;

FIG. 9 is a front perspective view of the insulation piercing connector of the present invention in an opened position;

FIG. 10 is an plan view of the interior surface of the top portion thereof; and,

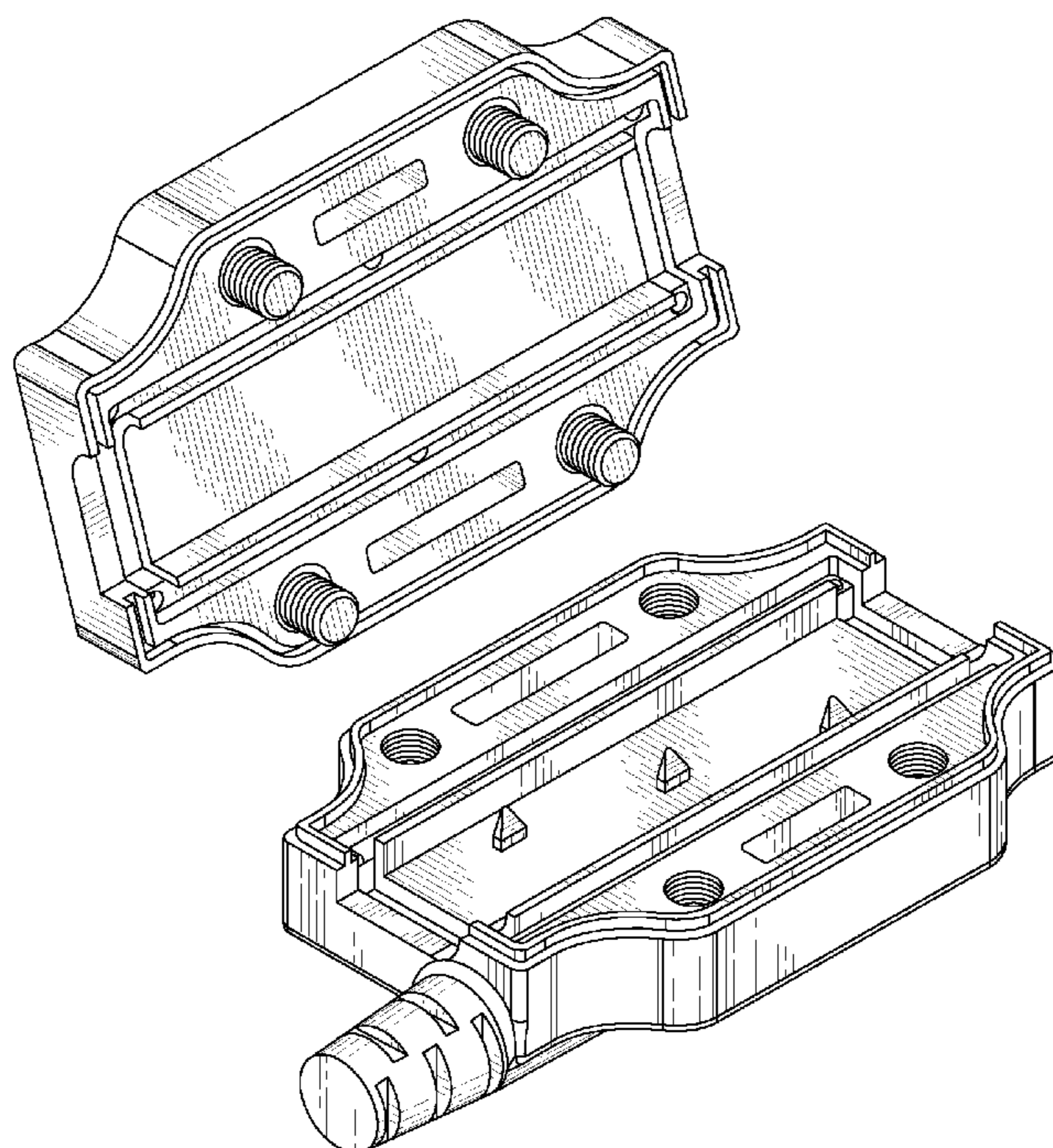
FIG. 11 is a plan view of the interior surface of the bottom portion thereof.

(56) **References Cited**

U.S. PATENT DOCUMENTS

- 5,378,171 A * 1/1995 Czerlanis 439/425
- 6,050,845 A * 4/2000 Smalley et al. 439/417
- 6,261,119 B1 * 7/2001 Green 439/425
- D499,330 S * 12/2004 Peato D8/383
- D530,676 S * 10/2006 Schemm et al. D13/149
- D577,672 S * 9/2008 Yao D13/133
- D588,996 S * 3/2009 Grimm D13/149

1 Claim, 6 Drawing Sheets



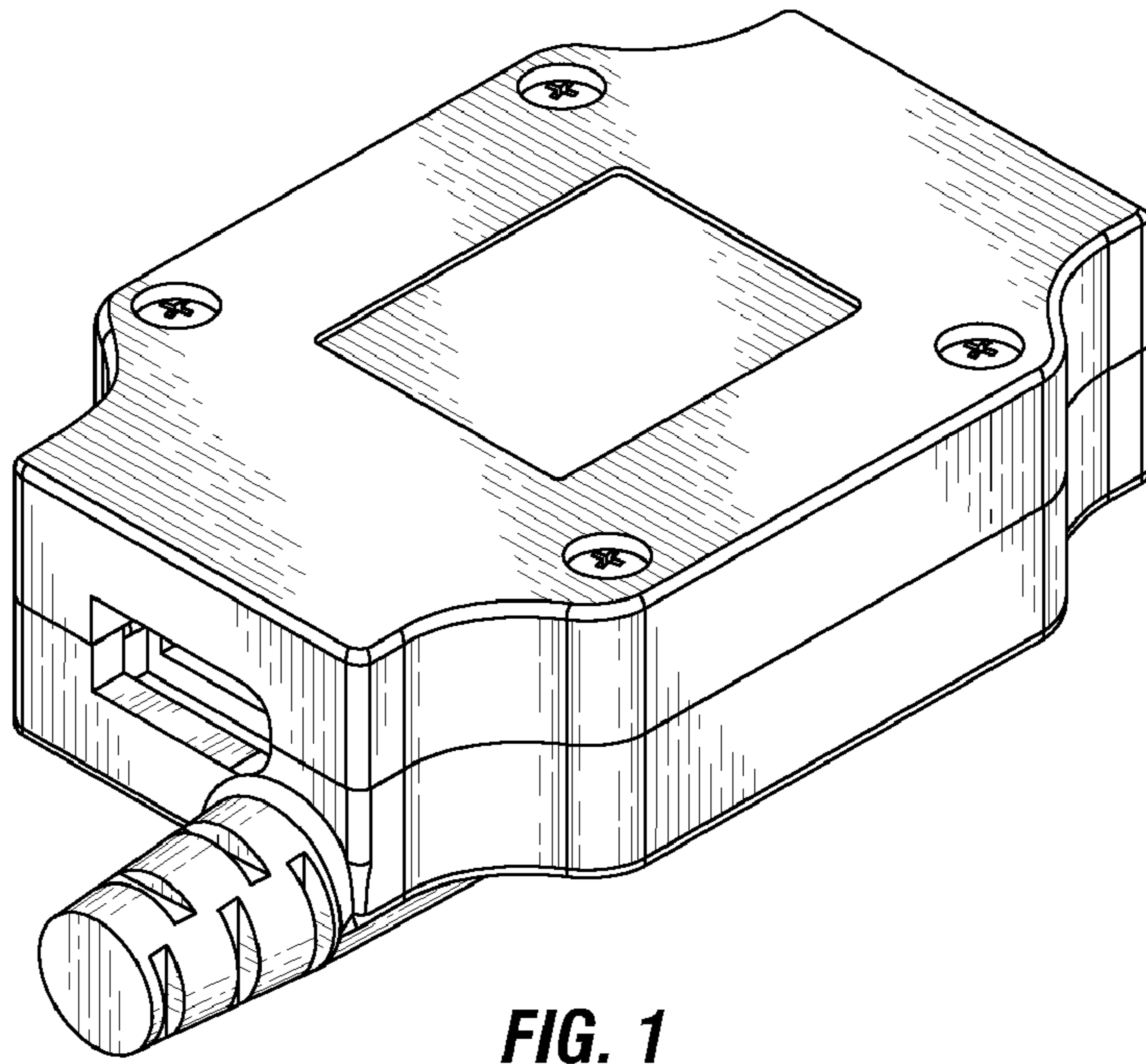


FIG. 1

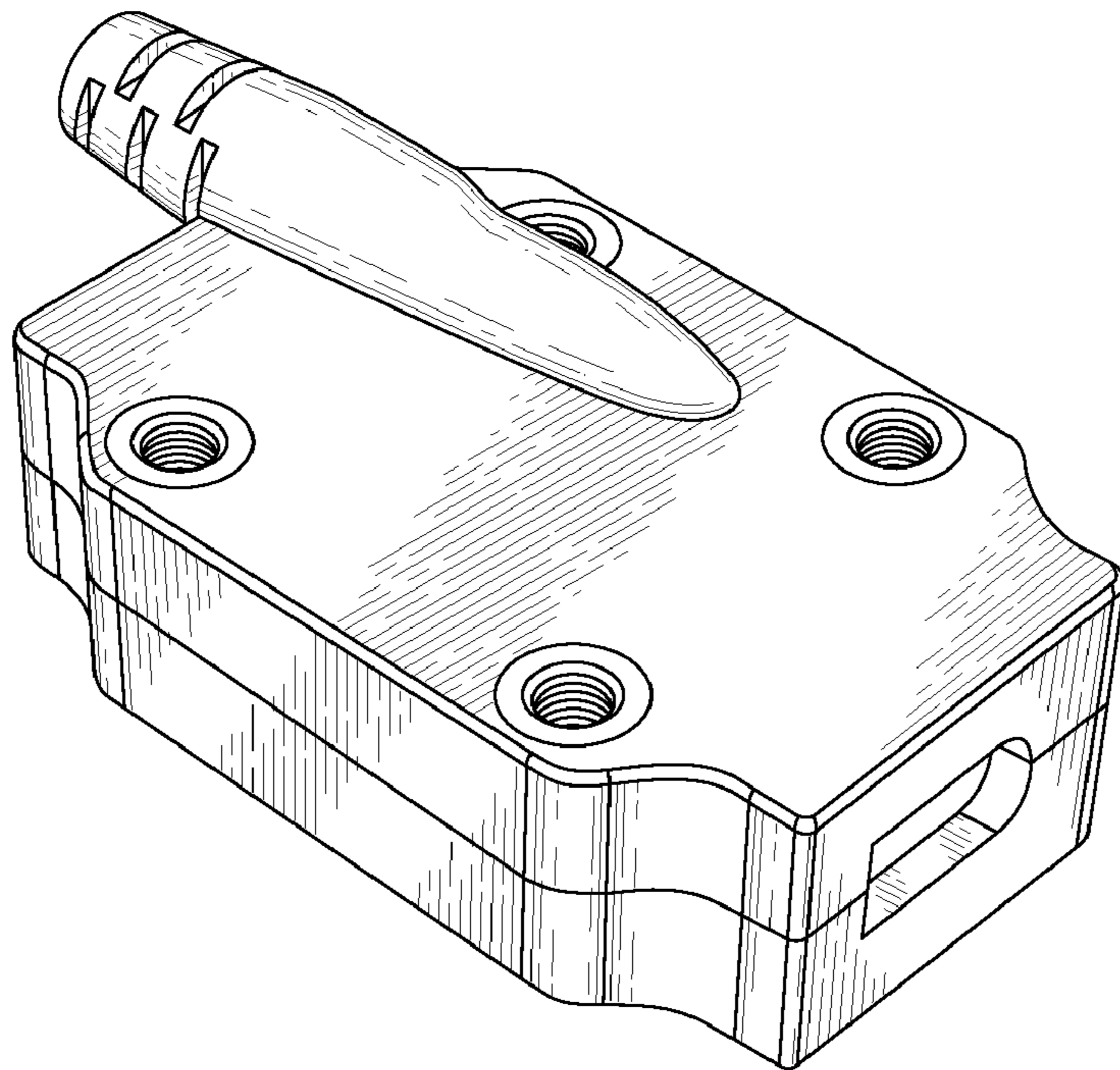


FIG. 2

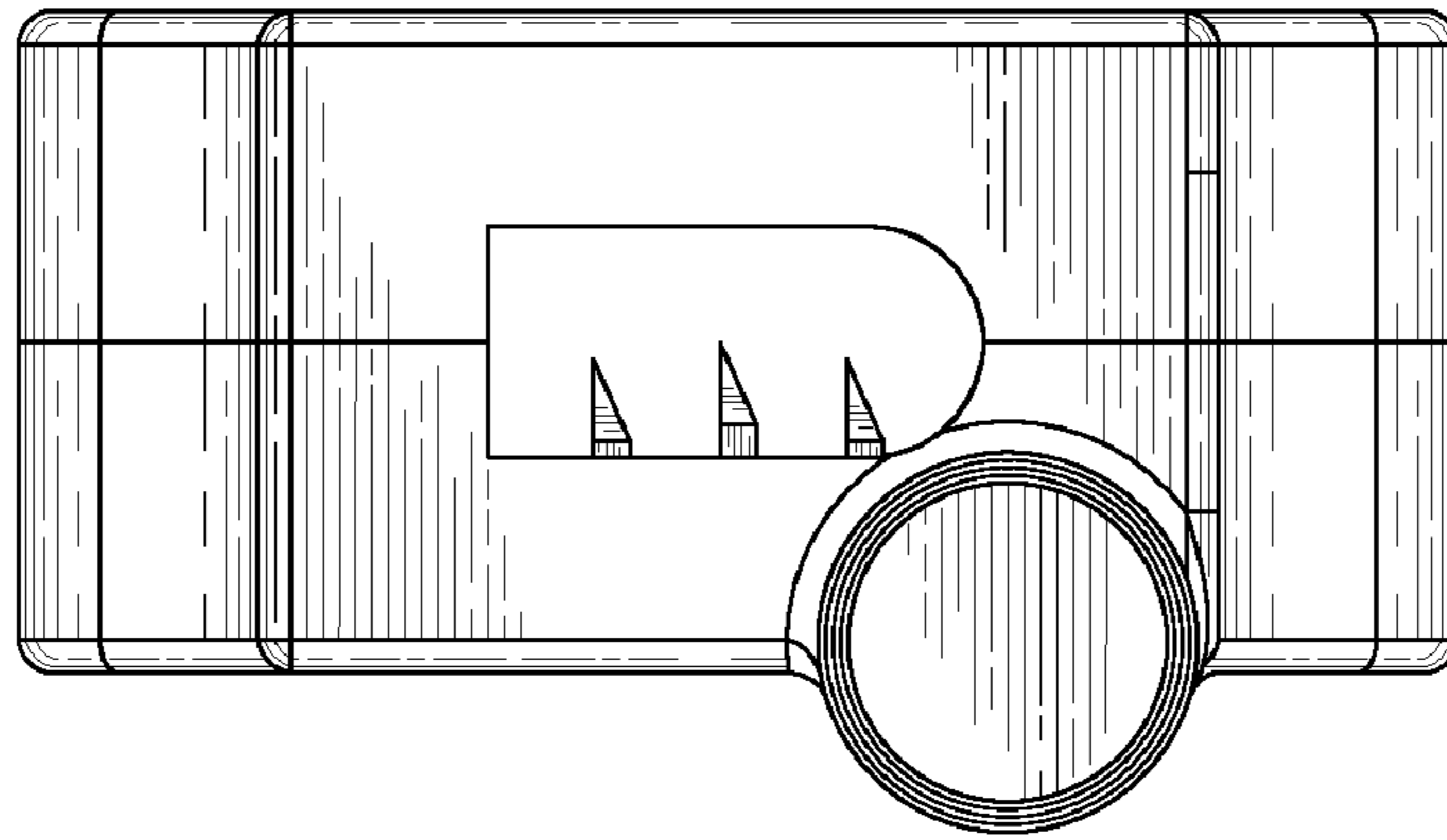


FIG. 3

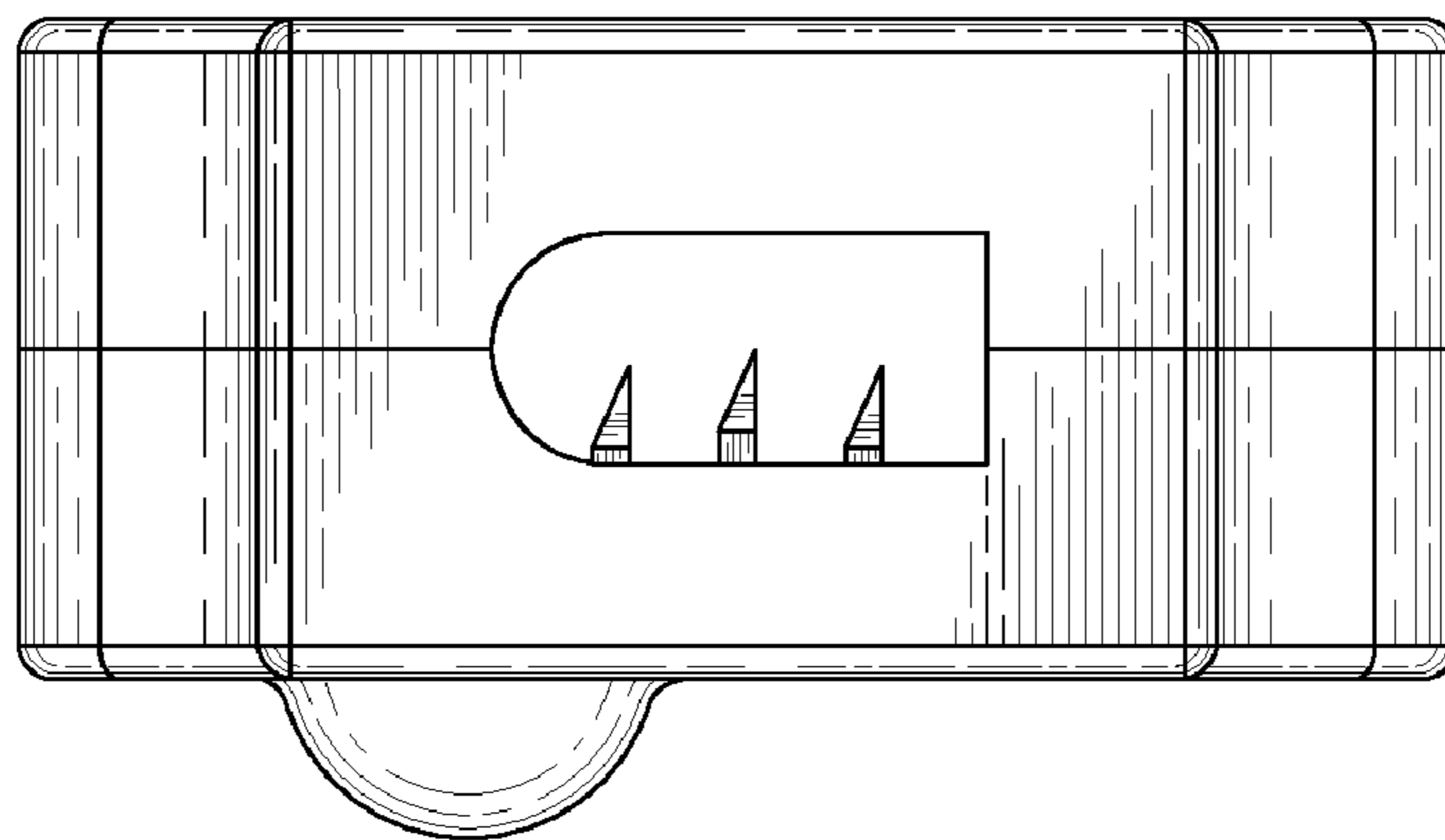


FIG. 4

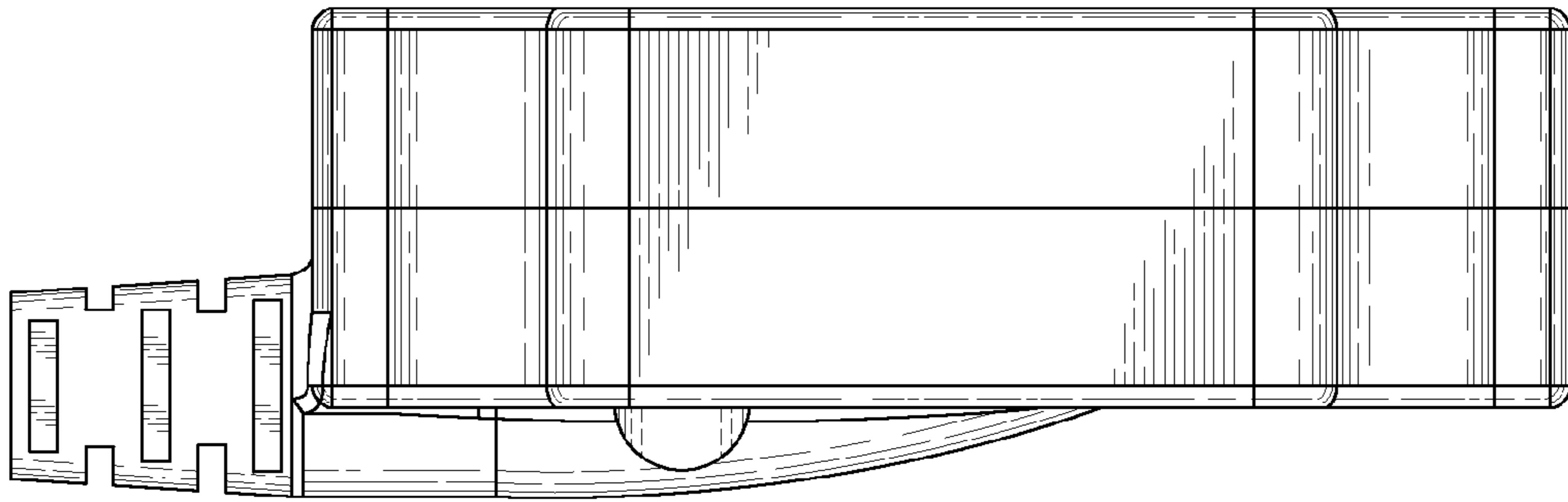


FIG. 5

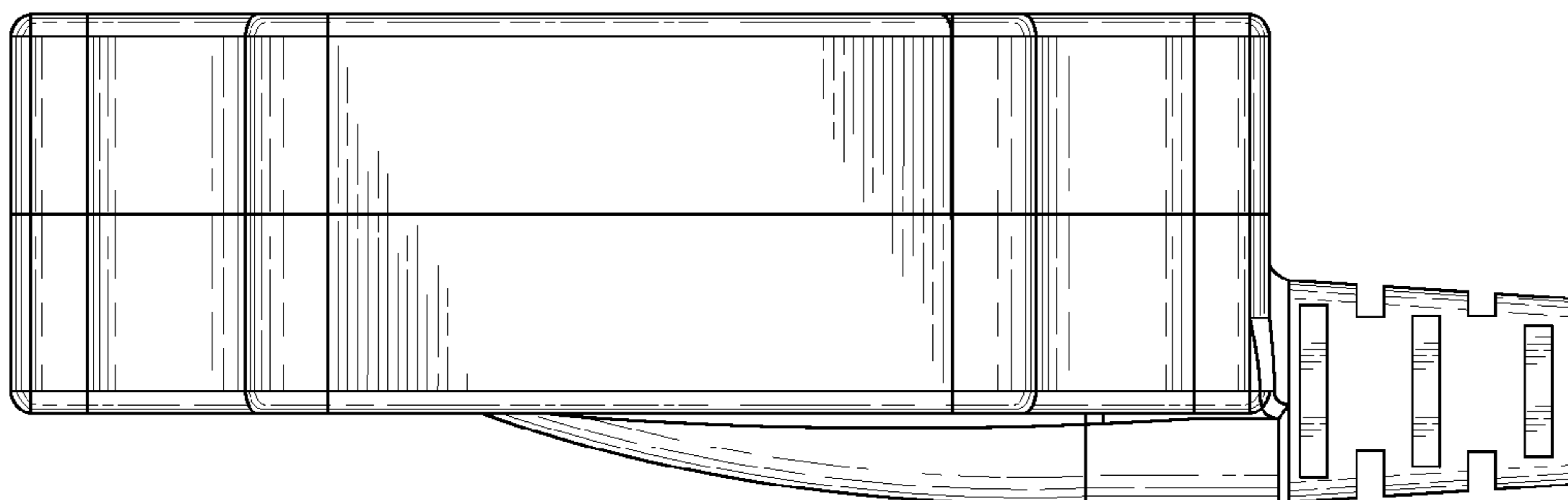


FIG. 6

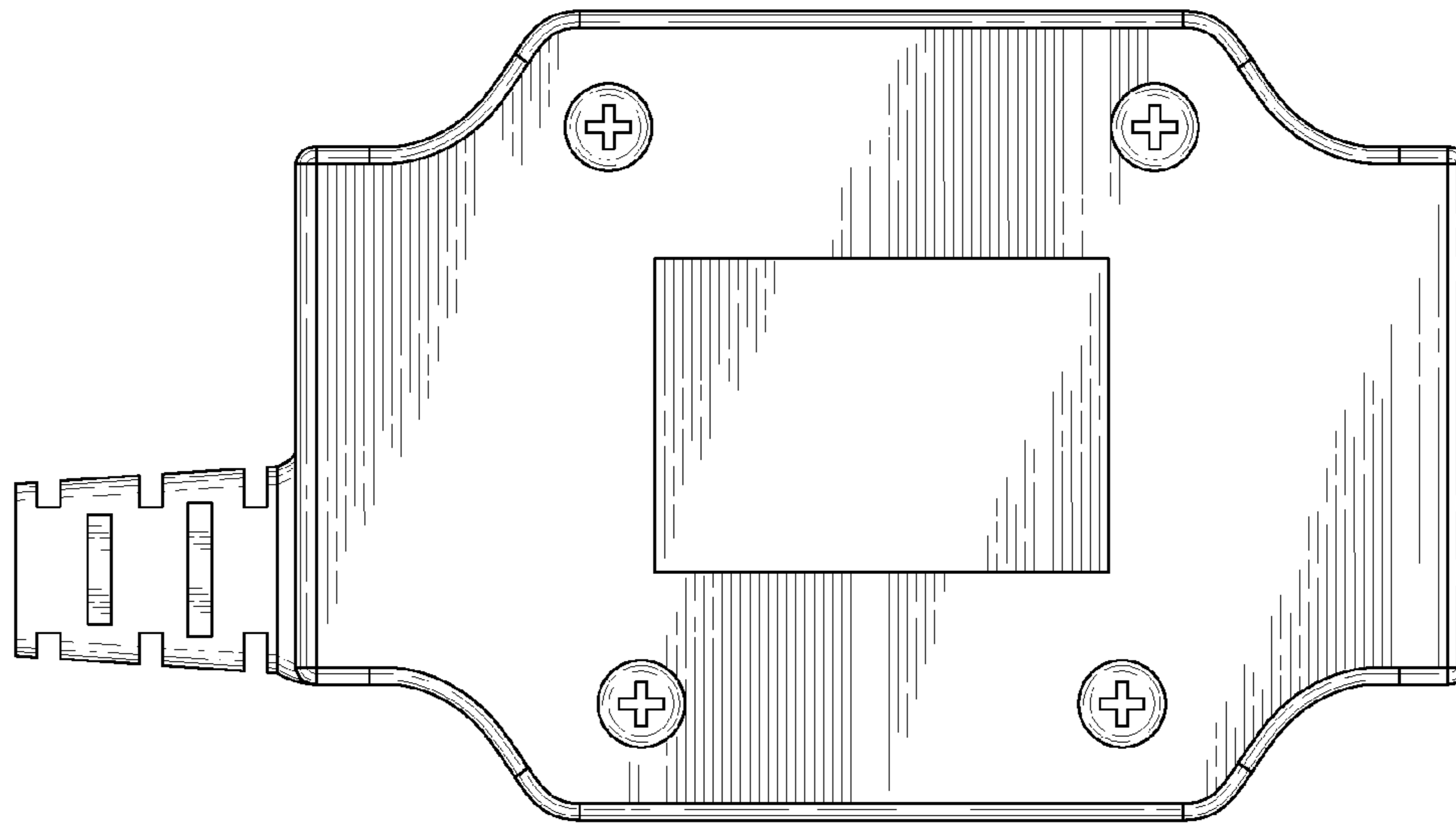


FIG. 7

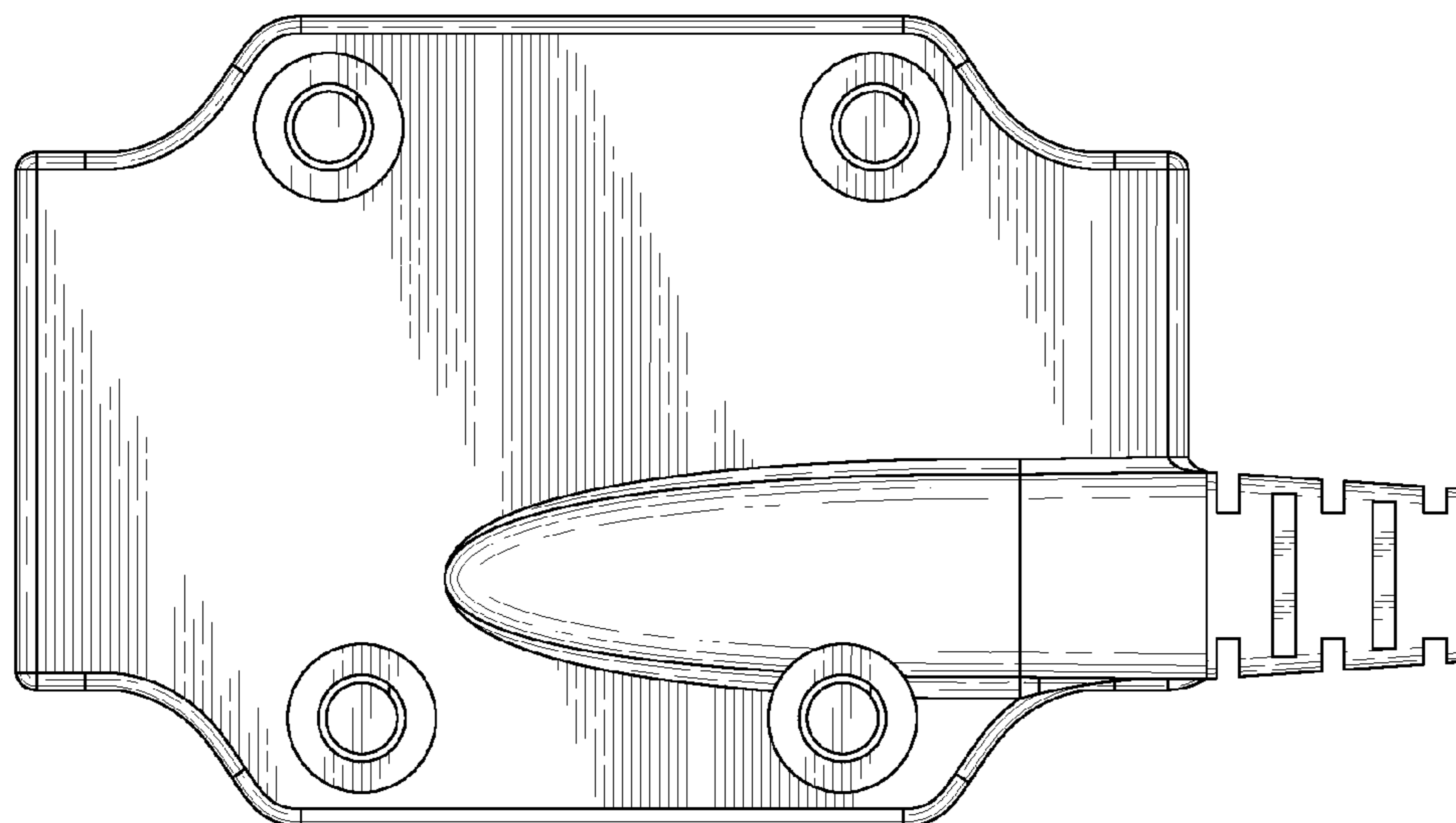


FIG. 8

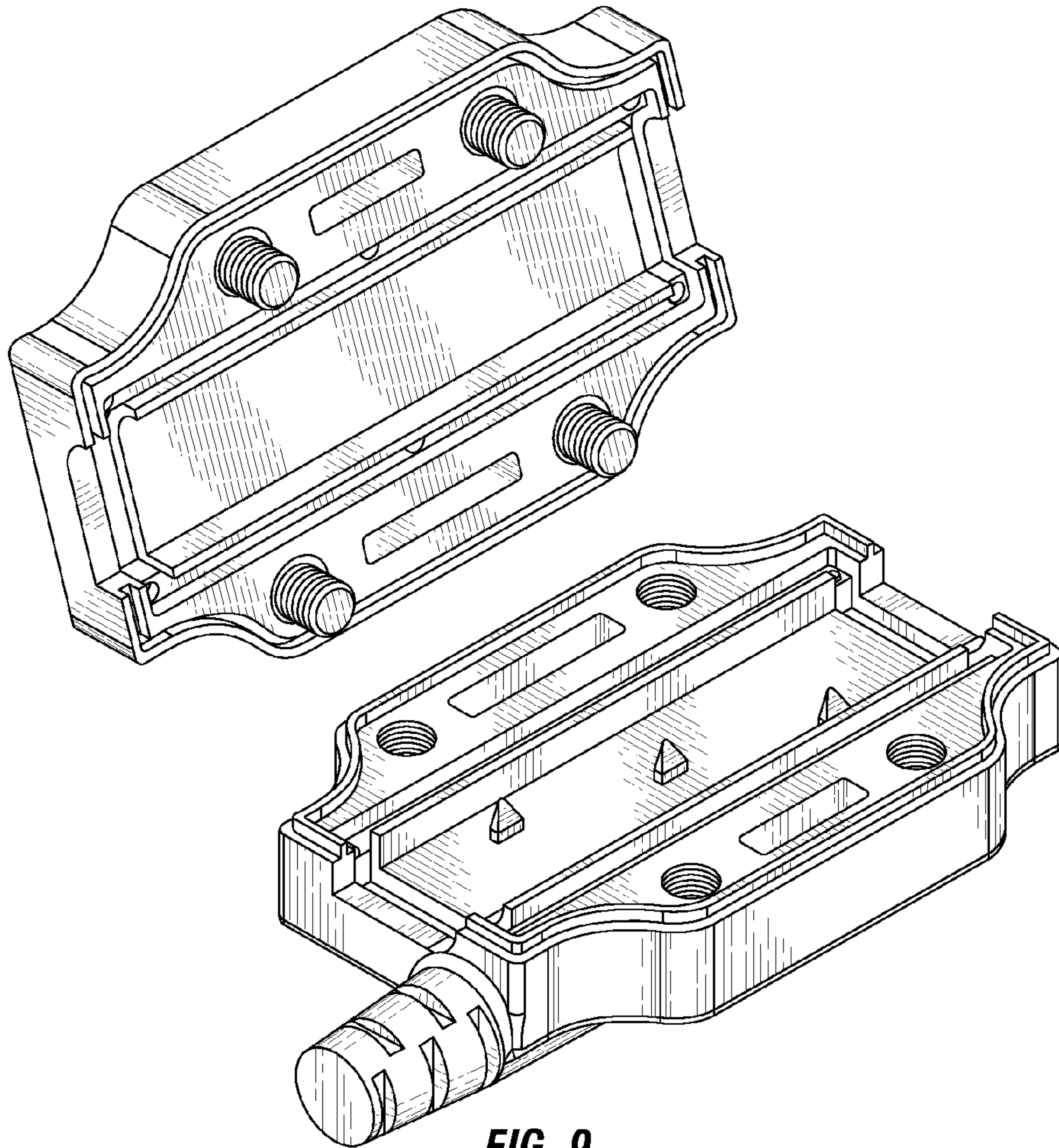


FIG. 9

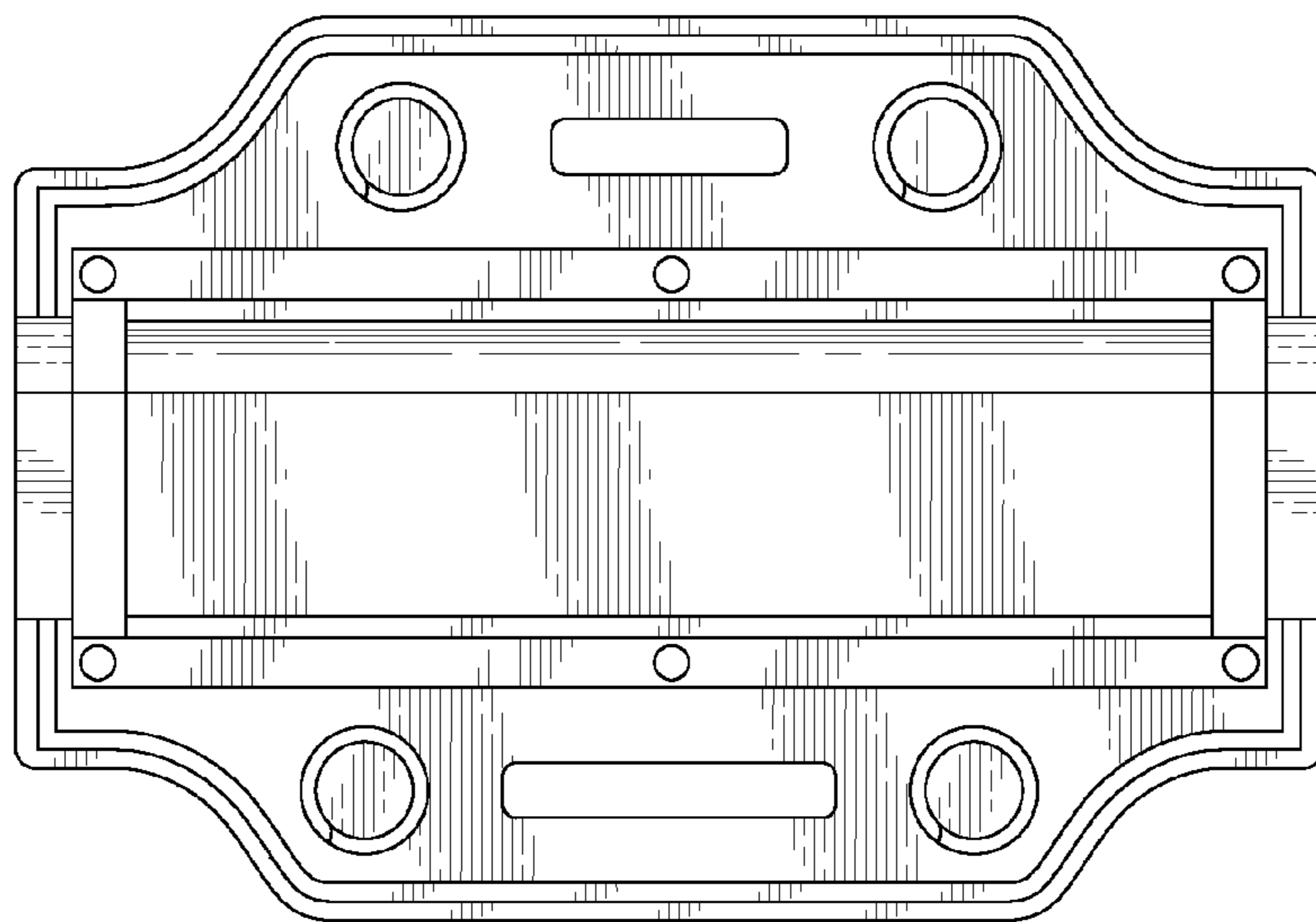


FIG. 10

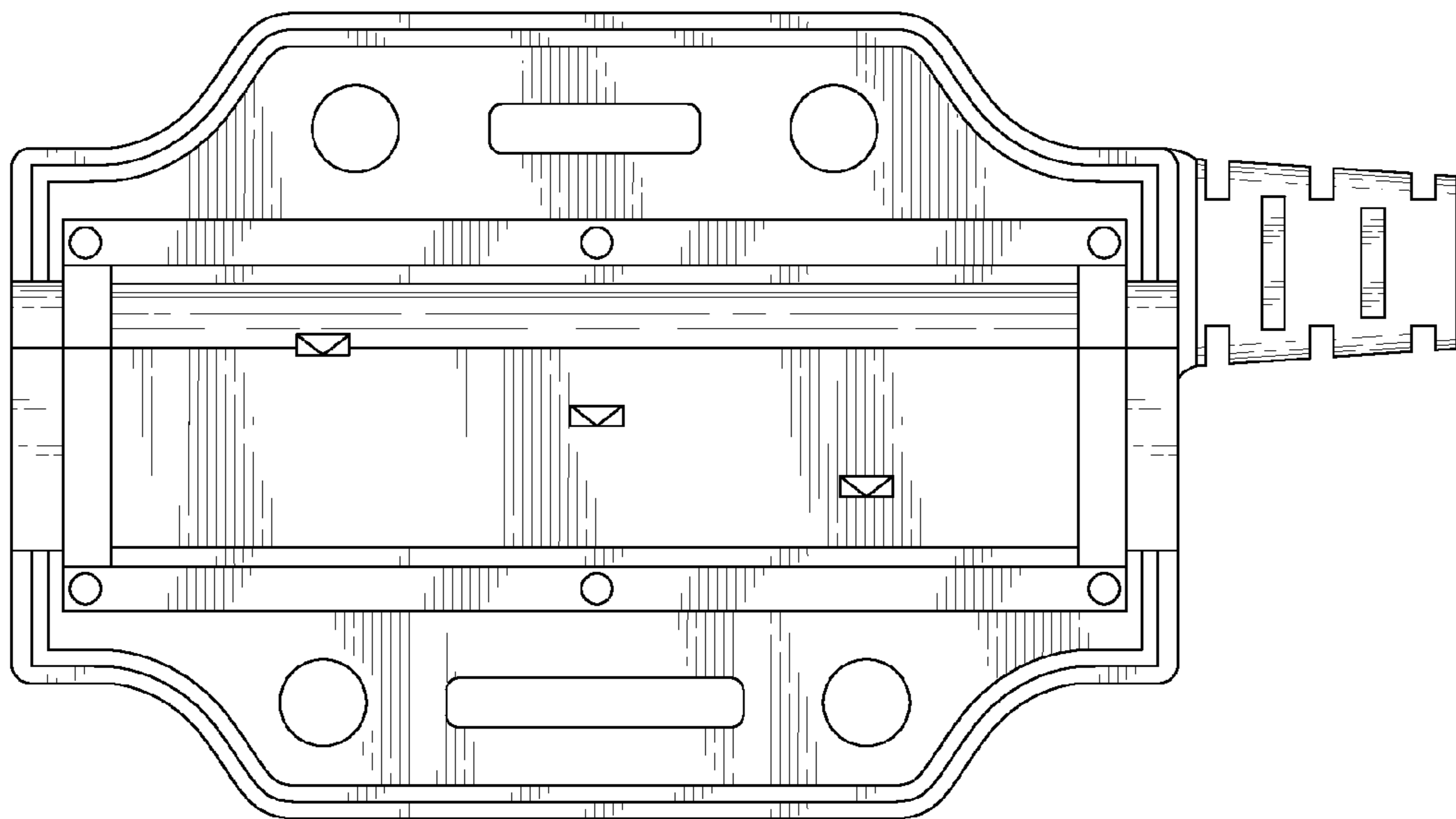


FIG. 11