



US00D621364S

(12) **United States Design Patent**
Kasahara

(10) **Patent No.:** **US D621,364 S**

(45) **Date of Patent:** **** Aug. 10, 2010**

(54) **ELECTRICAL CONNECTOR**

(75) Inventor: **Masayuki Kasahara**, Tokyo (JP)

(73) Assignee: **Honda Tsushin Kogyo Co., Ltd.**, Tokyo (JP)

(**) Term: **14 Years**

(21) Appl. No.: **29/353,202**

(22) Filed: **Jan. 5, 2010**

(30) **Foreign Application Priority Data**

Sep. 14, 2009 (JP) D2009-021188

(51) **LOC (9) Cl.** **13-03**

(52) **U.S. Cl.** **D13/147**

(58) **Field of Classification Search** D13/147,
D13/154, 184; 439/159–160, 260, 325, 329,
439/395, 492, 495, 607.01, 607.04, 607.05,
439/607.17, 607.25, 607.34, 607.41, 607.53,
439/630

See application file for complete search history.

(56) **References Cited**

U.S. PATENT DOCUMENTS

- D469,407 S * 1/2003 Wu D13/147
- D544,445 S * 6/2007 Sato et al. D13/147
- D563,876 S * 3/2008 Masubuchi et al. D13/147
- D563,889 S * 3/2008 Higeta et al. D13/147
- D576,104 S * 9/2008 Kasahara D13/147

D579,416 S * 10/2008 Kasahara D13/147

* cited by examiner

Primary Examiner—Daniel D Bui

(74) *Attorney, Agent, or Firm*—Wenderoth, Lind & Ponack, LLP.

(57) **CLAIM**

The original design for an electrical connector, as shown and described.

DESCRIPTION

FIG. 1 is a top, front and right side perspective view of an electrical connector showing my new design;

FIG. 2 is a top, rear and right side perspective view thereof;

FIG. 3 is a front elevational view thereof;

FIG. 4 is a rear elevational view thereof;

FIG. 5 is a top plan view thereof;

FIG. 6 is a bottom plan view thereof; and

FIG. 7 is a right side elevational view thereof;

FIG. 8 is a left side elevational view thereof;

FIG. 9 is an enlarged cross-sectional view thereof, taken along line 9—9 in FIG. 3;

FIG. 10 is an enlarged cross-sectional view thereof, taken along line 10—10 in FIG. 3; and,

FIG. 11 is an enlarged cross-sectional view thereof, taken along line 11—11 in FIG. 3.

1 Claim, 4 Drawing Sheets

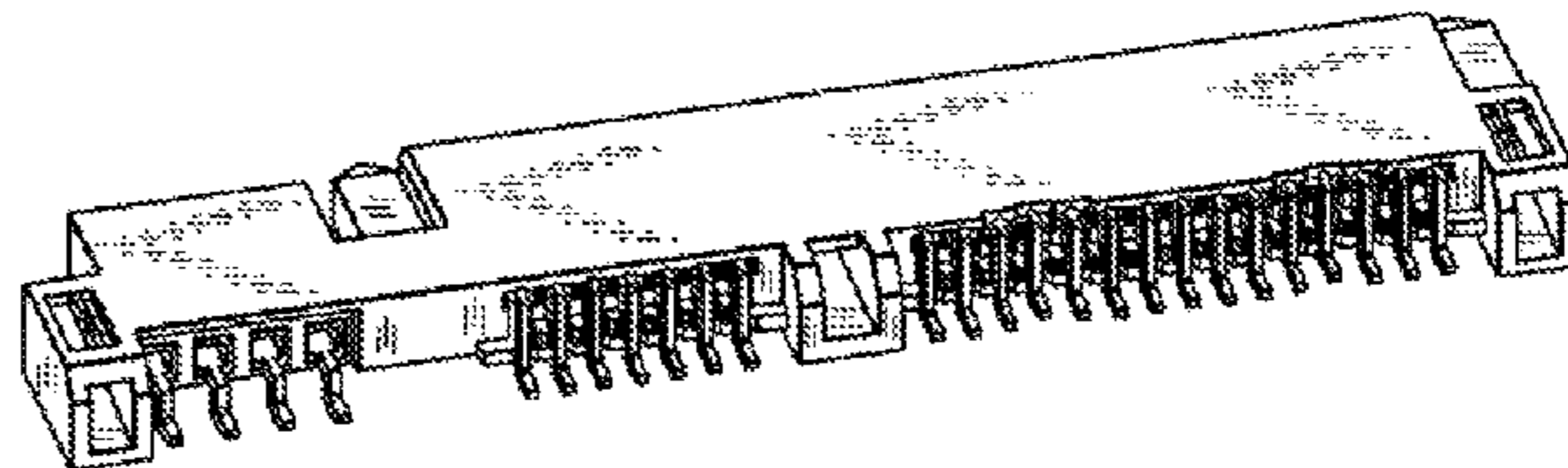
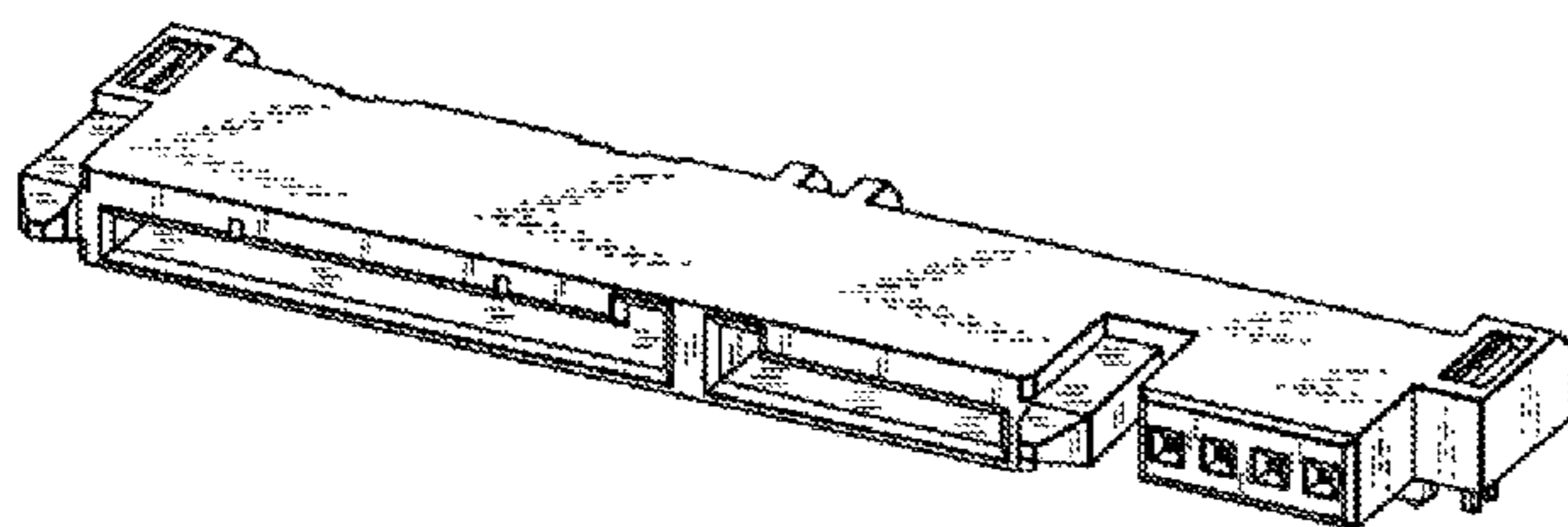


Fig. 1

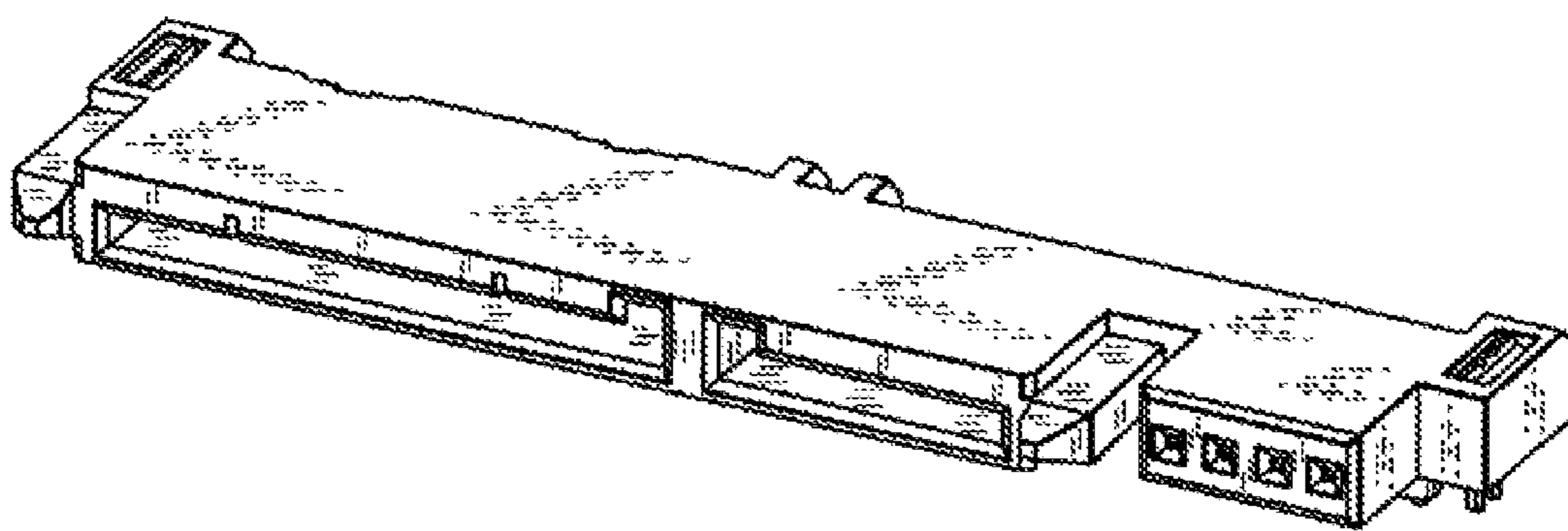


Fig. 2

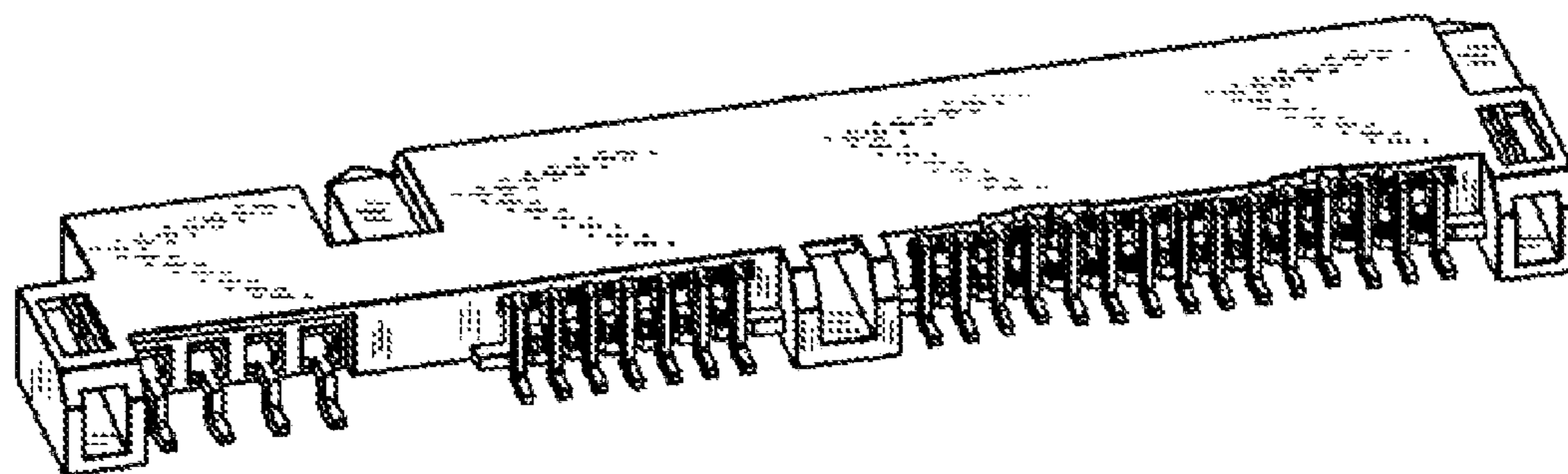


Fig. 3

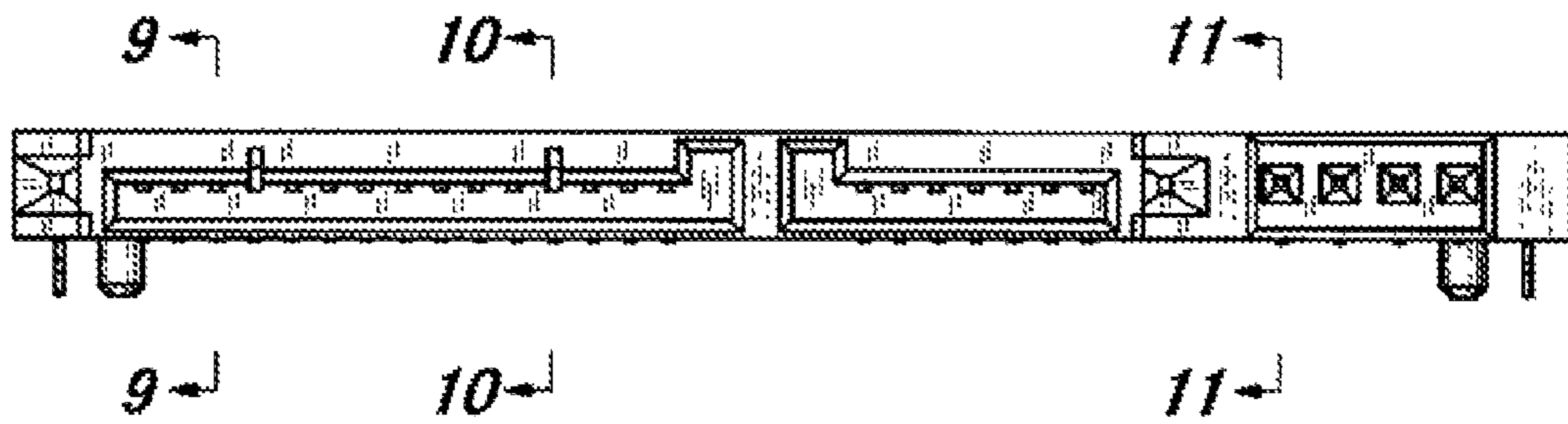


Fig. 4

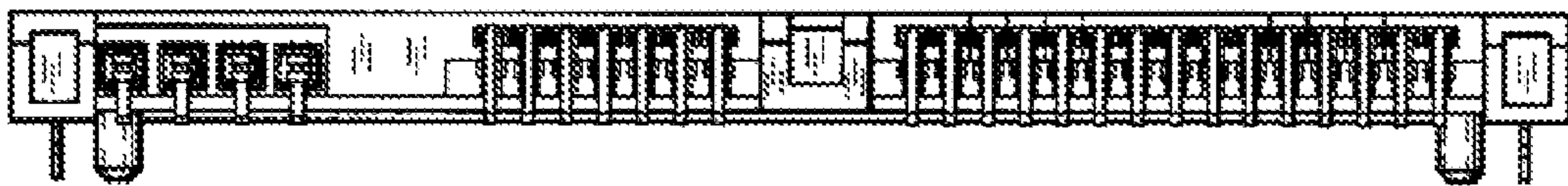


Fig. 5

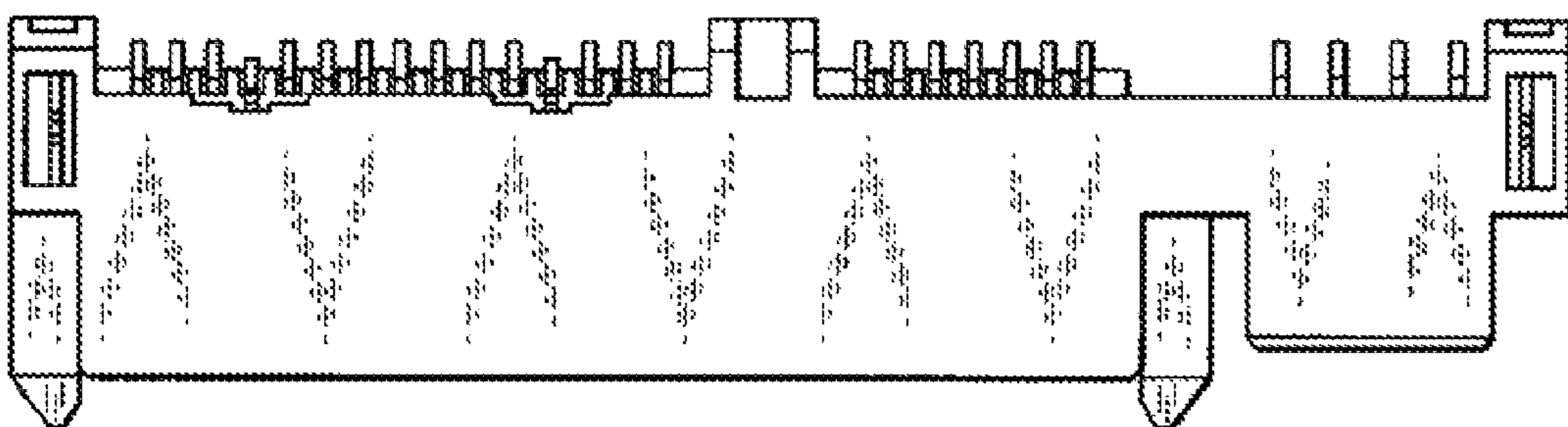


Fig. 6

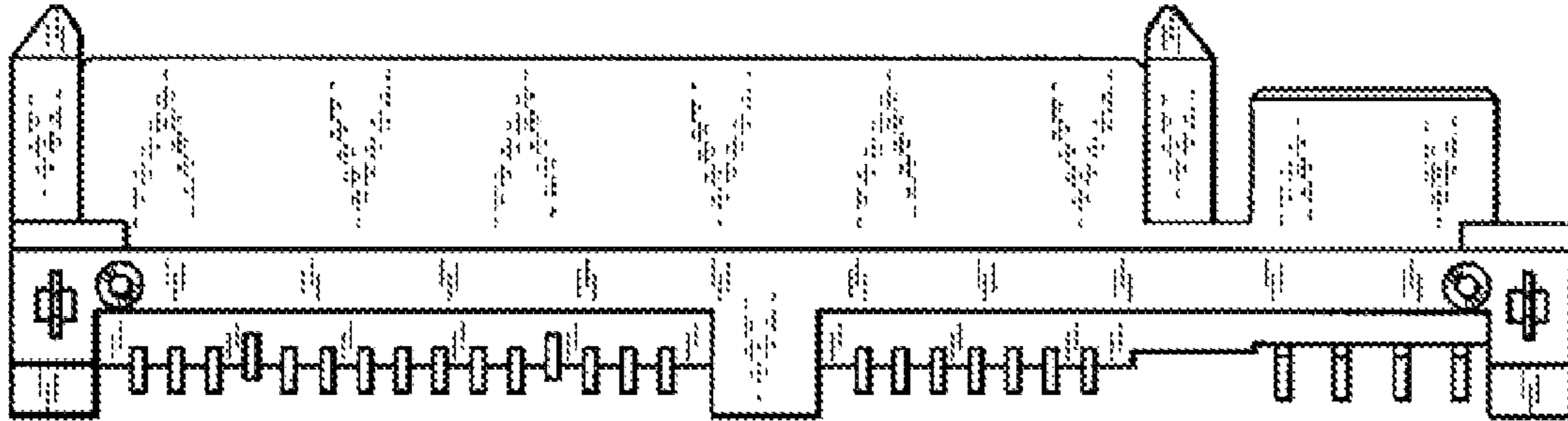


Fig. 7

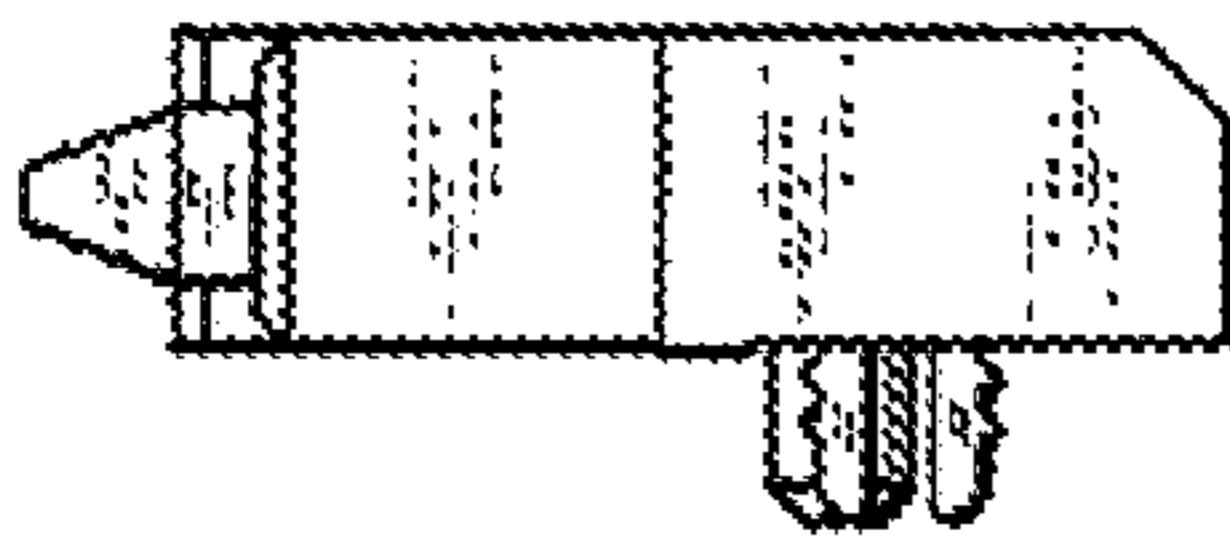


Fig. 8

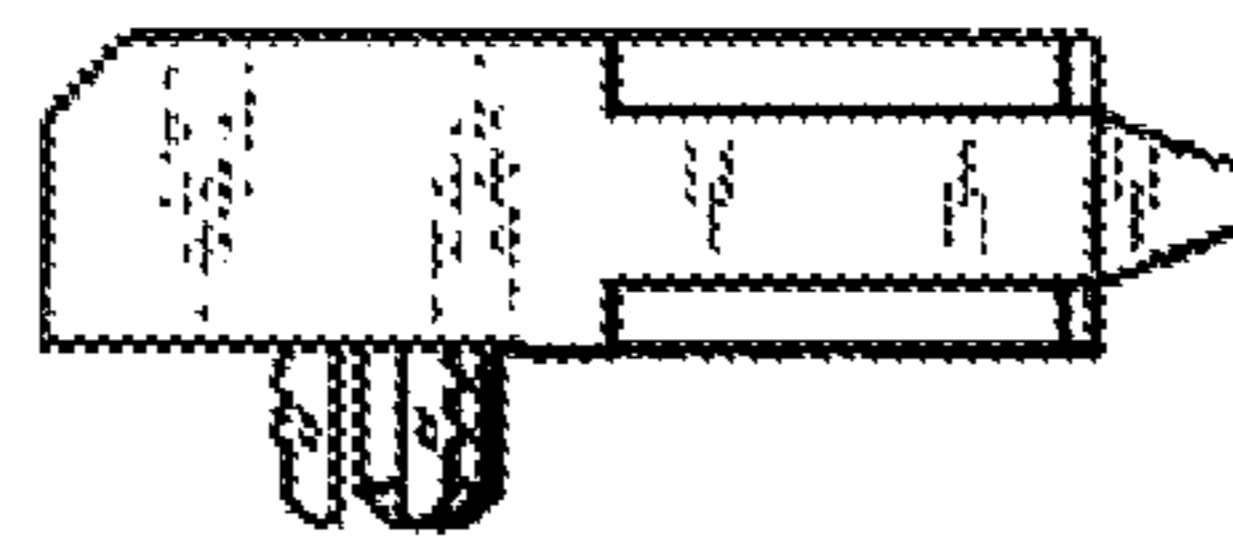


Fig. 9

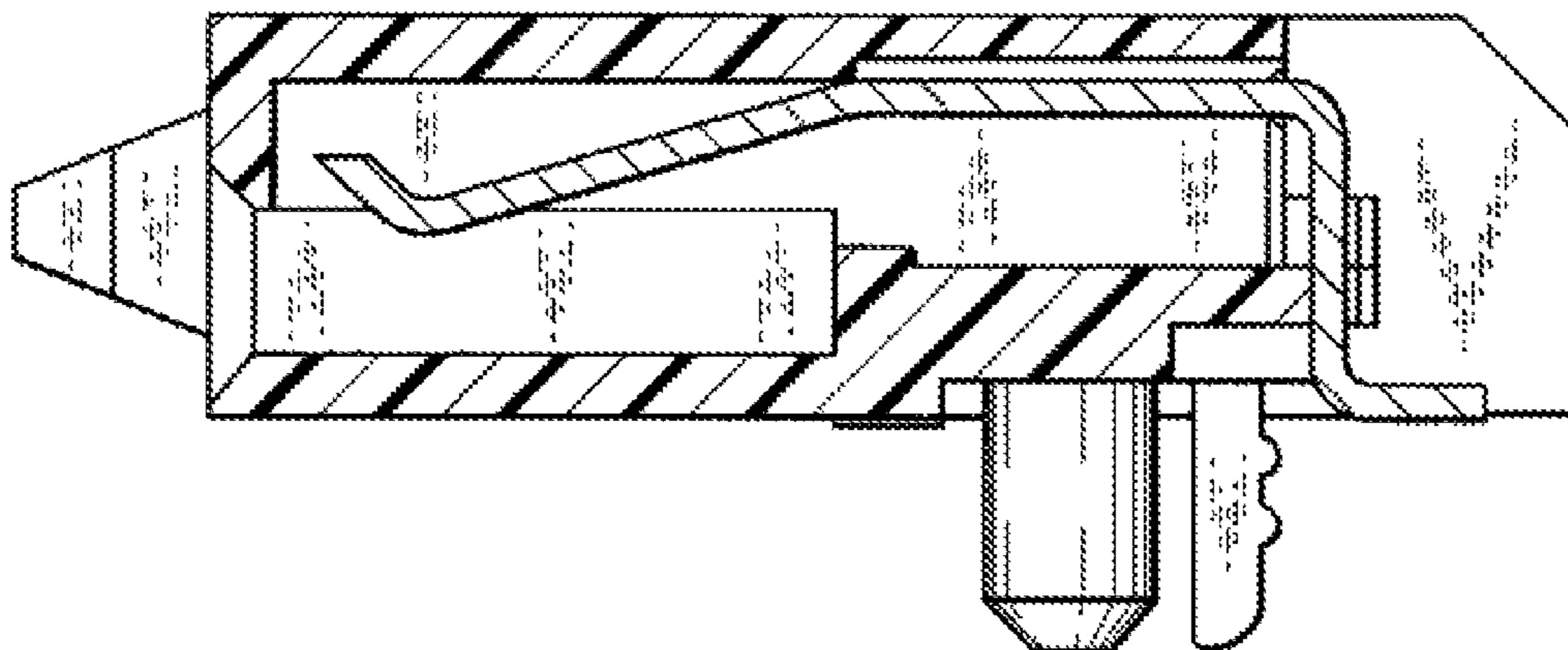


Fig. 10

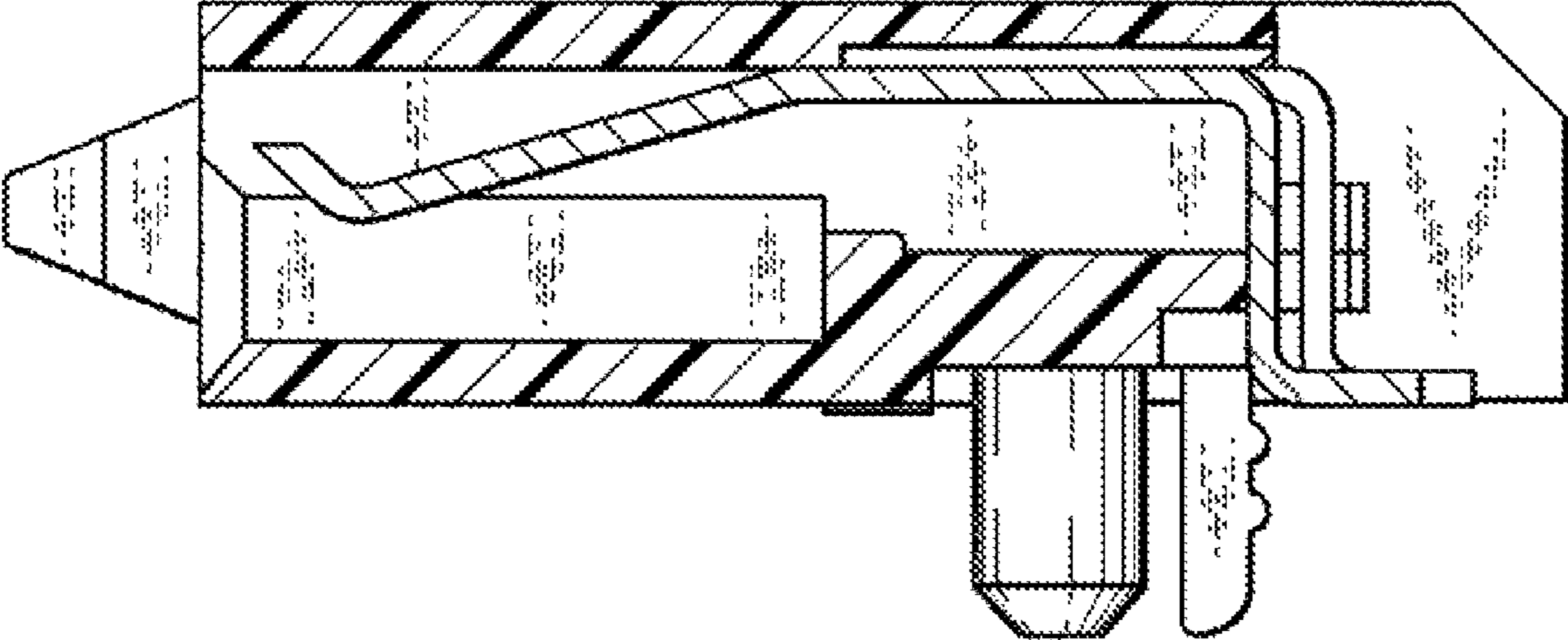


Fig. 11

