



US00D621363S

(12) **United States Design Patent**  
**Su et al.**

(10) **Patent No.:** **US D621,363 S**

(45) **Date of Patent:** **\*\* Aug. 10, 2010**

(54) **ELECTRICAL CONNECTOR ASSEMBLY**

(75) Inventors: **Ping-Sheng Su**, Tu-Cheng (TW);  
**Xue-Chao Wang**, Kunshan (CN);  
**Zhuang-Zhi Wu**, Kunshan (CN)

(73) Assignee: **Hon Hai Precision Ind. Co., Ltd.**,  
Taipei Hsien (TW)

(\*\*) Term: **14 Years**

(21) Appl. No.: **29/353,180**

(22) Filed: **Jan. 4, 2010**

(30) **Foreign Application Priority Data**

Jul. 20, 2009 (CN) ..... 2009 3 0309677

(51) **LOC (9) Cl.** ..... **13-03**

(52) **U.S. Cl.** ..... **D13/147**

(58) **Field of Classification Search** ..... D13/147,  
D13/153, 154, 184; 439/350, 352, 358, 447,  
439/578, 584-585, 607-610, 668, 680, 682,  
439/686

See application file for complete search history.

(56) **References Cited**

**U.S. PATENT DOCUMENTS**

D513,408 S \* 1/2006 Suckle ..... D13/154

D590,346 S \* 4/2009 Wu et al. .... D13/147  
D596,574 S \* 7/2009 Huang ..... D13/147  
D603,339 S \* 11/2009 Zhao et al. .... D13/147  
D605,131 S \* 12/2009 Zhao et al. .... D13/147  
D609,188 S \* 2/2010 Lee et al. .... D13/147  
D610,547 S \* 2/2010 Zhao et al. .... D13/147

\* cited by examiner

*Primary Examiner*—Daniel D Bui

(74) *Attorney, Agent, or Firm*—Wei Te Chung; Andrew C. Cheng; Ming Chieh Chang

(57) **CLAIM**

The ornamental design for an electrical connector assembly, as shown.

**DESCRIPTION**

FIG. 1 is a front, top and right side perspective view of an electrical connector assembly showing our new design;

FIG. 2 is a front elevational view thereof;

FIG. 3 is a rear elevational view thereof;

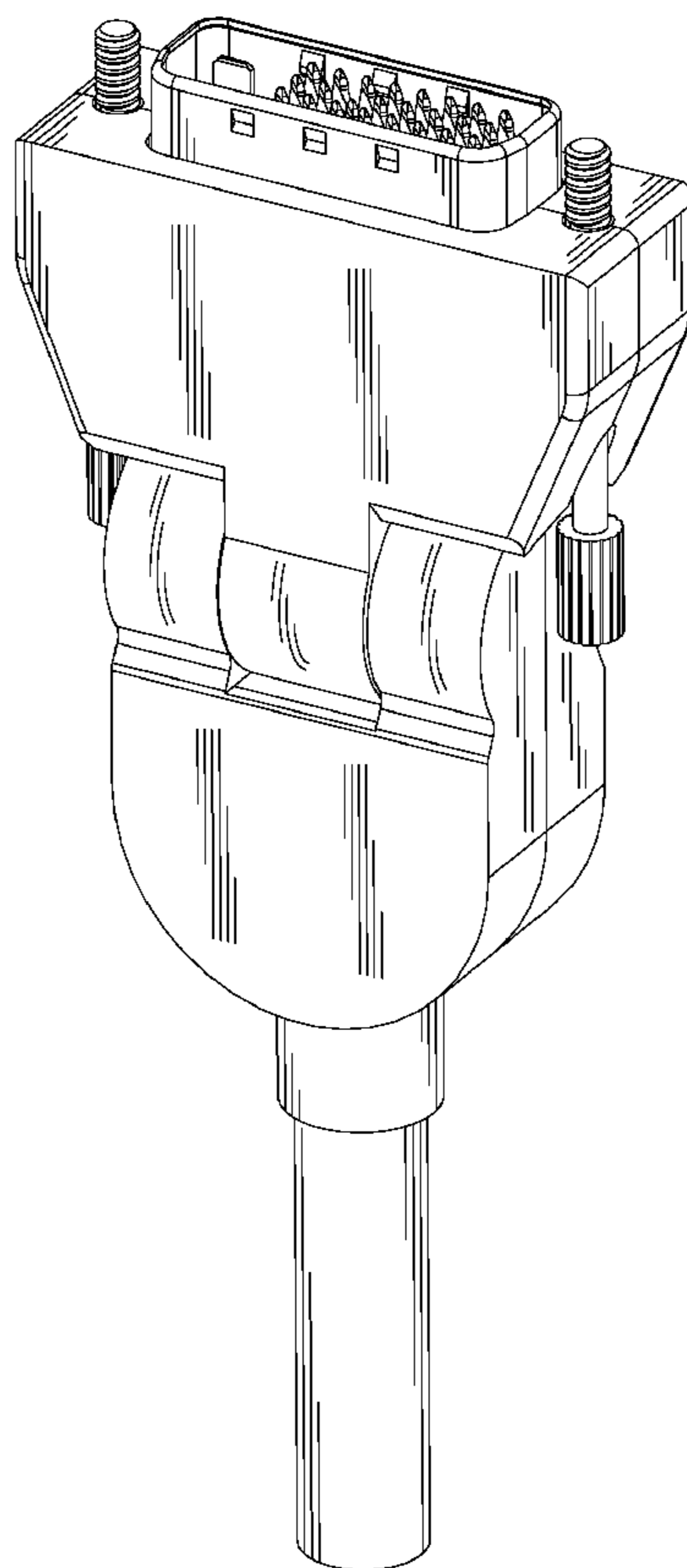
FIG. 4 is a left side elevational view thereof;

FIG. 5 is a right side elevational view thereof;

FIG. 6 is a top plan view thereof; and,

FIG. 7 is a bottom plan view thereof.

**1 Claim, 7 Drawing Sheets**



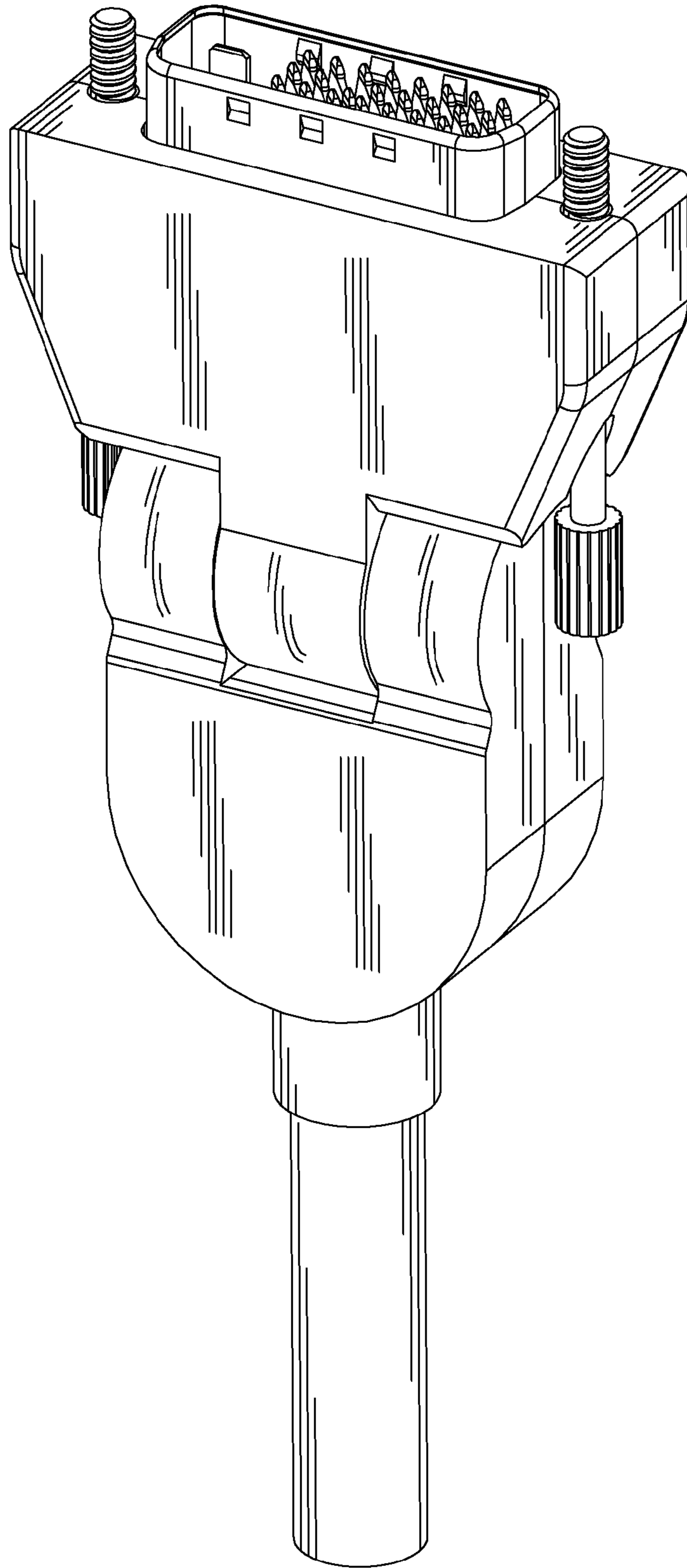


FIG. 1

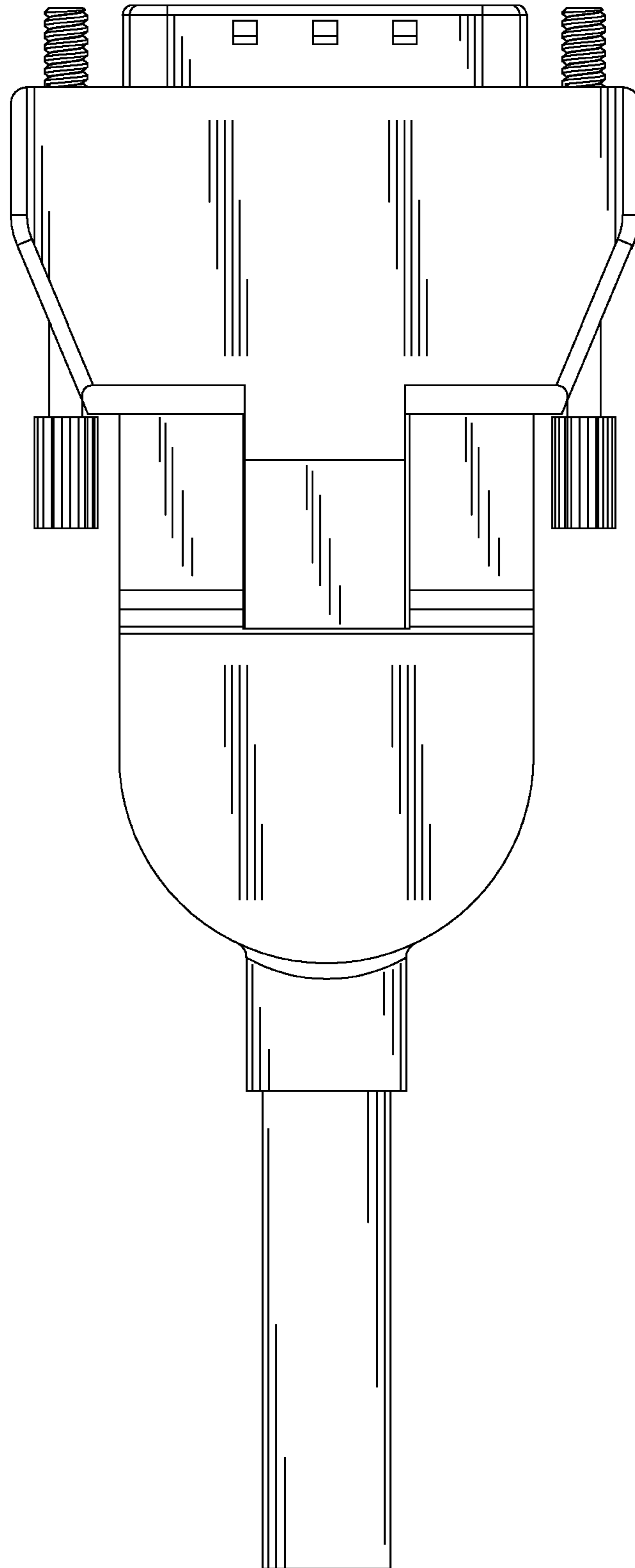


FIG. 2

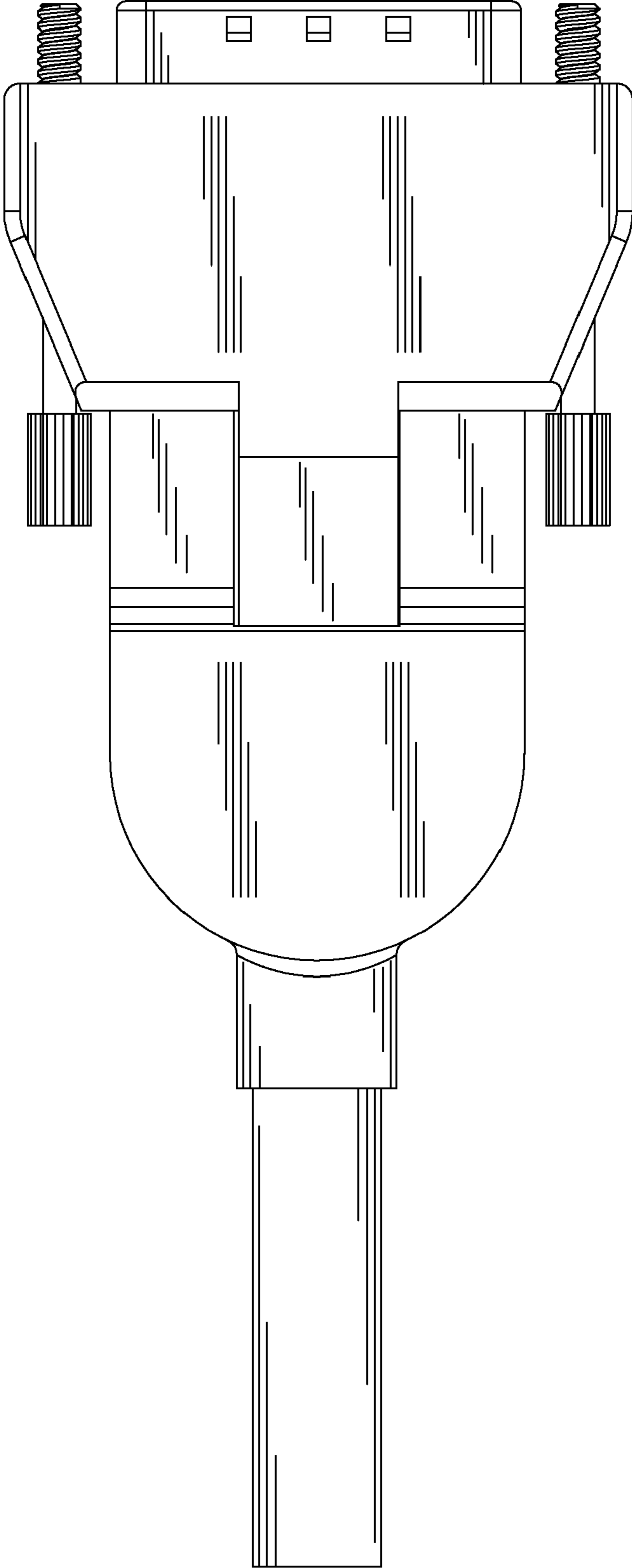


FIG. 3

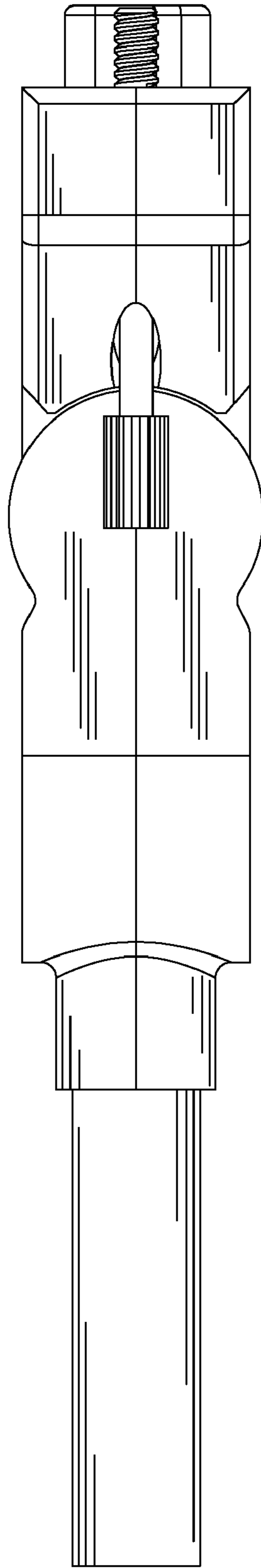


FIG. 4

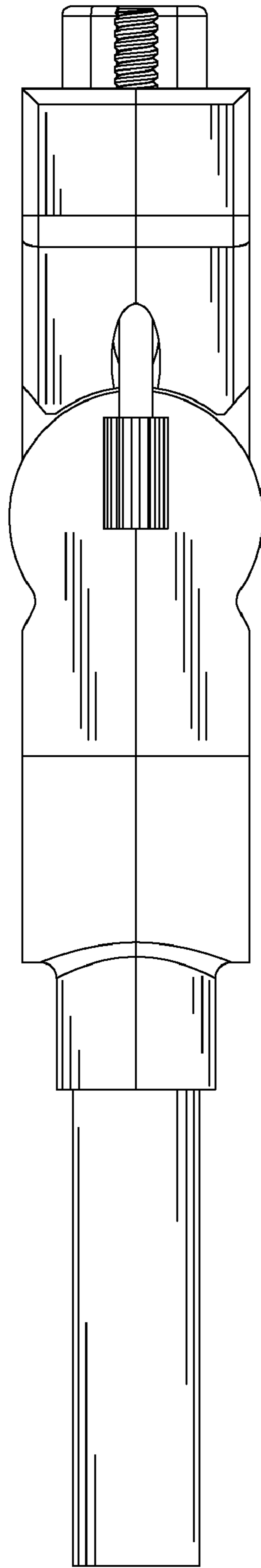


FIG. 5

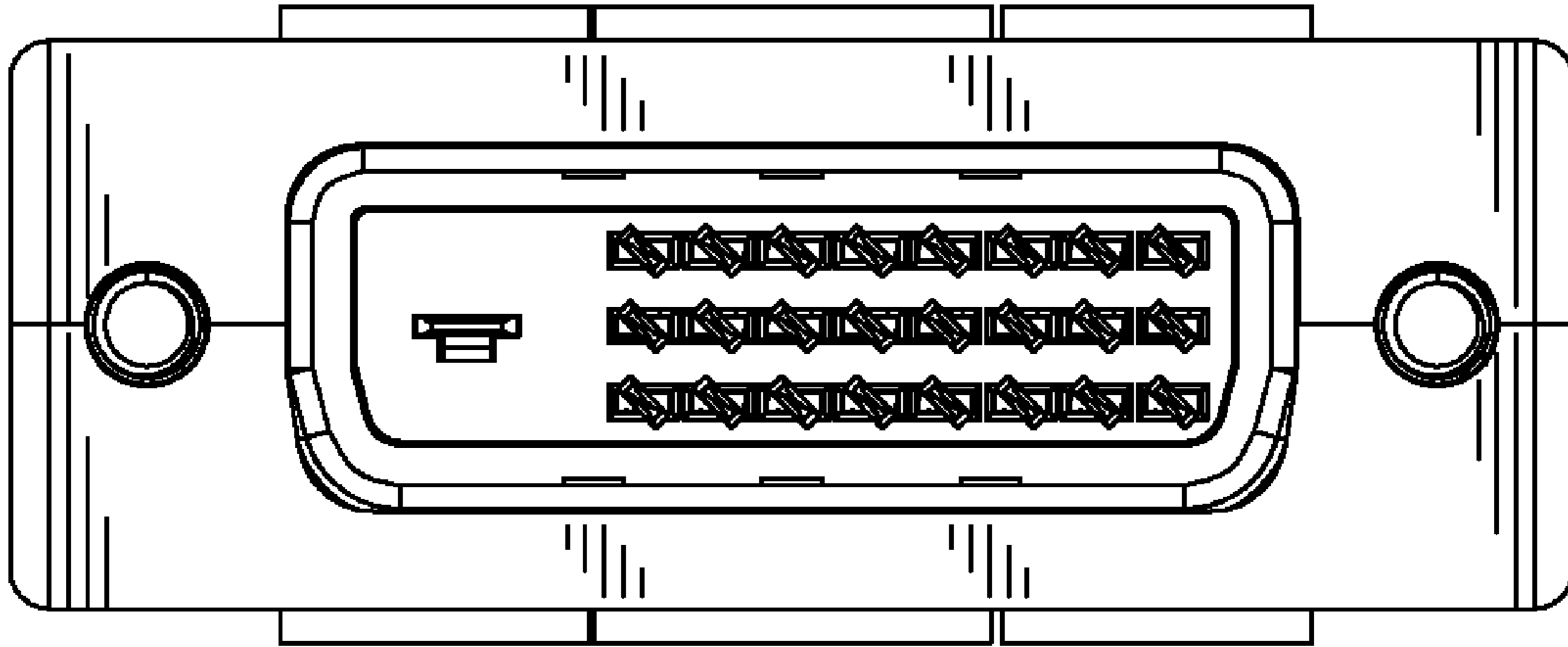


FIG. 6

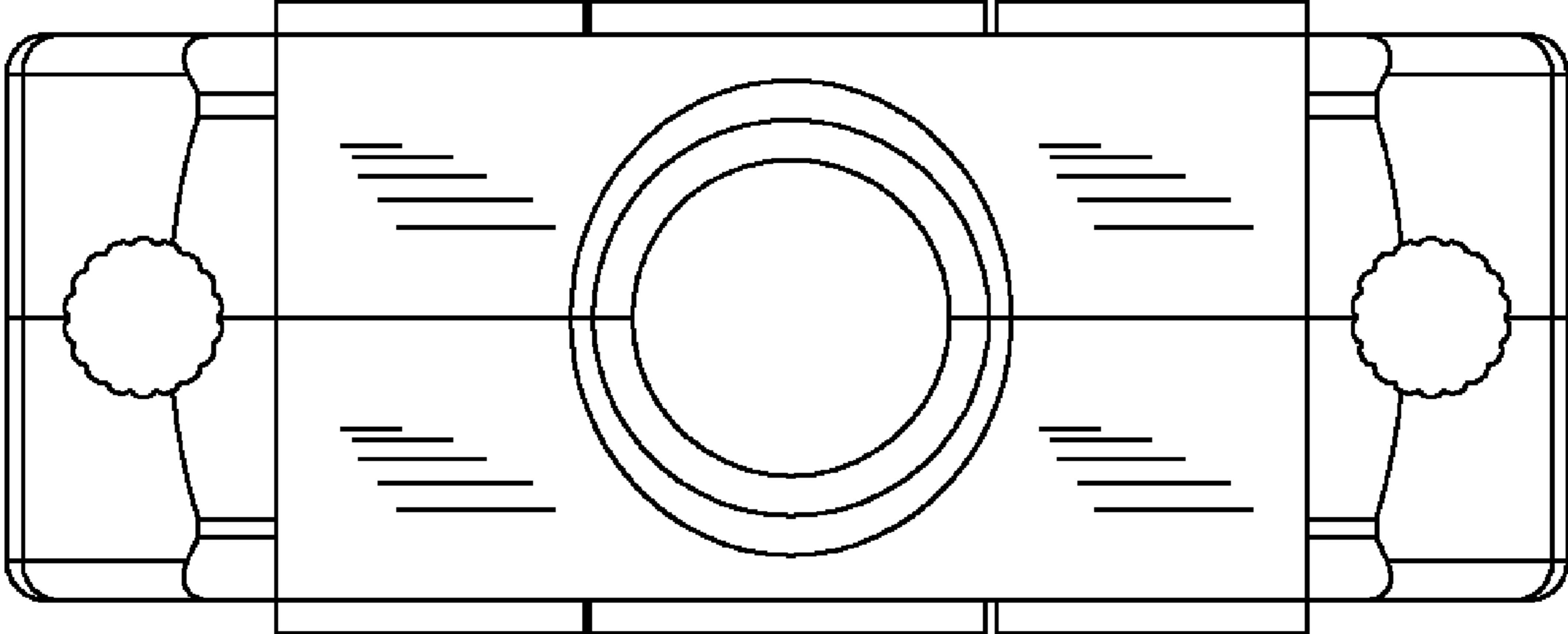


FIG. 7