



US00D621361S

(12) **United States Design Patent**
Huang et al.

(10) **Patent No.:** **US D621,361 S**

(45) **Date of Patent:** **** Aug. 10, 2010**

(54) **CABLE ASSEMBLY**

(75) Inventors: **Chien-Hsun Huang**, Tu-Cheng (TW);
Zhi-Guo Wang, Kunshan (CN);
Yang-Chu Guo, Kunshan (CN);
Chun-Guang Wan, Kunshan (CN);
Zhi-Feng Lin, Kunshan (CN)

(73) Assignee: **Hon Hai Precision Inc. Co., Ltd.**,
Taipei Hsien (TW)

(**) Term: **14 Years**

(21) Appl. No.: **29/344,507**

(22) Filed: **Sep. 30, 2009**

(30) **Foreign Application Priority Data**

Mar. 31, 2009 (CN) 2009 3 0302061

(51) **LOC (9) Cl.** **13-03**

(52) **U.S. Cl.** **D13/147**

(58) **Field of Classification Search** D13/147,
D13/154, 184; 439/350, 352, 358, 447, 578,
439/584-585, 607-610, 668, 680, 682, 686
See application file for complete search history.

(56) **References Cited**

U.S. PATENT DOCUMENTS

5,192,226 A * 3/1993 Wang 439/502

D411,513 S * 6/1999 Wu et al. D13/147
D442,553 S * 5/2001 Urban et al. D13/153
D473,521 S * 4/2003 Mavreas D13/147
D610,095 S * 2/2010 Wu et al. D13/147

* cited by examiner

Primary Examiner—Daniel D Bui

(74) *Attorney, Agent, or Firm*—Wei Te Chung; Andrew C. Cheng; Ming Chieh Chang

(57) **CLAIM**

The ornamental design for a cable assembly, as shown described.

DESCRIPTION

FIG. 1 is a front, top and right side perspective view of a cable assembly, showing our new design;

FIG. 2 is a front elevational view thereof;

FIG. 3 is a rear elevational view thereof;

FIG. 4 is a left side elevational view thereof;

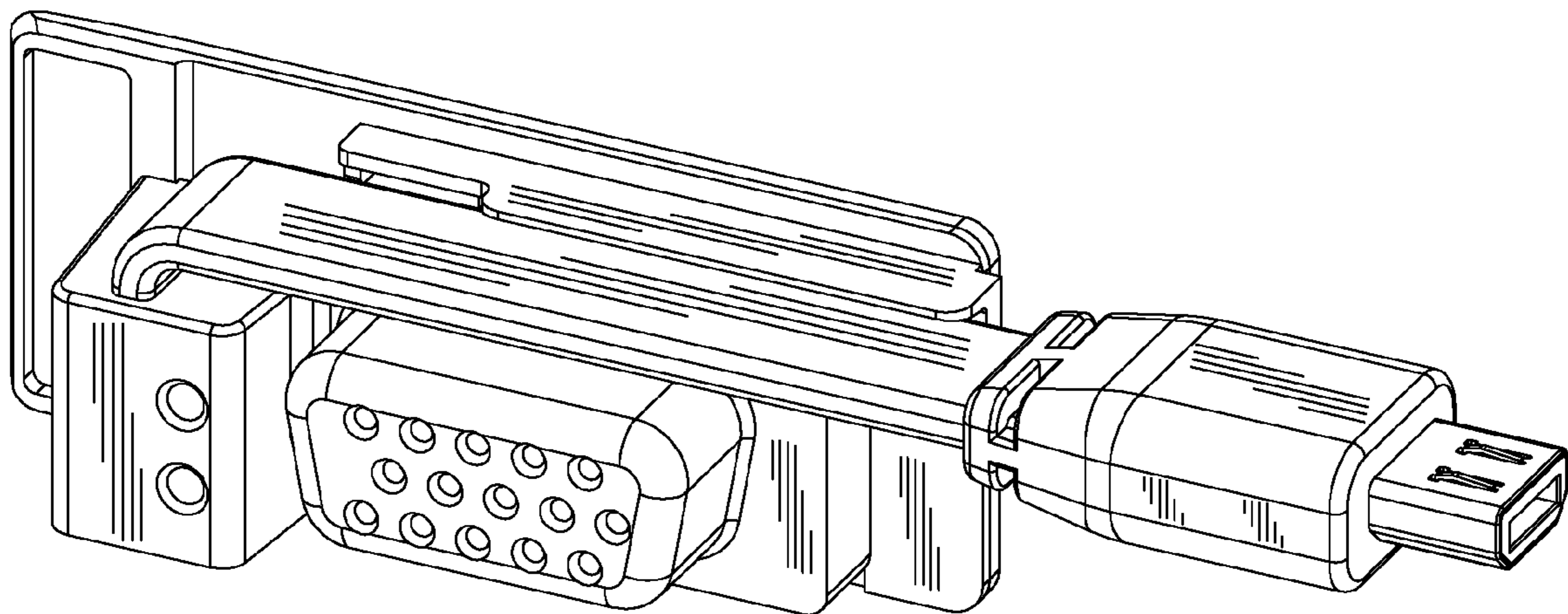
FIG. 5 is a right side elevational view thereof;

FIG. 6 is a top plan view thereof;

FIG. 7 is a bottom plan view thereof; and,

FIG. 8 is a front, top and right side perspective view thereof, in a different configuration.

1 Claim, 8 Drawing Sheets



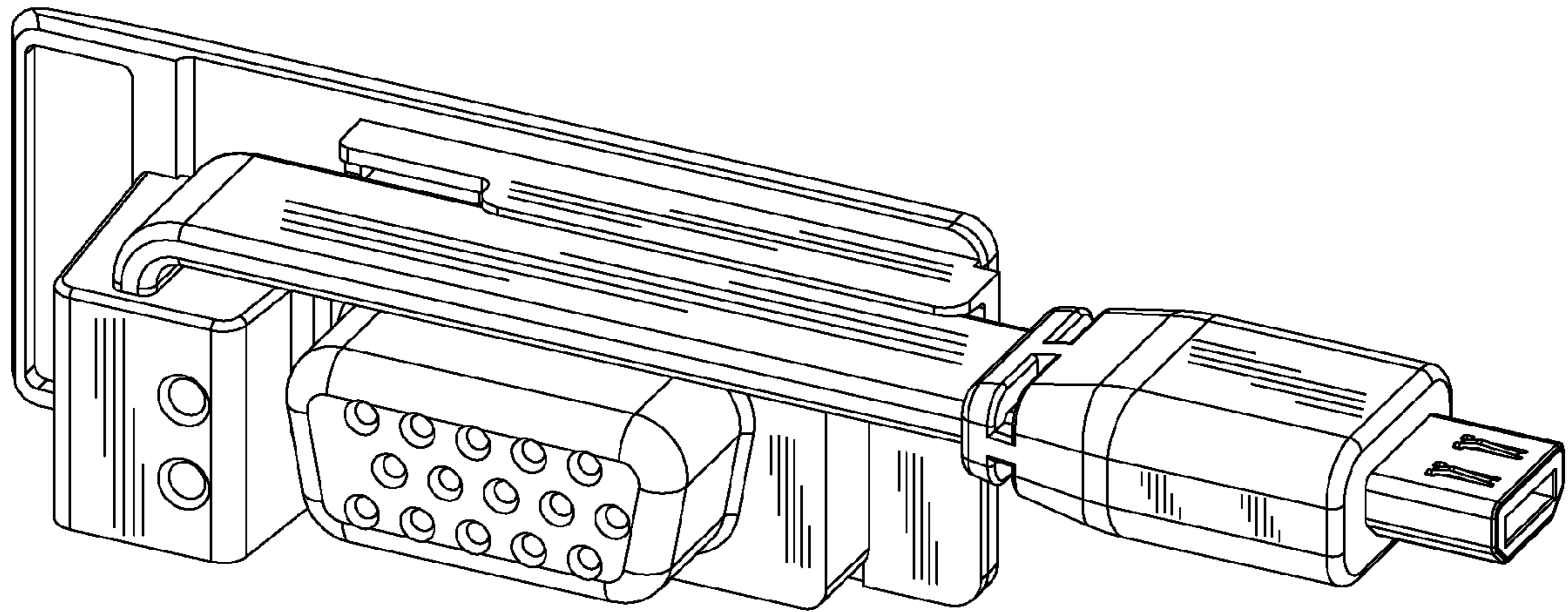


FIG. 1

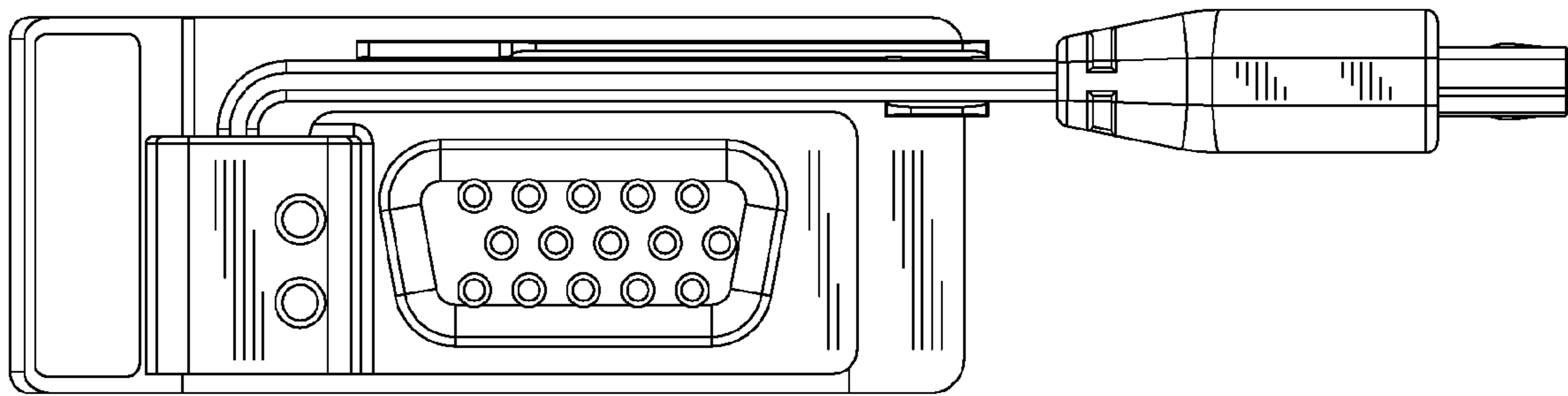


FIG. 2

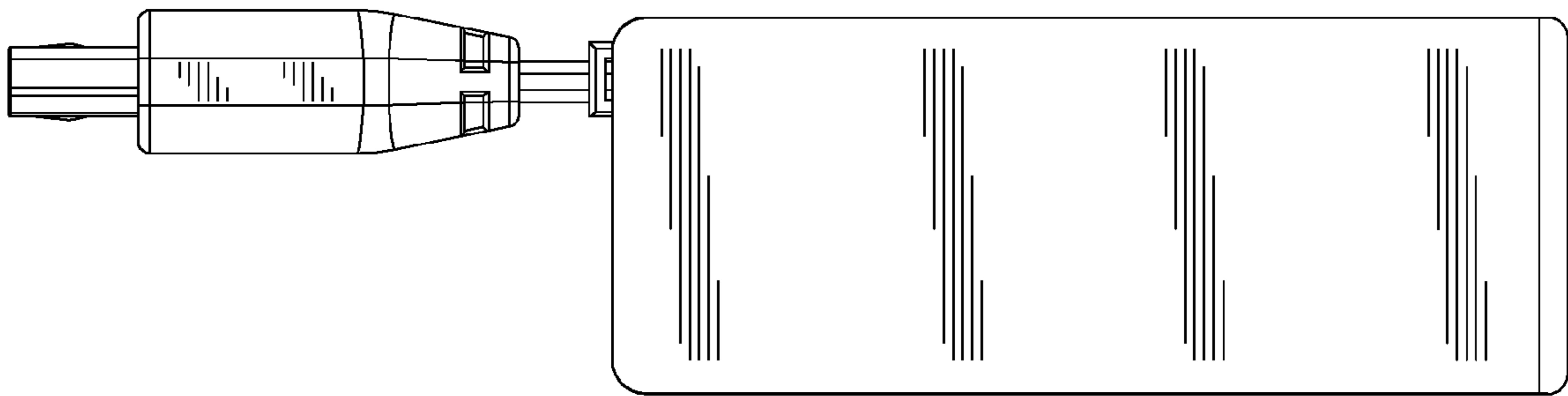


FIG. 3

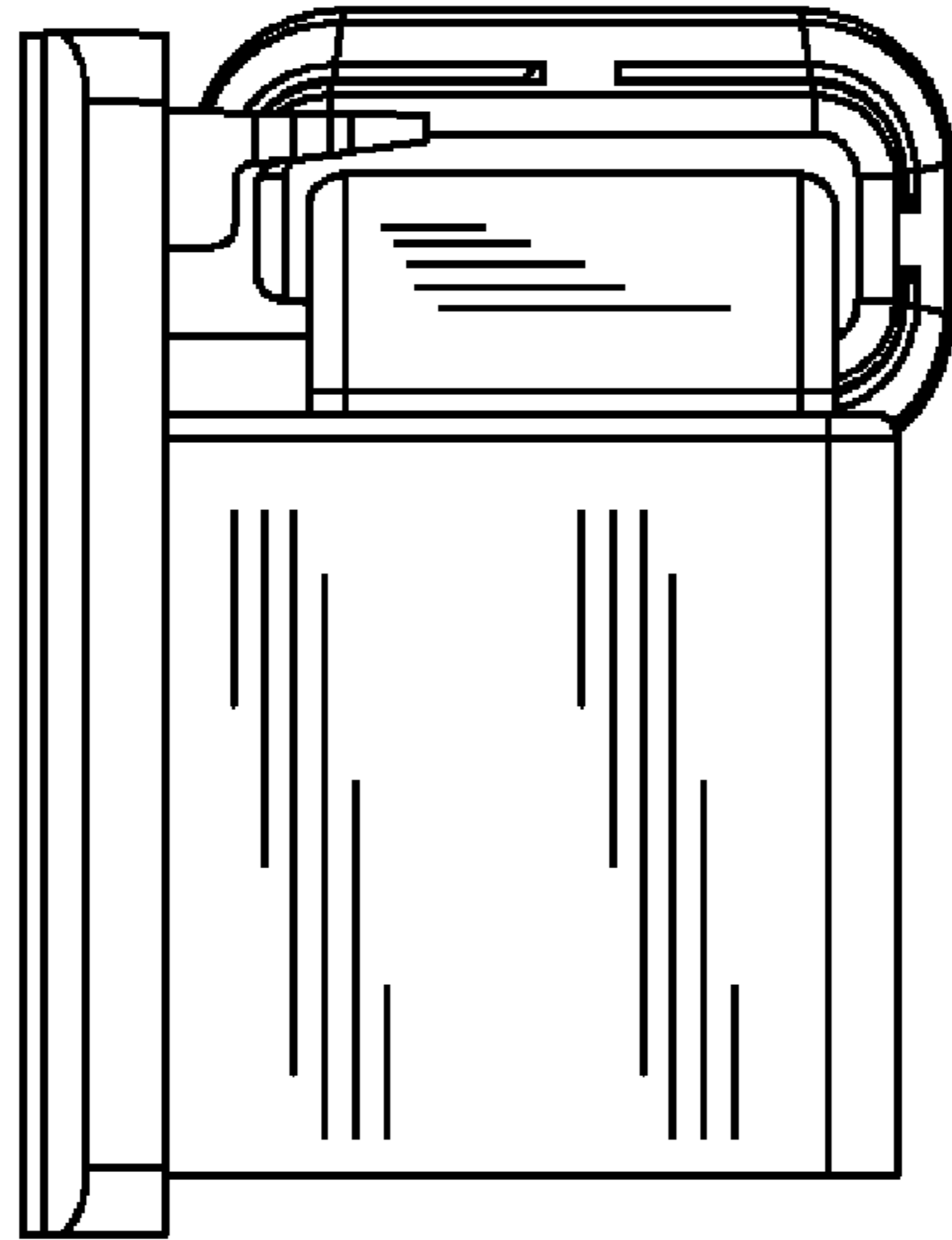


FIG. 4

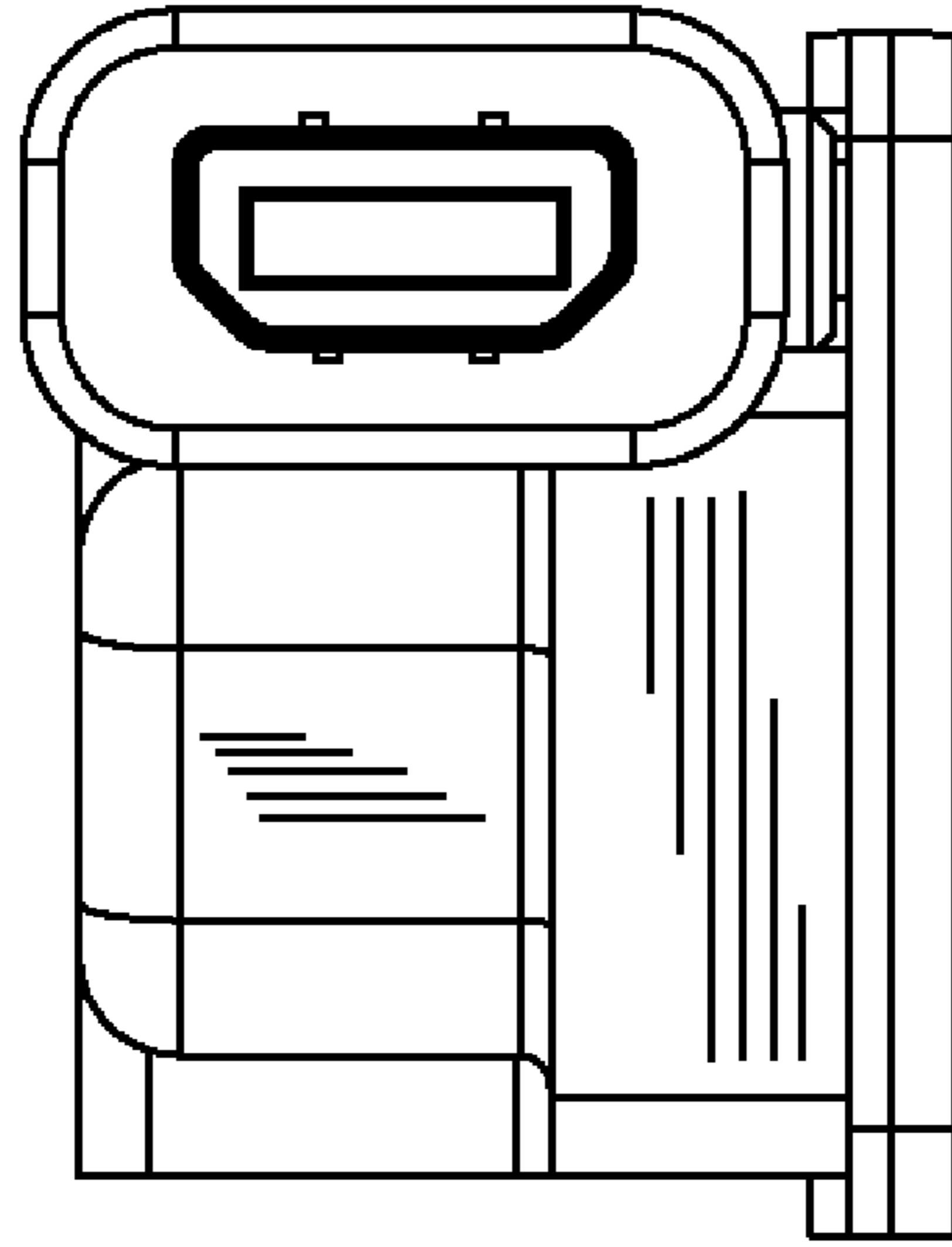


FIG. 5

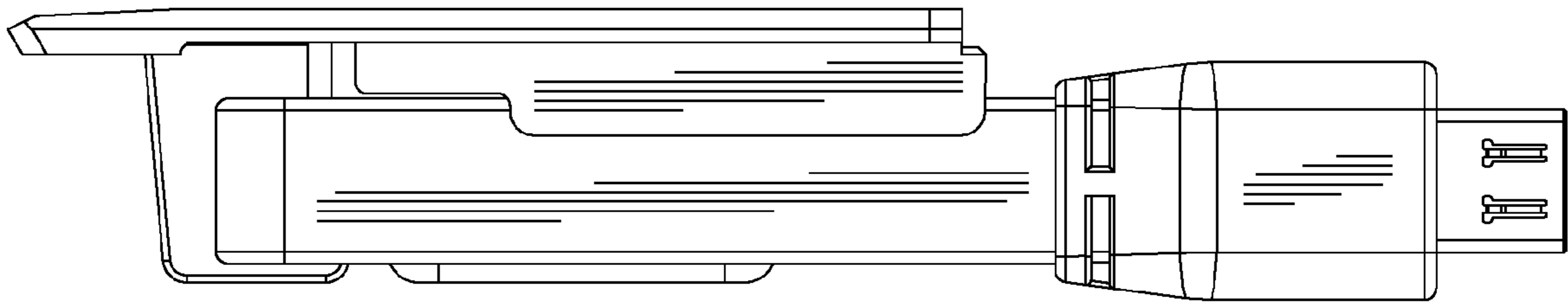


FIG. 6

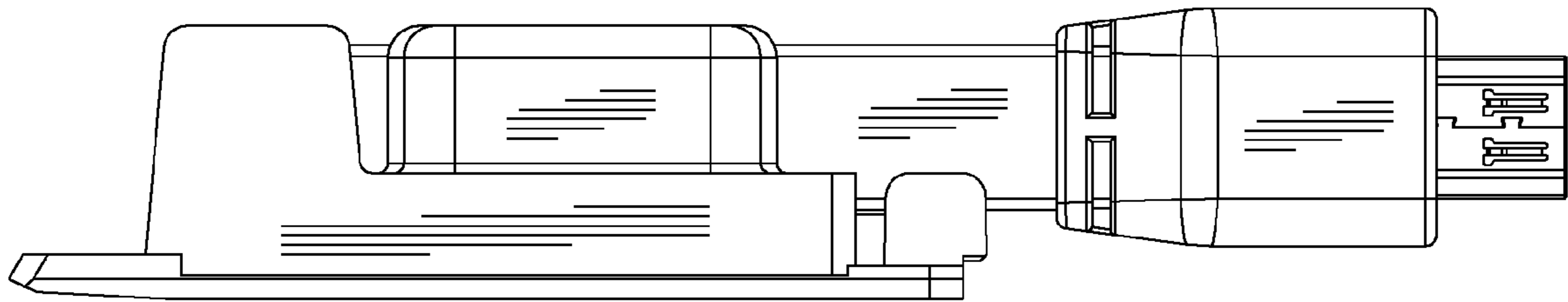


FIG. 7

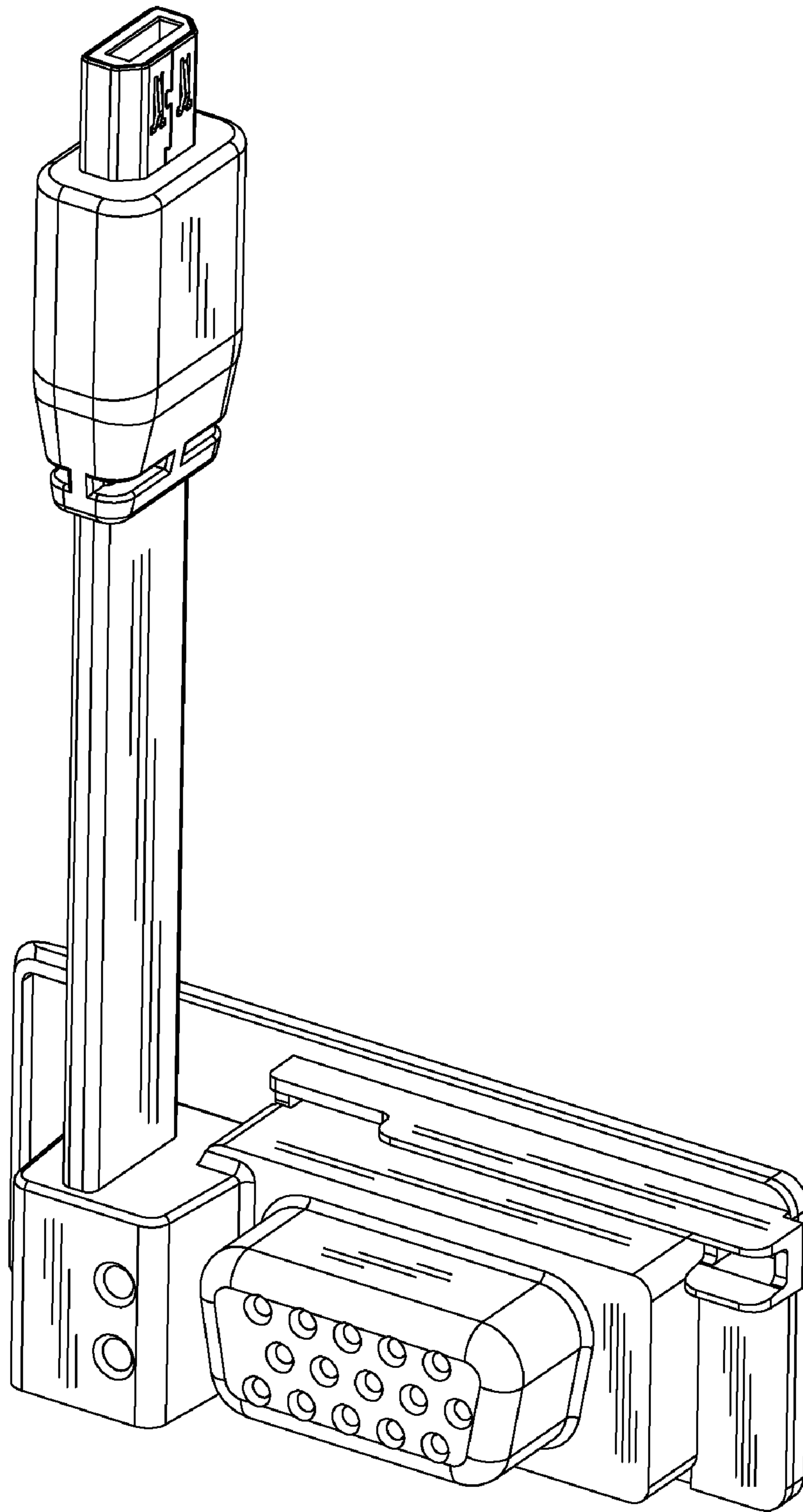


FIG. 8