



US00D621360S

(12) **United States Design Patent**
Kondo

(10) **Patent No.:** **US D621,360 S**

(45) **Date of Patent:** **** Aug. 10, 2010**

(54) **PLUG CONNECTOR**

JP D2007-27865 11/2008

(75) Inventor: **Hayato Kondo**, Yao (JP)

(73) Assignee: **Hosiden Corporation**, Yao-shi (JP)

(**) Term: **14 Years**

(21) Appl. No.: **29/343,370**

(22) Filed: **Sep. 11, 2009**

(30) **Foreign Application Priority Data**

Apr. 27, 2009 (JP) 2009-009657

(51) **LOC (9) Cl.** **13-03**

(52) **U.S. Cl.** **D13/147**

(58) **Field of Classification Search** D13/133,
D13/147, 154, 184; 439/350, 358, 447, 607-610,
439/660, 677, 680, 682, 686
See application file for complete search history.

(56) **References Cited**

U.S. PATENT DOCUMENTS

D429,484 S *	8/2000	Nishio et al.	D13/147
D434,381 S *	11/2000	Shimojyo	D13/147
D434,727 S *	12/2000	Huang	D13/147
D453,498 S *	2/2002	Fujita	D13/147
D601,502 S *	10/2009	Miyatake et al.	D13/133

FOREIGN PATENT DOCUMENTS

JP	D1077151	4/2000
JP	D11-2293	7/2000
JP	D1120861	7/2001
JP	D2000-19277	9/2001
JP	D1297654	3/2007
JP	D2006-27282	4/2007
JP	D1344451	10/2008

OTHER PUBLICATIONS

Japanese Office Action mailed Jan. 29, 2010 with English translation (4 pages).

* cited by examiner

Primary Examiner—Daniel D Bui

(74) *Attorney, Agent, or Firm*—Kratz, Quintos & Hanson, LLP

(57) **CLAIM**

The ornamental design for a plug connector, as shown and described.

DESCRIPTION

FIG. 1 is a front elevational view of the plug connector of the present invention;

FIG. 2 is a back elevational view thereof;

FIG. 3 is a top plan view thereof;

FIG. 4 is a bottom plan view thereof;

FIG. 5 is a right side elevational view thereof;

FIG. 6 is a left side elevational view thereof;

FIG. 7 is a cross-sectional view taken along line 7—7 of FIG. 5;

FIG. 8 is a top, front and right side perspective view thereof; and,

FIG. 9 is a bottom, front and left side perspective view thereof.

The broken line portion of the figure drawings is included for the purpose of illustrating environment and forms no part of the claimed design.

1 Claim, 9 Drawing Sheets

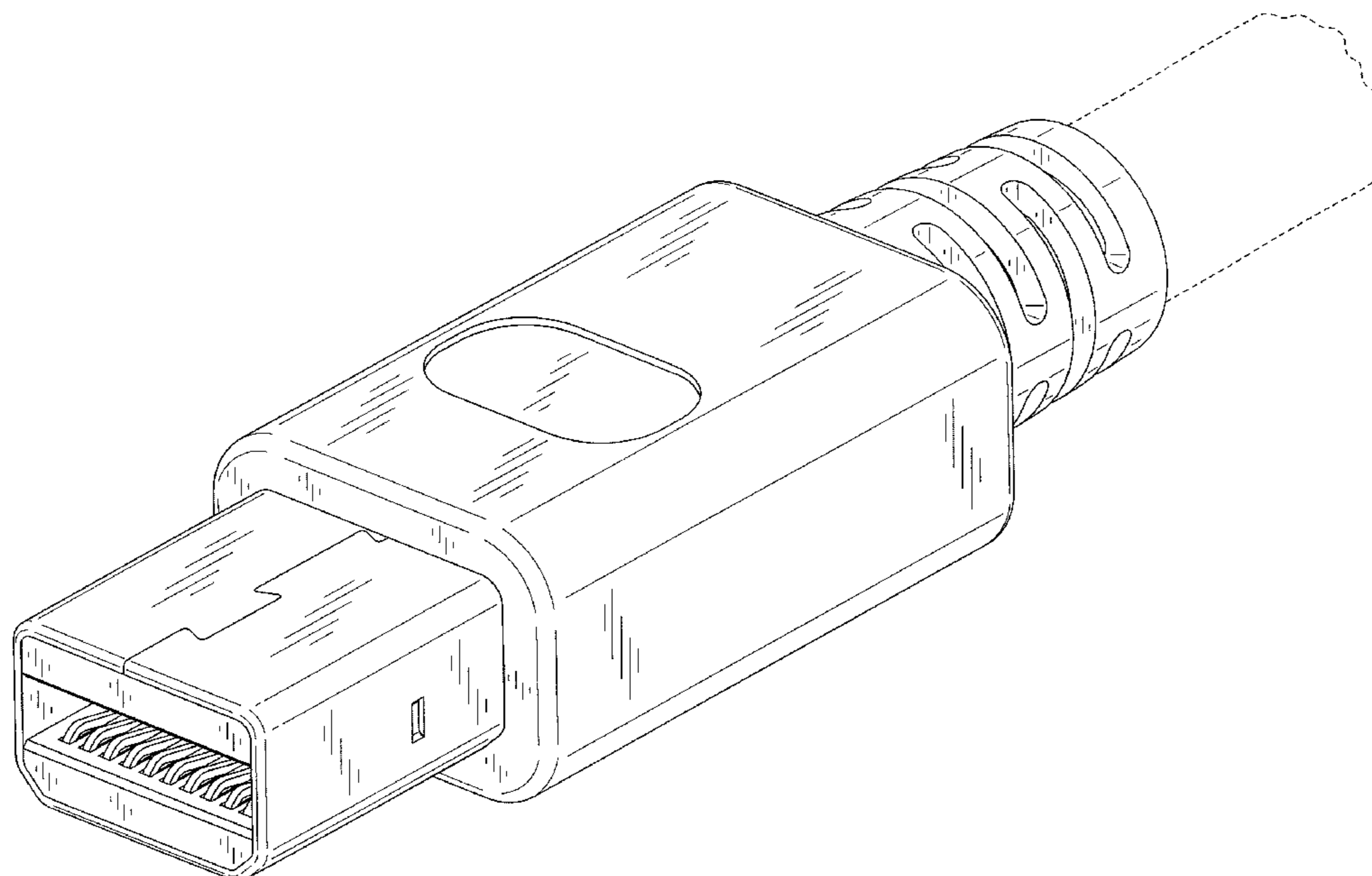


FIG. 1

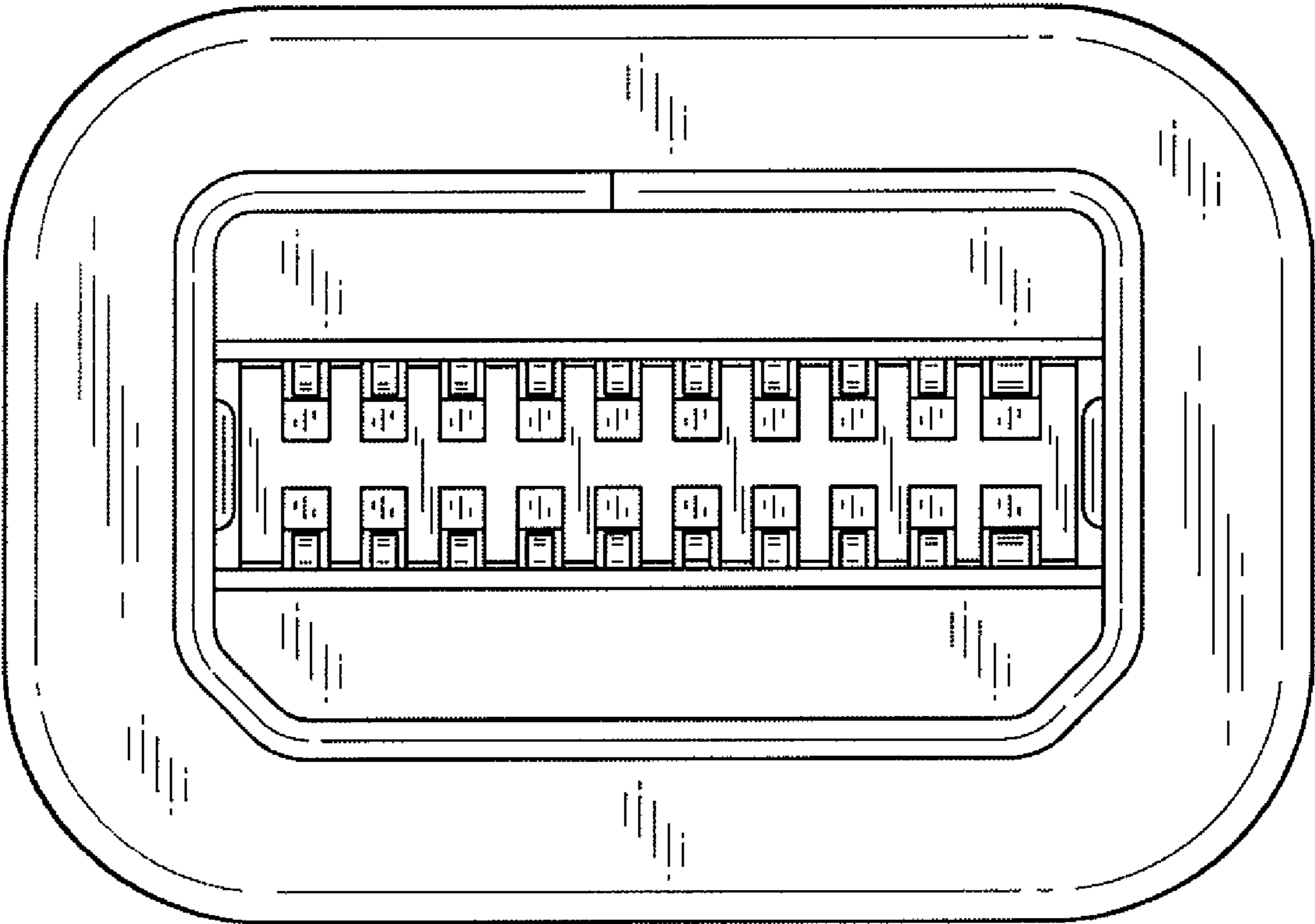


FIG.2

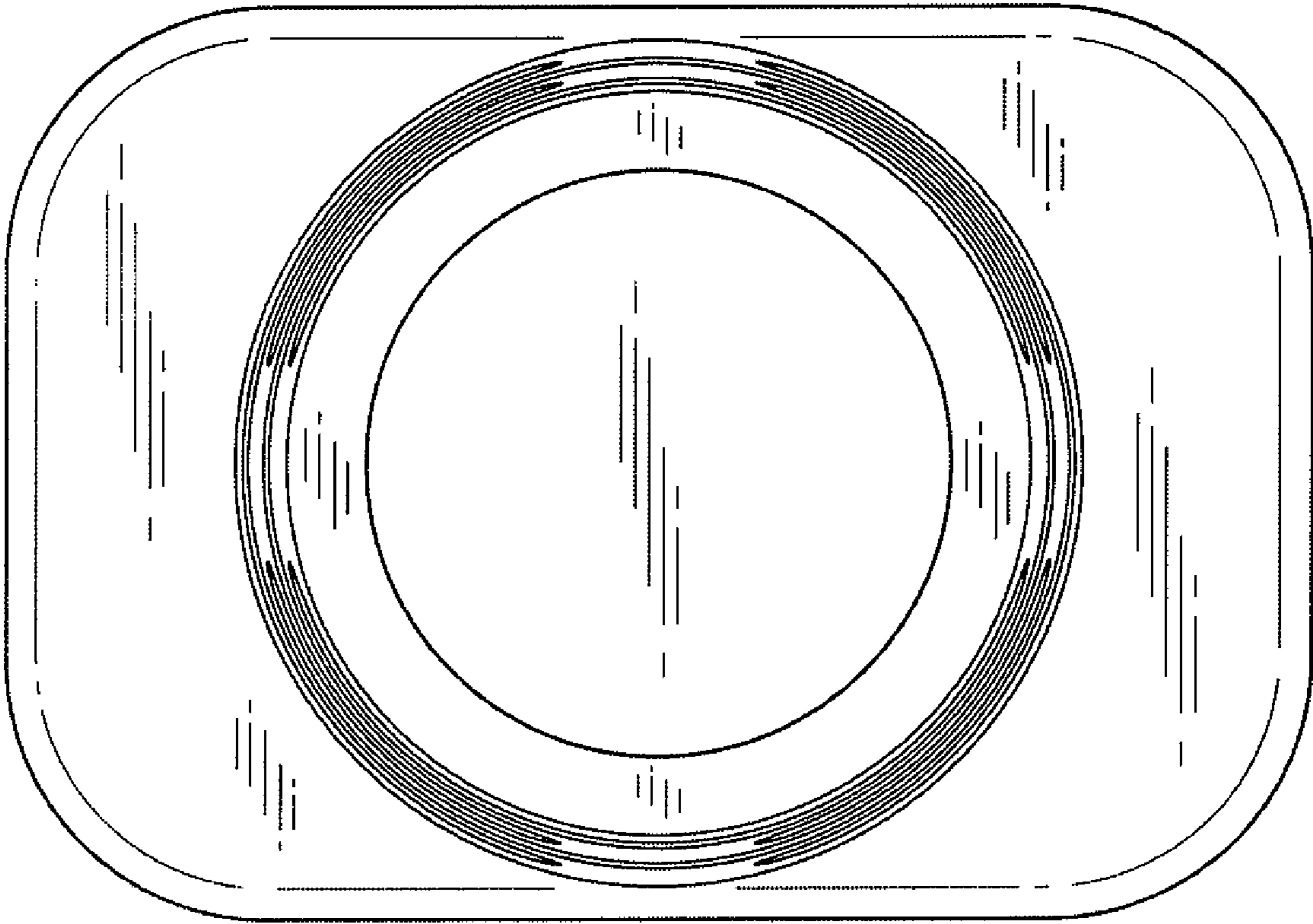


FIG.3

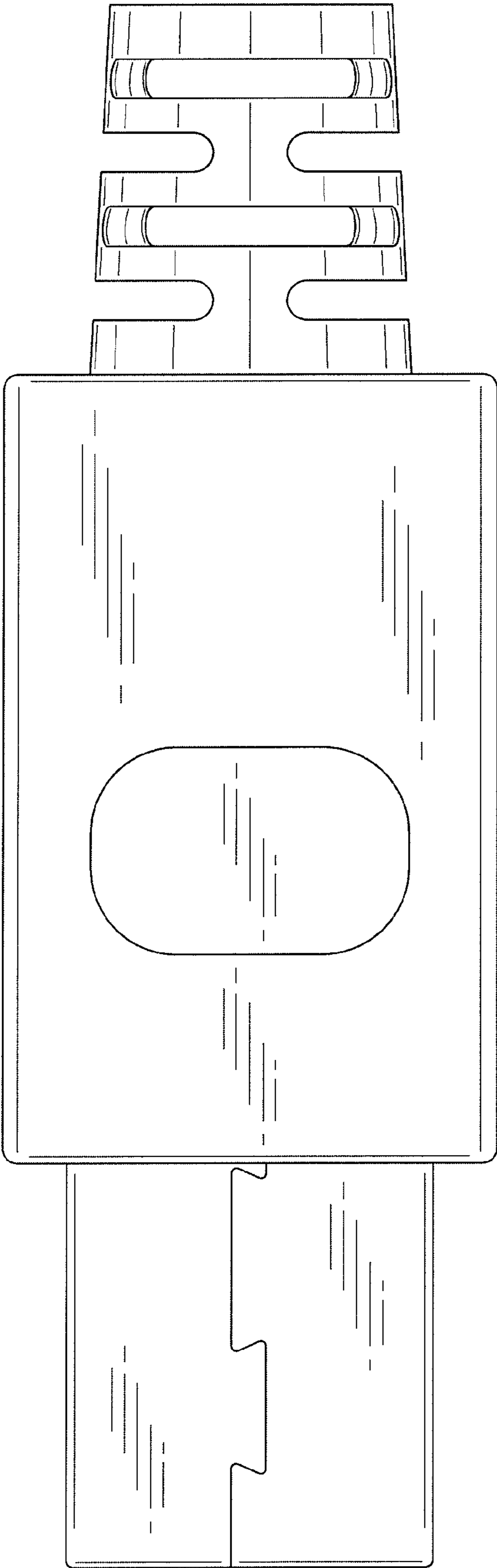


FIG.4

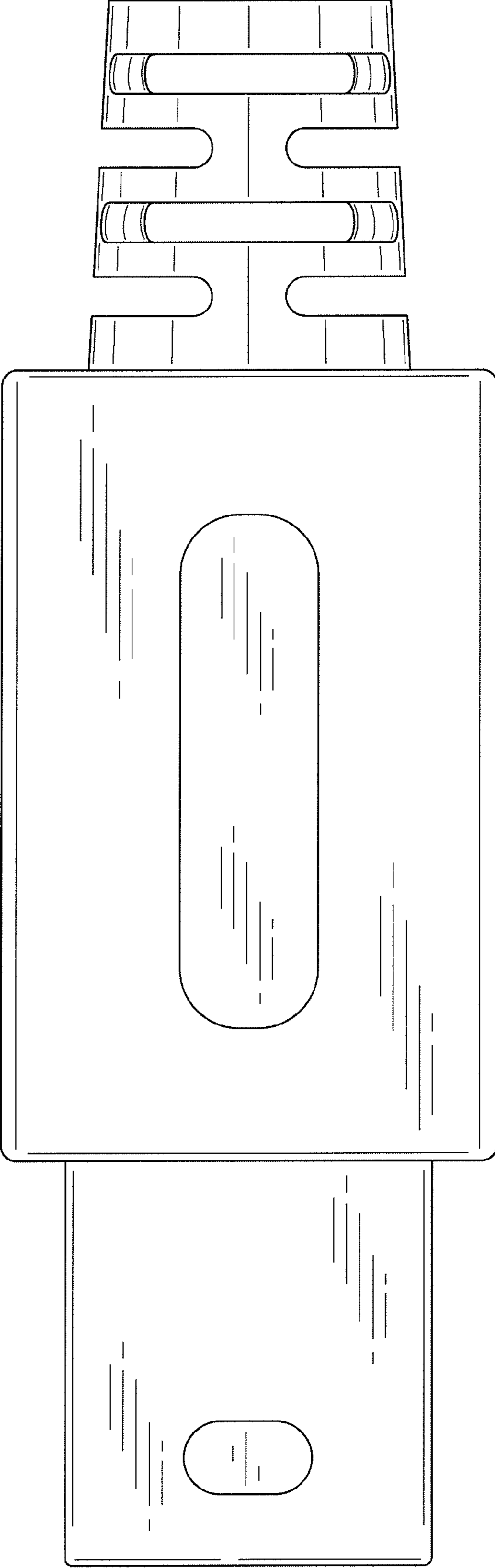


FIG. 5

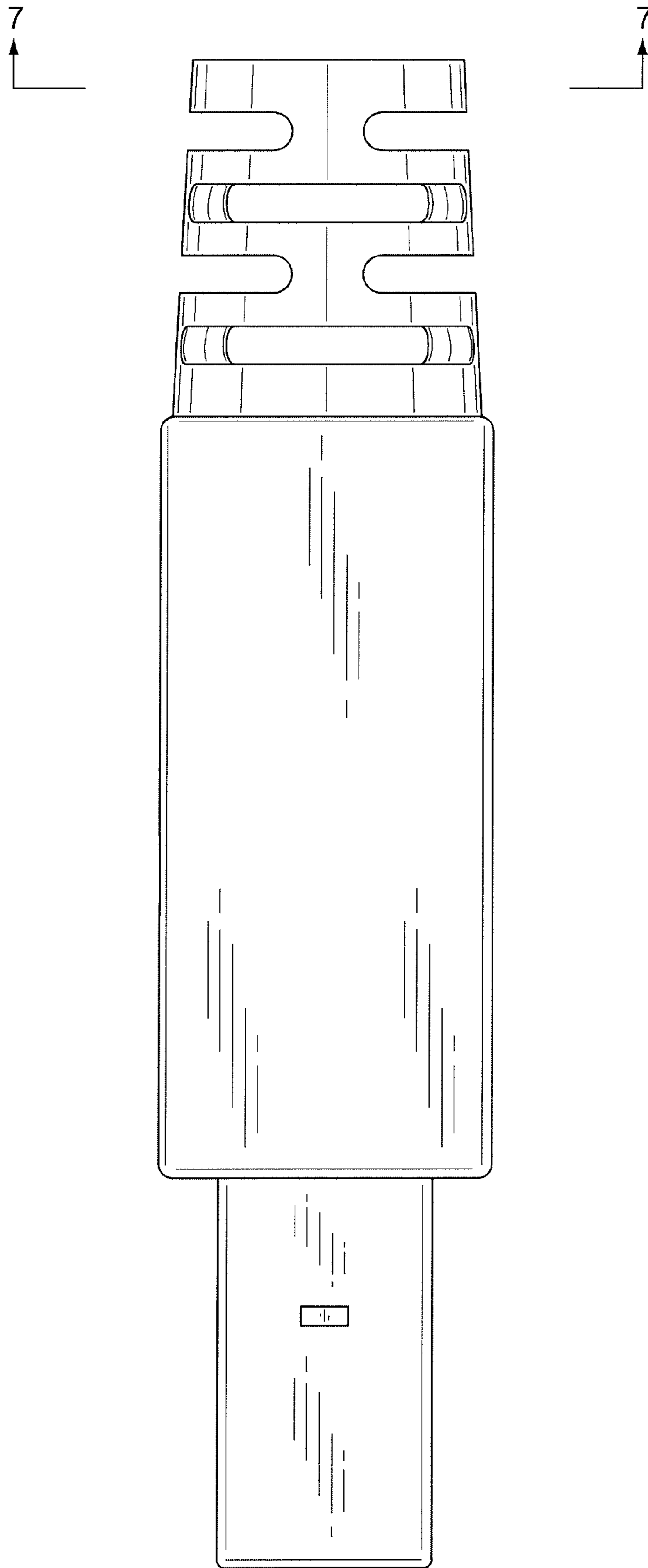


FIG.6

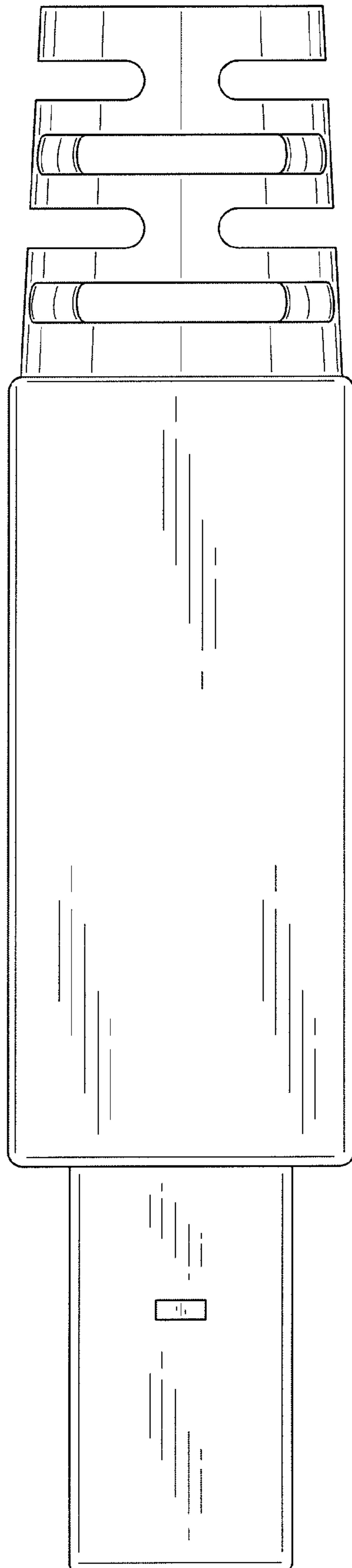
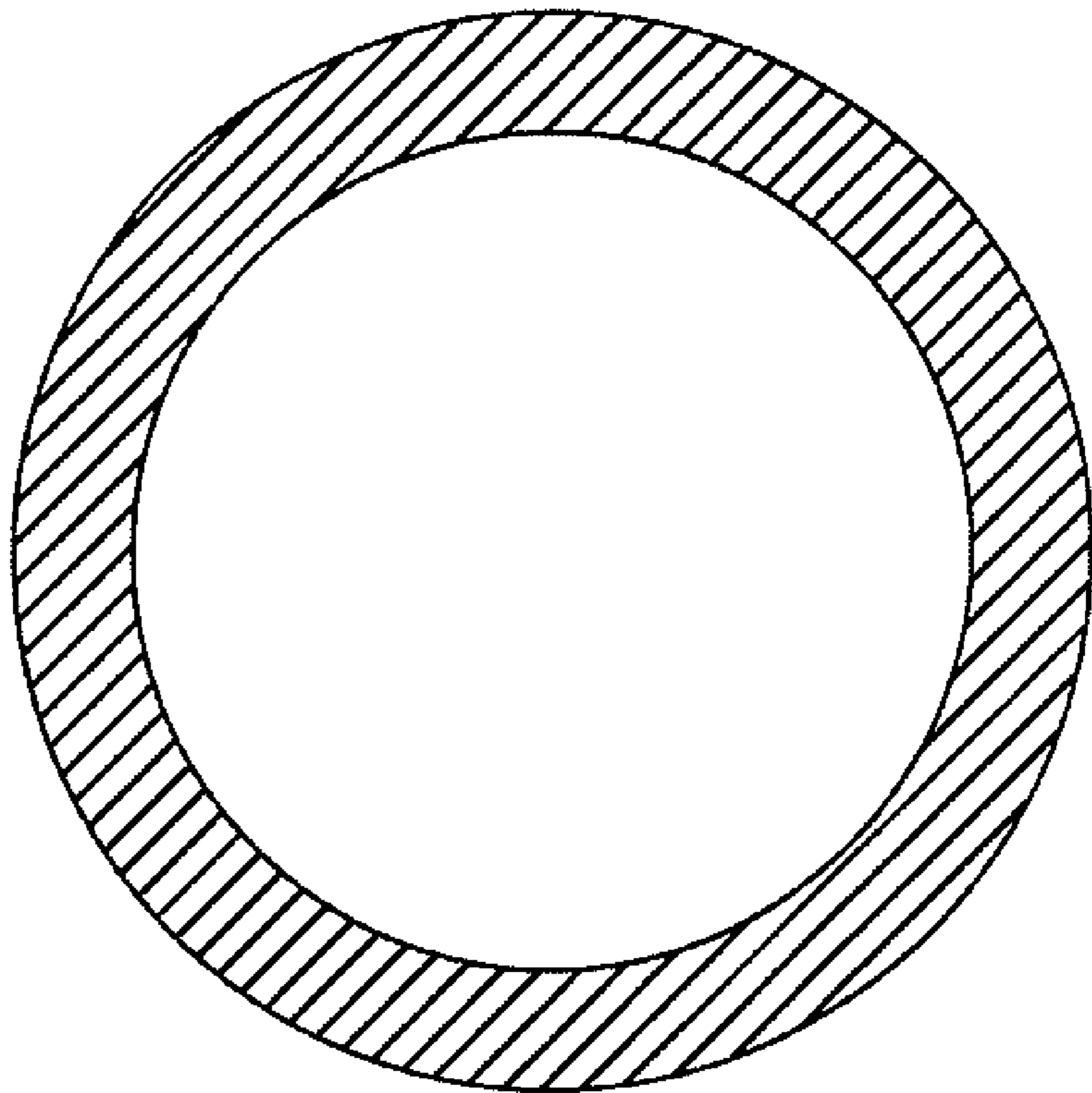


FIG. 7



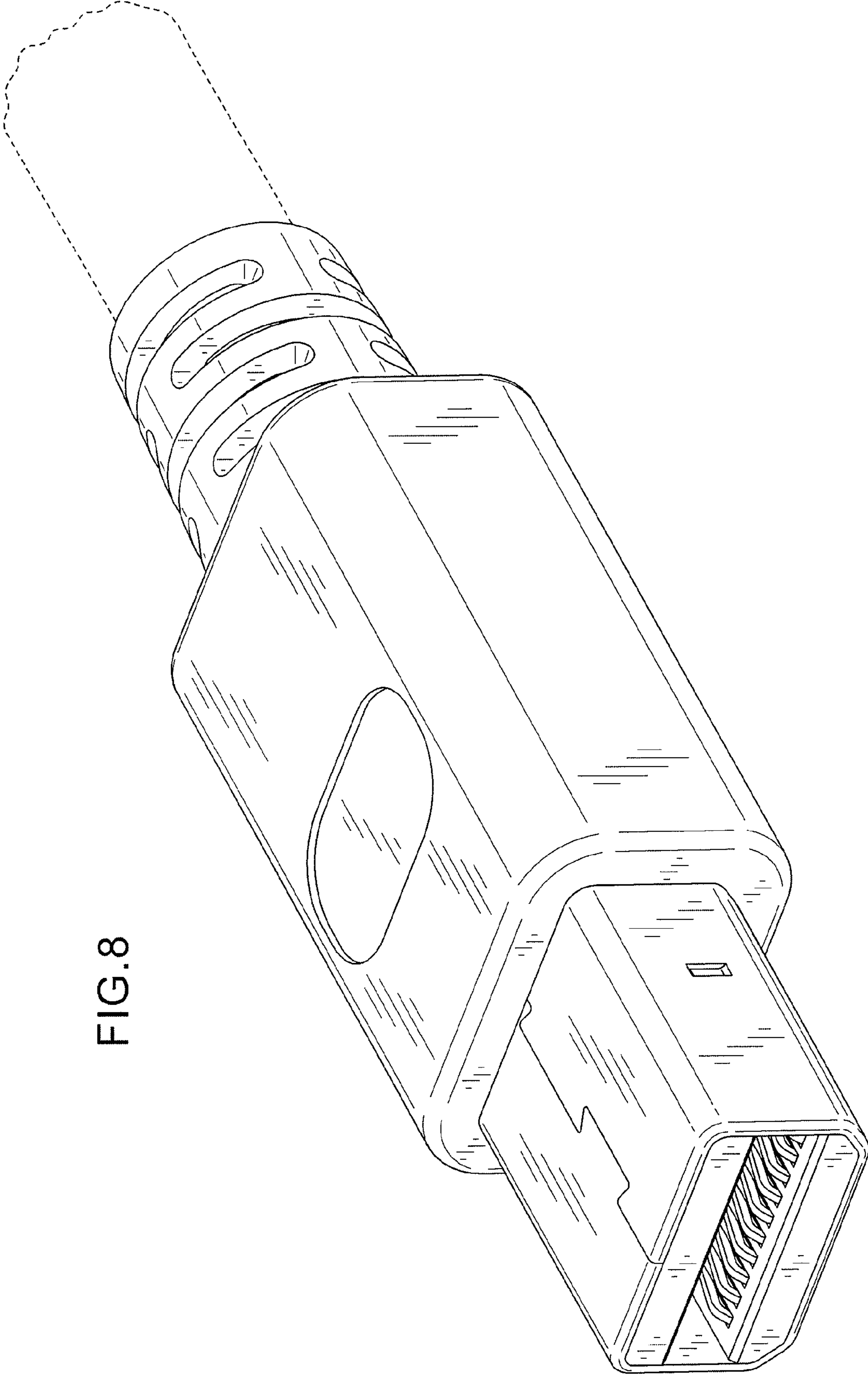


FIG.8

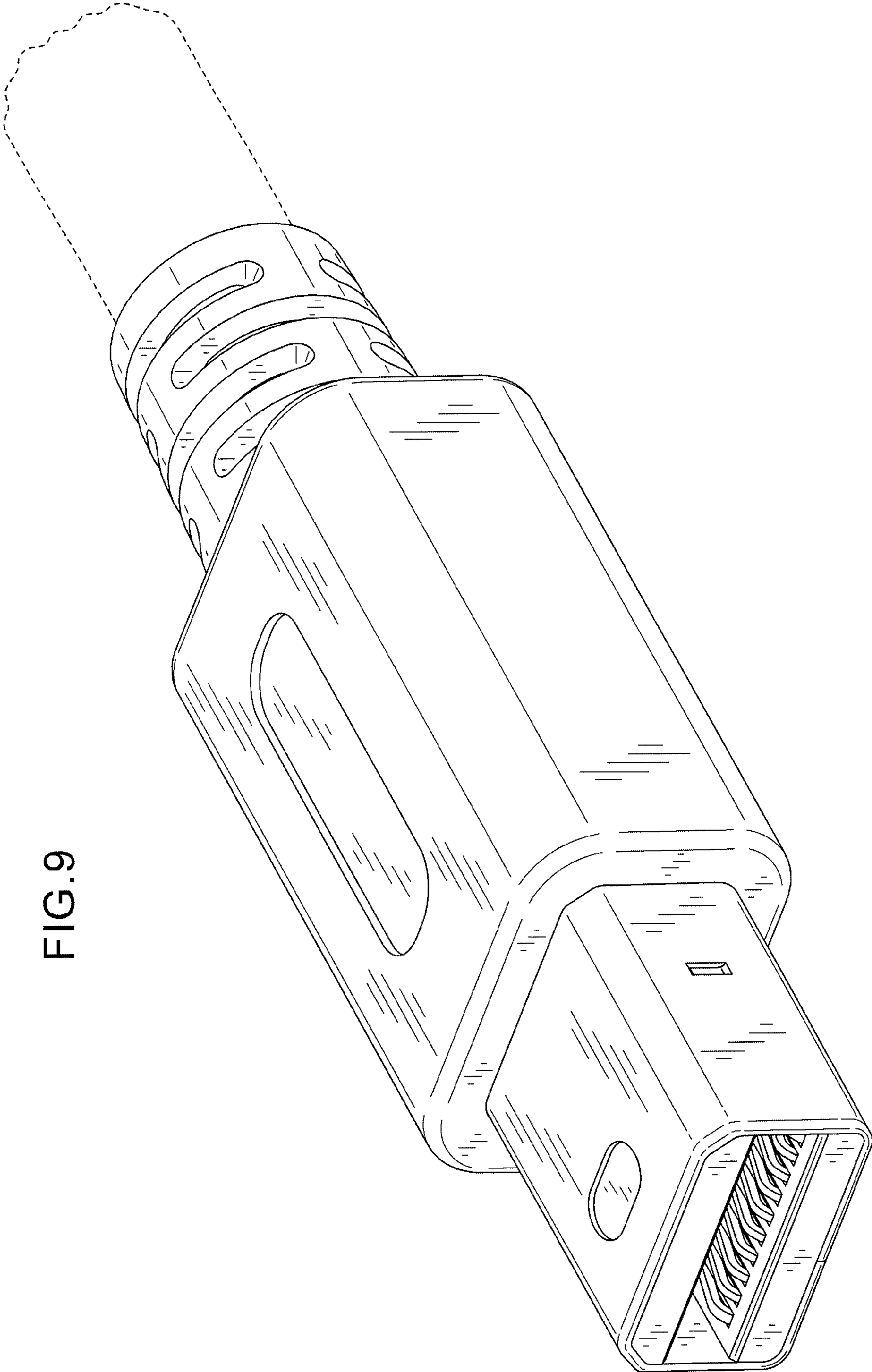


FIG. 9