



US00D621357S

(12) **United States Design Patent**  
**Dong**

(10) **Patent No.:** **US D621,357 S**

(45) **Date of Patent:** **\*\* Aug. 10, 2010**

(54) **POWER SUPPLY DEVICE**

(75) Inventor: **Mary Dong**, City of Industry, CA (US)

(73) Assignee: **Valor Communication, Inc.**, City of Industry, CA (US)

(\*\*) Term: **14 Years**

(21) Appl. No.: **29/316,472**

(22) Filed: **Oct. 1, 2009**

(51) **LOC (9) Cl.** ..... **13-03**

(52) **U.S. Cl.** ..... **D13/138.1**

(58) **Field of Classification Search** ..... D13/138.1,  
D13/138.2, 139.1, 139.2, 139.3, 139.4, 139.5,  
D13/139.6, 139.7, 139.8, 137.1, 137.2, 137.3,  
D13/137.4, 107, 108, 110, 133, 146, 151,  
D13/152, 153, 156, 162, 162.1, 163, 171,  
D13/177; 174/66, 202, 206, 53, 59, 60; 363/146,  
363/15, 34; 320/111, 114, 115; 439/108,  
439/172, 173, 344, 373

See application file for complete search history.

(56) **References Cited**

**U.S. PATENT DOCUMENTS**

D347,617 S *	6/1994	Tattari	.....	D13/107
D398,581 S *	9/1998	Chang	.....	D13/138.1
D430,848 S *	9/2000	Davi et al.	.....	D13/138.1
D432,497 S *	10/2000	Totsuka et al.	.....	D13/110
D452,842 S *	1/2002	Kajiwara et al.	.....	D13/110
D481,674 S *	11/2003	Sade et al.	.....	D13/108
D517,985 S *	3/2006	Hirabayashi et al.	.....	D13/110
D544,833 S *	6/2007	Sade et al.	.....	D13/108

D555,590 S *	11/2007	Dong et al.	.....	D13/110
D572,712 S *	7/2008	Ledbetter et al.	.....	D14/432
D579,410 S *	10/2008	Hanada et al.	.....	D13/110
D583,317 S *	12/2008	Kagami et al.	.....	D13/108
D592,133 S *	5/2009	Dong	.....	D13/108

\* cited by examiner

*Primary Examiner*—Angela J Lee

(74) *Attorney, Agent, or Firm*—Marc E. Hankin; Kevin Schraven; Hankin Patent Law, APC

(57) **CLAIM**

The ornamental design for a power supply device, as shown and described.

**DESCRIPTION**

FIG. 1 is a top perspective view of a power supply device showing my new design.

FIG. 2 is a top plan elevation view therefore;

FIG. 3 is a bottom plan view therefore;

FIG. 4 is a left side elevational view thereof;

FIG. 5 is a right side elevational view thereof;

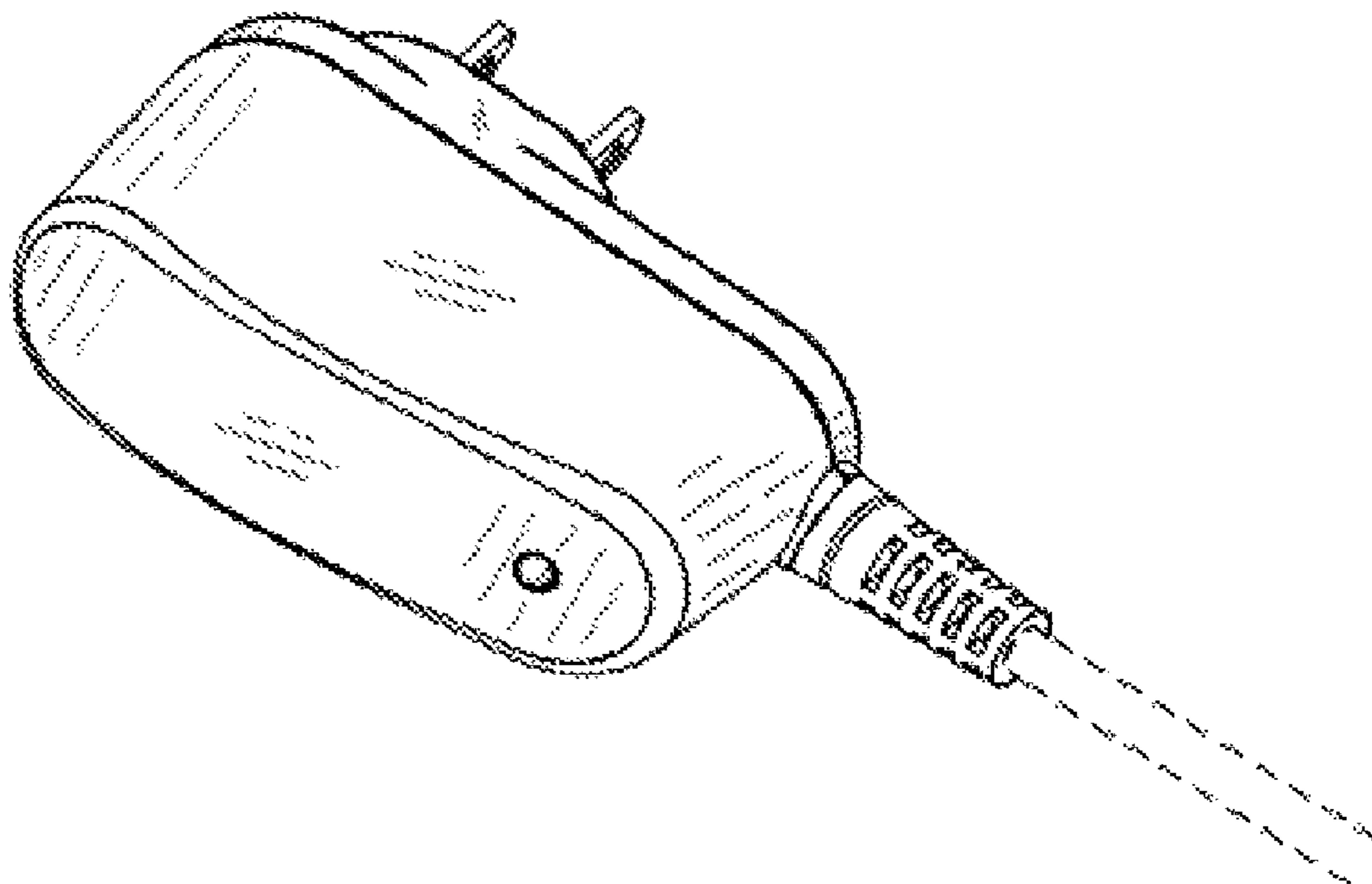
FIG. 6 is a front elevational view thereof; and,

FIG. 7 is a rear elevational view thereof.

The broken lines shown in the drawings are included for the purpose of illustrating environmental structure and form no part of the claimed design.

My design is characterized by the features as shown in the drawings.

**1 Claim, 3 Drawing Sheets**



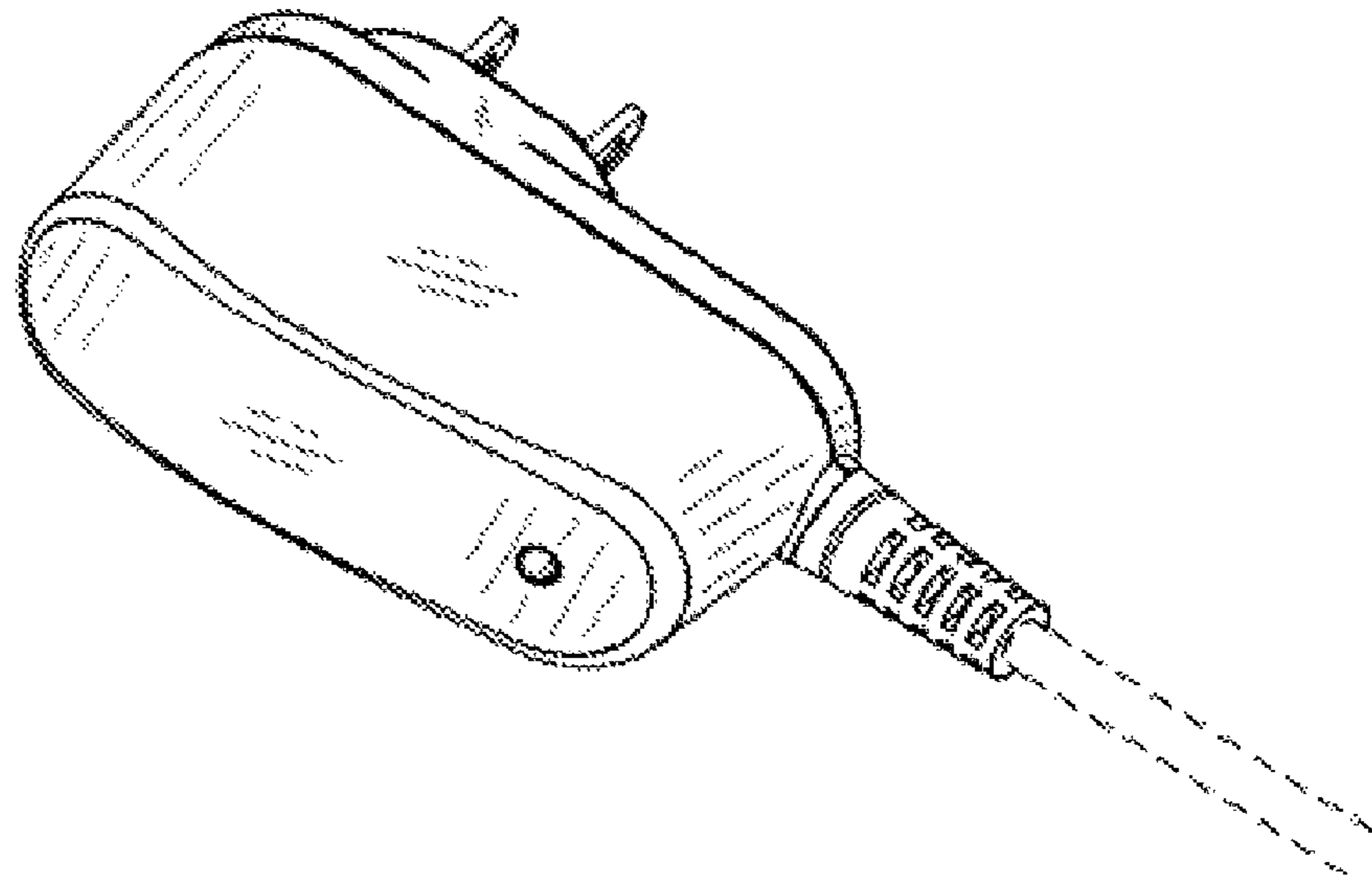


FIG.1

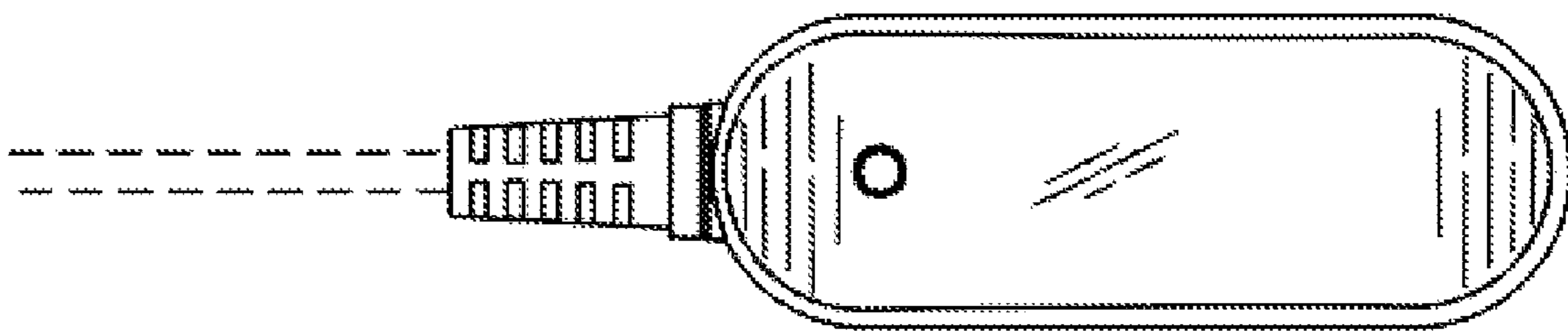


FIG.2

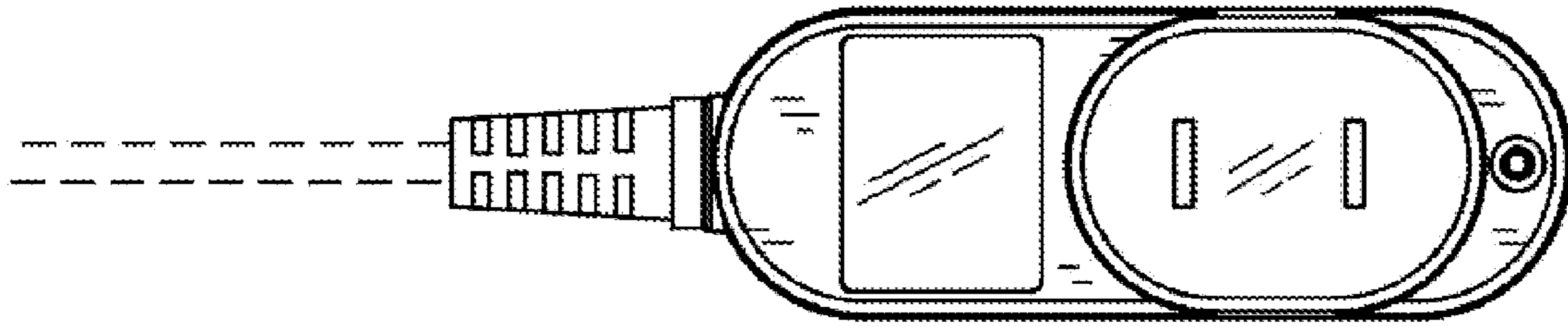


FIG.3

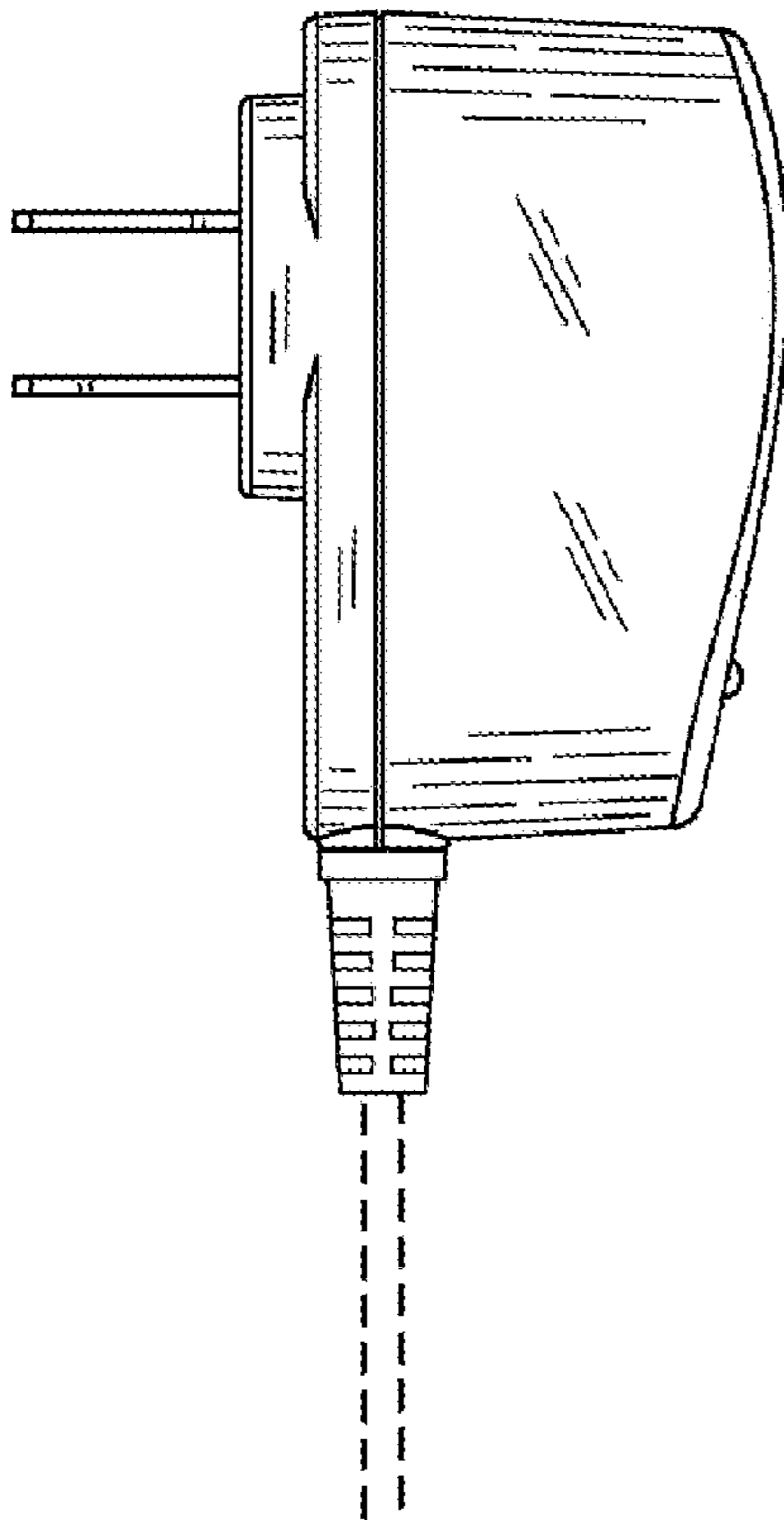


FIG.4

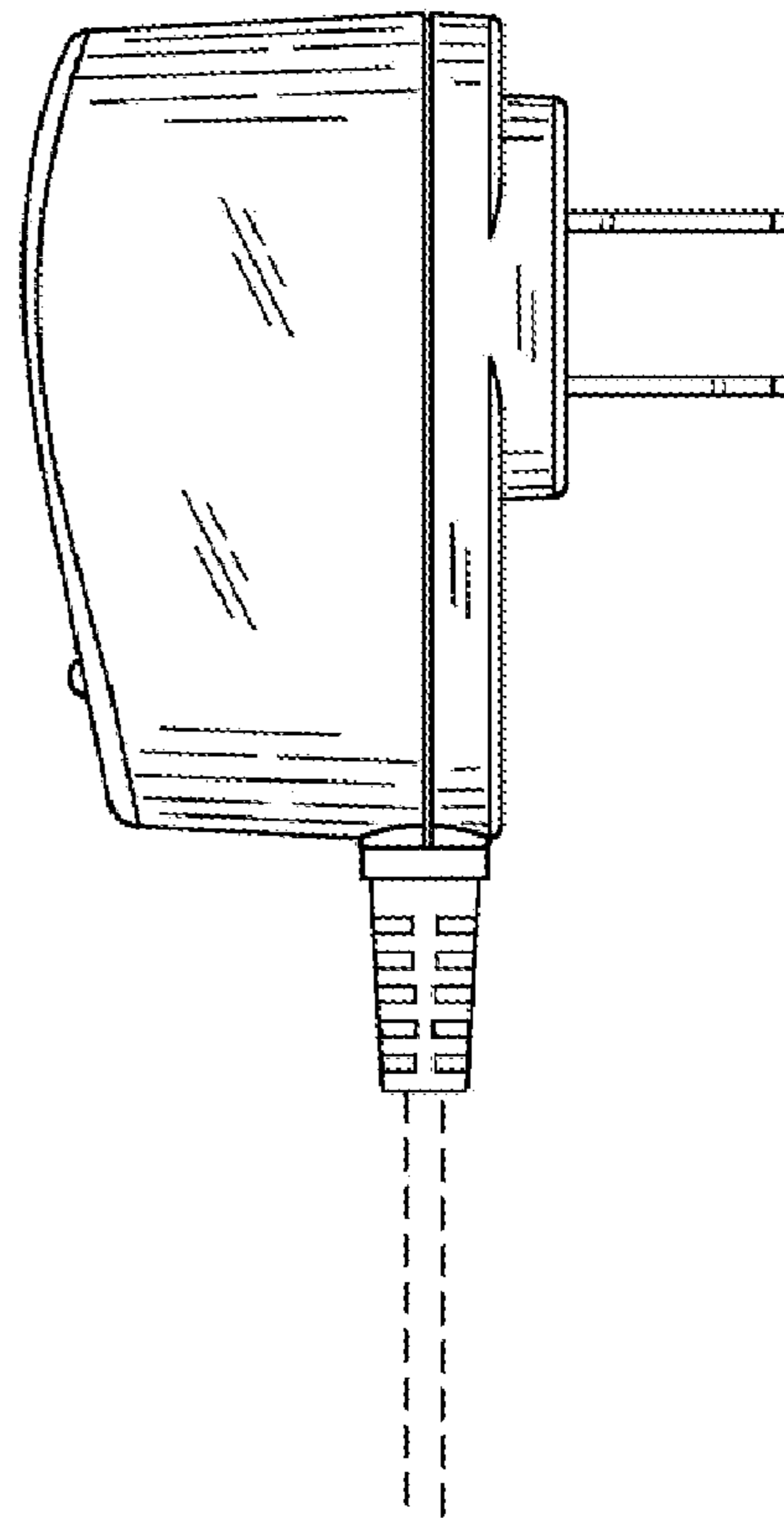


FIG.5

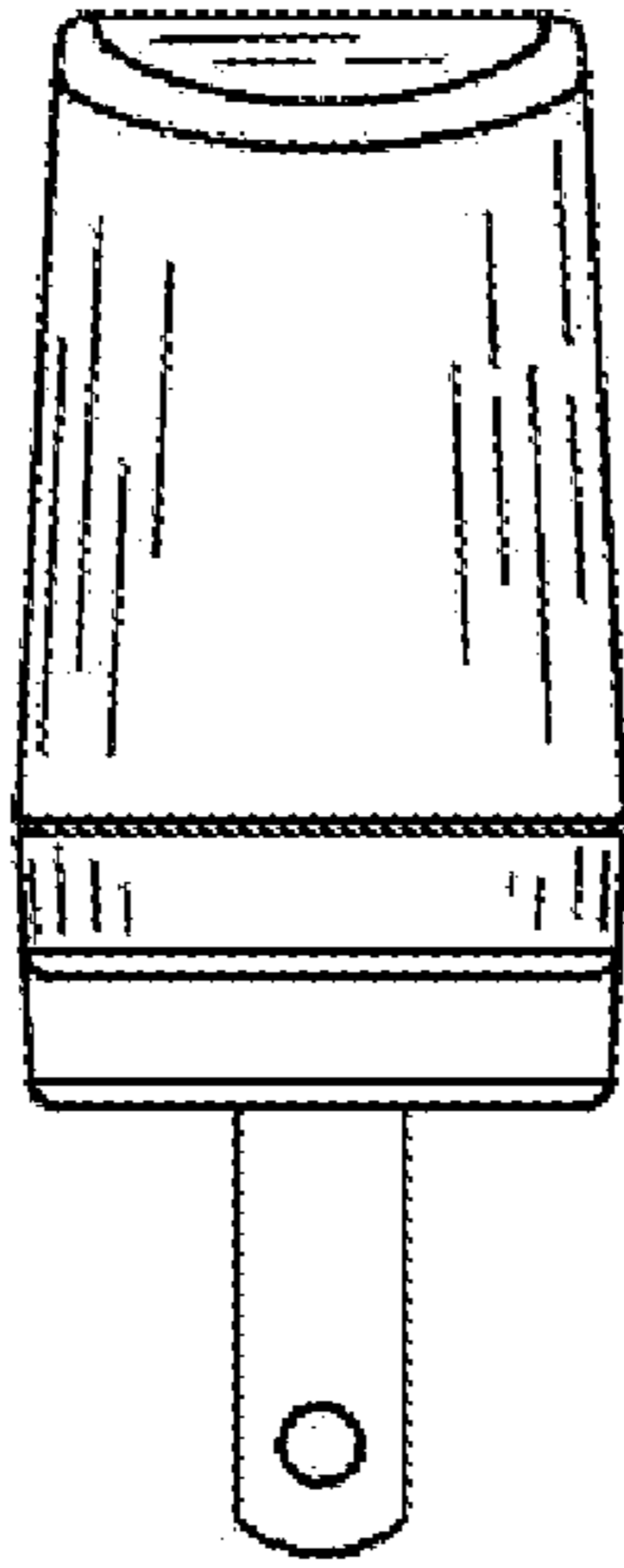


FIG.6

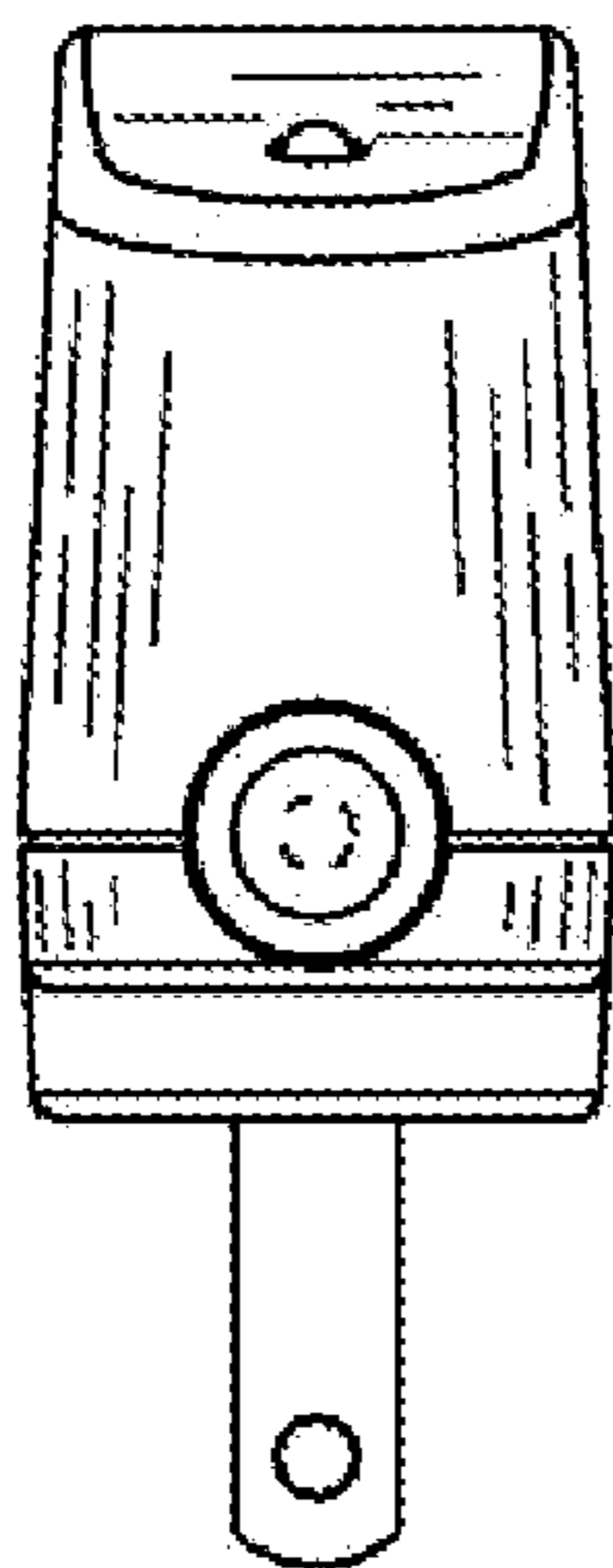


FIG.7