



US00D621356S

(12) **United States Design Patent**
Tsai

(10) **Patent No.:** **US D621,356 S**

(45) **Date of Patent:** **** Aug. 10, 2010**

(54) **CONNECTOR**

(75) Inventor: **Chang-Ming Tsai**, Changhua Hsien (TW)

(73) Assignee: **Huei Tyng Enterprise Co., Ltd.**, Changhua Hsien (TW)

(**) Term: **14 Years**

(21) Appl. No.: **29/343,446**

(22) Filed: **Sep. 14, 2009**

(51) **LOC (9) Cl.** **13-03**

(52) **U.S. Cl.** **D13/133**

(58) **Field of Classification Search** D13/133, D13/151, 154, 184, 199; 174/65 R, 65 G, 174/68.1, 68.3, 69, 71 R, 72 C; D8/330, D8/331, 382, 383, 394, 395; 248/49, 74.1, 248/62, 63; 439/92, 142, 320, 535, 557; 403/344, 172

See application file for complete search history.

(56) **References Cited**

U.S. PATENT DOCUMENTS

D287,239 S *	12/1986	Komatsu	D13/133
D372,419 S *	8/1996	Ikegami	D8/382
5,549,408 A *	8/1996	Lo	403/218
5,580,258 A *	12/1996	Wakata	439/142
D404,362 S *	1/1999	Auray et al.	D13/152
6,062,607 A *	5/2000	Bartholomew	285/93

D467,554 S *	12/2002	Bryndzia	D13/154
D558,675 S *	1/2008	Chien et al.	D13/133
D571,644 S *	6/2008	Ilang	D8/382
D596,578 S *	7/2009	Kiely et al.	D13/149

* cited by examiner

Primary Examiner—Daniel D Bui

Assistant Examiner—Thomas J Johannes

(74) *Attorney, Agent, or Firm*—Alan Kamrath; Kamrath & Associates PA

(57) **CLAIM**

The ornamental design for connector, as shown and described.

DESCRIPTION

FIG. 1 is a perspective view of a connector showing my new design;

FIG. 2 is a front view thereof; the opposite side being a mirror image of the shown;

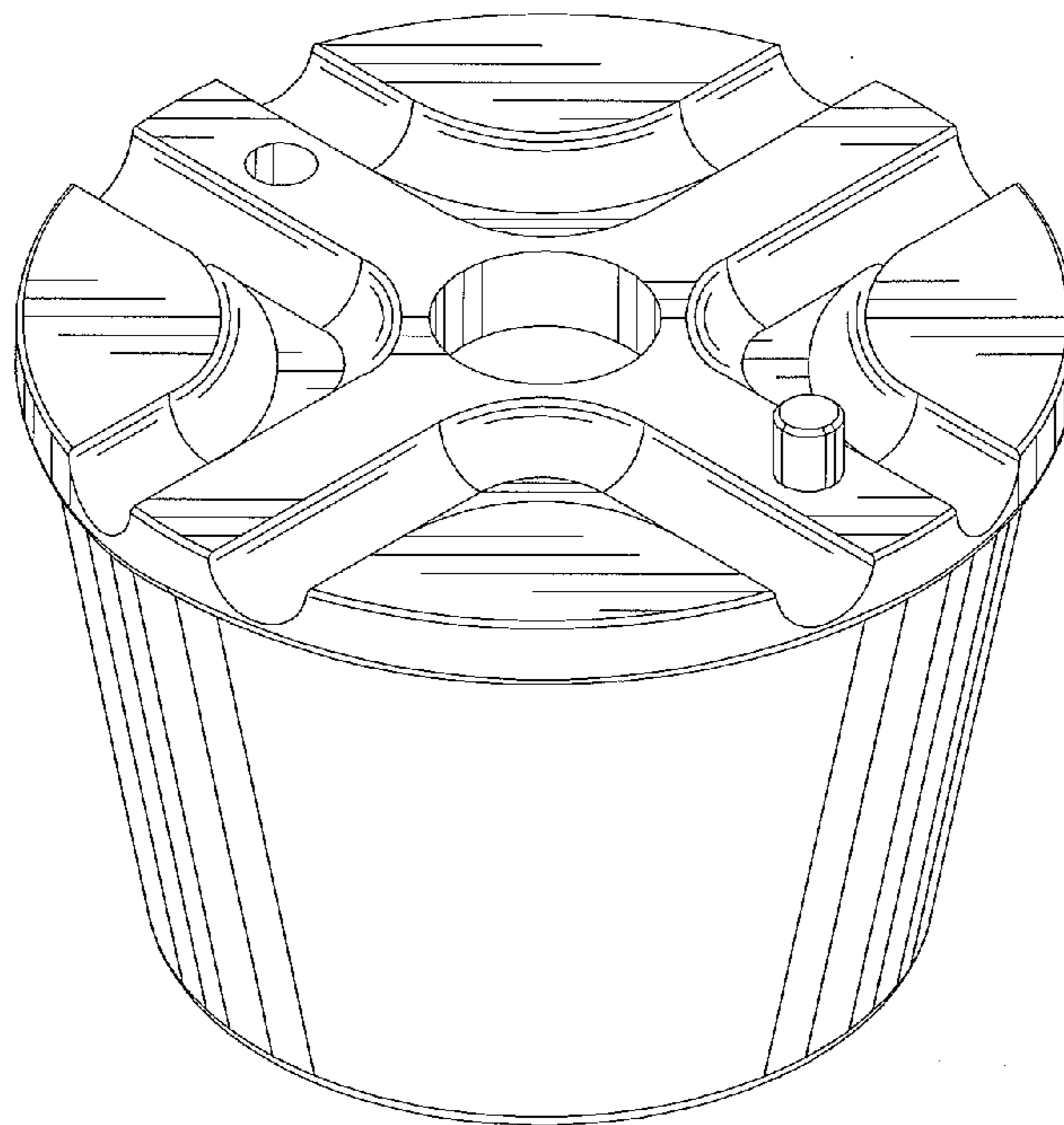
FIG. 3 is a left view thereof; the opposite side being a mirror image of the shown;

FIG. 4 is a top view thereof; and,

FIG. 5 is a bottom view thereof.

The broken line portion of the figure drawings is included to show unclaimed subject matter in FIG. 5 and forms no part of the claimed design.

1 Claim, 3 Drawing Sheets



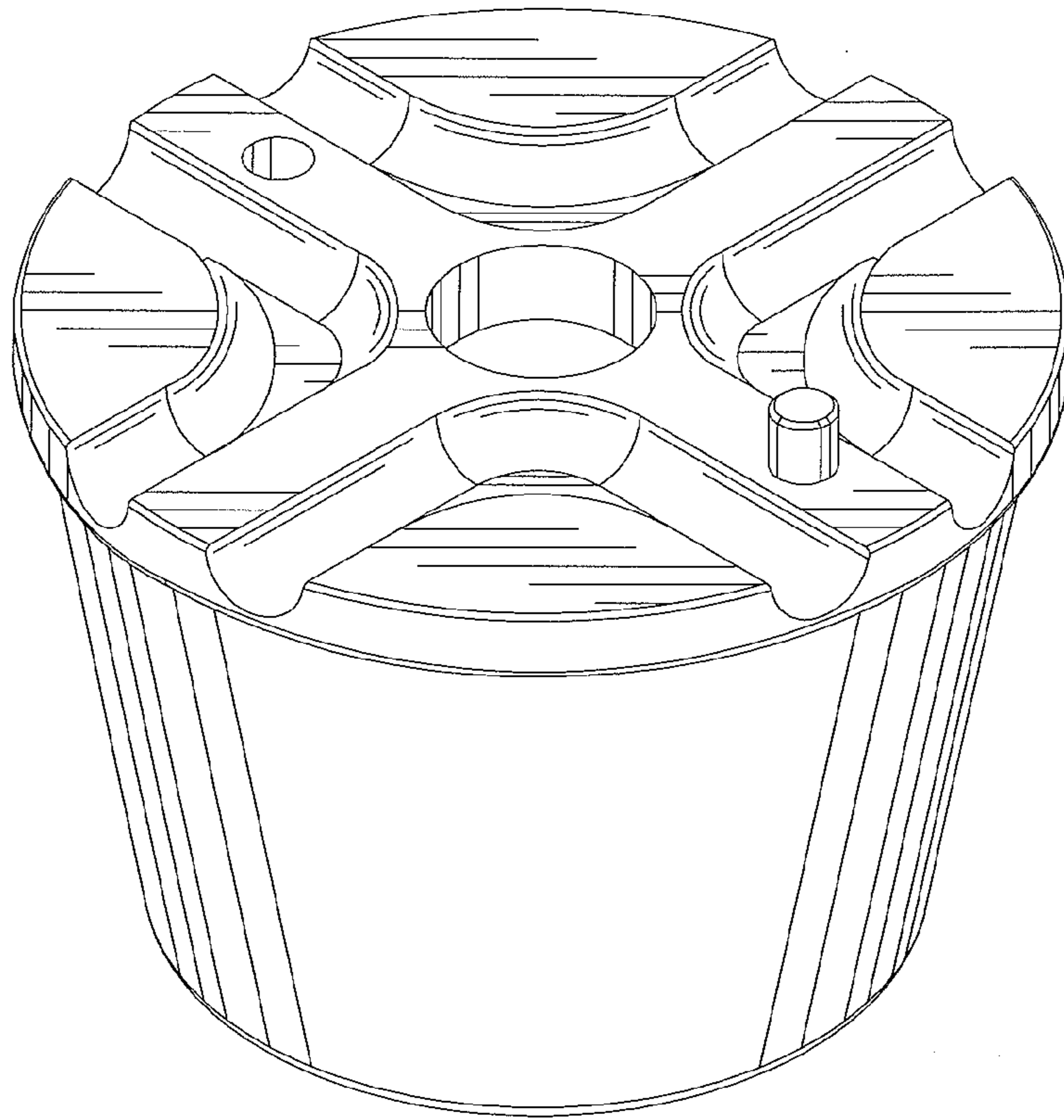


FIG. 1

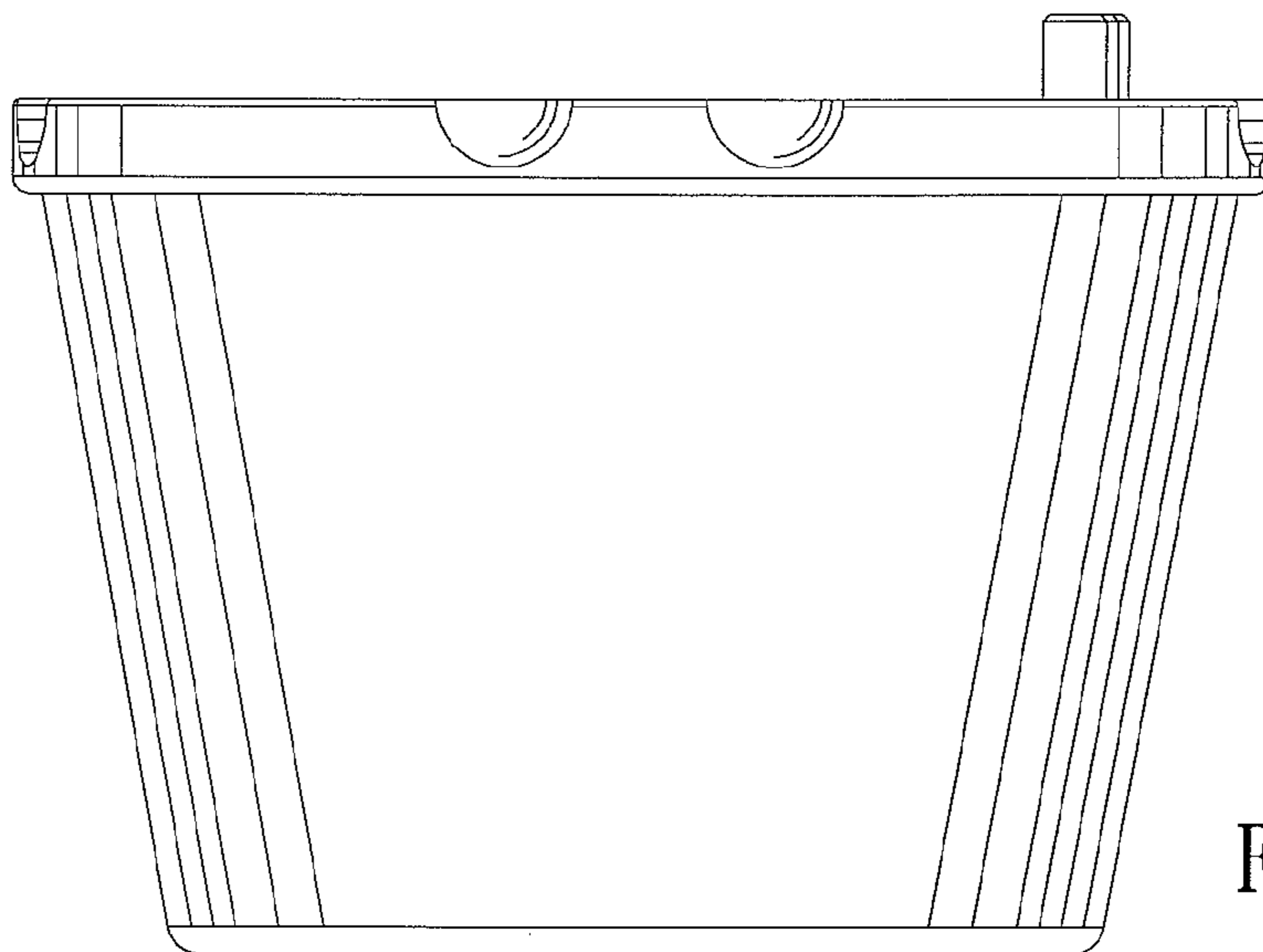


FIG. 2

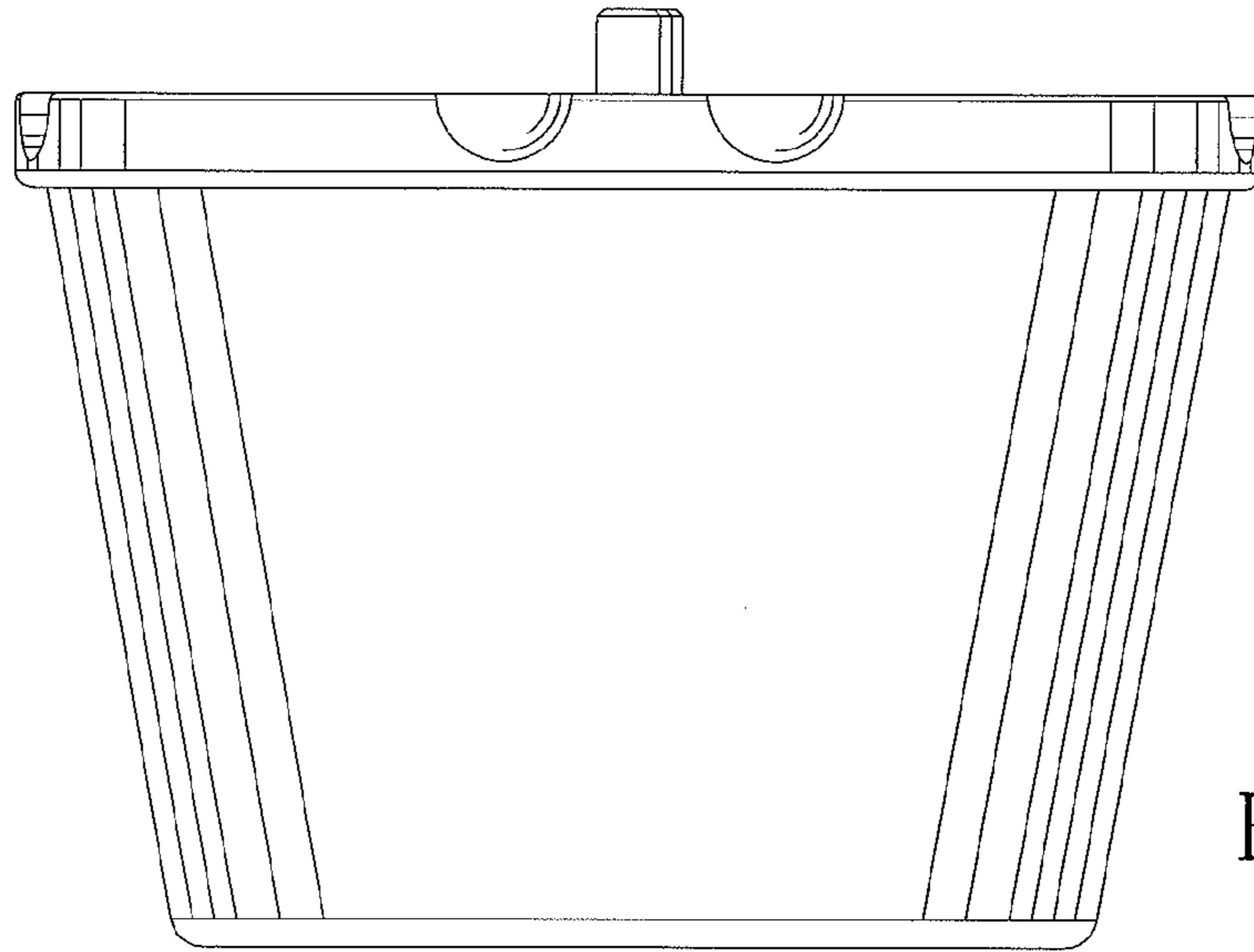


FIG. 3

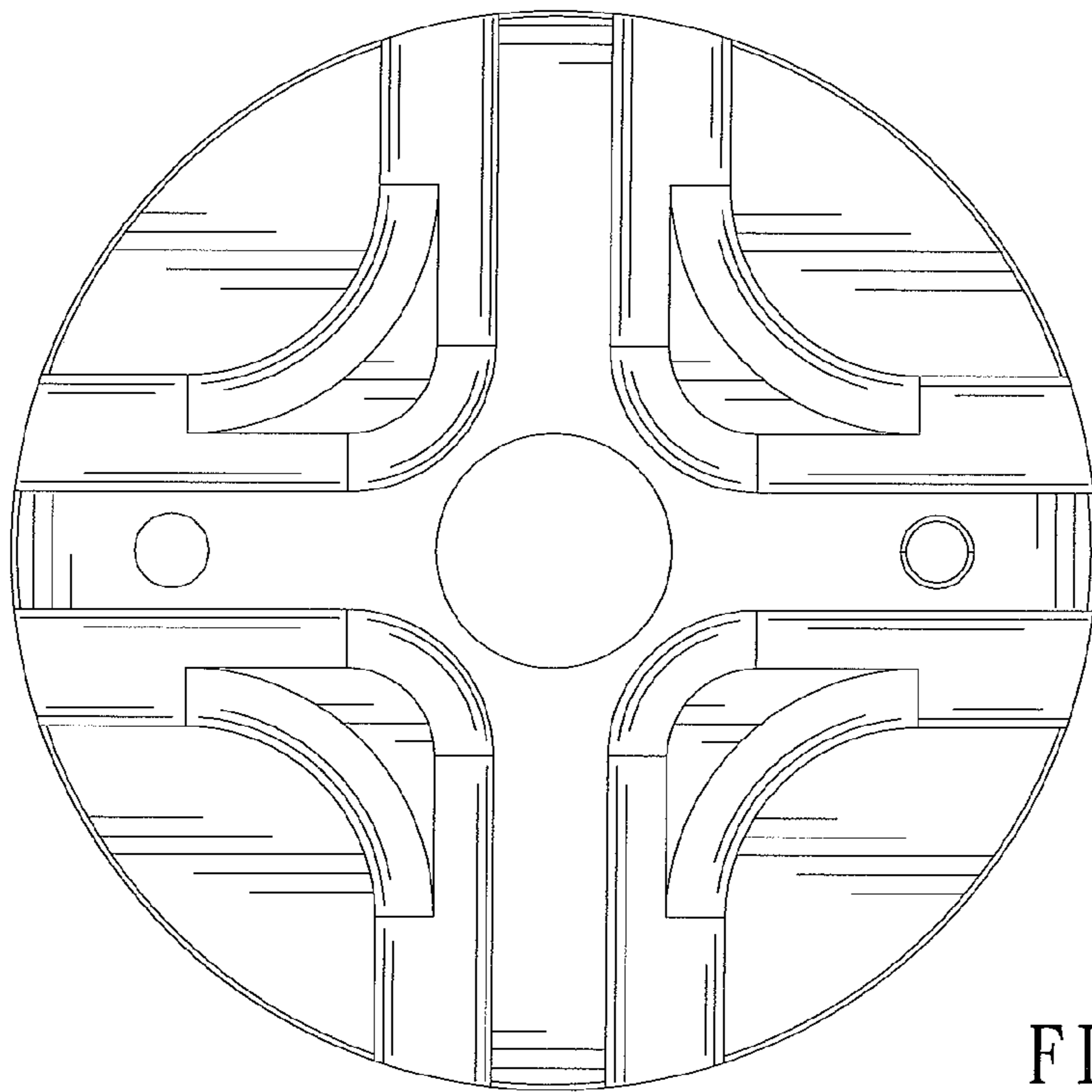


FIG. 4

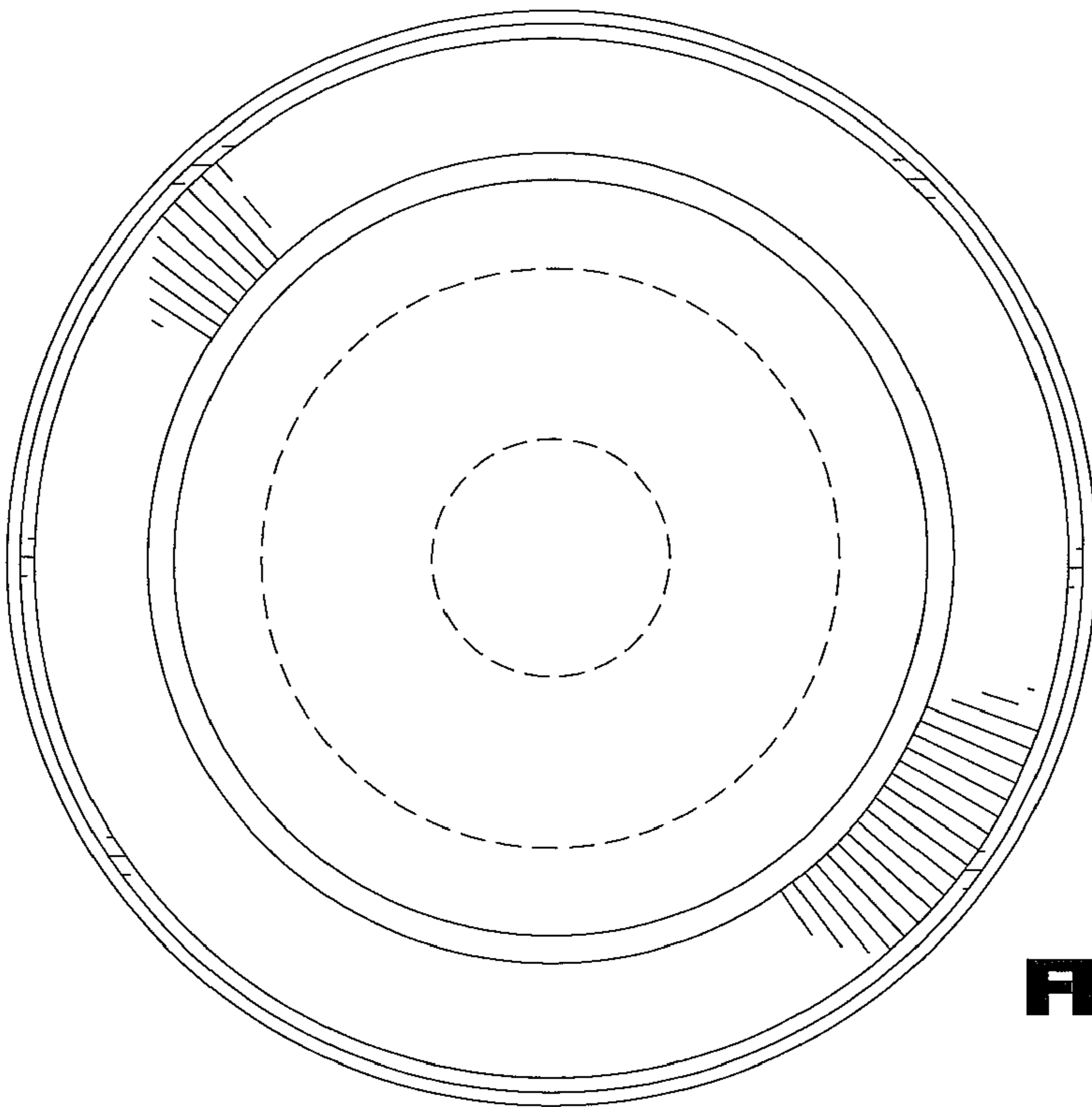


FIG 5