



US00D621354S

(12) **United States Design Patent**
Kerstner

(10) **Patent No.:** **US D621,354 S**

(45) **Date of Patent:** **** *Aug. 10, 2010**

(54) **FEET SUPPORT FOR ELECTRICAL MOTOR HOUSING**

(75) Inventor: **Fabiano Knopp Kerstner**, Jaragua do Sul (BR)

(73) Assignee: **Weg Equipamentos Electricos S.A.**, Jaragua do Sul, Santa Catarinas (BR)

(*) Notice: This patent is subject to a terminal disclaimer.

(**) Term: **14 Years**

(21) Appl. No.: **29/305,483**

(22) Filed: **Mar. 21, 2008**

(30) **Foreign Application Priority Data**

Sep. 26, 2007 (BR) DI 6702897-7

(51) **LOC (9) Cl.** **13-01**

(52) **U.S. Cl.** **D13/122; D13/118**

(58) **Field of Classification Search** D13/122, D13/112, 114, 118, 184, 199; D8/354, 355, D8/499; D12/223; D15/5, 126, 199; 248/346.01, 248/346.03, 669, 674, 677, 678; 254/133 R; 310/91

See application file for complete search history.

(56) **References Cited**

U.S. PATENT DOCUMENTS

D170,339 S * 9/1953 Riordan D15/127

2,662,988 A * 12/1953 McKim 310/91
D207,401 S * 4/1967 Andrews et al. D13/114
D310,816 S * 9/1990 Sawato et al. D13/112
D386,744 S * 11/1997 Urvoy D13/112
5,855,354 A * 1/1999 Fisher et al. 248/674
D488,128 S * 4/2004 Ho D13/118
D518,067 S * 3/2006 Bao D15/5

* cited by examiner

Primary Examiner—Prabhakar Deshmukh

Assistant Examiner—Derrick Holland

(74) *Attorney, Agent, or Firm*—Hughes Hubbard & Reed LLP; Ronald Abramson; Peter A. Sullivan

(57) **CLAIM**

The ornamental design for a feet for electric machines, as shown and described.

DESCRIPTION

FIG. 1 is a front perspective view of a feet for electric machines showing my new design;

FIG. 2 is a back perspective view thereof;

FIG. 3 is a bottom perspective view thereof;

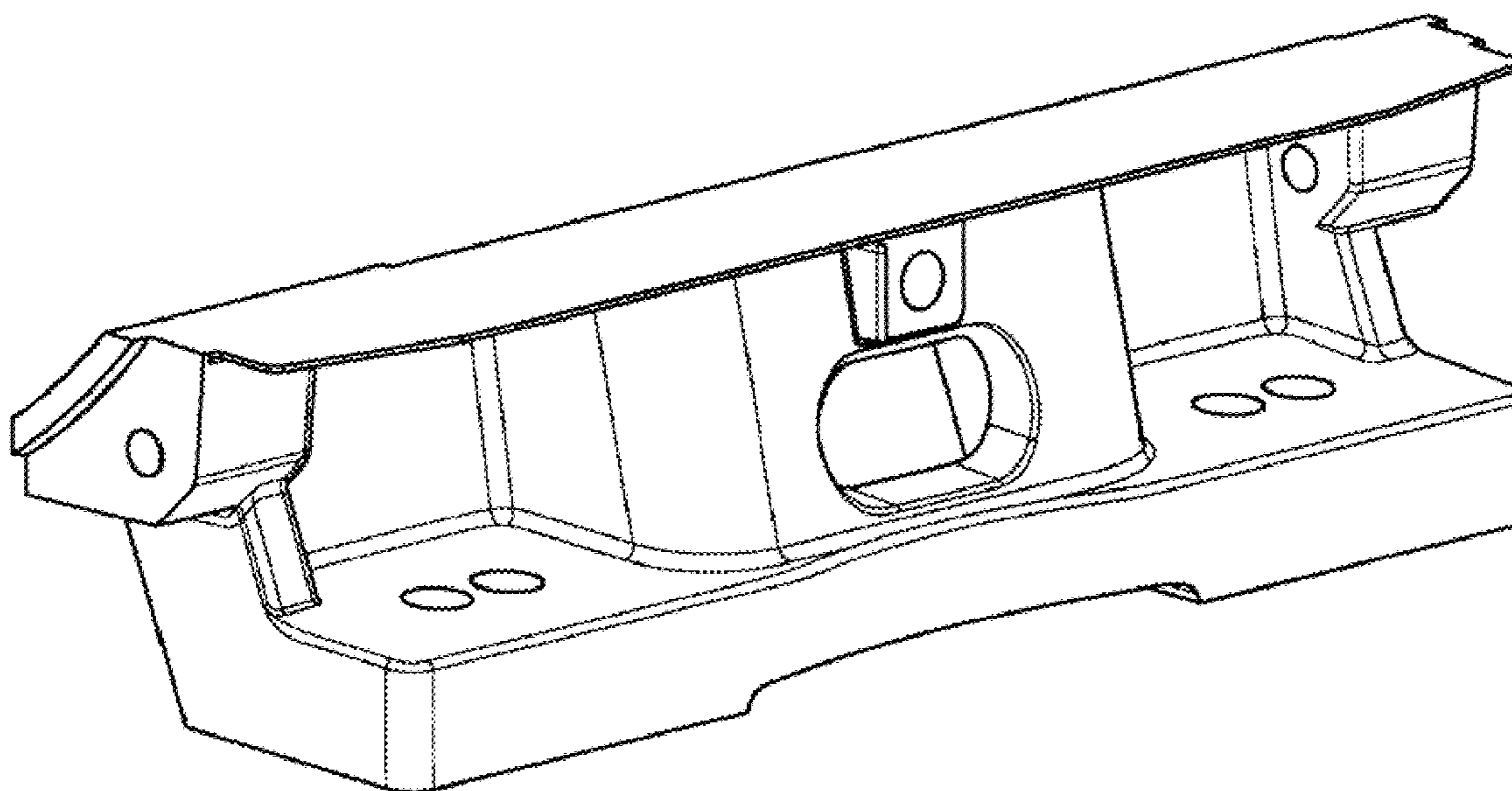
FIG. 4 is a front elevational view thereof;

FIG. 5 is a back elevational view thereof;

FIG. 6 is a bottom plan view thereof; and,

FIG. 7 is a right side elevational view thereof, the left side elevational view being a mirror image of the right side elevational view.

1 Claim, 3 Drawing Sheets



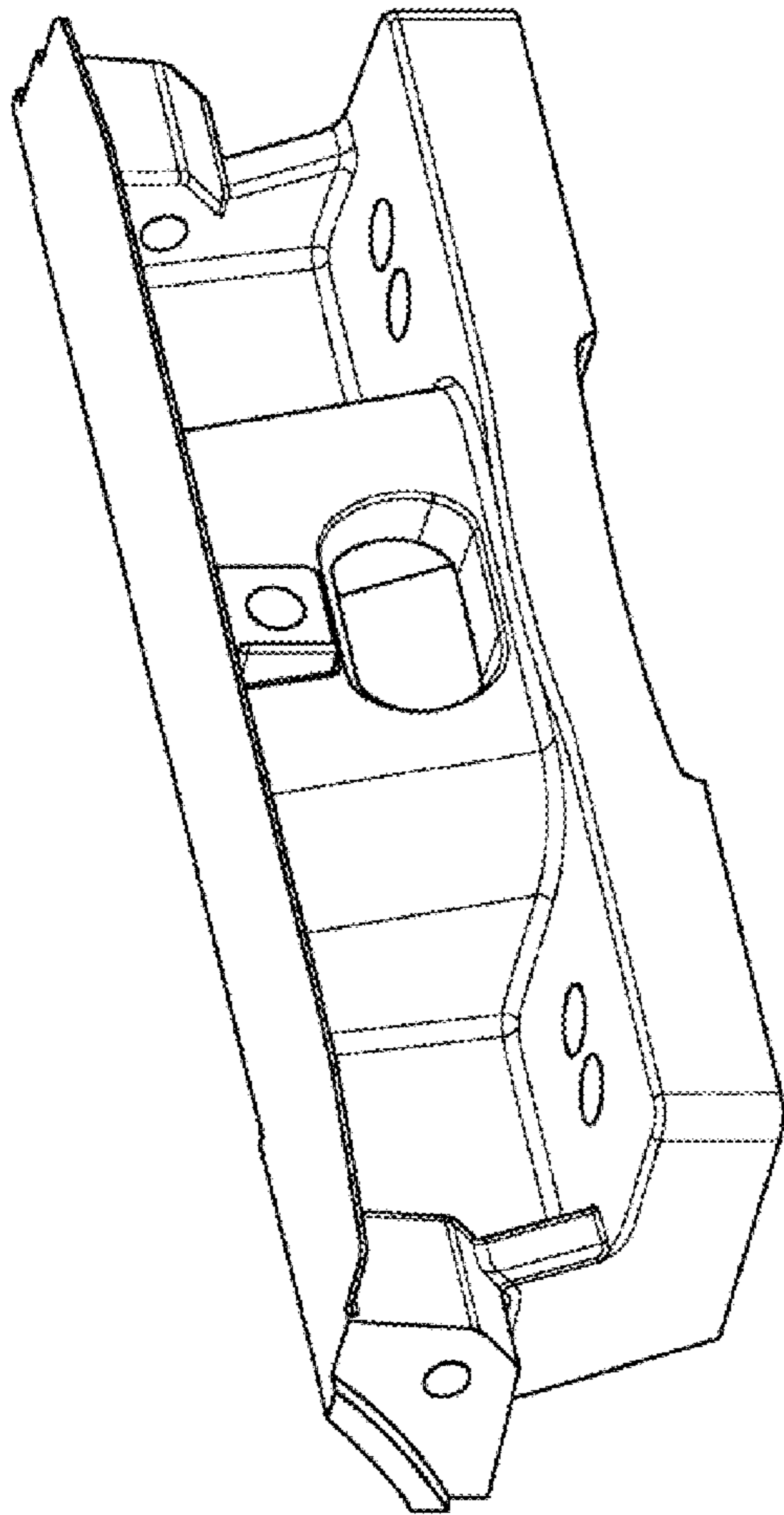


FIG. 1

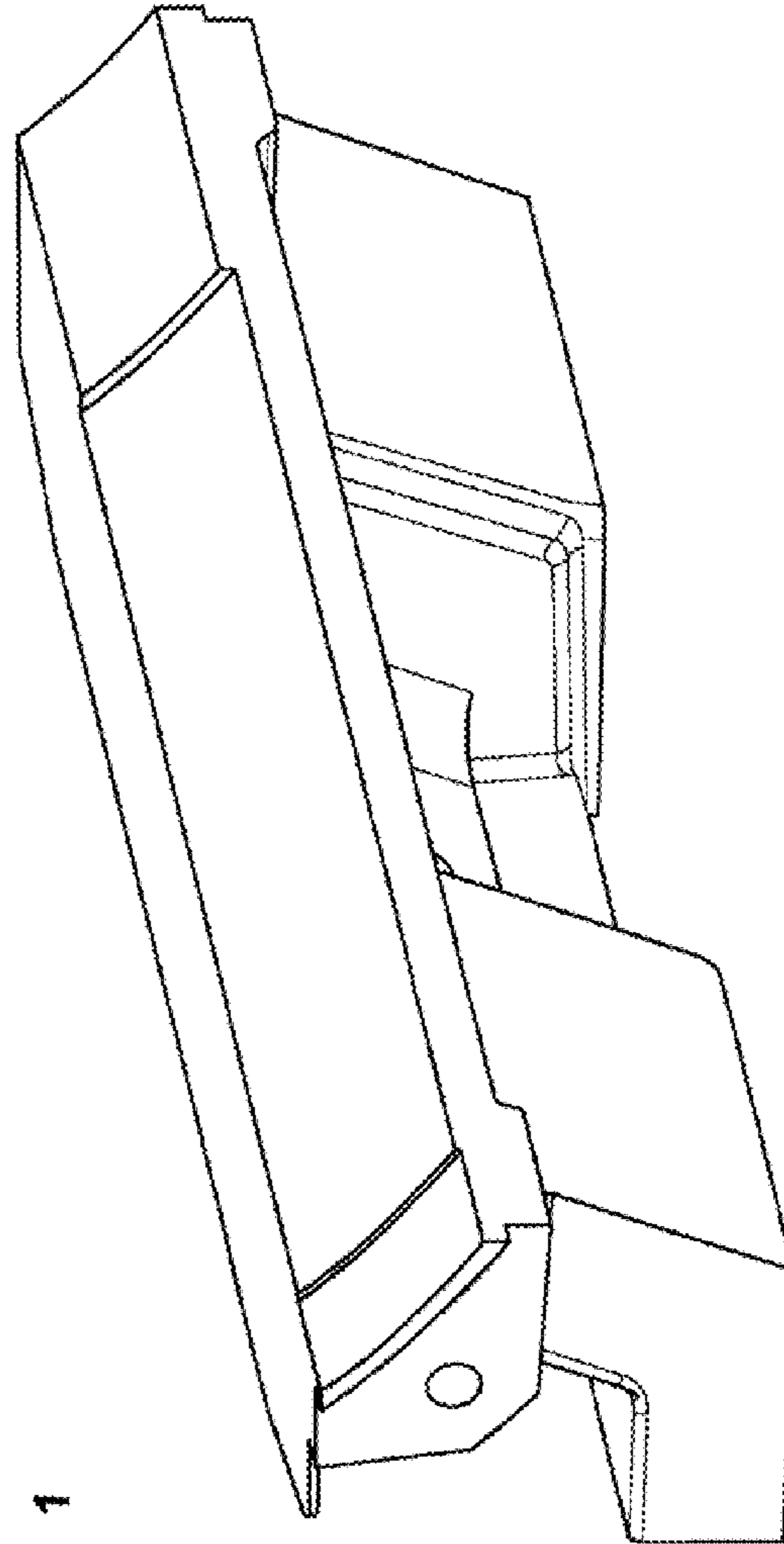


FIG. 2

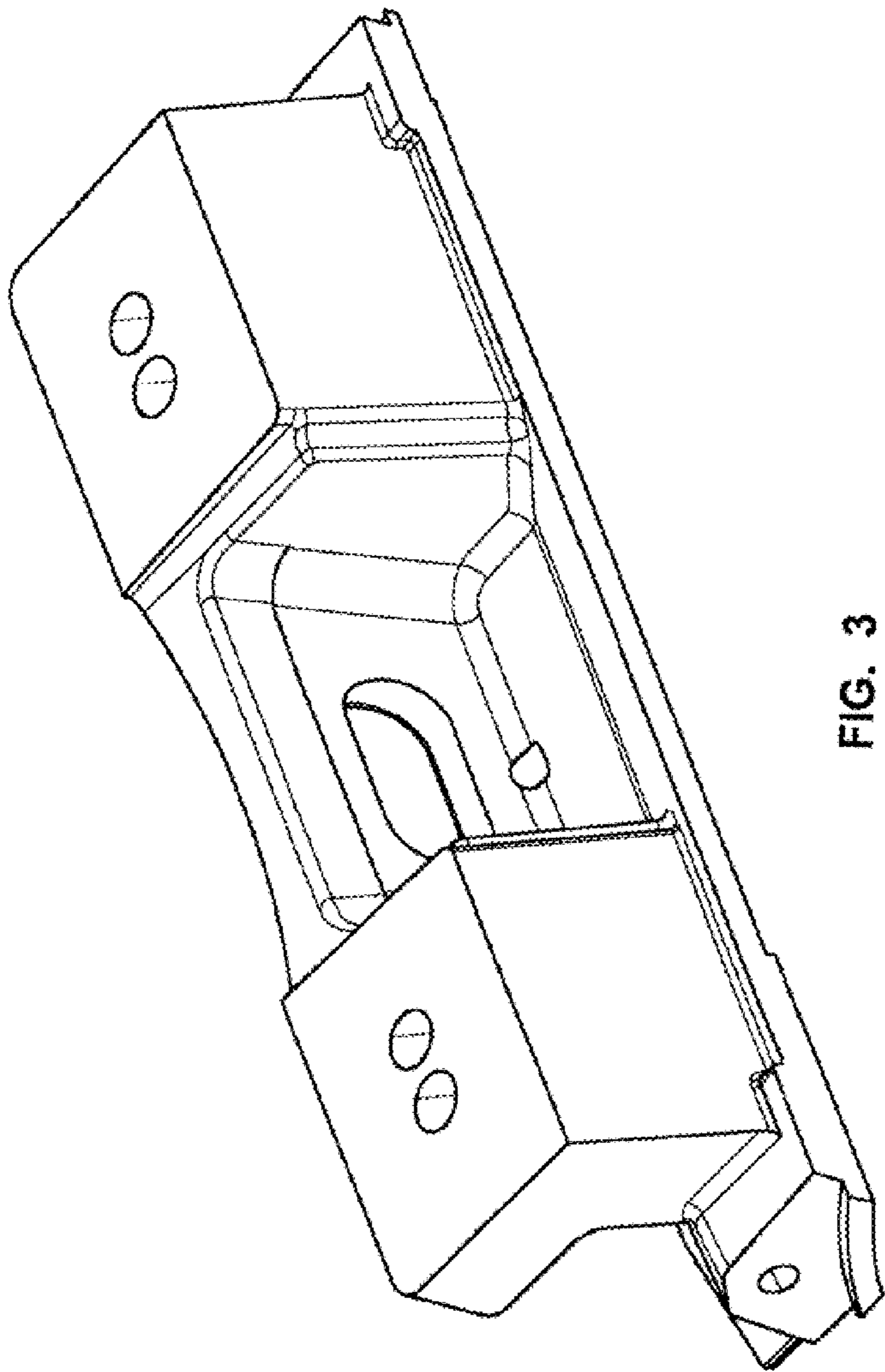


FIG. 3

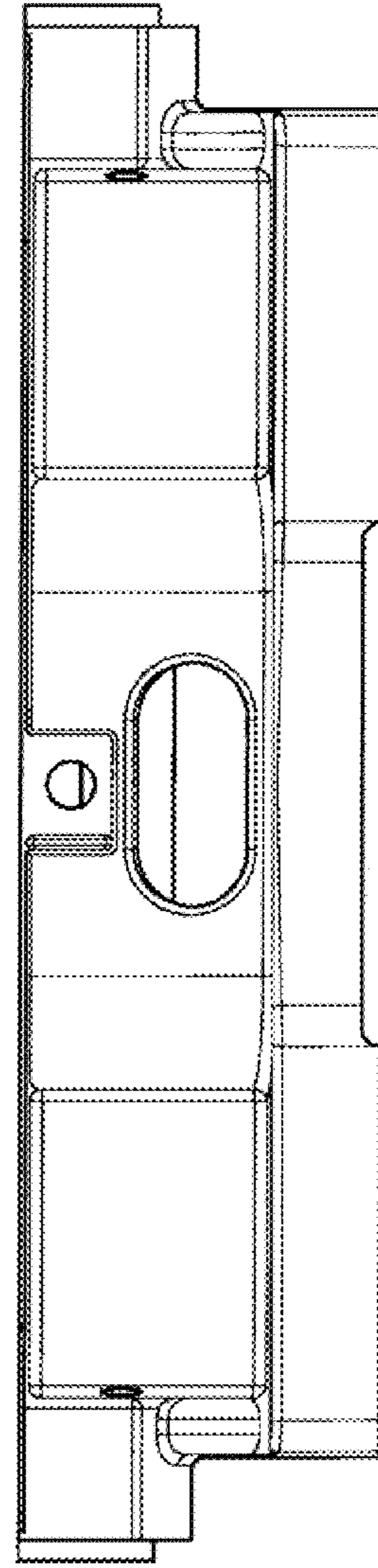


FIG. 4

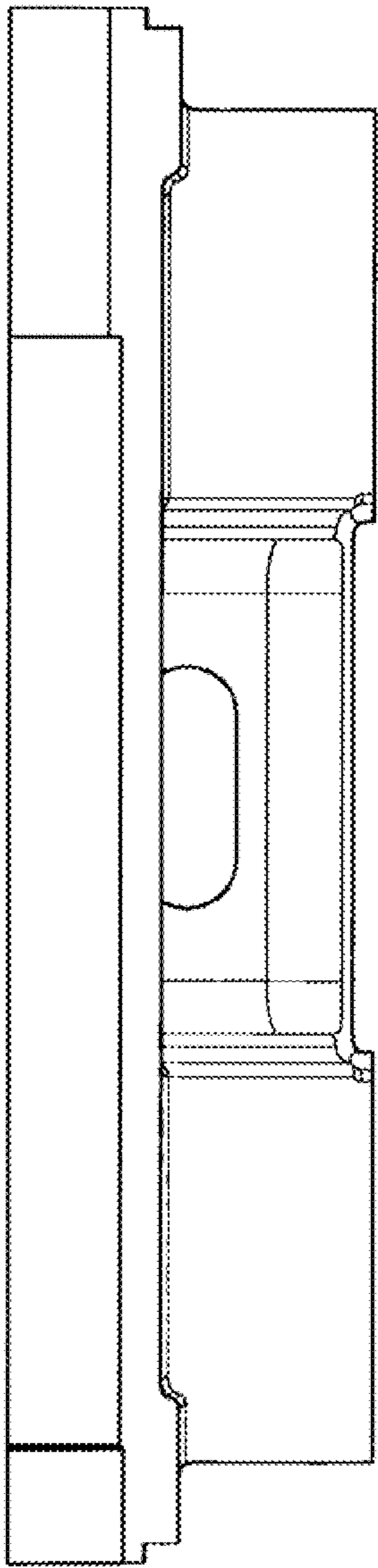


FIG. 5

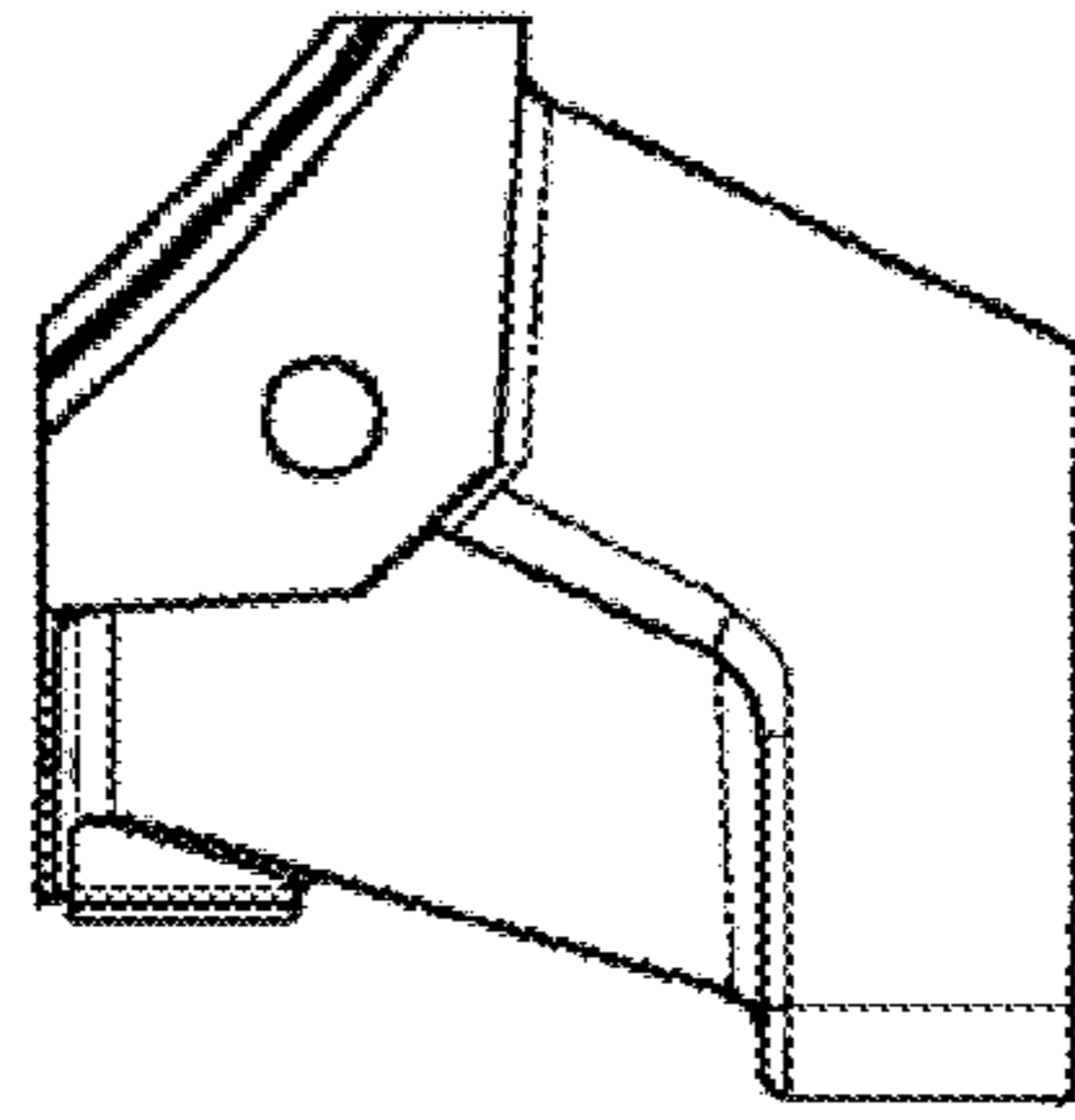


FIG. 7

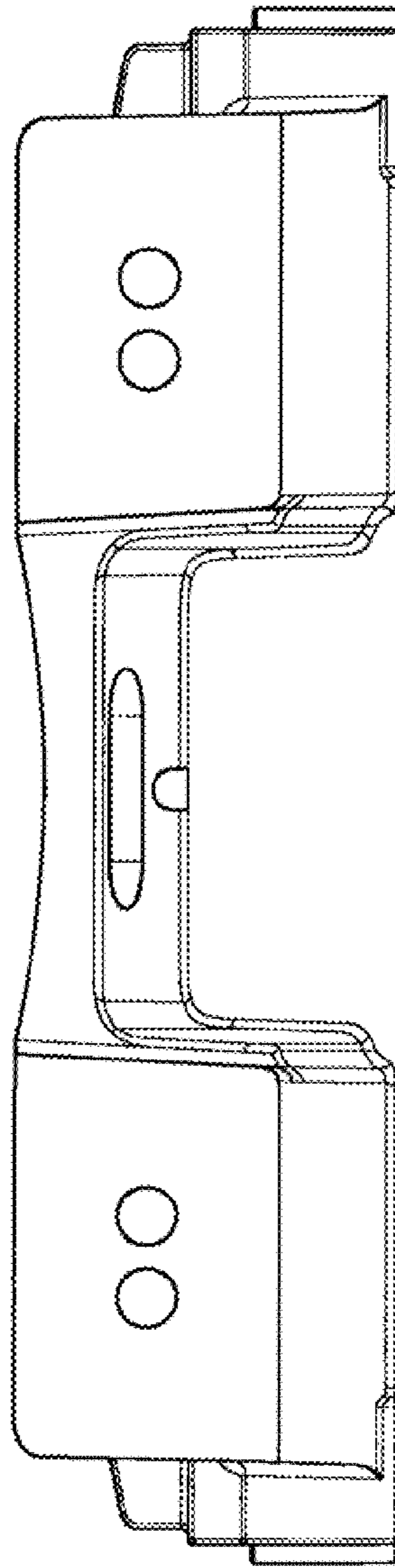


FIG. 6