



US00D621349S

(12) **United States Design Patent**
Nylen

(10) **Patent No.:** **US D621,349 S**

(45) **Date of Patent:** **** Aug. 10, 2010**

(54) **CHARGER**

(75) Inventor: **Tuomas Nylen**, Helsinki (FI)

(73) Assignee: **Nokia Corporation**, Espoo (FI)

(**) Term: **14 Years**

(21) Appl. No.: **29/357,286**

(22) Filed: **Mar. 10, 2010**

Related U.S. Application Data

(62) Division of application No. 29/343,337, filed on Sep. 10, 2006, now Pat. No. Des. 614,130.

(51) **LOC (9) Cl.** **13-02**

(52) **U.S. Cl.** **D13/108**

(58) **Field of Classification Search** D13/107-110,
D13/133, 137.1-139.8, 118-119, 184, 199;
D14/251, 253, 432, 434; 320/107-115; 439/152-160,
439/484, 692, 694

See application file for complete search history.

(56) **References Cited**

U.S. PATENT DOCUMENTS

D124,999 S	2/1941	Judisch	
D212,233 S	9/1968	Mas	
D374,657 S	10/1996	Beranek	
5,676,568 A	10/1997	Weber	
D389,457 S *	1/1998	Beranek D13/133
D396,446 S	7/1998	Kettula et al.	
D399,822 S	10/1998	Starec et al.	
D400,854 S *	11/1998	Beranek D13/133
D432,497 S	10/2000	Totsuka et al.	
D434,378 S	11/2000	Ullmann	
D449,030 S *	10/2001	Baxter et al. D13/110
6,320,353 B1	11/2001	Chiu et al.	
D452,841 S	1/2002	Tuhkanen	

D463,366 S *	9/2002	MacKay D13/138.1
D481,674 S	11/2003	Sade et al.	
D526,272 S	8/2006	Sade et al.	
D543,147 S	5/2007	Ng	
D544,833 S	6/2007	Sade et al.	
D562,766 S	2/2008	Yang	
D573,532 S	7/2008	Yang	
D583,316 S	12/2008	Sade et al.	
D583,317 S	12/2008	Kagami et al.	
D583,318 S	12/2008	Kagami et al.	
D587,192 S	2/2009	McGinley et al.	
D587,193 S	2/2009	McGinley et al.	
D591,233 S	4/2009	Kagami et al.	
D592,133 S	5/2009	Dong	
D595,224 S	6/2009	Seil et al.	
7,638,968 B2	12/2009	Inoue et al.	
2009/0289596 A1	11/2009	McGinley et al.	
2009/0298314 A1	12/2009	Tseng	

* cited by examiner

Primary Examiner—Rosemary K Tarcza

(74) *Attorney, Agent, or Firm*—Banner & Witcoff, Ltd.

(57) **CLAIM**

The ornamental design for a charger, as shown and described.

DESCRIPTION

FIG. 1 is a perspective front view of a charger showing my new design;

FIG. 2 is a front view thereof;

FIG. 3 is a rear view thereof;

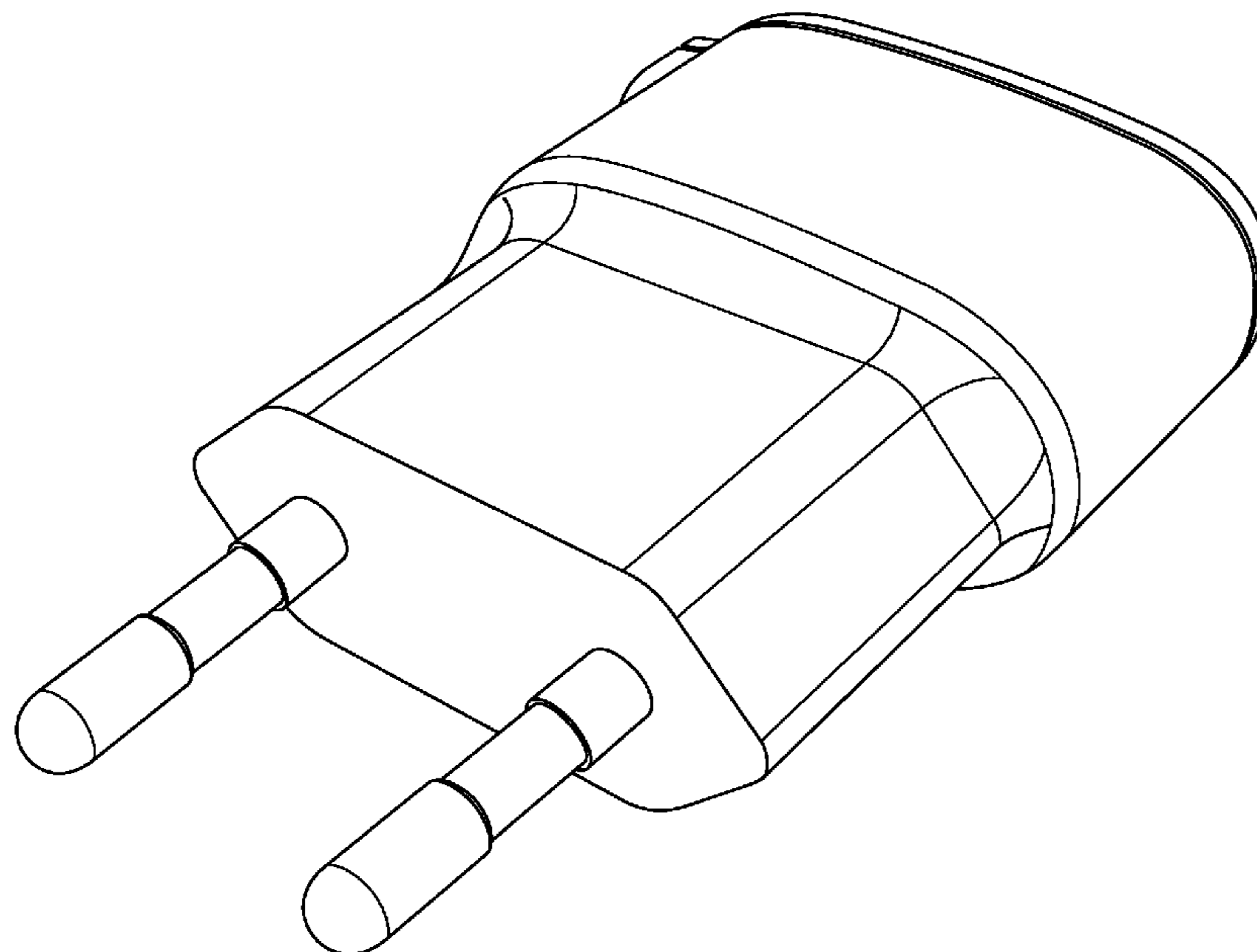
FIG. 4 is right side view thereof;

FIG. 5 is a left side view thereof;

FIG. 6 is a top view thereof; and,

FIG. 7 is a bottom view thereof.

1 Claim, 5 Drawing Sheets



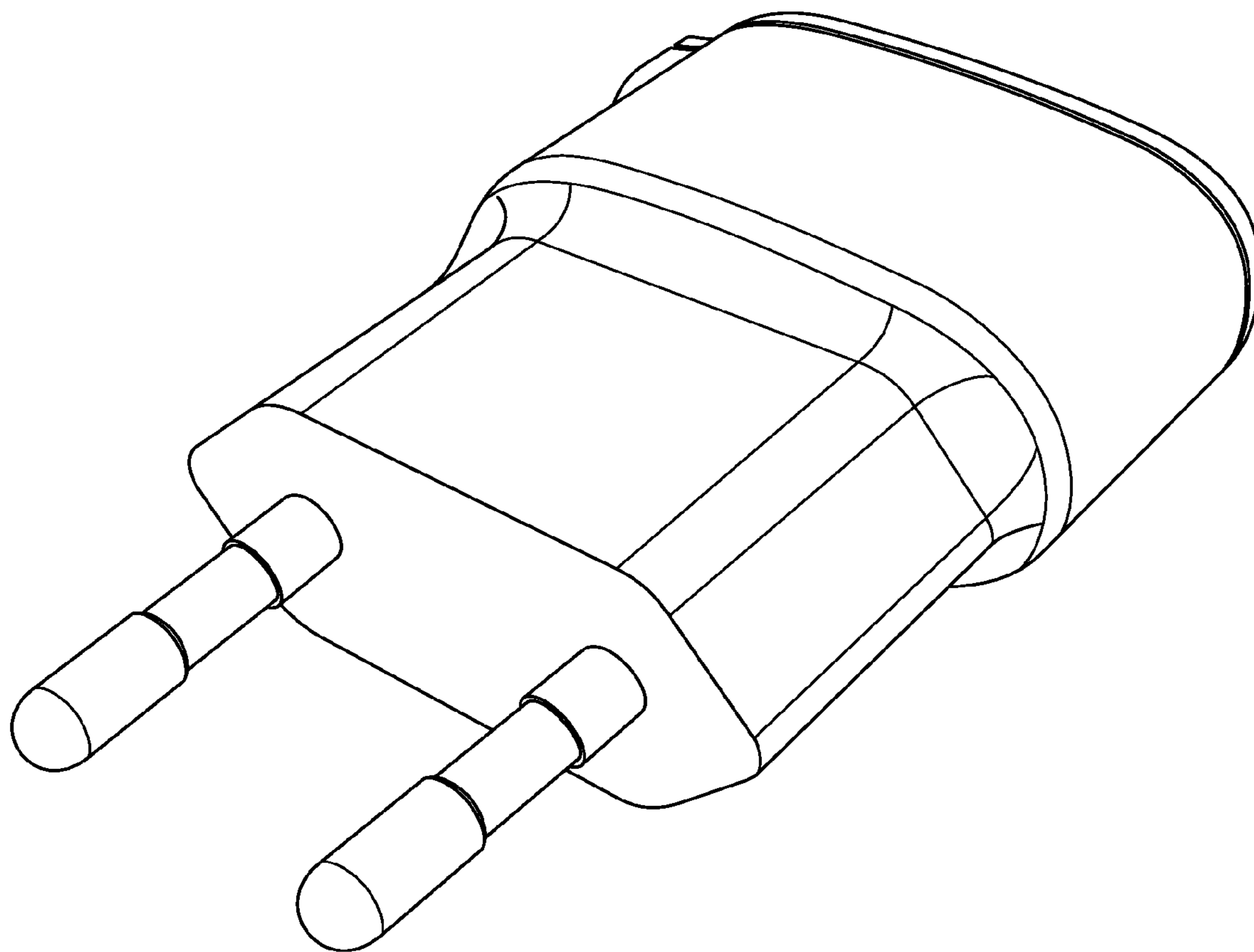


FIG. 1

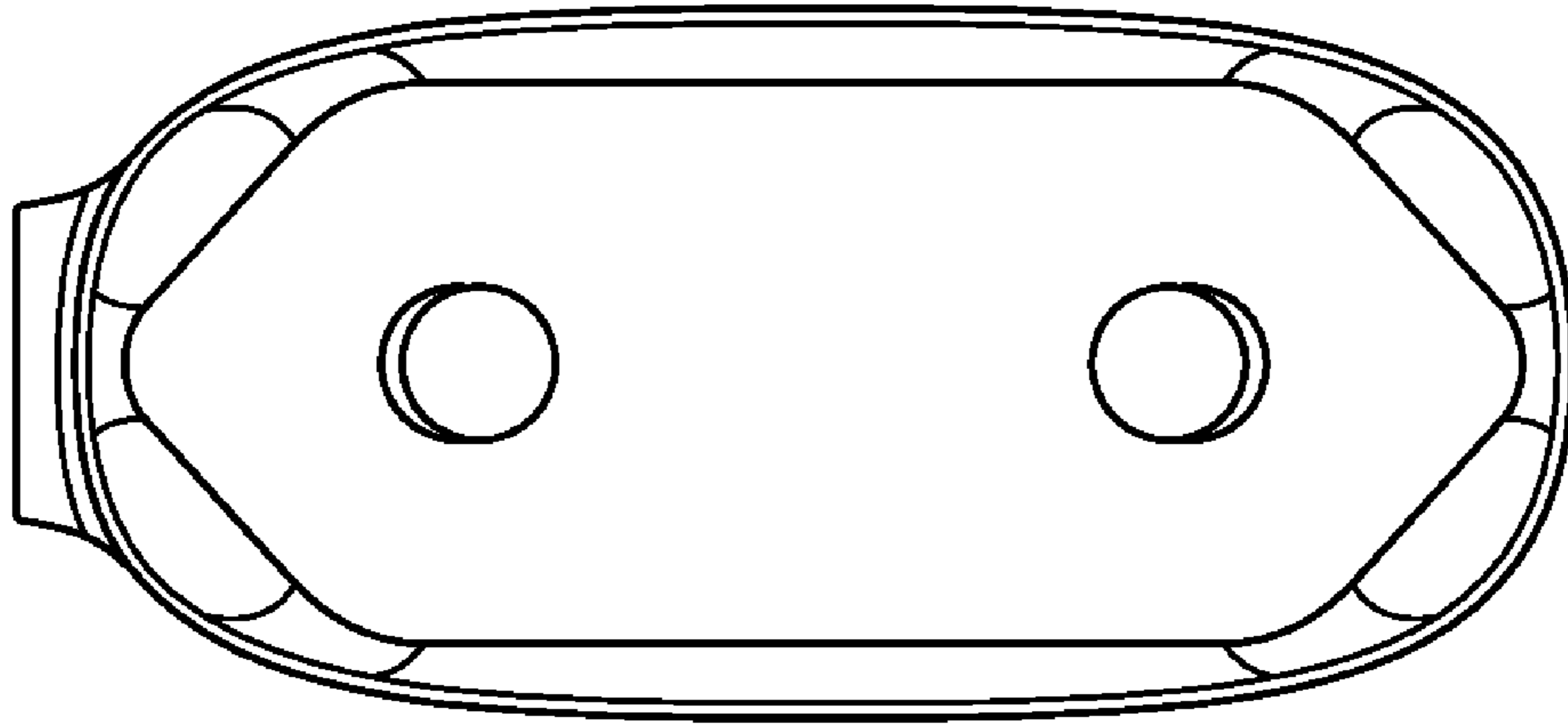


FIG. 2

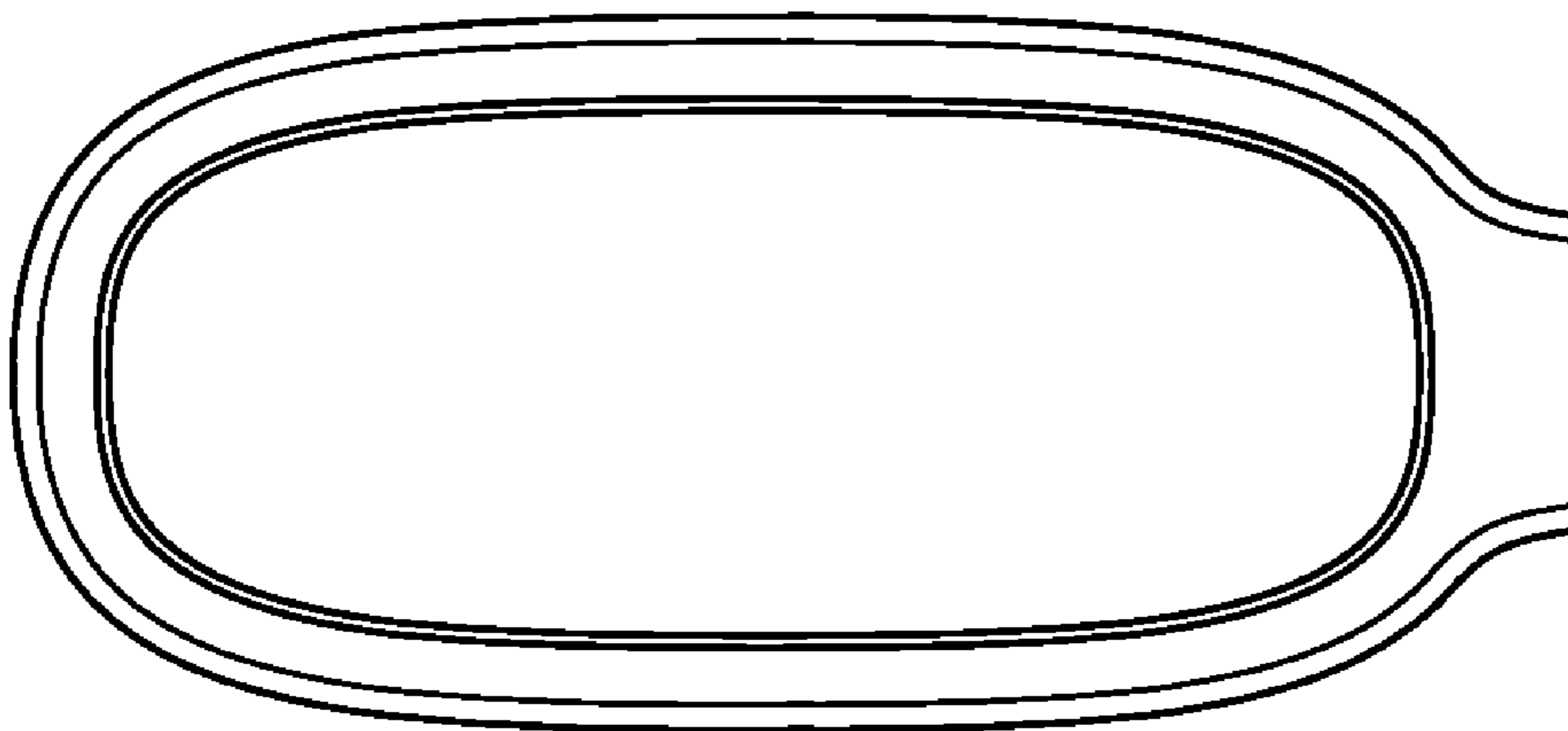


FIG. 3

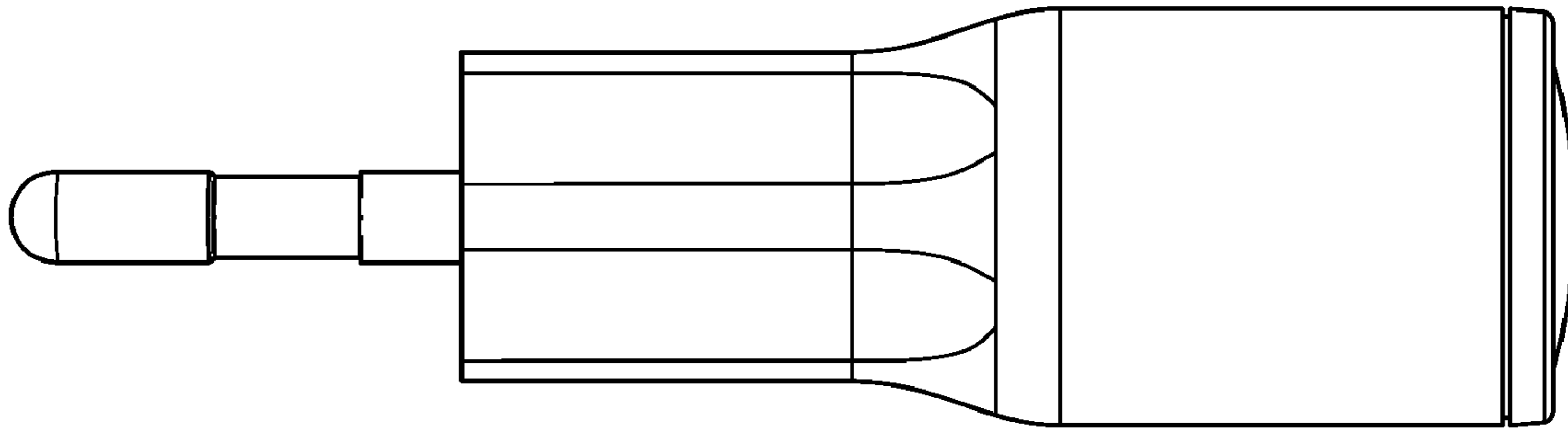


FIG. 4

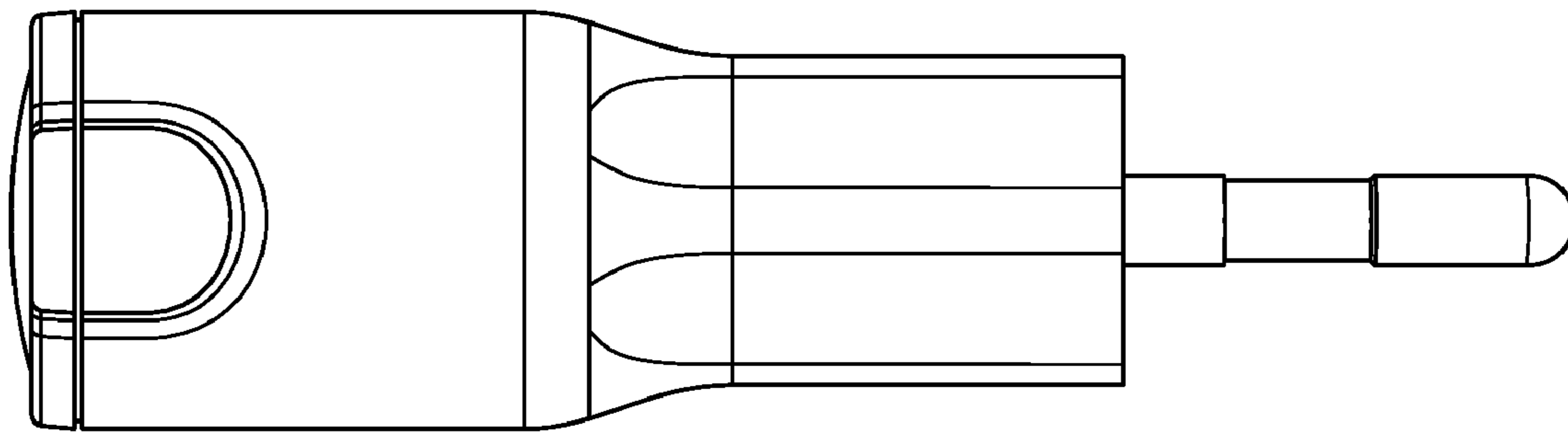


FIG. 5

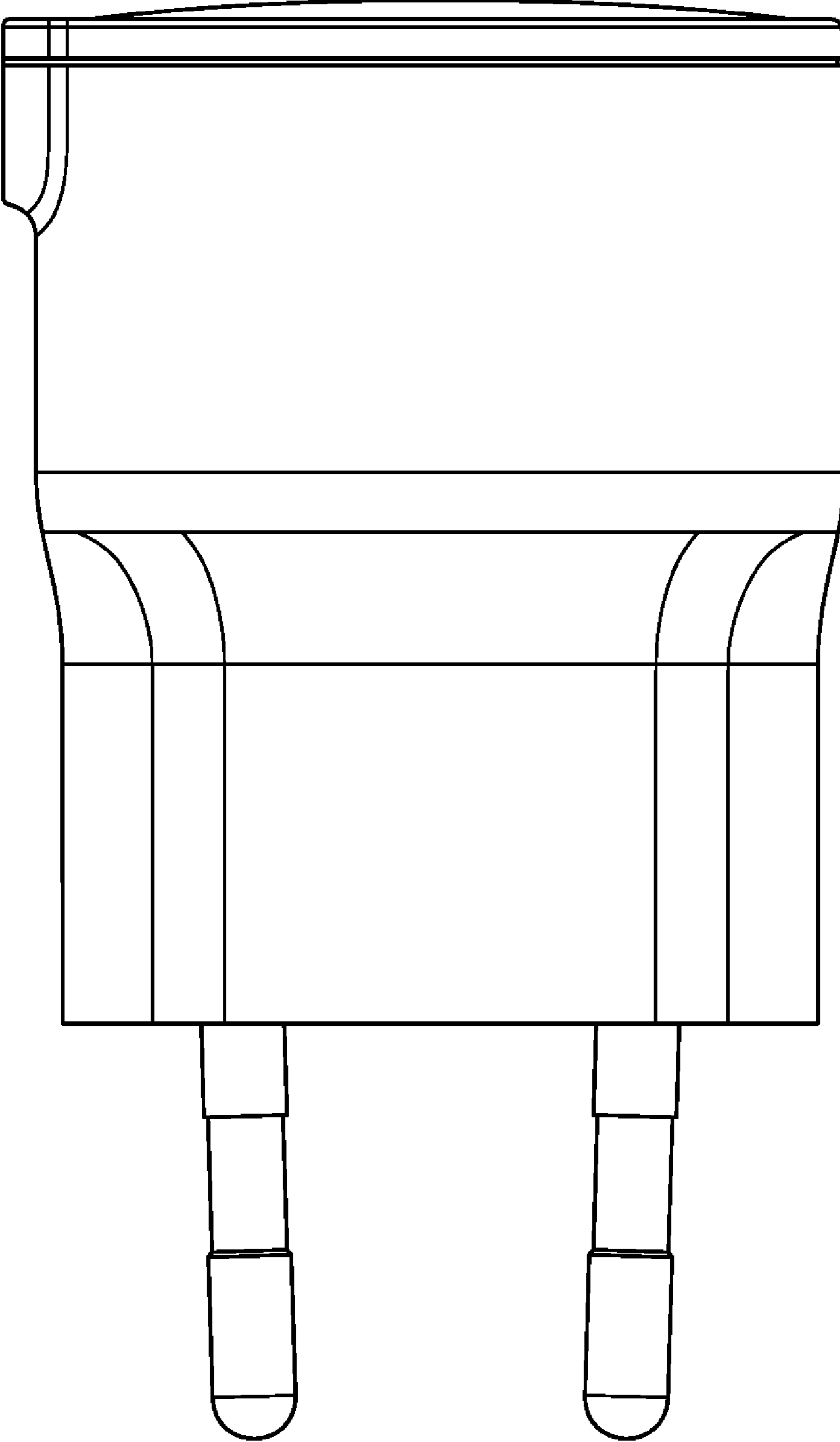


FIG. 6

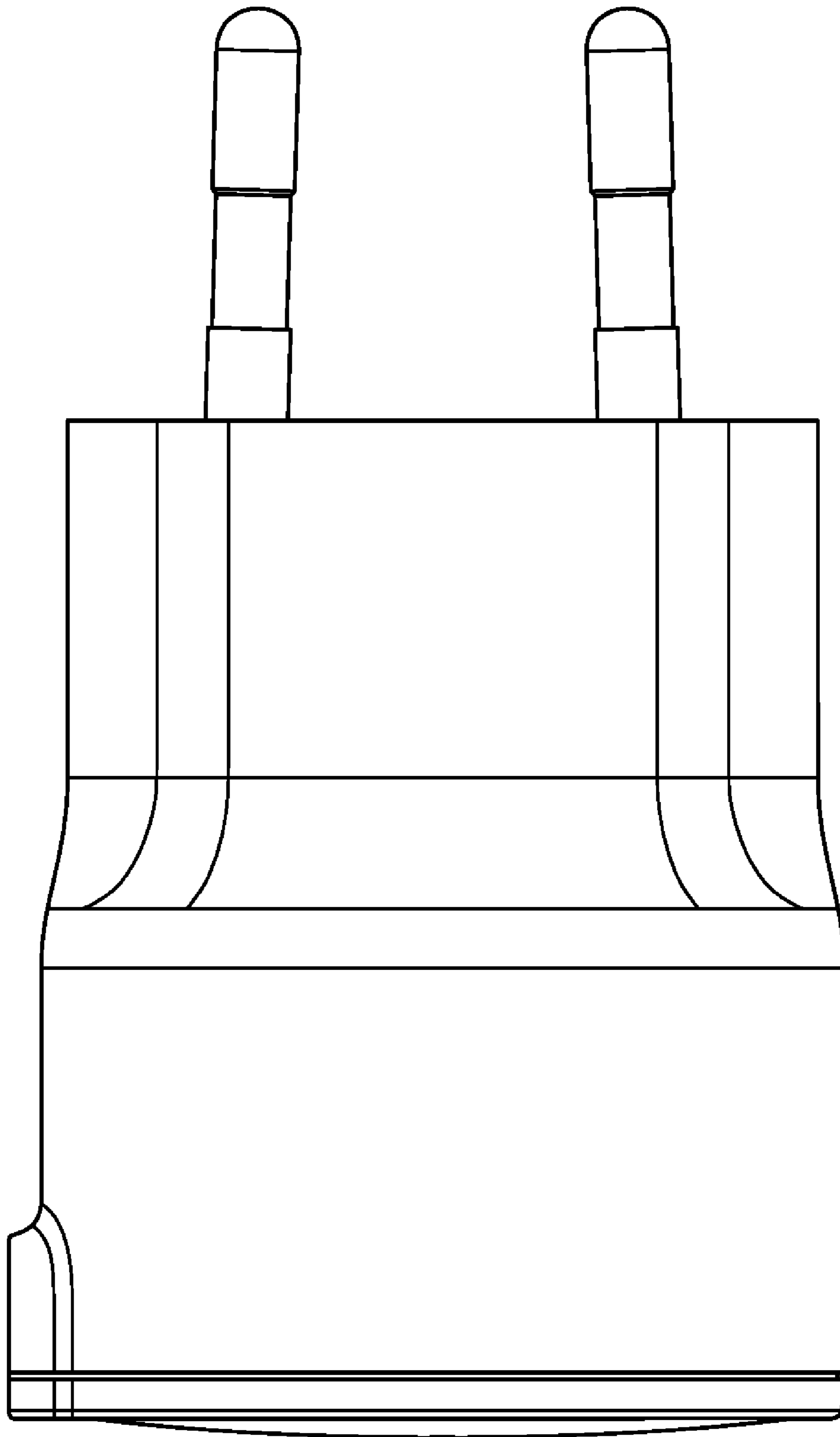


FIG. 7