

US00D621347S

(12) **United States Design Patent**
Aulwes et al.

(10) **Patent No.:** **US D621,347 S**
(45) **Date of Patent:** **** Aug. 10, 2010**

(54) **HAIR CLIPPER CHARGING STAND**

(75) Inventors: **Chad Aulwes**, Sterling, IL (US); **Darrell Wallace**, Walnut, IL (US)

(73) Assignee: **Wahl Clipper Corporation**, Sterling, IL (US)

(**) Term: **14 Years**

(21) Appl. No.: **29/356,033**

(22) Filed: **Feb. 18, 2010**

(51) **LOC (9) Cl.** **13-02**

(52) **U.S. Cl.** **D13/108; D28/73**

(58) **Field of Classification Search** D13/107–110,
D13/118–119, 184, 199; D14/251, 253,
D14/432, 434; 320/107–115; D28/73
See application file for complete search history.

(56) **References Cited**

U.S. PATENT DOCUMENTS

D460,971 S *	7/2002	Sica et al.	D14/434
D462,321 S *	9/2002	Ullmann	D13/108
D466,700 S *	12/2002	Richmond et al.	D4/199
D469,221 S	1/2003	Cozzolino et al.		
D471,578 S *	3/2003	Okuley	D16/242
D501,205 S *	1/2005	Quinn	D14/253
D512,686 S	12/2005	Langley et al.		
D513,341 S *	12/2005	Ullmann	D28/44
D516,022 S *	2/2006	Winkler	D13/108
D516,025 S *	2/2006	Quinn	D13/108
D519,682 S	4/2006	Choi		
7,057,374 B2	6/2006	Freas et al.		

D524,988 S	7/2006	Nielsen et al.		
D549,647 S *	8/2007	Nishizawa	D13/108
D555,087 S *	11/2007	Brefka et al.	D13/107
D576,547 S *	9/2008	Kling et al.	D13/108
D578,061 S *	10/2008	Kristensen	D13/110
D615,491 S *	5/2010	Emminger	D13/108

* cited by examiner

Primary Examiner—Rosemary K Tarcza

(74) *Attorney, Agent, or Firm*—Greer, Burns & Crain, Ltd.

(57) **CLAIM**

The ornamental design for a hair clipper charging stand, as shown and described.

DESCRIPTION

FIG. 1 is a top perspective view of the present hair clipper charging stand;

FIG. 2 is a front view of same;

FIG. 3 is a rear view of the hair clipper charging stand of FIG. 1;

FIG. 4 is a left side view of same;

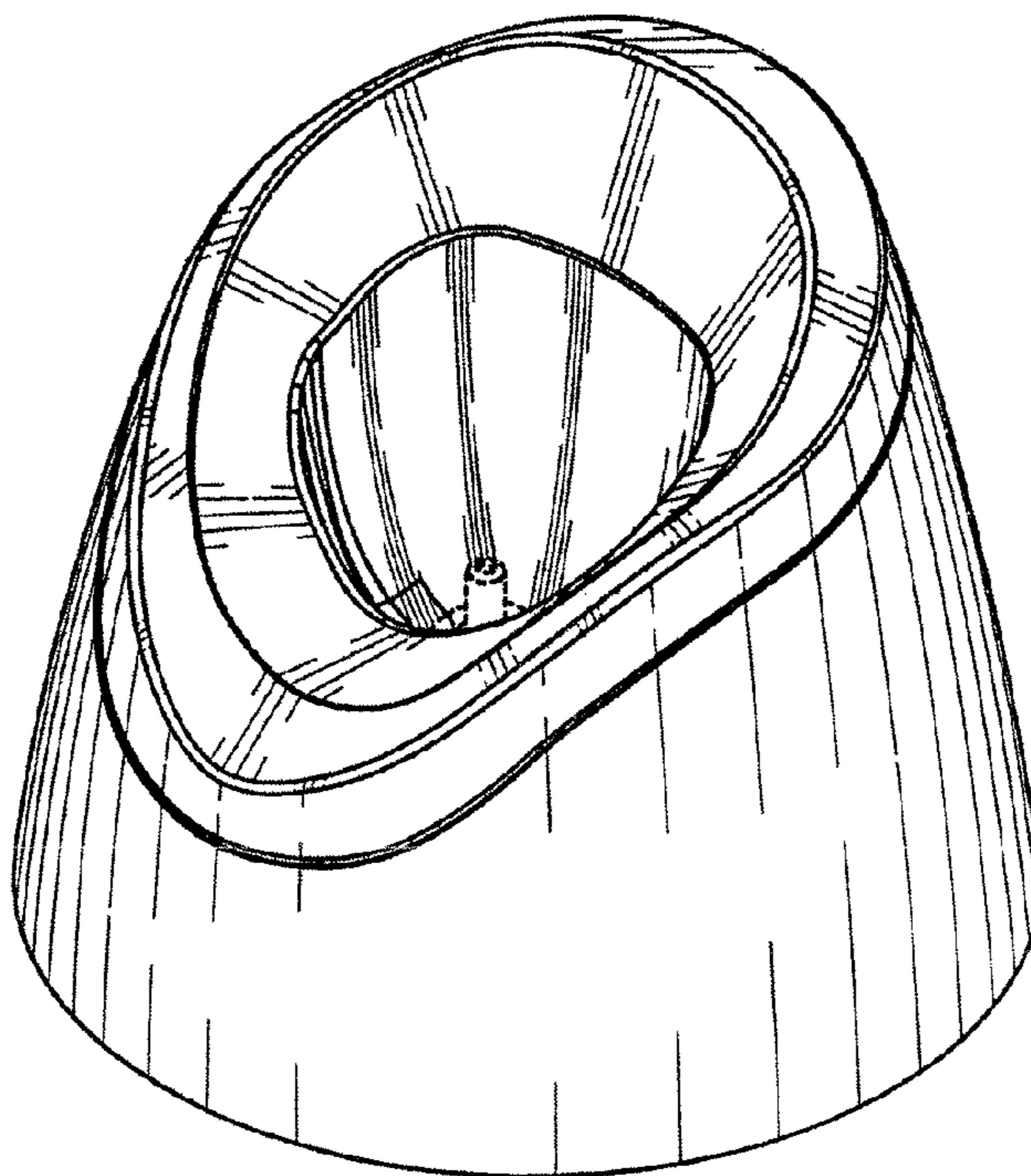
FIG. 5 is a right side view of same;

FIG. 6 is a top view of the present hair clipper charging stand; and,

FIG. 7 is a bottom view of same.

The broken lines shown in the drawings are included for the purpose of illustrating environmental structure and form no part of the claimed design.

1 Claim, 7 Drawing Sheets



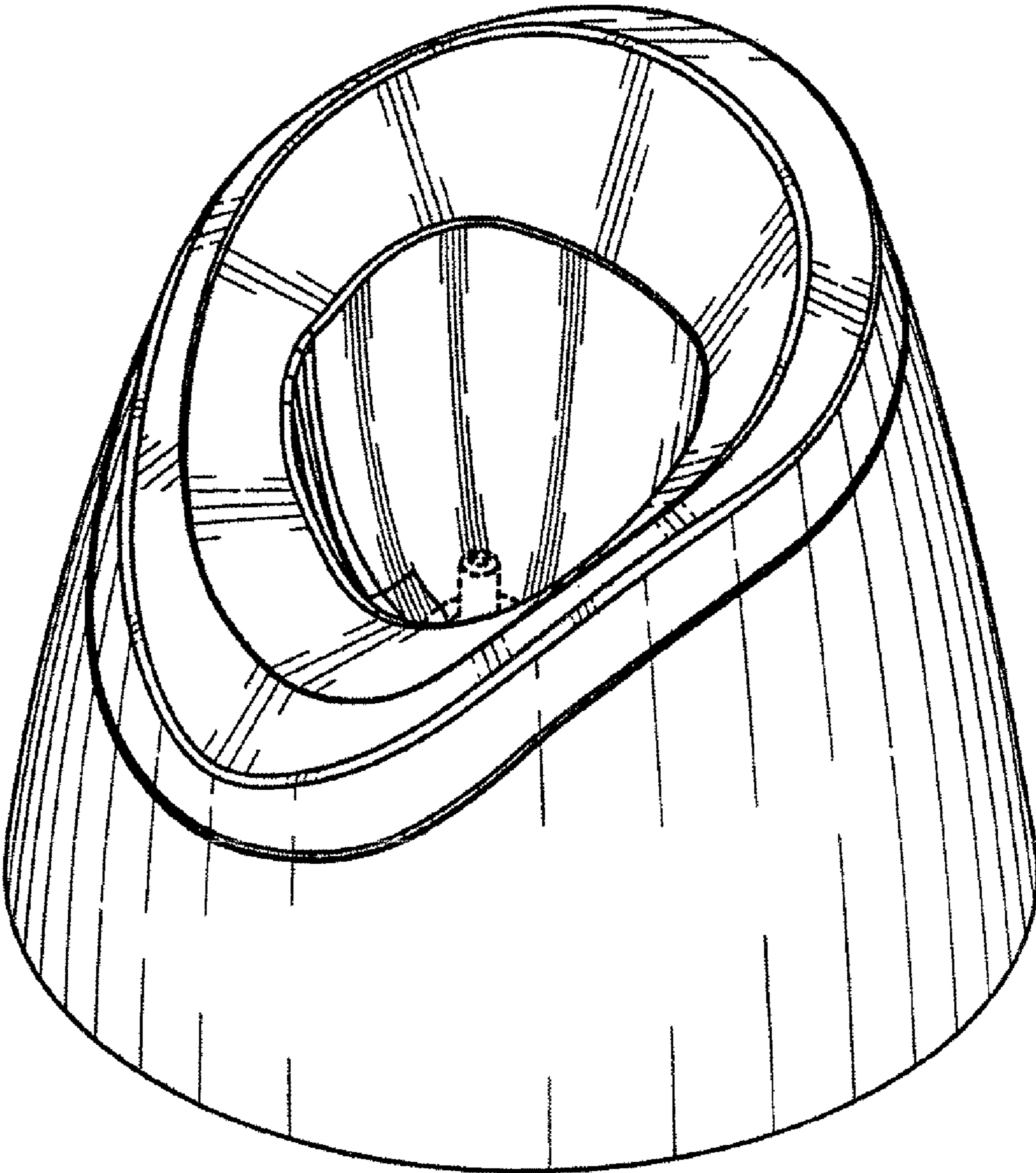


FIG. 1

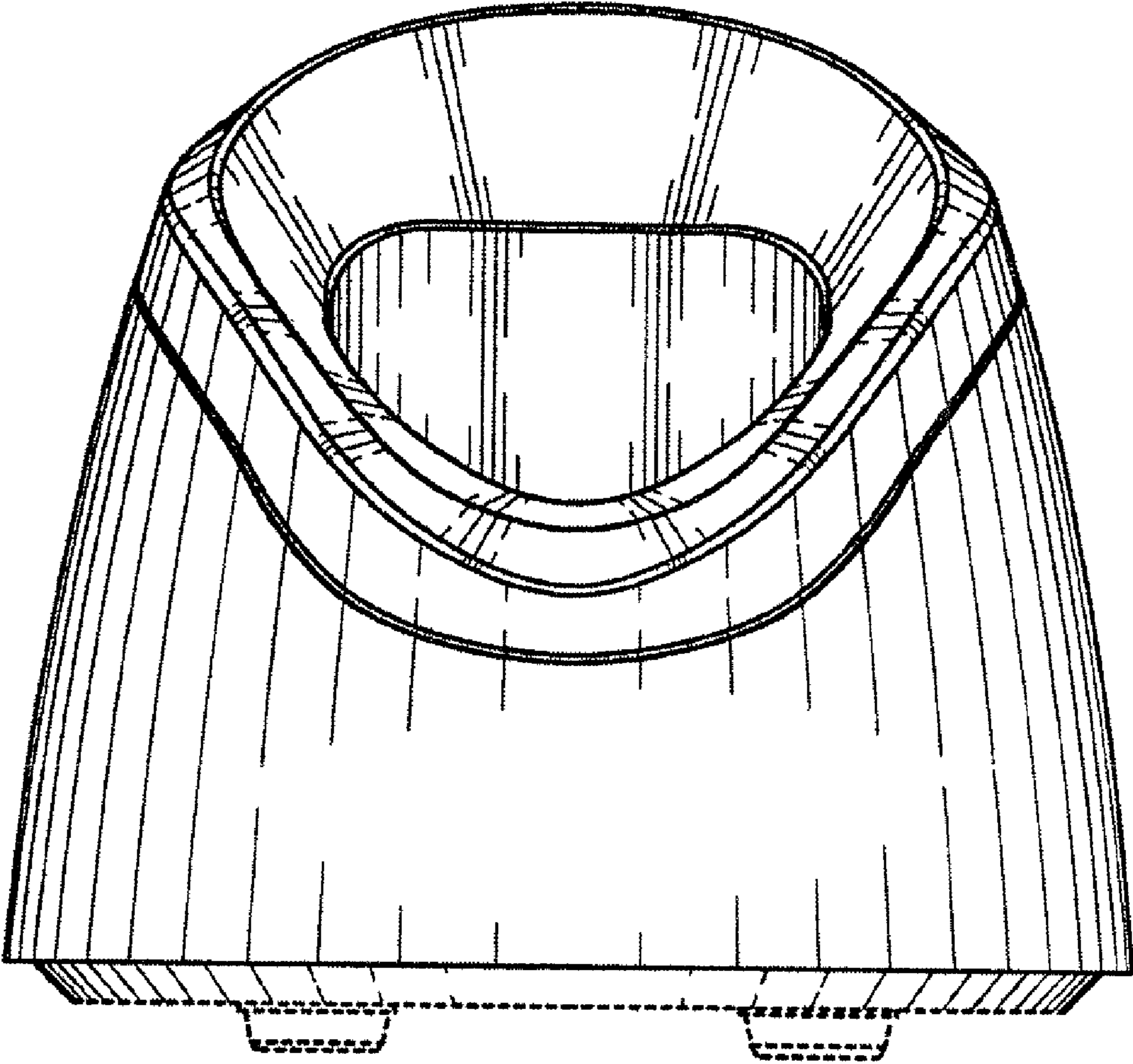


FIG. 2

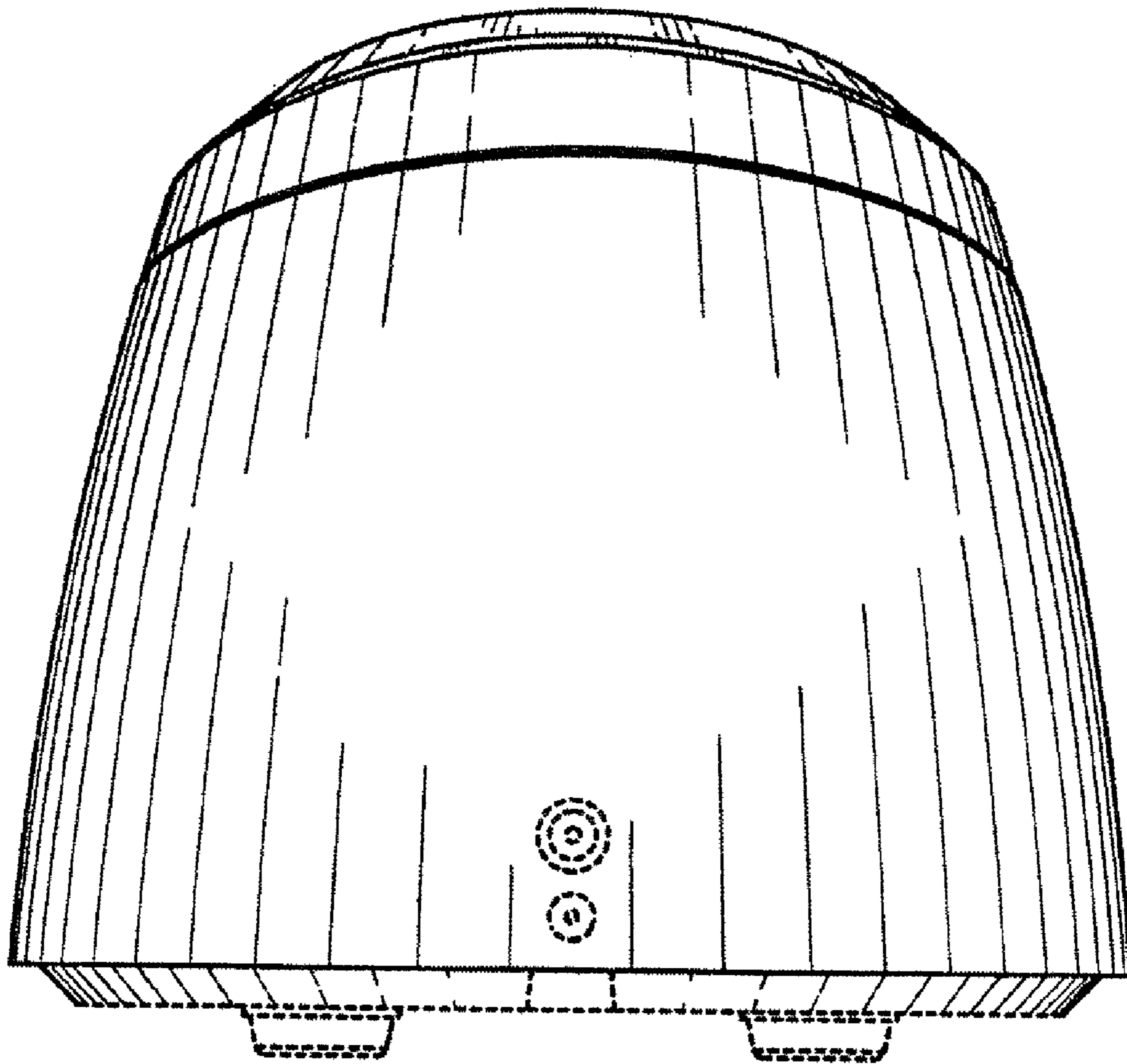


FIG. 3

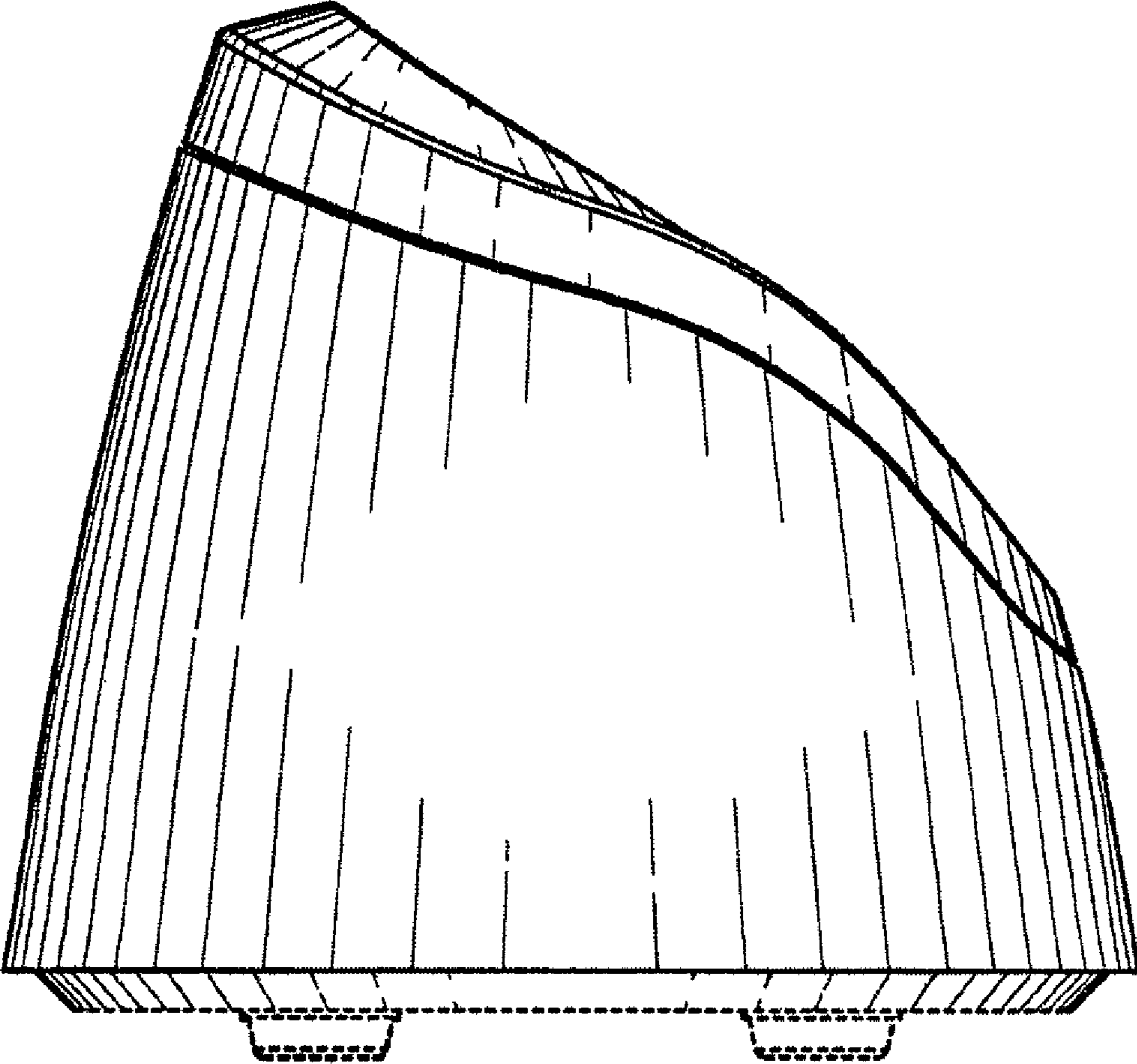


FIG. 4

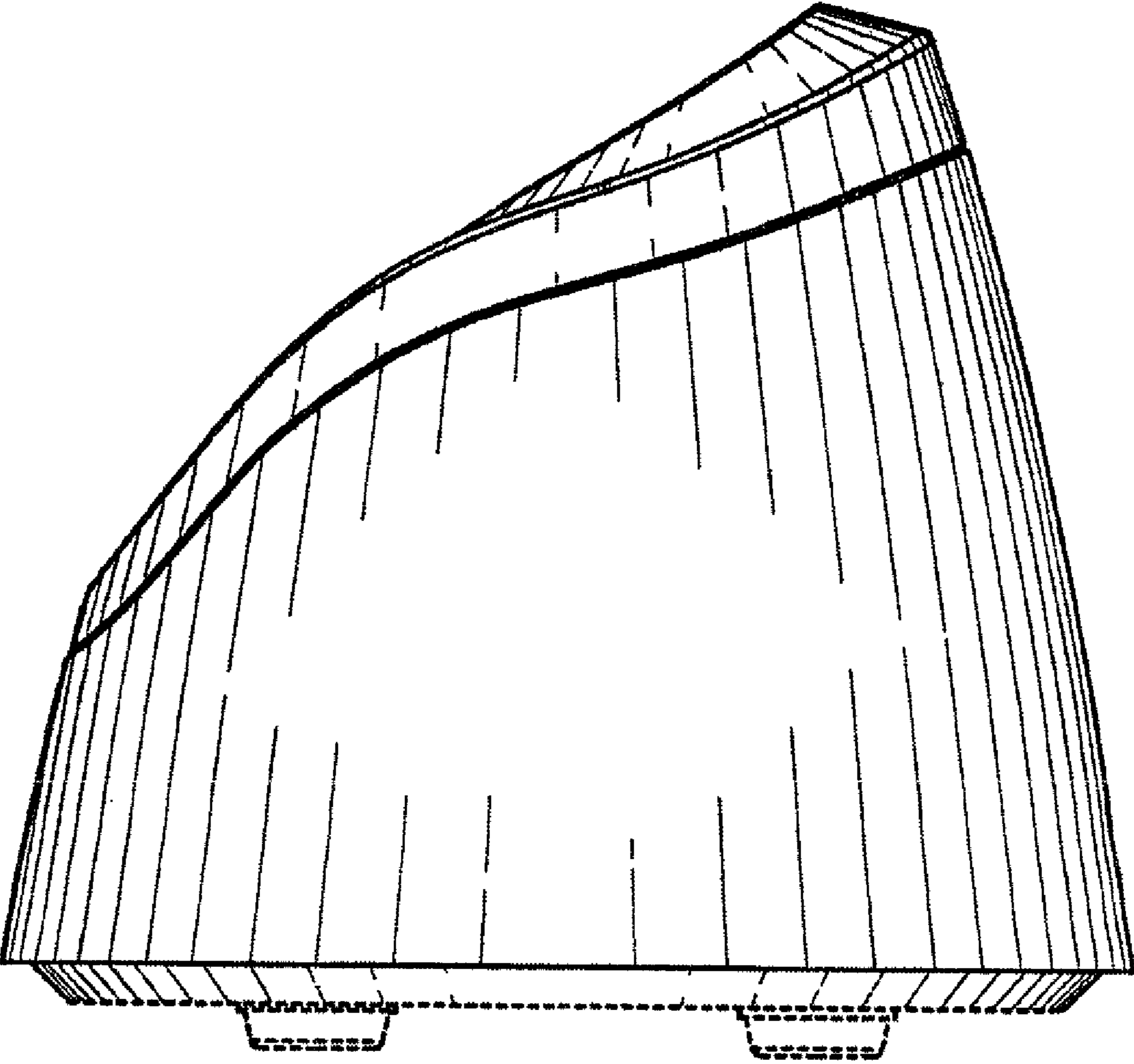


FIG. 5

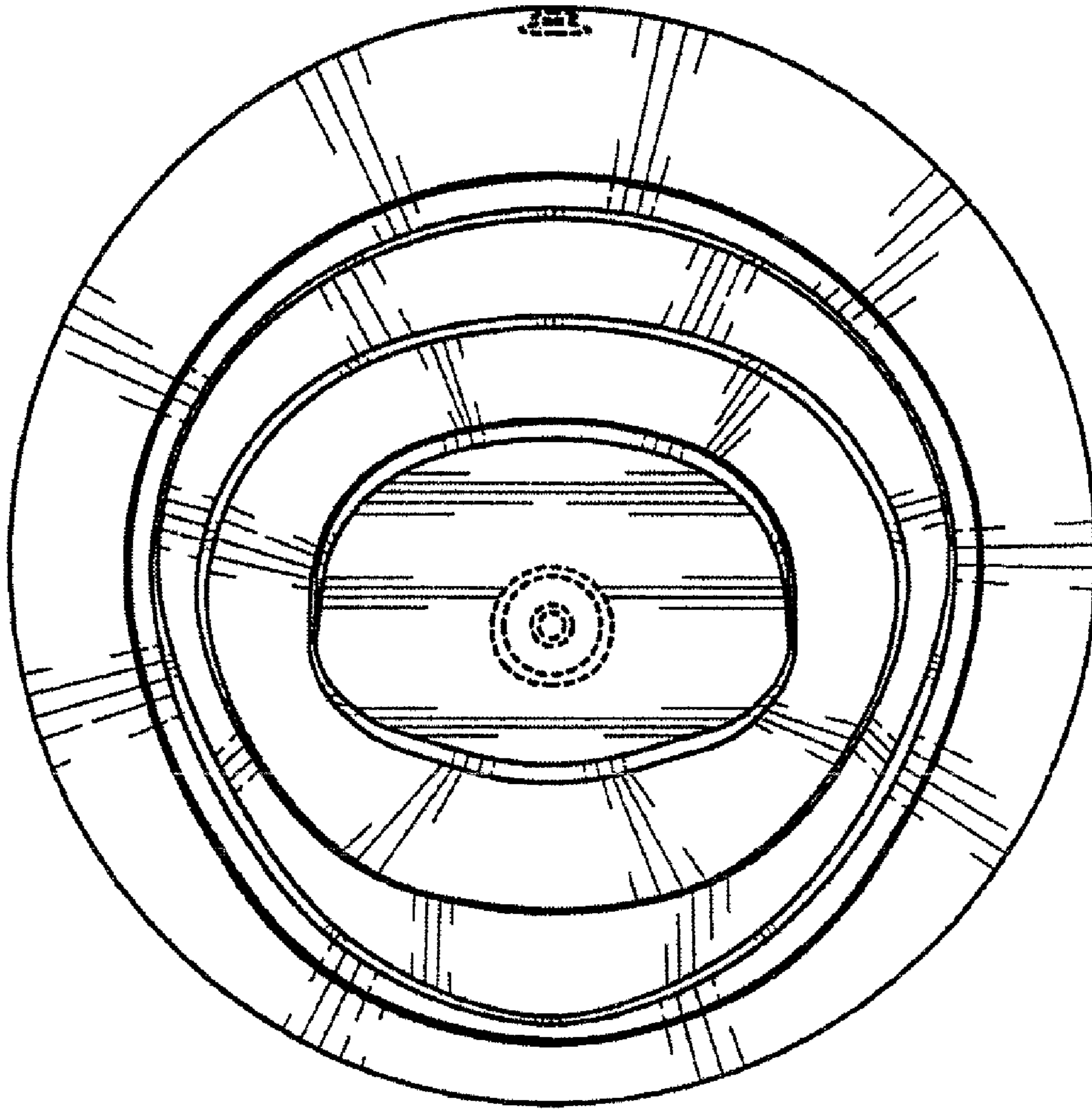


FIG. 6

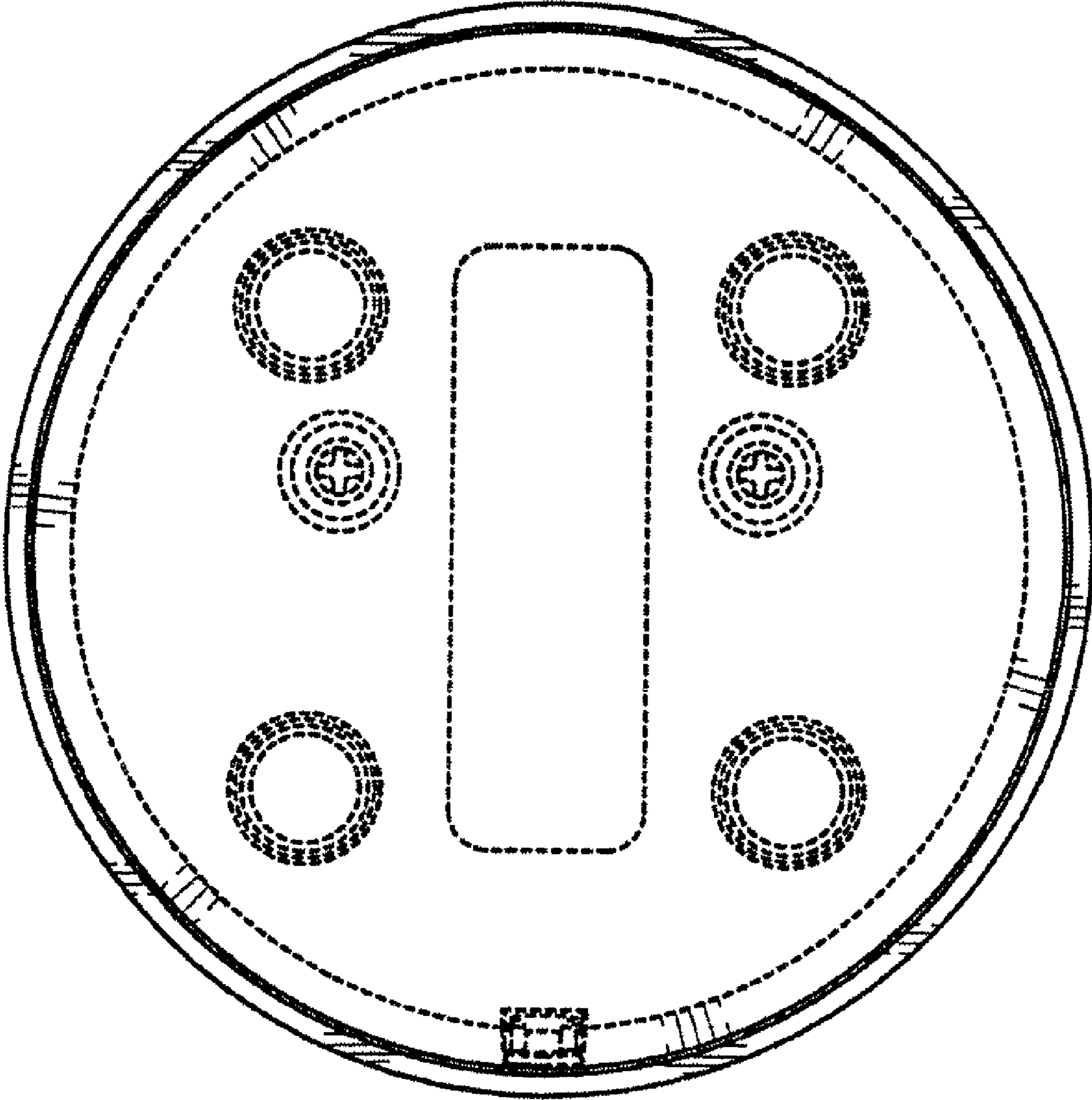


FIG. 7