



US00D621345S

(12) **United States Design Patent**  
**Tinius**

(10) **Patent No.:** **US D621,345 S**

(45) **Date of Patent:** **\*\* Aug. 10, 2010**

(54) **CHARGER**

(75) Inventor: **Michael Tinius**, Ulm (DE)

(73) Assignee: **Andreas Stihl AG & Co. KG**,  
Waiblingen (DE)

(\*\*) Term: **14 Years**

(21) Appl. No.: **29/341,913**

(22) Filed: **Aug. 14, 2009**

(30) **Foreign Application Priority Data**

Feb. 16, 2009 (EM) ..... 001094262-0004

(51) **LOC (9) Cl.** ..... **13-02**

(52) **U.S. Cl.** ..... **D13/107**

(58) **Field of Classification Search** ..... D13/107-110,  
D13/118-119, 184; D14/251, 253, 432,  
D14/434; 320/107-115

See application file for complete search history.

(56) **References Cited**

**U.S. PATENT DOCUMENTS**

D298,230 S	*	10/1988	Lay	.....	D13/107
D307,276 S	*	4/1990	Desbarats	.....	D14/149
D343,841 S	*	2/1994	Hon et al.	.....	D14/251
D460,412 S	*	7/2002	Nawrozki	.....	D13/107
D472,875 S	*	4/2003	Garvis et al.	.....	D13/107
D506,972 S	*	7/2005	Parel et al.	.....	D13/107

D522,964 S	*	6/2006	Watson	.....	D13/108
D547,265 S	*	7/2007	Aglassinger	.....	D13/108
D562,230 S	*	2/2008	Houghton	.....	D13/107
D562,762 S	*	2/2008	Saddlemire et al.	.....	D13/108
D573,089 S	*	7/2008	Mandel et al.	.....	D13/107
D580,855 S	*	11/2008	Haspil et al.	.....	D13/108

\* cited by examiner

*Primary Examiner*—Rosemary K Tarca

(74) *Attorney, Agent, or Firm*—McGuire Woods LLP

(57) **CLAIM**

I claim the ornamental design for a charger, as shown and described.

**DESCRIPTION**

FIG. 1 is a left front perspective view of the charger;

FIG. 2 is a right front perspective view of the charger shown in FIG. 1;

FIG. 3 is a front view of the charger shown in FIG. 1;

FIG. 4 is a right side view of the charger shown in FIG. 1;

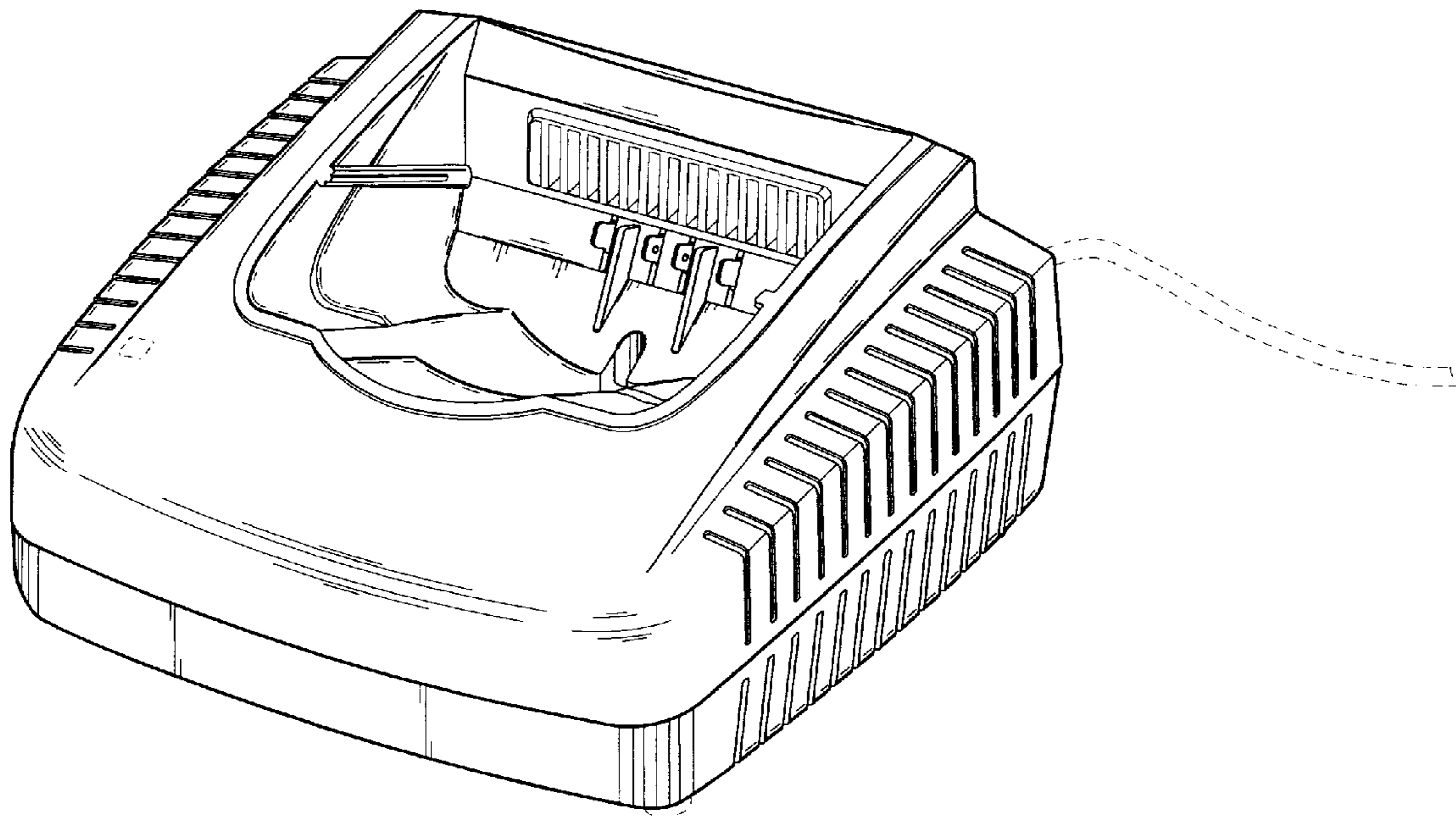
FIG. 5 is a back view of the charger shown in FIG. 1;

FIG. 6 is a top view of the charger shown in FIG. 1; and,

FIG. 7 is a bottom view of the charger shown in FIG. 1.

The subject matter shown in dashed lines, and any surfaces of the design not shown, including interior surfaces, form no part of the claimed invention.

**1 Claim, 7 Drawing Sheets**



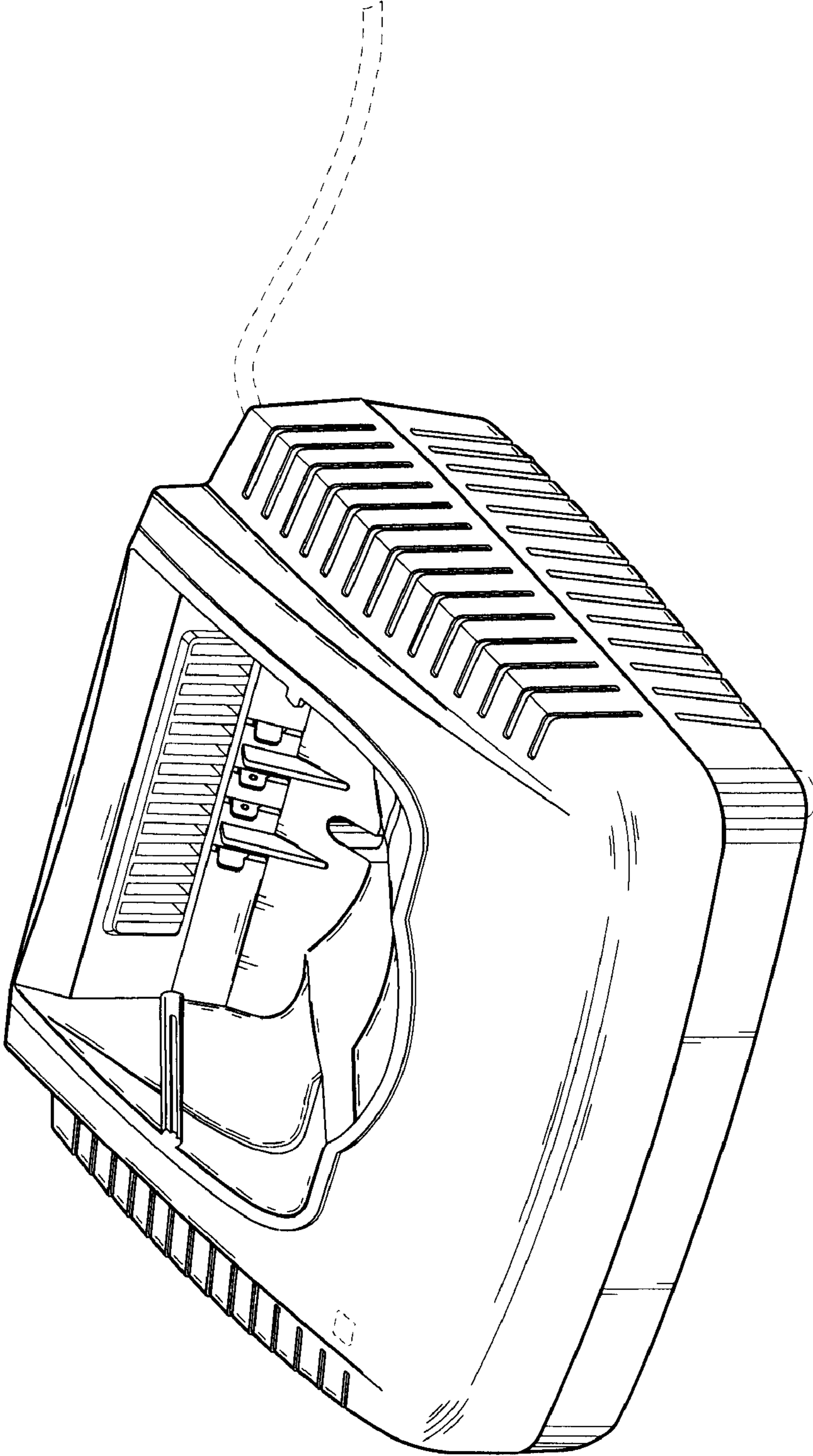


FIG. 1

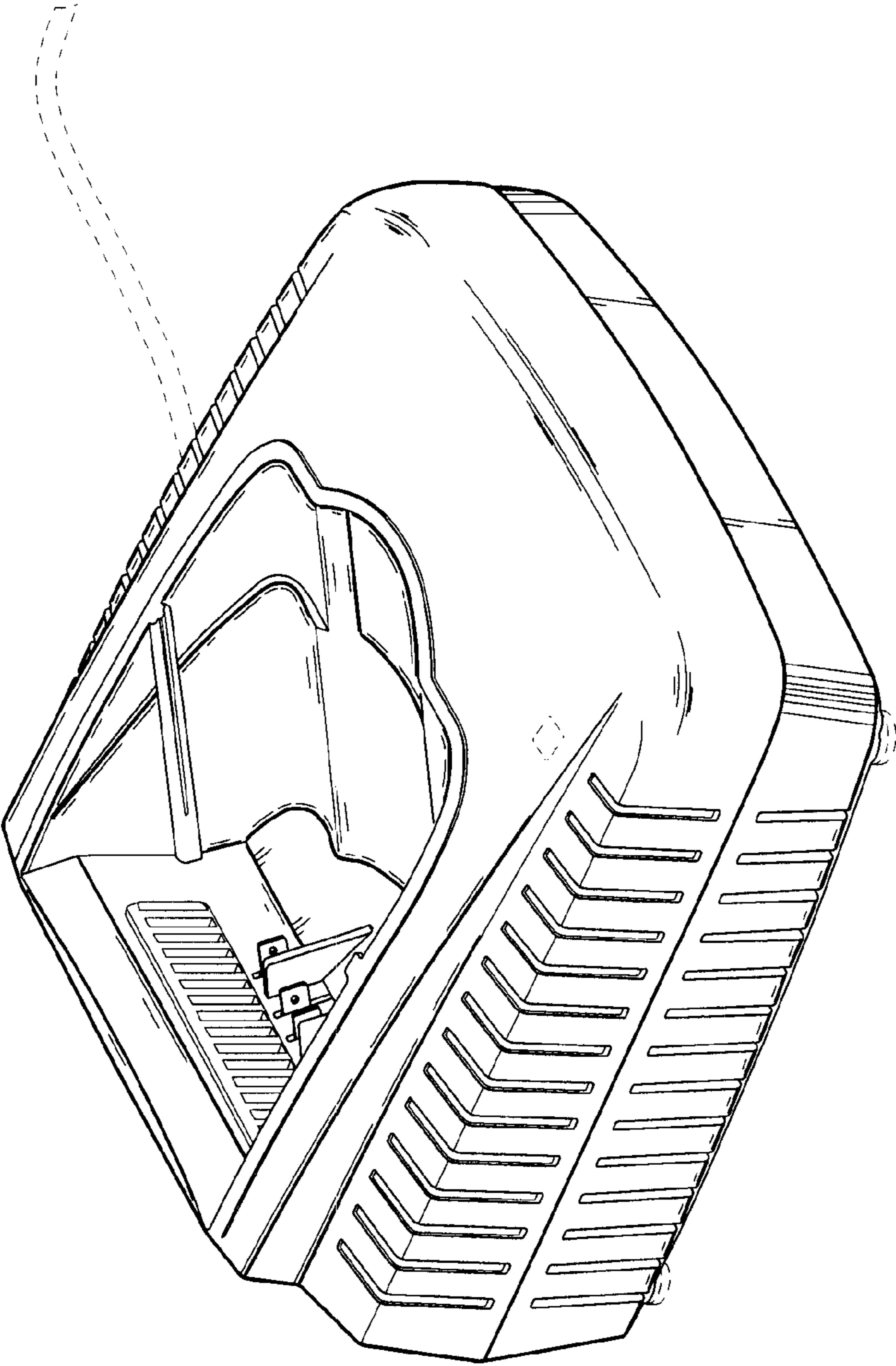


FIG. 2



FIG. 3

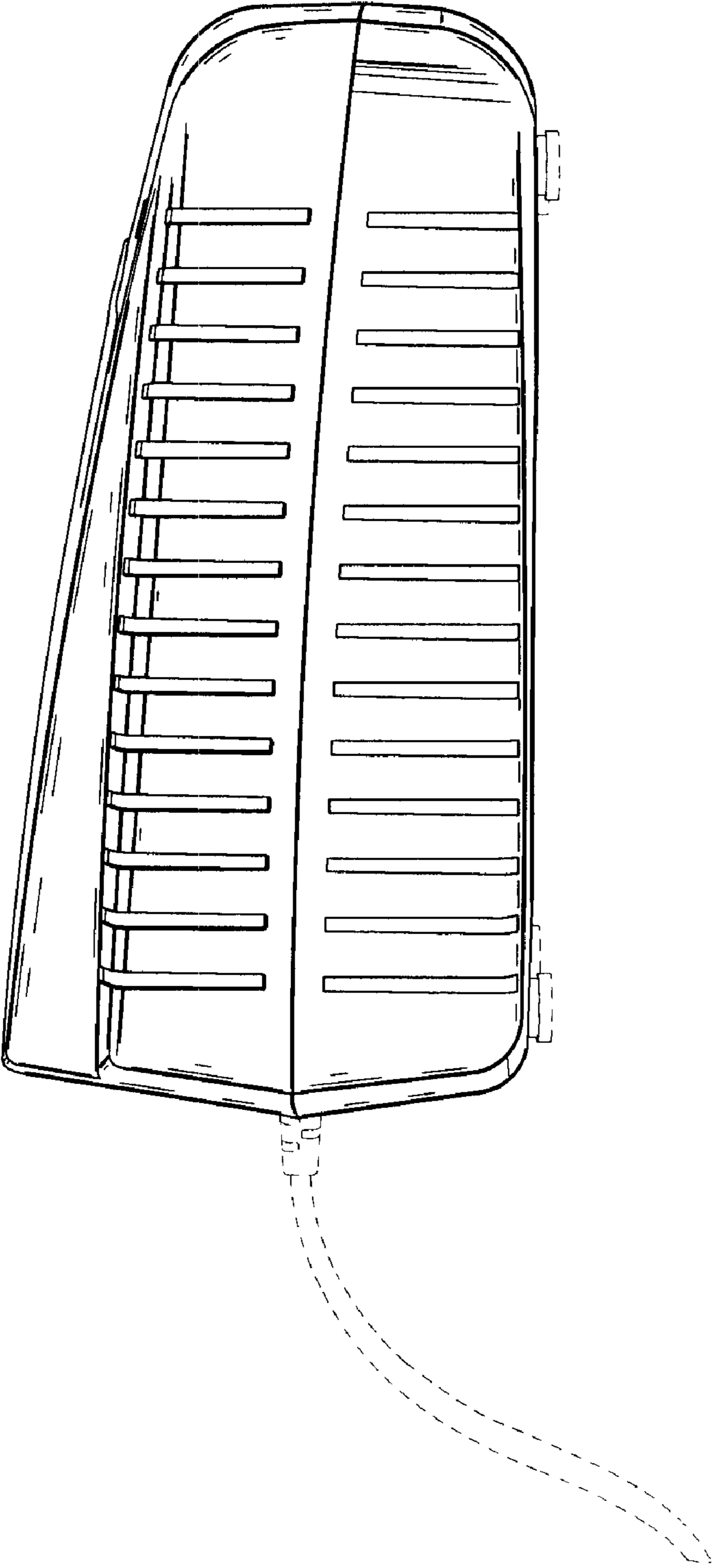


FIG. 4



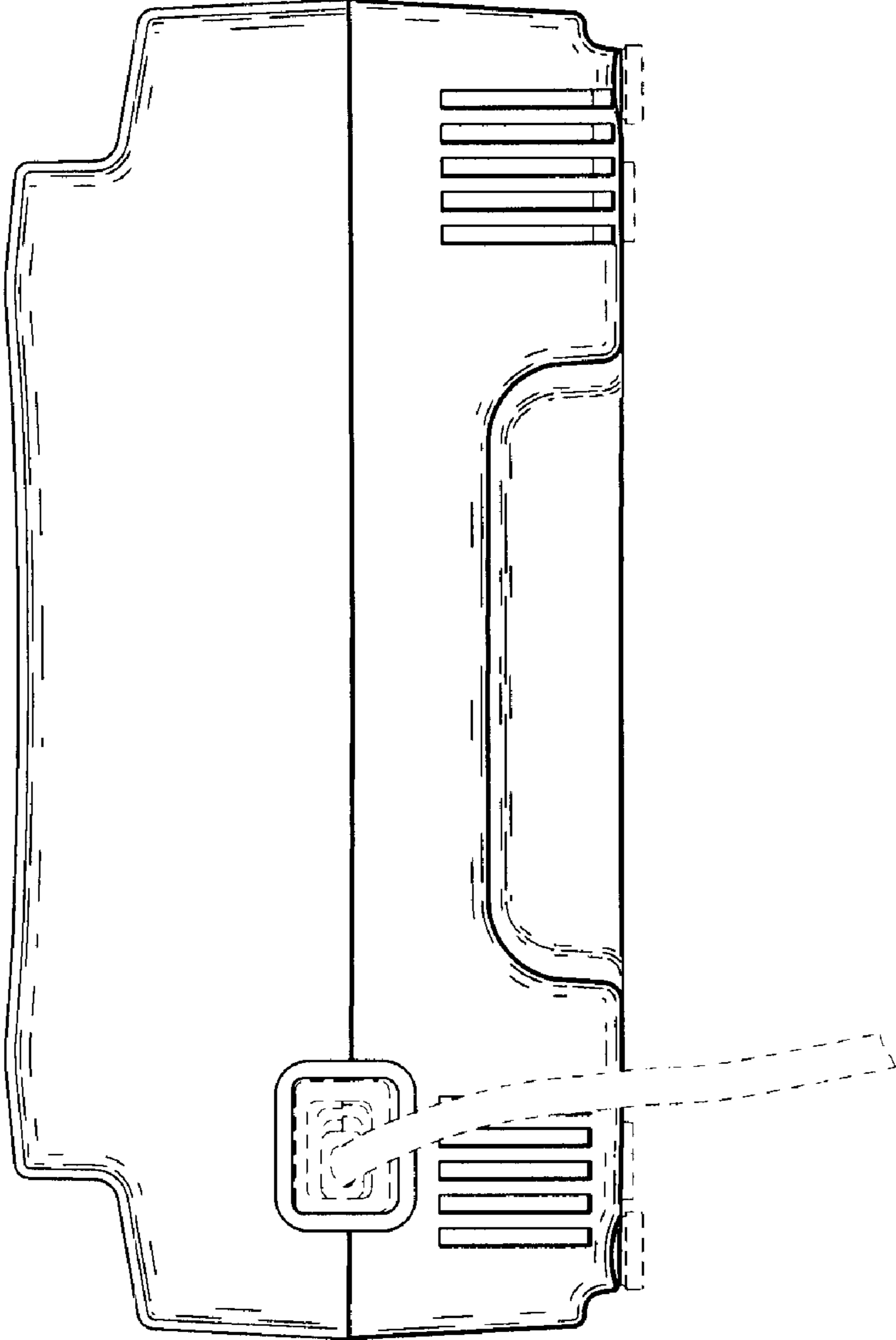


FIG. 5

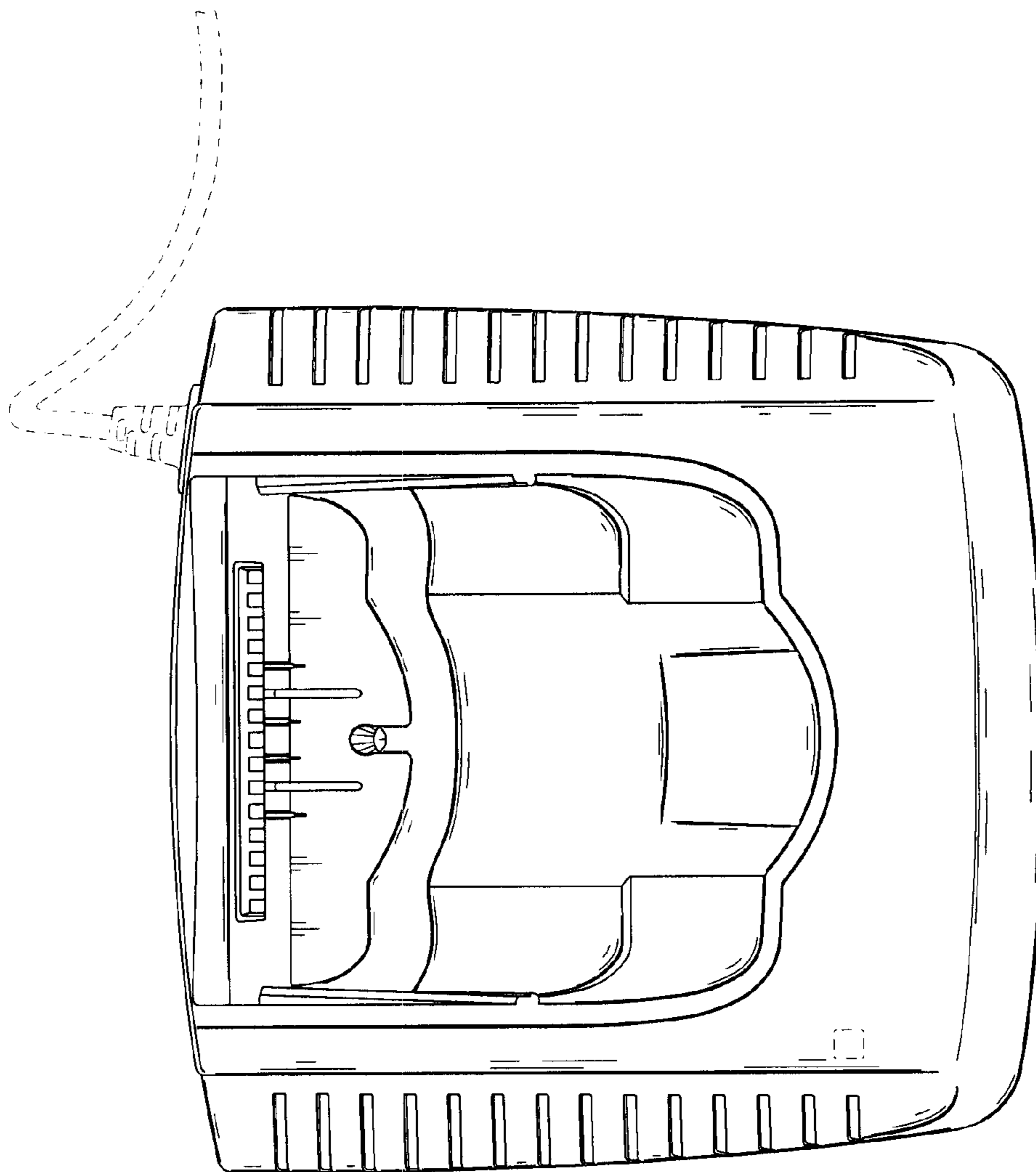


FIG. 6

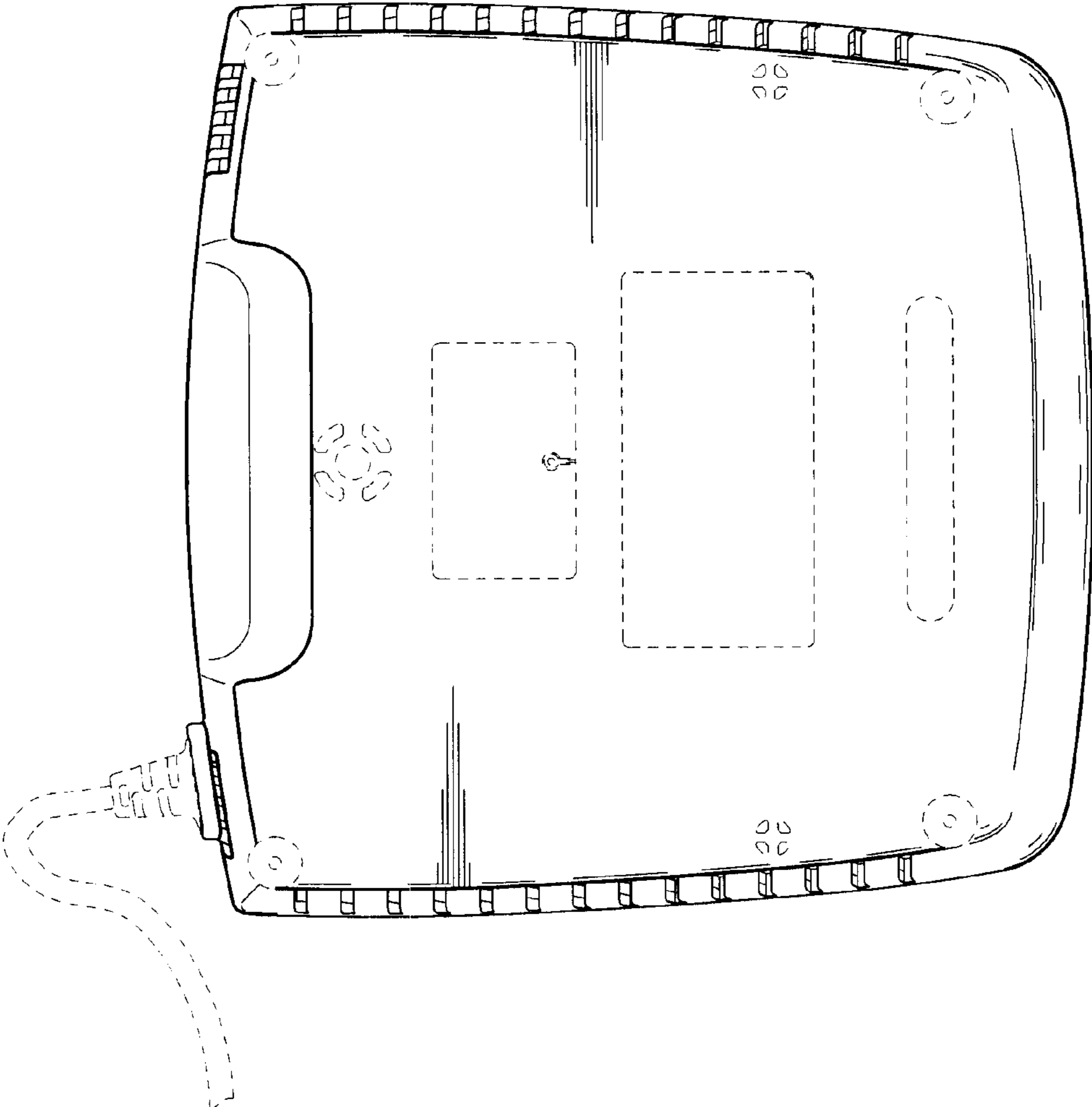


FIG. 7