



US00D621342S

(12) **United States Design Patent**
Osaka

(10) **Patent No.:** **US D621,342 S**

(45) **Date of Patent:** **** Aug. 10, 2010**

(54) **TIRE**

(75) Inventor: **Kazuko Osaka**, Osaka (JP)

(73) Assignee: **Toyo Tire & Rubber Co., Ltd.**, Osaka (JP)

(**) Term: **14 Years**

(21) Appl. No.: **29/334,695**

(22) Filed: **Mar. 31, 2009**

(30) **Foreign Application Priority Data**

Feb. 9, 2009 (JP) 2009-002603

(51) **LOC (9) Cl.** **12-15**

(52) **U.S. Cl.** **D12/579**

(58) **Field of Classification Search** D12/568-603;
152/209.1, 209.5, 209.8, 209.12, 209.18,
152/209.21, 209.9

See application file for complete search history.

(56) **References Cited**

U.S. PATENT DOCUMENTS

D337,978 S	8/1993	Himuro et al.	
D414,727 S	10/1999	Brown et al.	
D430,832 S	9/2000	Edwards	
D444,426 S	7/2001	Marazzi et al.	
D447,447 S	9/2001	Guspodin et al.	
D450,273 S	11/2001	Guspodin et al.	
D453,311 S	2/2002	Guspodin et al.	
D455,117 S	4/2002	Guspodin et al.	
D457,486 S	5/2002	Guspodin et al.	
D487,056 S	2/2004	Rooney et al.	
6,920,906 B2 *	7/2005	Allison et al.	152/209.16
D530,265 S	10/2006	Hutz et al.	
D530,266 S	10/2006	Hutz et al.	
D548,172 S	8/2007	Dixon et al.	
D556,124 S	11/2007	Thum et al.	
D556,673 S	12/2007	Missik-Gaffney et al.	
D556,674 S	12/2007	Missik-Gaffney et al.	

D567,750 S	4/2008	Dixon	
D578,957 S	10/2008	Bonko et al.	
D580,347 S	11/2008	Lo	
D593,485 S *	6/2009	Davidson et al.	D12/579

OTHER PUBLICATIONS

U.S. Appl. No. 29/334,691, Osaka, Tire, filed Mar. 31, 2009.
U.S. Appl. No. 29/334,698, Osaka, Tire, filed Mar. 31, 2009.
U.S. Appl. No. 29/334,700, Osaka, Tire, filed Mar. 31, 2009.

* cited by examiner

Primary Examiner—Caron Veynar

Assistant Examiner—George D Kirschbaum

(74) *Attorney, Agent, or Firm*—Sterne Kessler Goldstein & Fox PLLC

(57) **CLAIM**

The ornamental design for a tire, as shown and described.

DESCRIPTION

FIG. 1 is a perspective view of a tire showing my new design;

FIG. 2 is a front view thereof;

FIG. 3 is a rear view thereof;

FIG. 4 is a right side view thereof;

FIG. 5 is a left side view thereof;

FIG. 6 is a top plan view thereof, for which the bottom plan view is a mirror image;

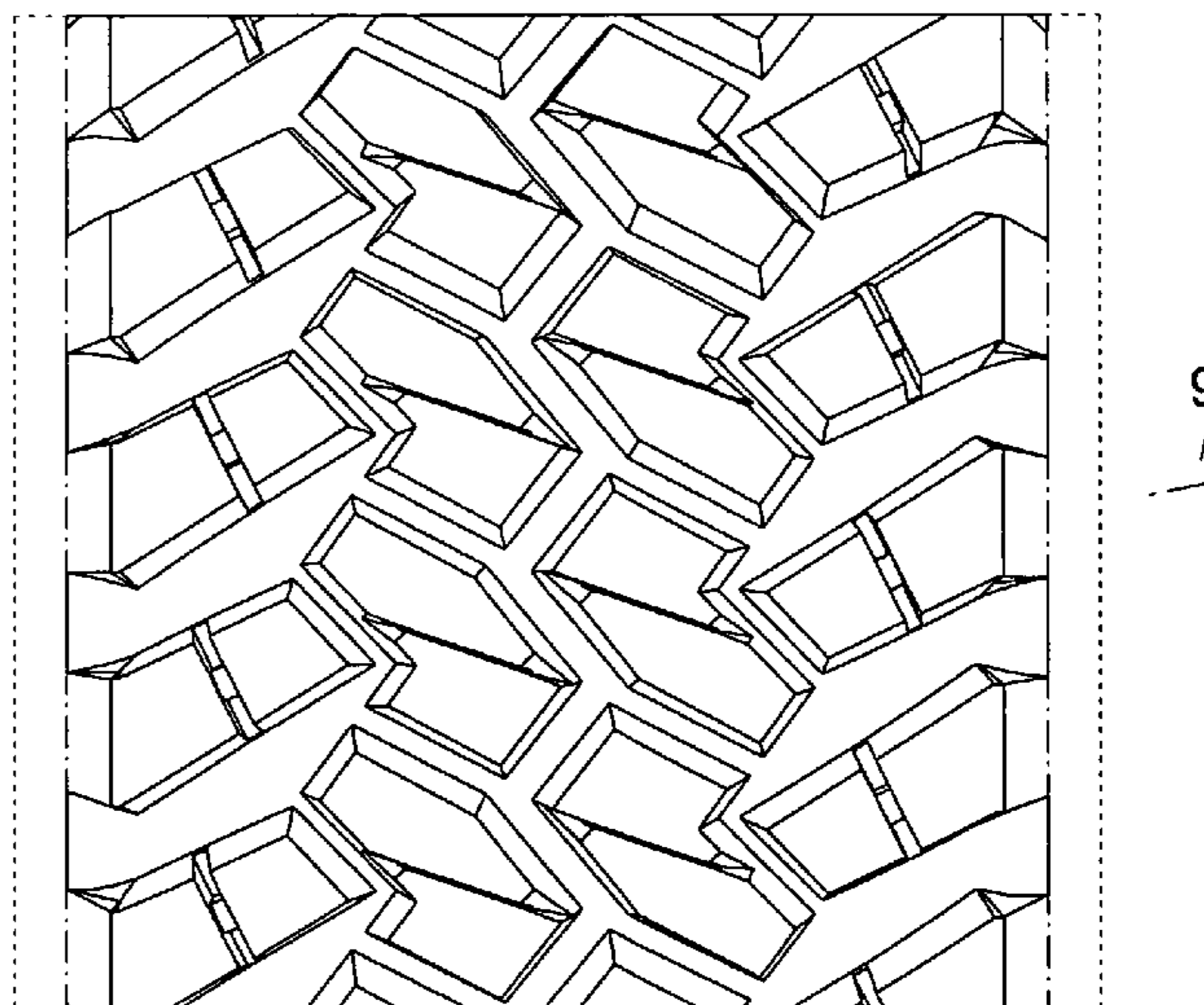
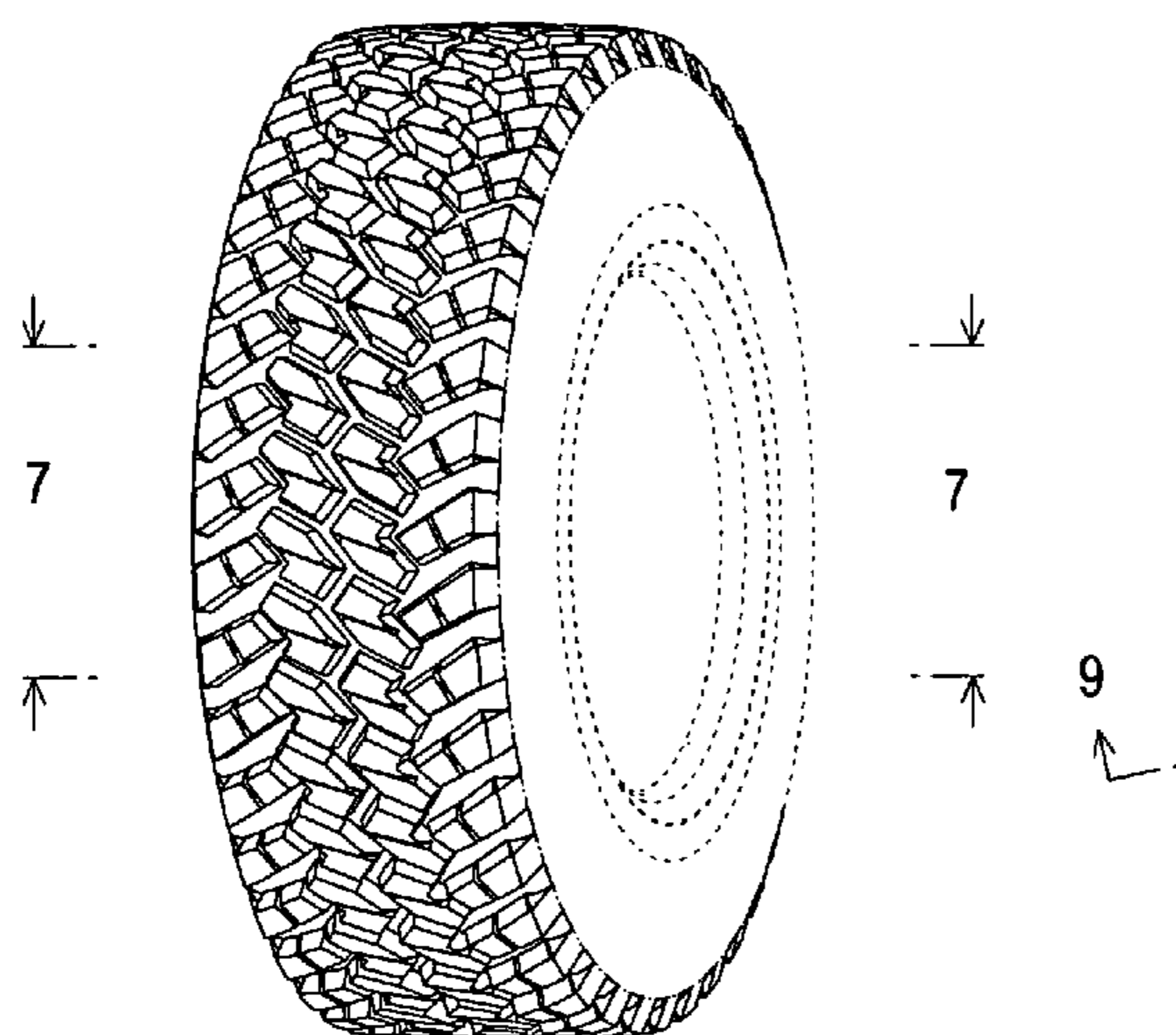
FIG. 7 is an enlarged sectional view of the intersection of areas 7—7 in FIG. 1 and 7'—7' in FIG. 4;

FIG. 8 is an enlarged sectional view taken along line 8—8 in FIG. 2; and,

FIG. 9 is an enlarged cross-sectional view taken along line 7'—7' in FIG. 4 and line 9—9 in FIG. 8.

In the drawings, the broken lines defining the sidewall, inner bead depict environmental subject matter that forms no part of the claimed design.

1 Claim, 5 Drawing Sheets



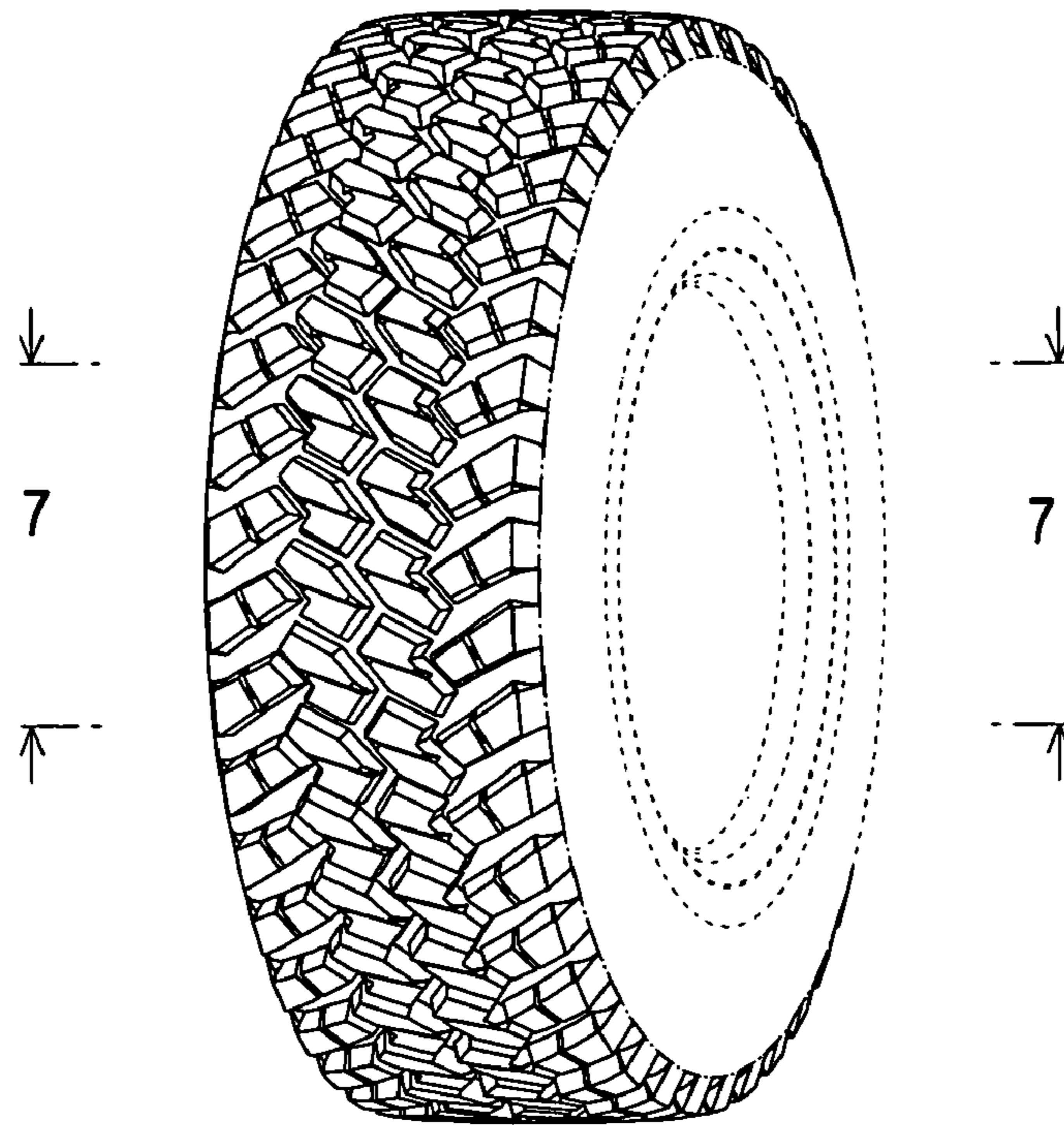


FIGURE 1

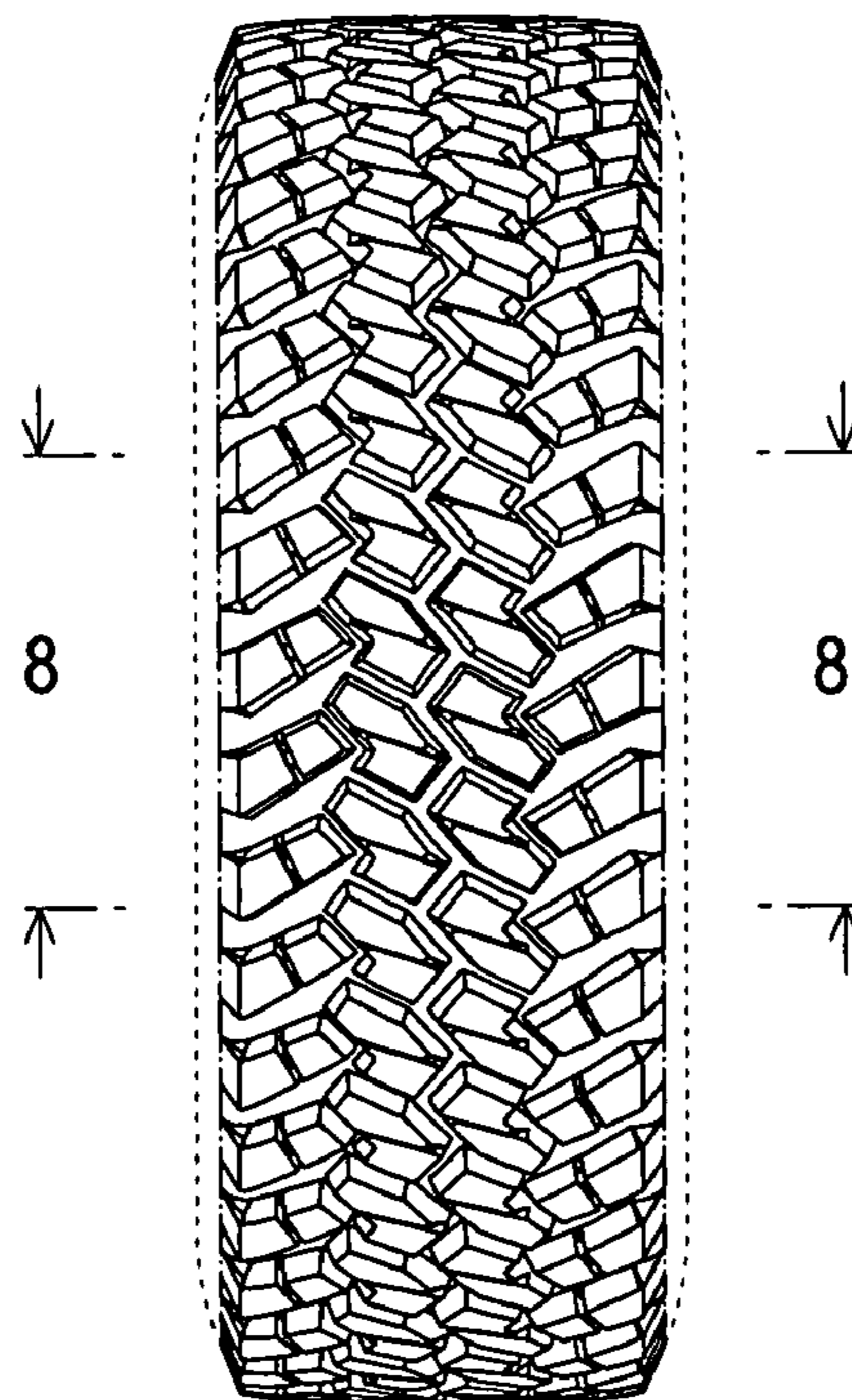


FIGURE 2

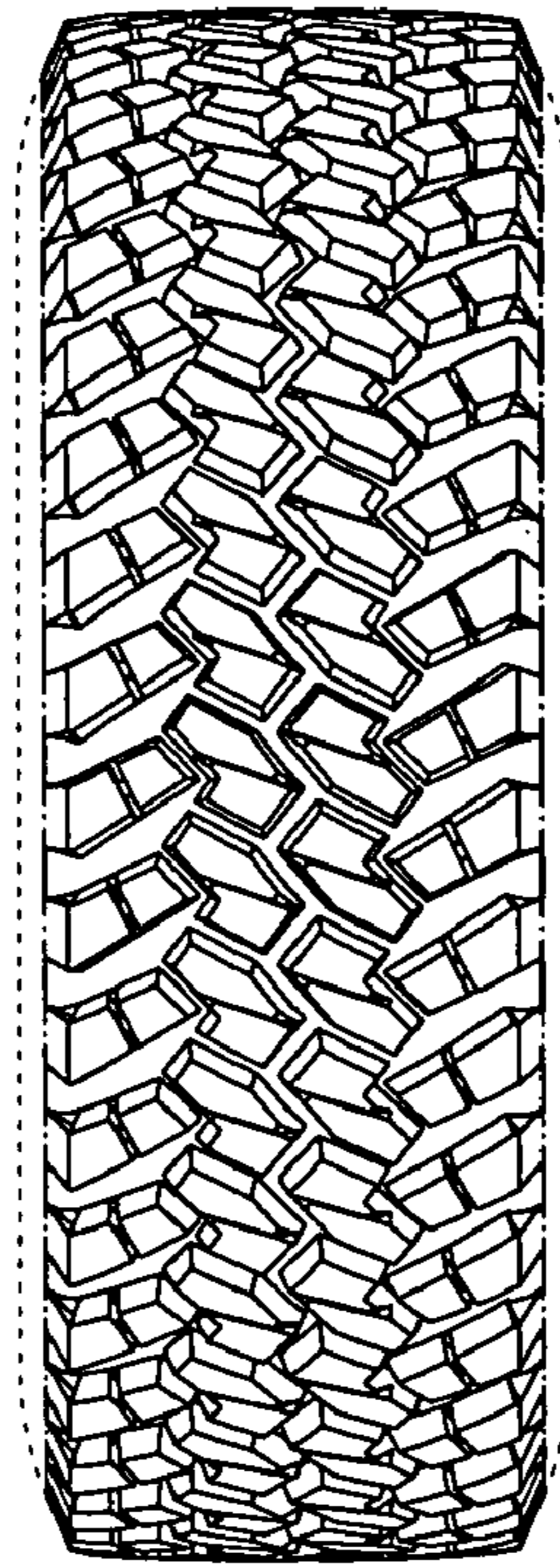


FIGURE 3

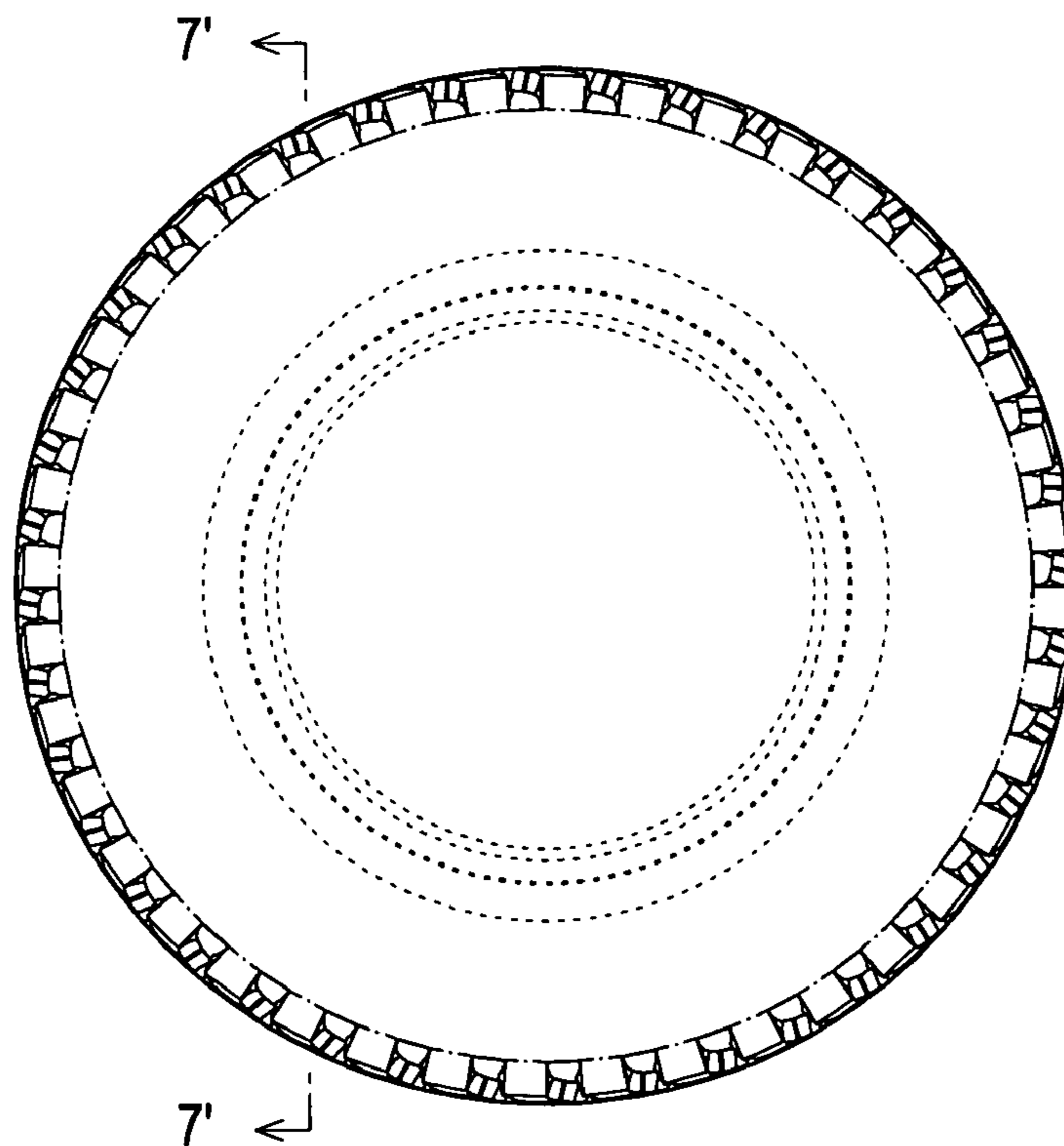


FIGURE 4

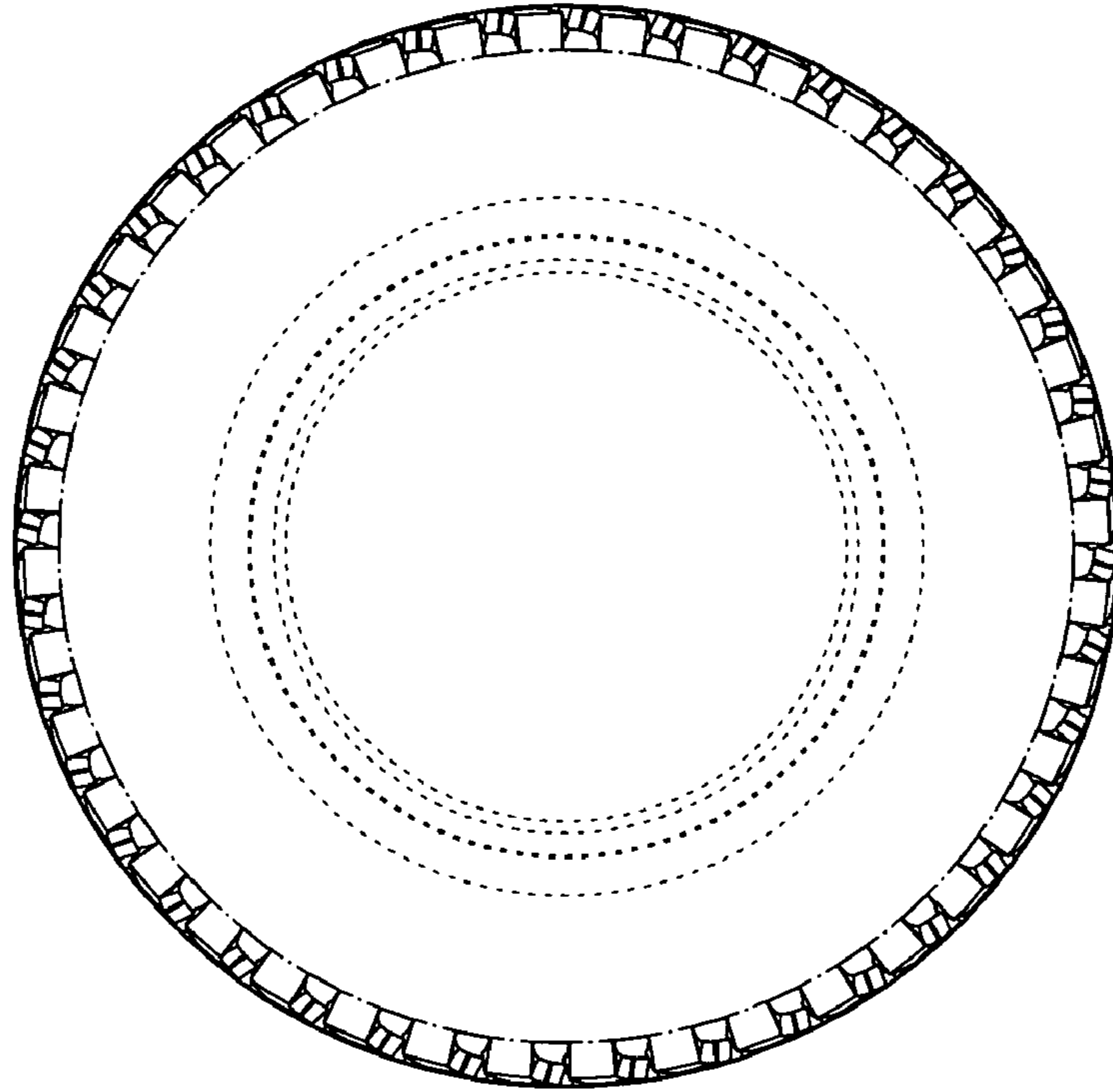


FIGURE 5

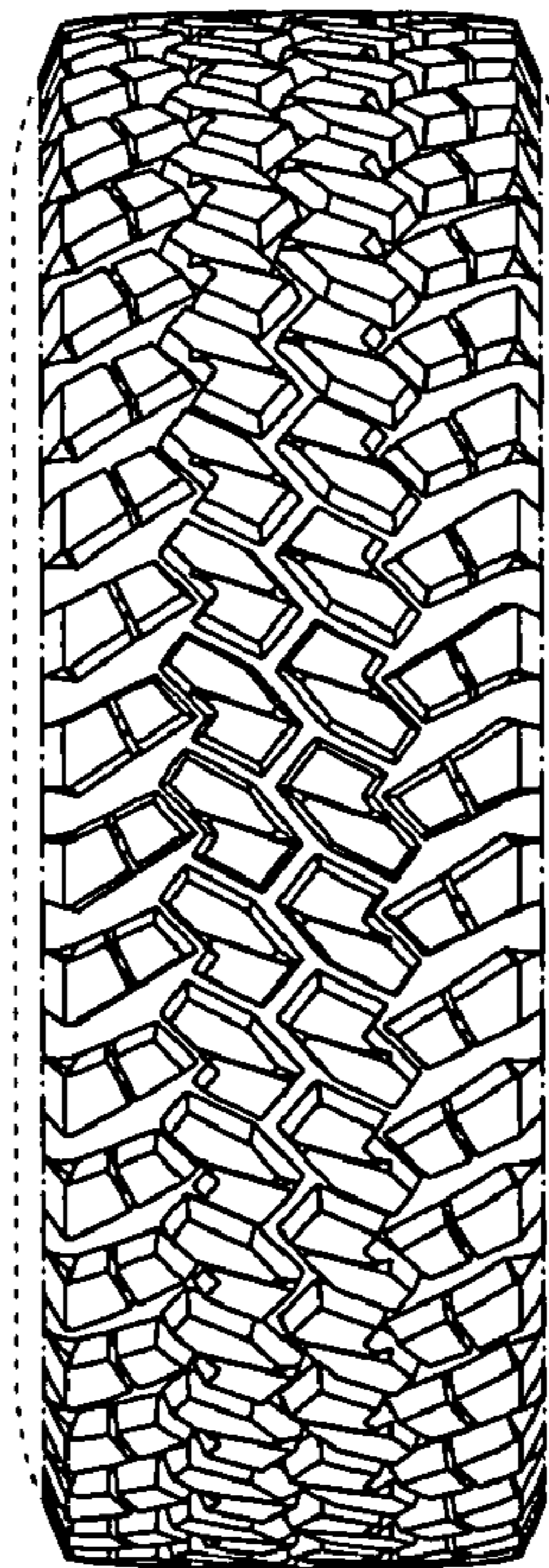


FIGURE 6

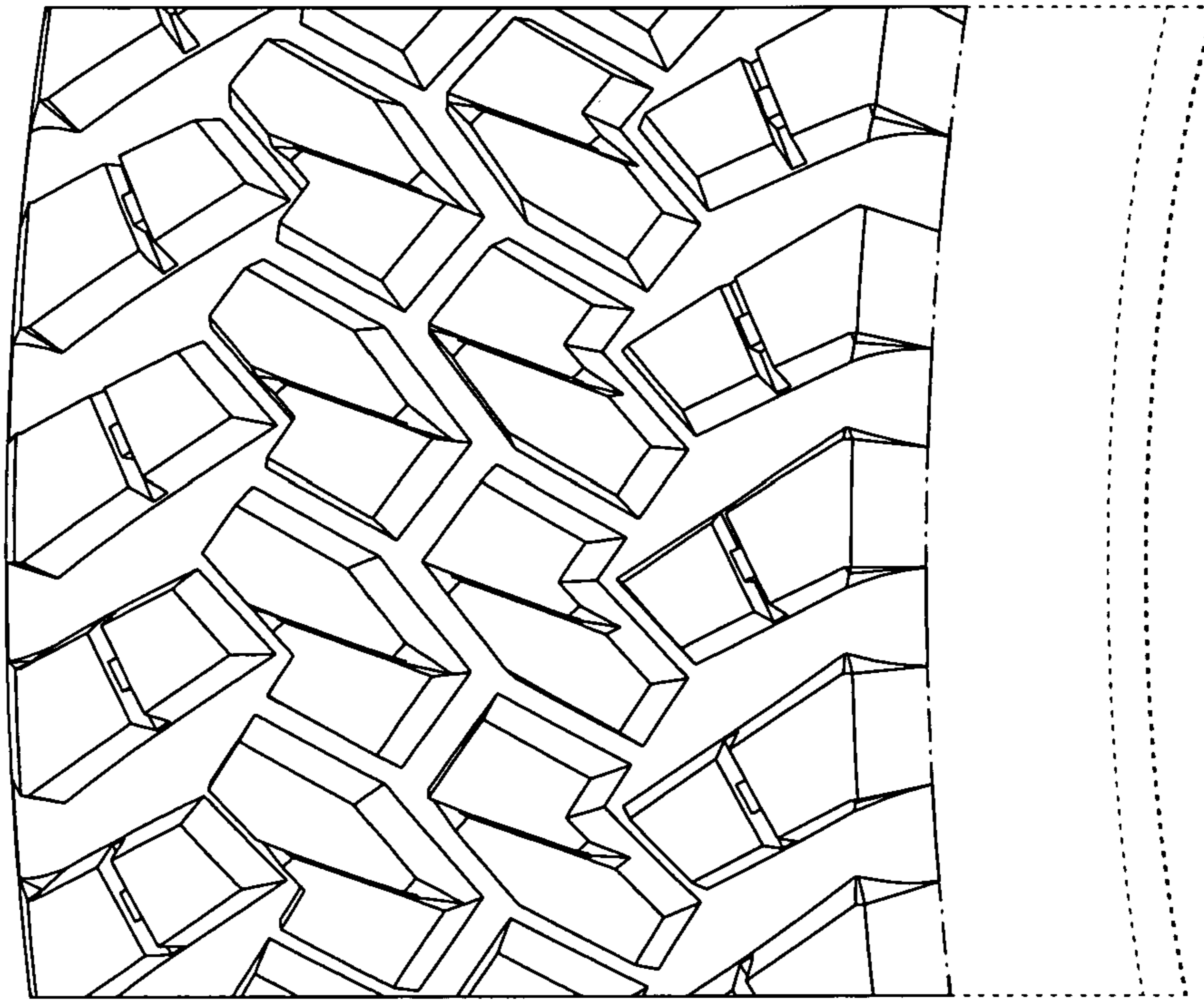


FIGURE 7

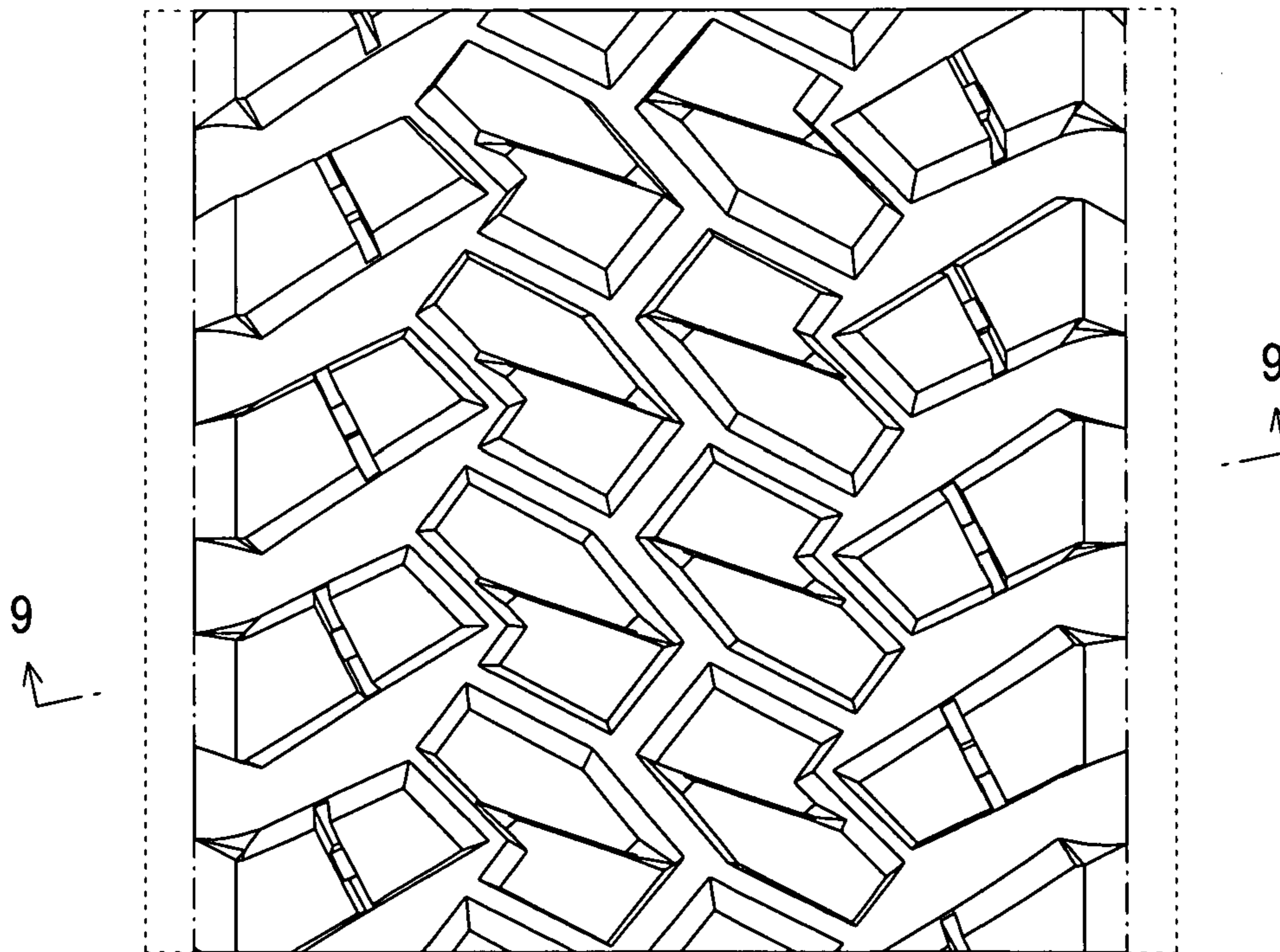


FIGURE 8

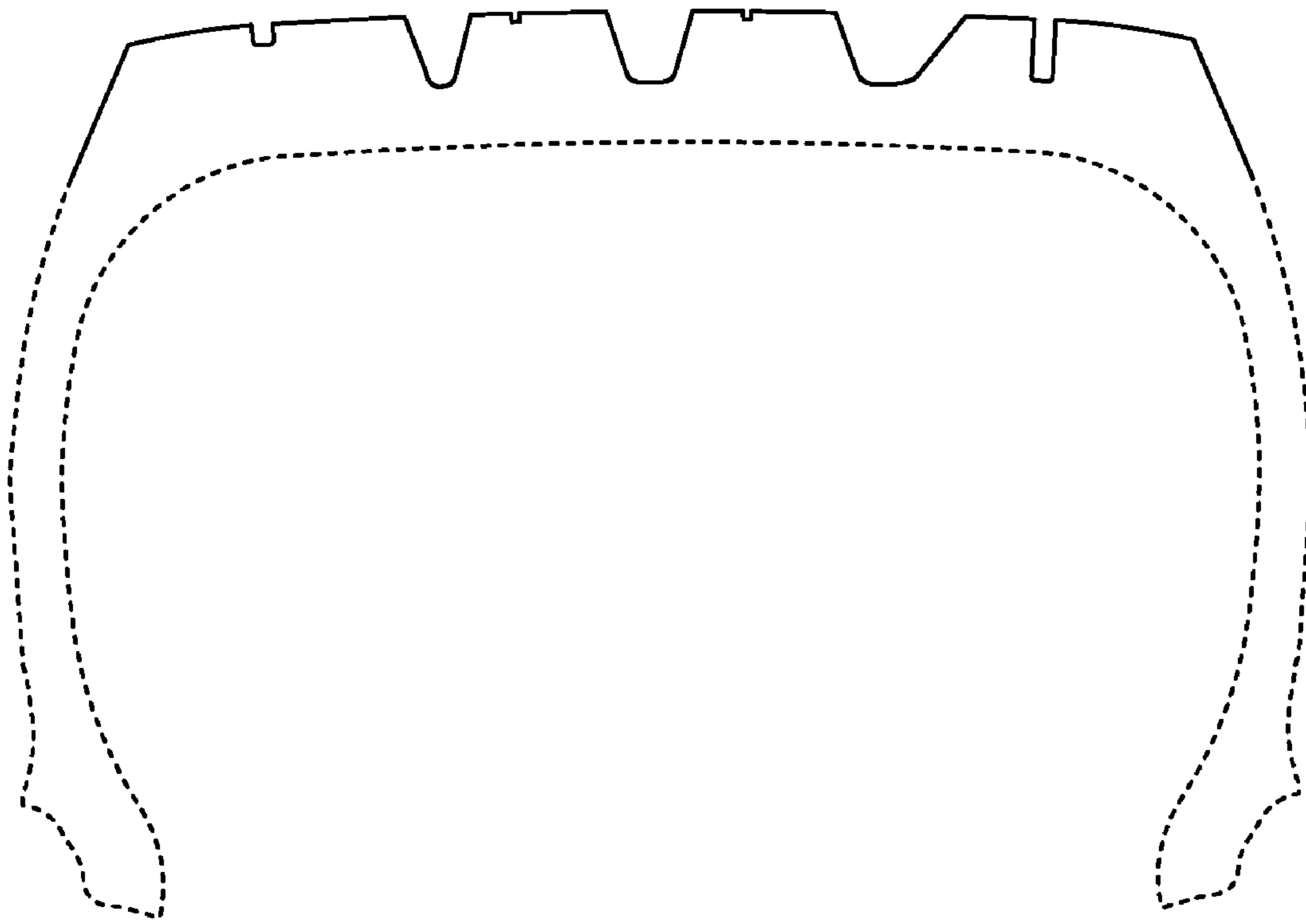


FIGURE 9