



US00D621339S

(12) **United States Design Patent**
Hitchcock

(10) **Patent No.:** **US D621,339 S**

(45) **Date of Patent:** **** Aug. 10, 2010**

(54) **COOLER BOX**

(76) **Inventor:** **Jason Alan Hitchcock**, 2336 Haldis Way, Sacramento, CA (US) 95822

(**) **Term:** **14 Years**

(21) **Appl. No.:** **29/350,194**

(22) **Filed:** **Nov. 12, 2009**

(51) **LOC (9) Cl.** **12-16**

(52) **U.S. Cl.** **D12/400**

(58) **Field of Classification Search** D12/400, D12/401, 404, 406, 412, 414, 222, 223, 86, D12/93, 101; 224/923, 924; 211/100, 124, 211/2, 4, 85.7; D6/552

See application file for complete search history.

(56) **References Cited**

U.S. PATENT DOCUMENTS

41,774 A *	3/1864	Cameron	431/321
D120,004 S	4/1940	Funderburk		
D129,972 S	10/1941	Young		
D255,353 S	6/1980	Ullrich		
D262,459 S	12/1981	Keane		
D283,621 S	4/1986	Gauer		
D290,364 S	6/1987	Wilkinson		
D294,581 S	3/1988	Storlie		
D341,596 S	11/1993	Stein		
D430,576 S	9/2000	Sadr		
D496,720 S	9/2004	Dudley		
D532,795 S	11/2006	Quezada		
D578,548 S	10/2008	Bohlen		

D590,419 S	4/2009	Duffek		
D591,769 S	5/2009	Chung		
D596,649 S	7/2009	Yan		
2006/0249466 A1 *	11/2006	Wang	211/17

* cited by examiner

Primary Examiner—Caron Veynar

Assistant Examiner—Katrina A Kile

(74) *Attorney, Agent, or Firm*—QuickPatents, Inc.; Kevin Prince

(57) **CLAIM**

I claim the ornamental design for a cooler box, as shown and described.

DESCRIPTION

FIG. 1 is a perspective view of a cooler box, showing my new design;

FIG. 2 is a left-side elevational view thereof;

FIG. 3 is a right-side elevational view thereof;

FIG. 4 is a front elevational view thereof;

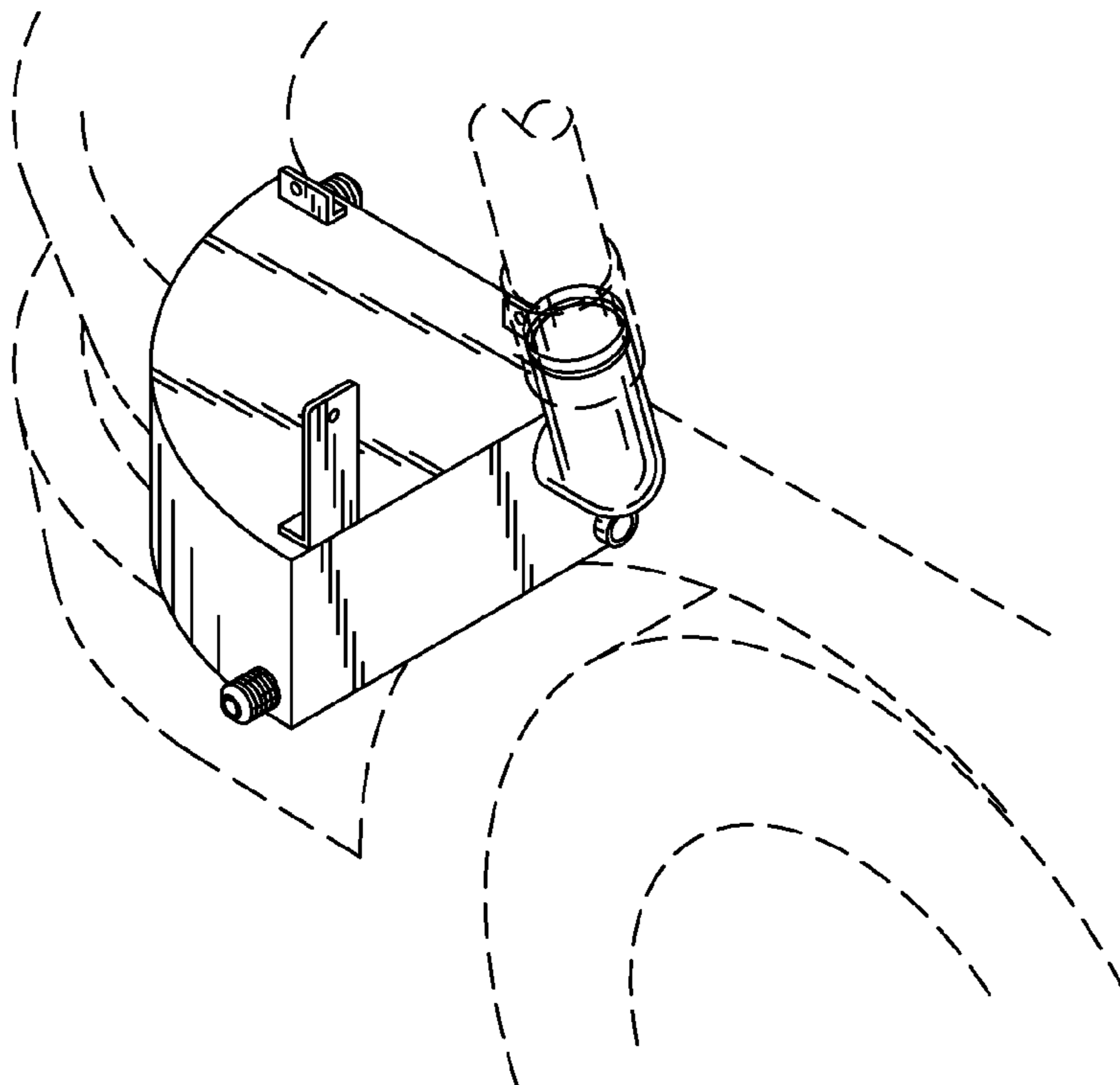
FIG. 5 is a rear elevational view thereof;

FIG. 6 is a top plan view thereof; and,

FIG. 7 is a bottom plan view thereof.

The broken lines showing a Mustang GT automobile in FIG. 1 and a refill tube and coupler in the FIGS. are included for the purpose of illustrating the invention in use, and form no part of the claimed design.

1 Claim, 2 Drawing Sheets



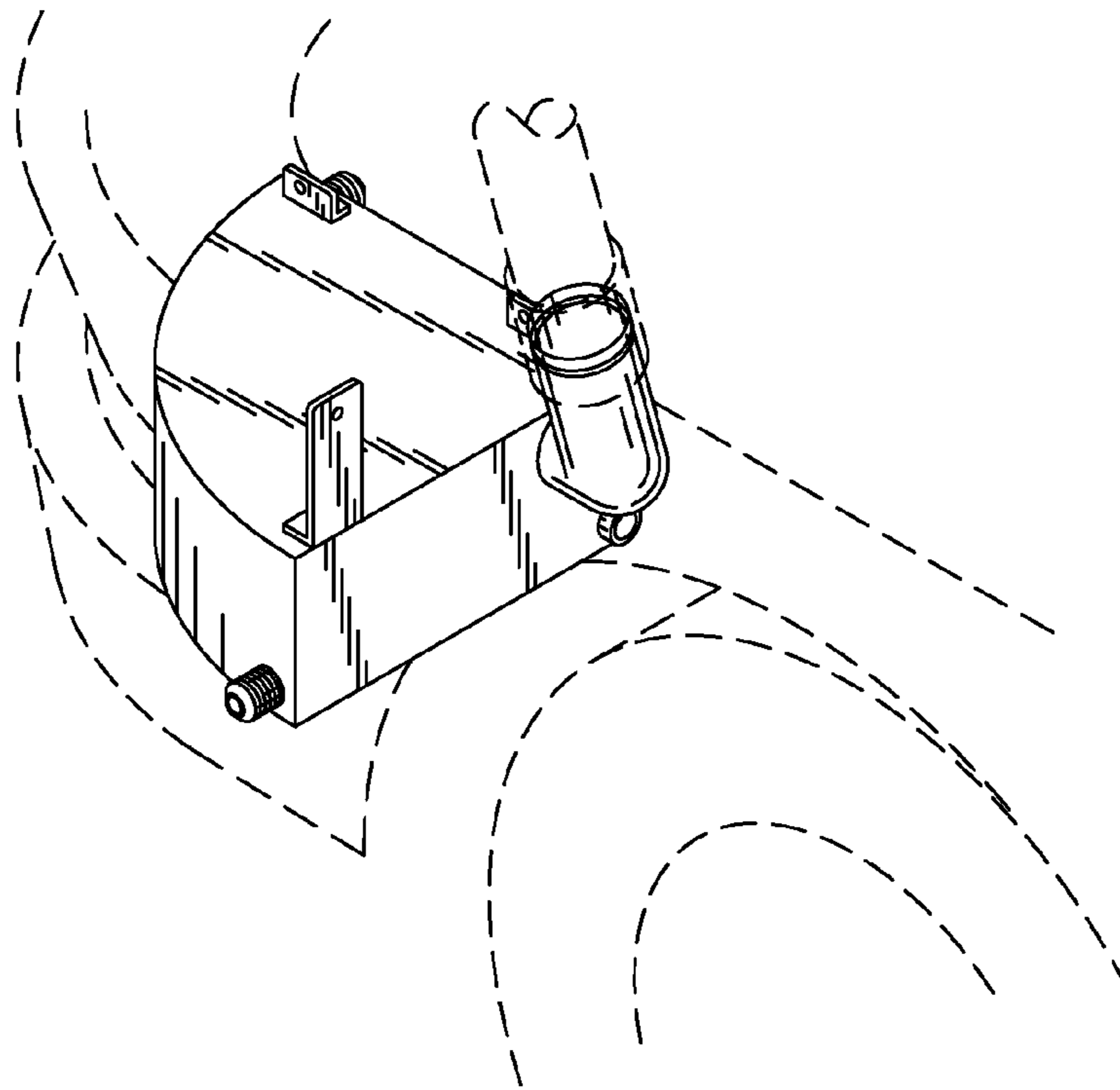


FIG. 1

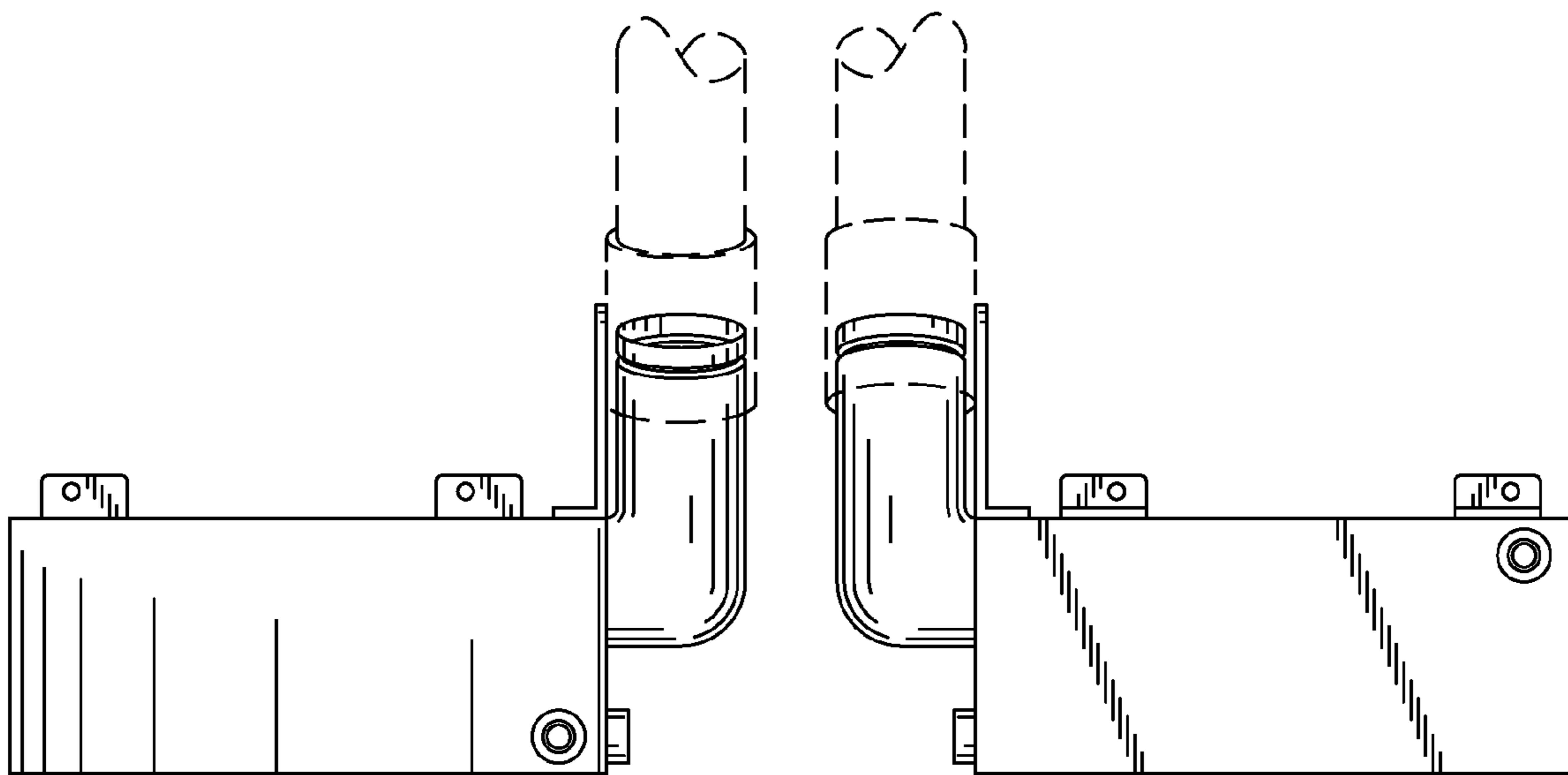


FIG. 2

FIG. 3

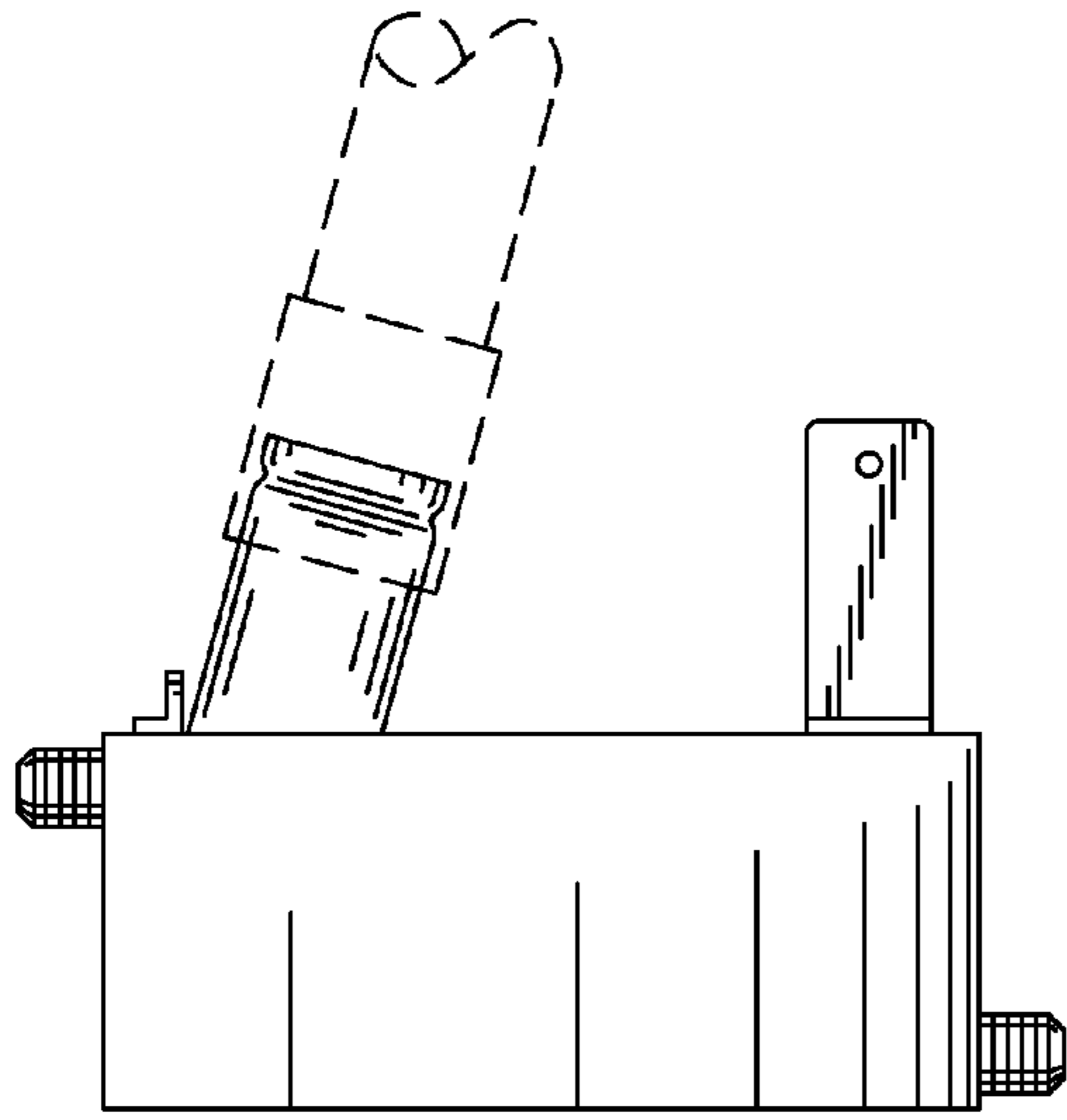


FIG. 4

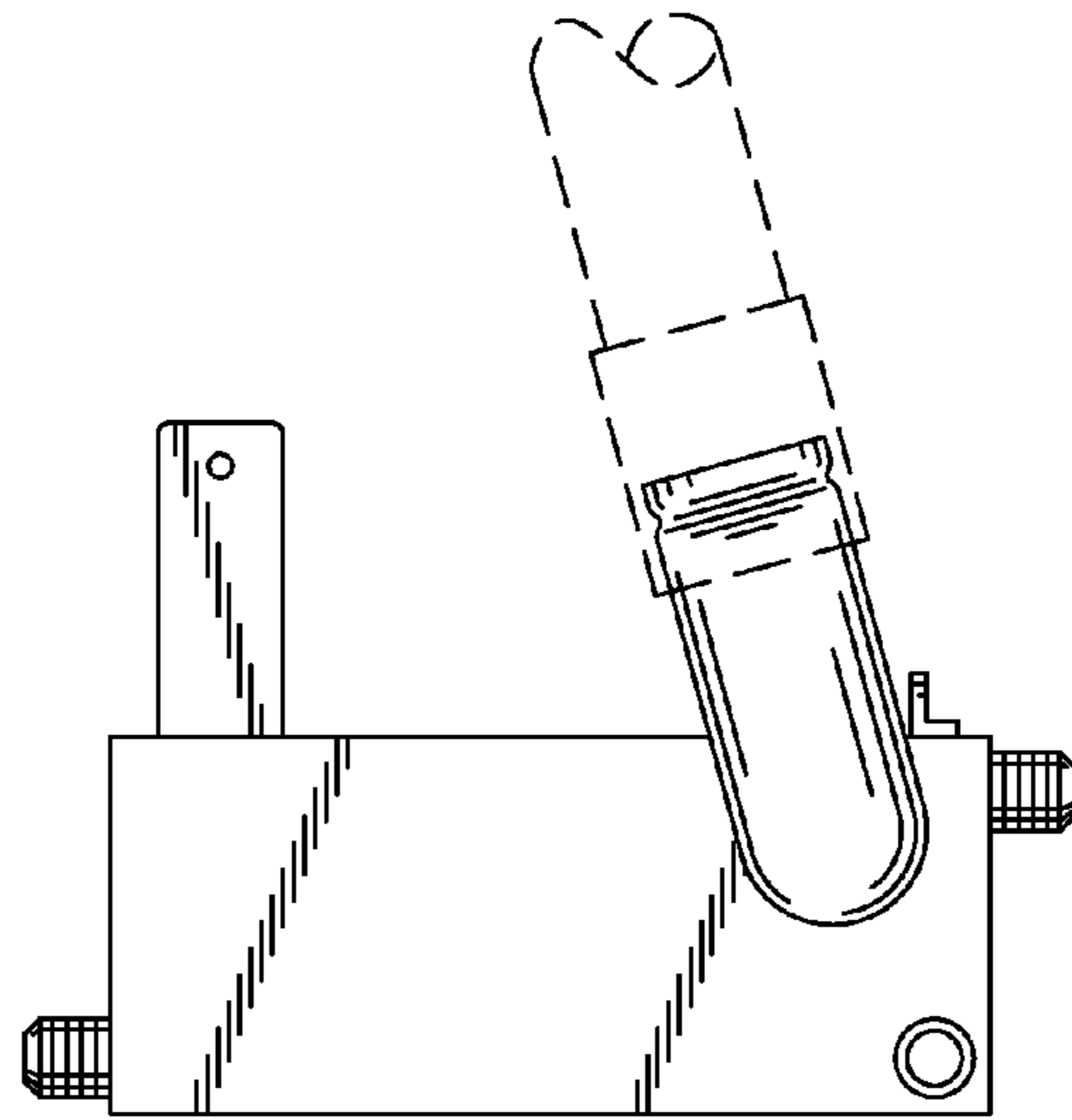


FIG. 5

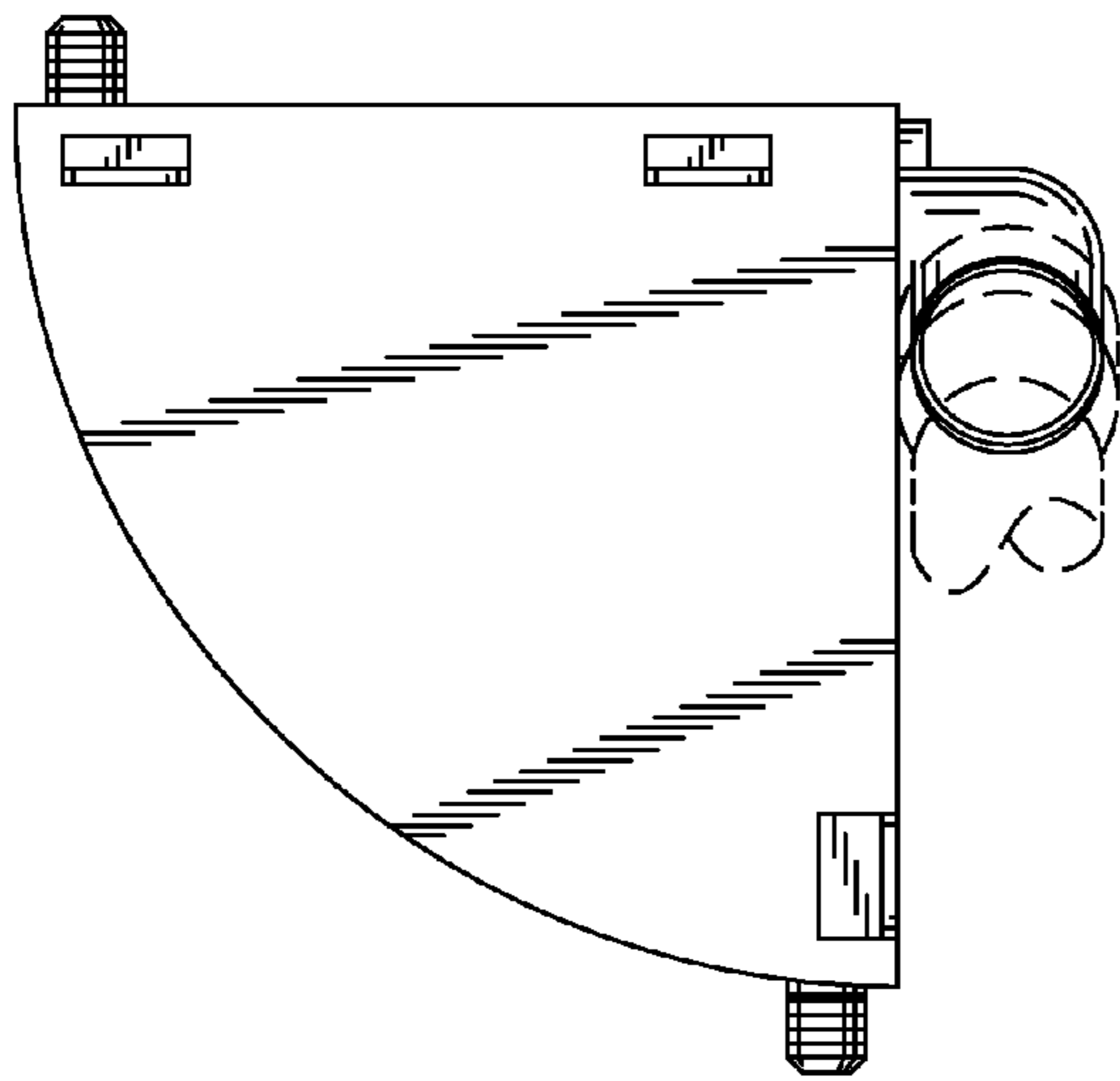


FIG. 6

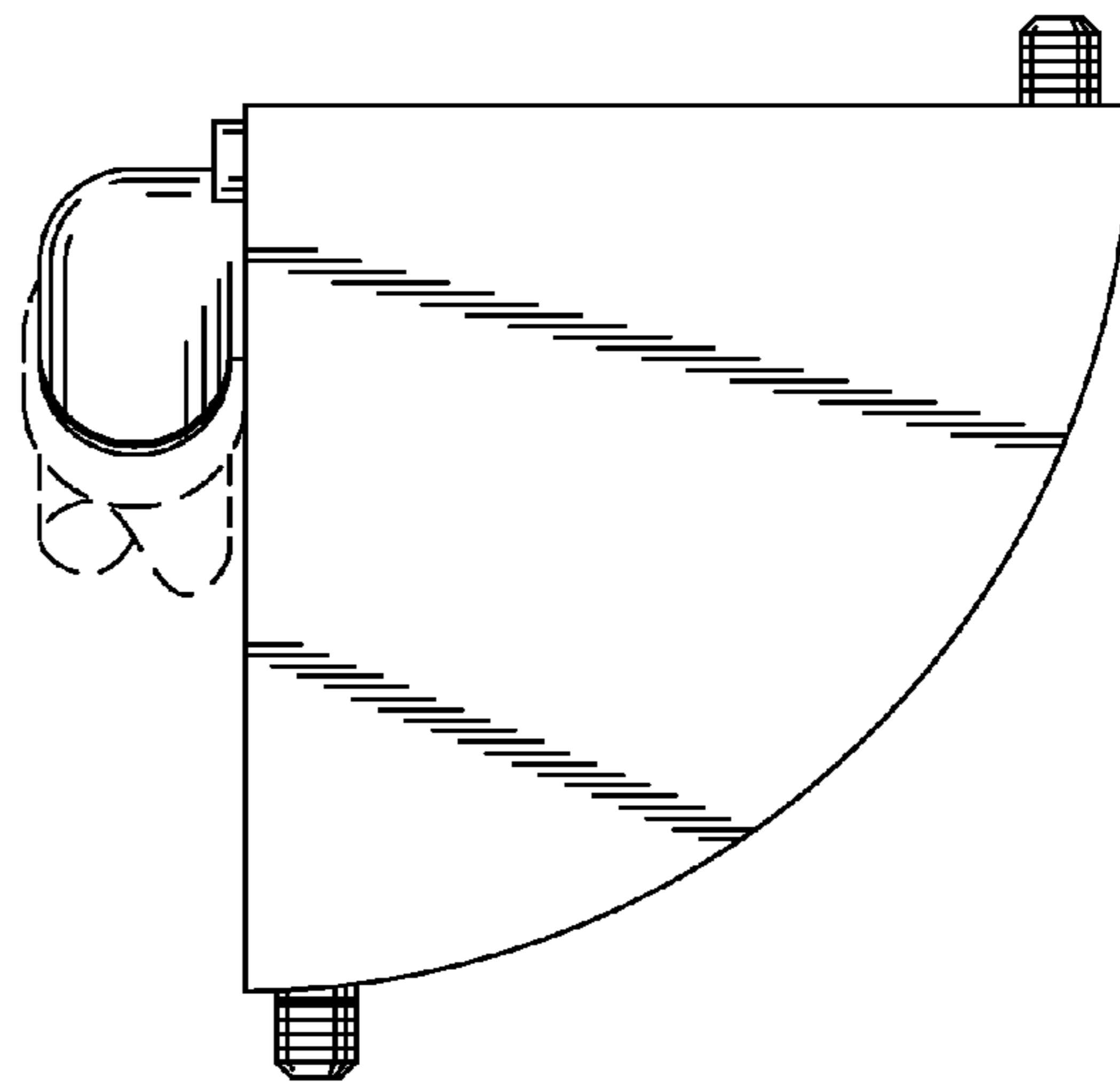


FIG. 7