



US00D621338S

(12) **United States Design Patent**
Jimenez et al.

(10) **Patent No.:** **US D621,338 S**
(45) **Date of Patent:** **** Aug. 10, 2010**

(54) **SAFETY STRIP AND MOUNT**
(75) Inventors: **Jorge Jimenez**, Downers Grove, IL
(US); **Nick Scholtes**, Shorewood, IL
(US); **Robert C. Signagio**, Lemont, IL
(US)

3,913,876 A 10/1975 McSherry
3,971,105 A 7/1976 Caveney
D250,876 S 1/1979 Lindblom
4,397,435 A 8/1983 Fisher et al.
4,766,651 A 8/1988 Kobayashi et al.
4,805,856 A 2/1989 Nicoli et al.

(73) Assignee: **Control Solutions LLC**, Aurora, IL
(US)

(Continued)

(**) Term: **14 Years**

(21) Appl. No.: **29/339,362**

(22) Filed: **Jun. 29, 2009**

OTHER PUBLICATIONS

U.S. Appl. No. 29/335,224, filed on Apr. 10, 2009.

(Continued)

Related U.S. Application Data

(63) Continuation of application No. 12/197,126, filed on
Aug. 25, 2008.

Primary Examiner—Caron Veynar
Assistant Examiner—Katrina A Kile
(74) *Attorney, Agent, or Firm*—Wildman, Harrold, Allen &
Dixon LLP

(51) **LOC (9) Cl.** **12-16**

(52) **U.S. Cl.** **D12/400**

(58) **Field of Classification Search** D12/400,
D12/219–220, 190; 15/246, 247, 250.01,
15/250.4, 250.361, 250.19, 250.48, 250.03,
15/250.31–250.33, 250.351, 250.38, 250.201,
15/250.451, 250.458, 250.04, 250.07, 250.44
See application file for complete search history.

(57) **CLAIM**

The ornamental design for a safety strip and mount, as shown
and described above.

(56) **References Cited**

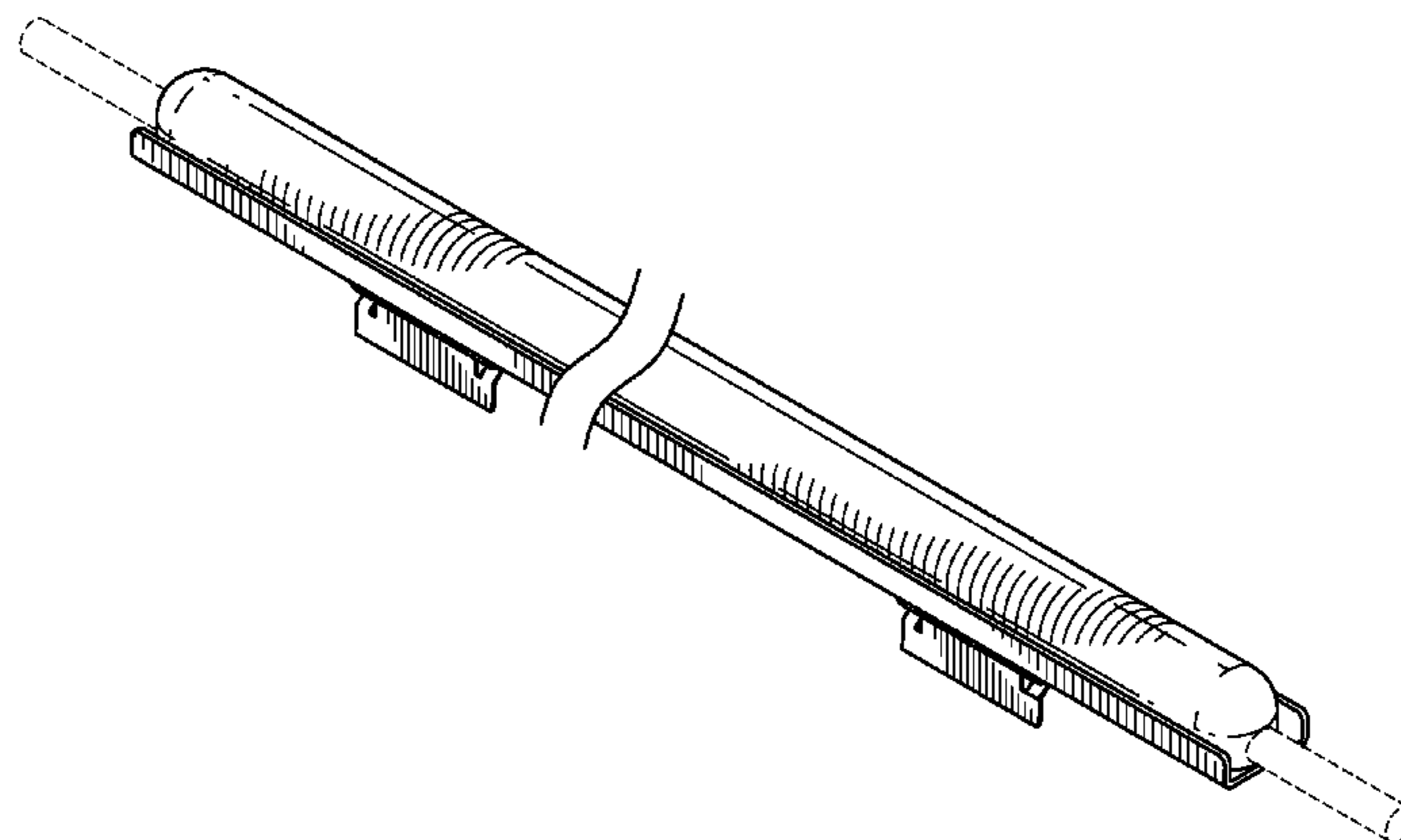
U.S. PATENT DOCUMENTS

345,329 A * 7/1886 Siedhof 44/558
1,313,191 A 8/1919 Karitzky
1,808,328 A 6/1931 Thomson
1,942,661 A * 1/1934 Paulus 15/250.351
1,944,051 A * 1/1934 Zaiger et al. 15/250.32
1,946,009 A * 2/1934 Besson 15/250.04
1,946,073 A * 2/1934 Horton et al. 15/250.32
2,859,048 A * 11/1958 Munn 280/733
D184,631 S * 3/1959 Matthews D12/400
3,154,275 A 10/1964 Stewart
3,454,249 A 7/1969 Geisinger
3,581,349 A 6/1971 Verspieren
3,632,070 A 1/1972 Thayer

DESCRIPTION

FIG. 1 is a perspective view of a safety strip;
FIG. 2 is an enlarged front perspective view thereof;
FIG. 3 is an enlarged top view thereof;
FIG. 4 is an enlarged front elevational view thereof;
FIG. 5 is an enlarged bottom elevational view thereof;
FIG. 6 is an enlarged rear elevational view thereof; and,
FIG. 7 is an enlarged left side elevational view thereof, the
right side view being a mirror image.
A left side elevational view is provided for each drawing of
which the right side elevational view is identical.
The break in the FIGS. 1, 2, 3, 4, 5 and 6 drawings show
indeterminate length.
In the drawings, the broken lines in FIG. 1 depict a vehicle and
form no part of the claimed design.

1 Claim, 3 Drawing Sheets



US D621,338 S

Page 2

U.S. PATENT DOCUMENTS

D305,977 S 2/1990 Ono
D316,535 S * 4/1991 Fenn D12/400
5,291,627 A * 3/1994 Liou 15/250.04
5,330,140 A 7/1994 Cseri
5,332,179 A 7/1994 Kuffel et al.
5,362,018 A 11/1994 Darr et al.
D384,029 S * 9/1997 Knott D12/400
D384,323 S * 9/1997 Naito et al. D12/400
5,725,185 A 3/1998 Auclair
6,079,674 A 6/2000 Snyder
6,129,317 A 10/2000 Rodrigues et al.
6,149,109 A 11/2000 Stankowski
7,083,152 B2 8/2006 Carullo et al.
7,150,437 B1 12/2006 Teeters

7,221,832 B2 5/2007 Tinucci
7,281,293 B2 * 10/2007 Zimmer 15/250.34
7,290,306 B2 * 11/2007 Wagner 15/250.3
7,306,755 B2 12/2007 Morello
7,440,669 B2 10/2008 Tinucci
D587,762 S * 3/2009 Zeyfang D20/42
2008/0098571 A1 5/2008 Morris
2010/0050361 A1 * 3/2010 Chang et al. 15/250.32

OTHER PUBLICATIONS

U.S. Appl. No. 29/335,227, filed on Apr. 10, 2009.
U.S. Appl. No. 29/335,226, filed on Apr. 10, 2009.
U.S. Appl. No. 29/335,225, filed on Apr. 10, 2009.

* cited by examiner

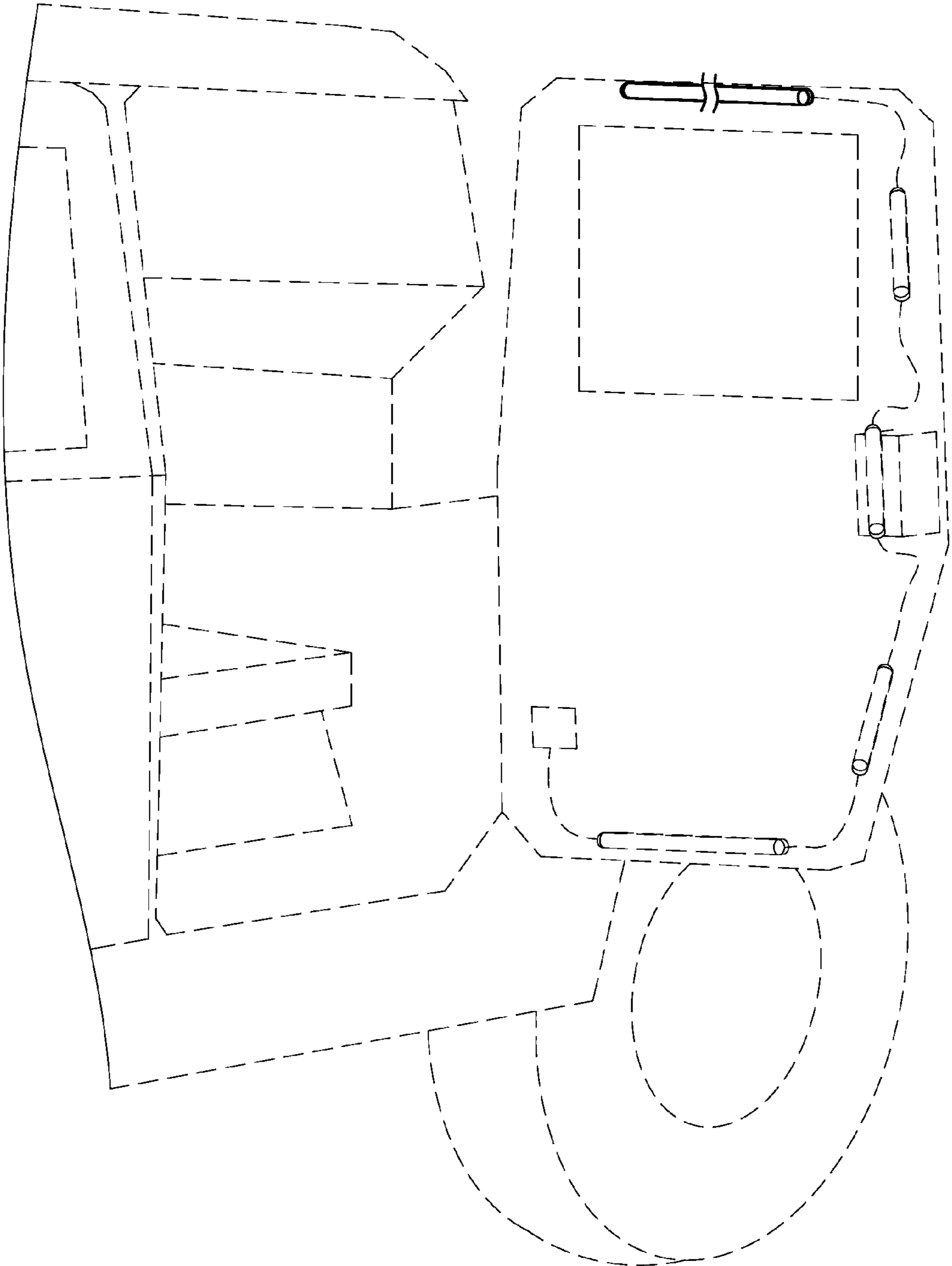


FIG. 1

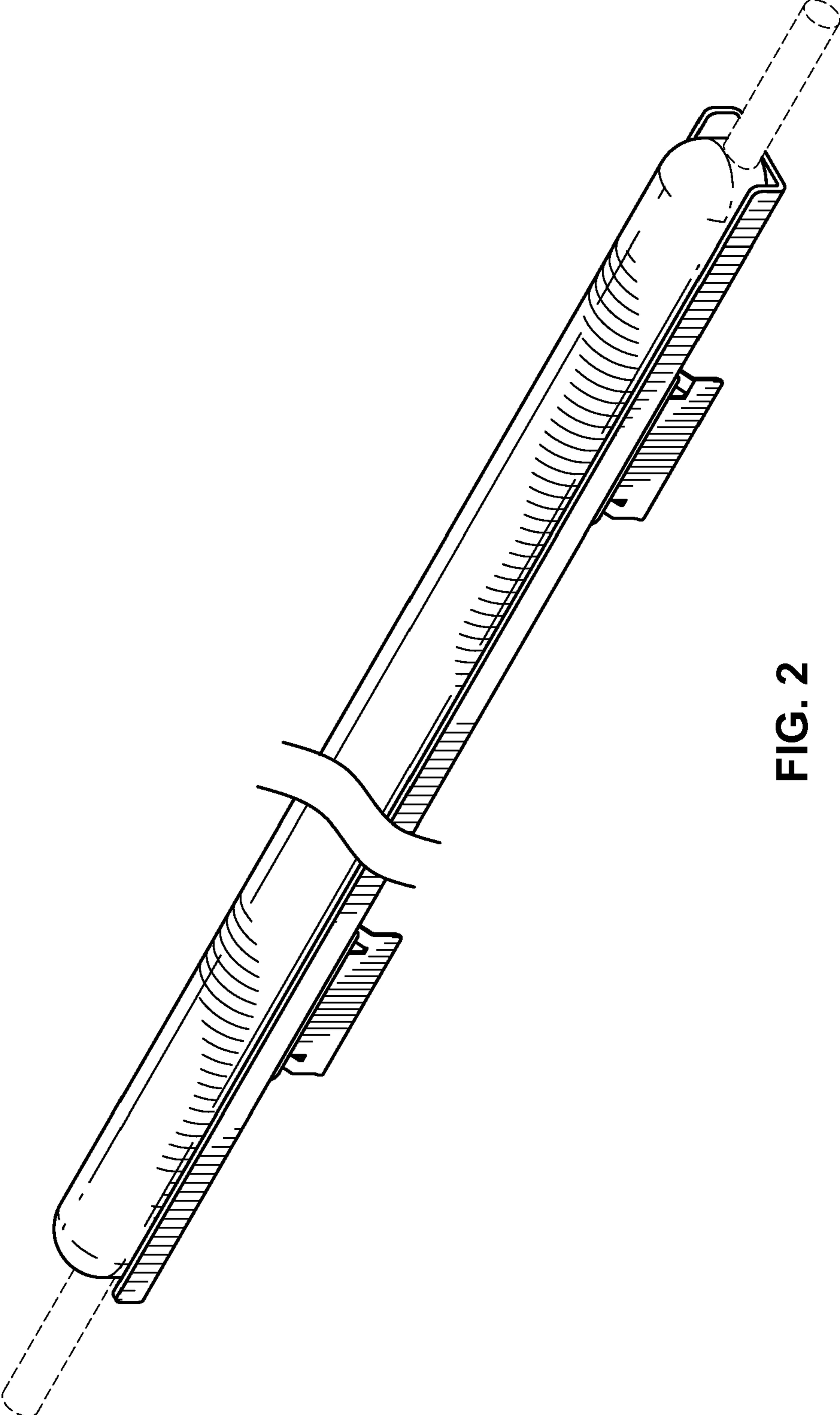


FIG. 2

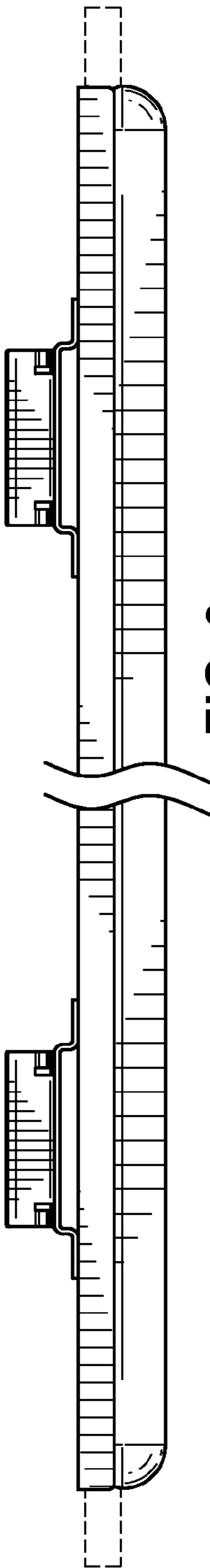


FIG. 3

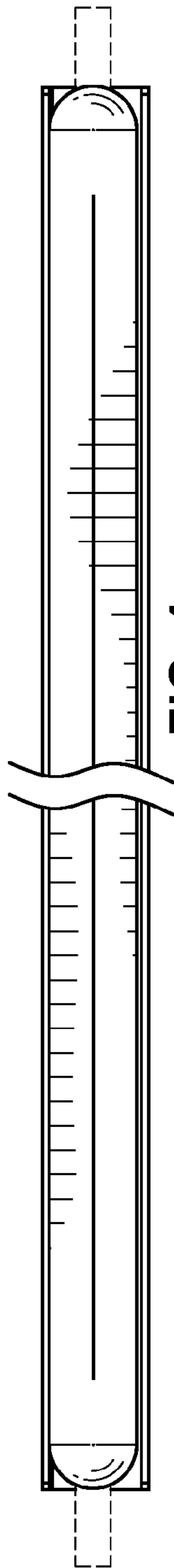


FIG. 4

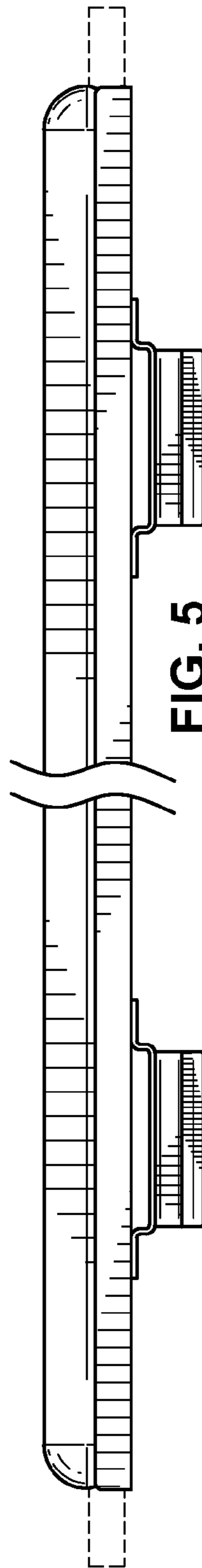


FIG. 5

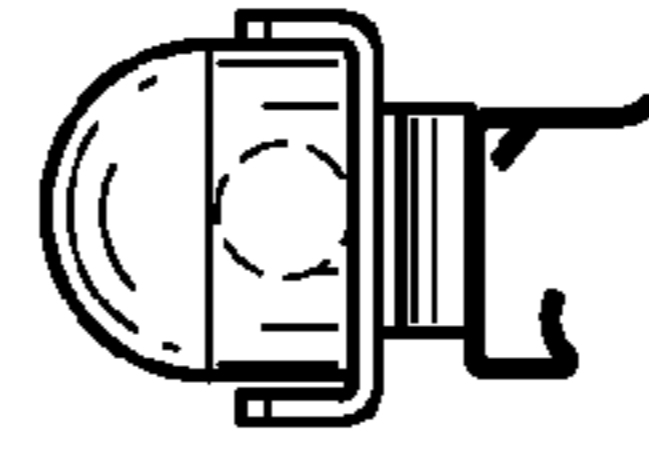


FIG. 7

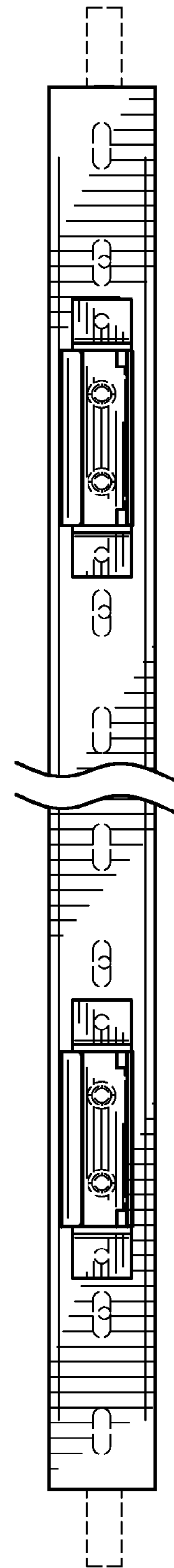


FIG. 6