



US00D621336S

(12) **United States Design Patent**
Cazals et al.

(10) **Patent No.:** **US D621,336 S**

(45) **Date of Patent:** **** Aug. 10, 2010**

(54) **AIRCRAFT TAIL**

D597,472 S * 8/2009 Cazals D12/319

(75) Inventors: **Olivier Cazals**, Daux (FR); **Jaime Genty de la Sagne**, Toulouse (FR)

(73) Assignee: **Airbus Operations S.A.S.**, Toulouse Cedex (FR)

(**) Term: **14 Years**

(21) Appl. No.: **29/355,522**

(22) Filed: **Feb. 9, 2010**

(51) **LOC (9) Cl.** **12-07**

(52) **U.S. Cl.** **D12/345**

(58) **Field of Classification Search** D12/319–345;
D21/447, 448; 244/4 R, 7 B, 12.1, 13, 15,
244/21, 23 R, 117 R, 130

See application file for complete search history.

(56) **References Cited**

U.S. PATENT DOCUMENTS

D230,961 S *	3/1974	Ryan et al.	D12/338
D246,298 S *	11/1977	Hansen	D12/324
D248,745 S *	8/1978	Jager	D12/333
D274,510 S *	7/1984	McComas et al.	D12/338
4,976,396 A *	12/1990	Carlson et al.	244/55
D319,805 S *	9/1991	Wiegert	D12/333
D351,131 S *	10/1994	Inoue et al.	D12/331
D439,876 S *	4/2001	Simonov et al.	D12/342
D479,501 S *	9/2003	Nelson	D12/319
D499,689 S *	12/2004	Han	D12/319
D500,729 S *	1/2005	Wilding et al.	D12/319
D500,730 S *	1/2005	Bye et al.	D12/319
D500,981 S *	1/2005	Wilding et al.	D12/319
D501,178 S *	1/2005	Han	D12/319
D516,008 S *	2/2006	Vigneron et al.	D12/319
D541,207 S *	4/2007	Seidel	D12/343
D573,939 S *	7/2008	Las Heras	D12/319
D583,295 S *	12/2008	Au	D12/343
D592,582 S *	5/2009	Tamm et al.	D12/319
D595,210 S *	6/2009	Cazals	D12/345
D595,211 S *	6/2009	Cazals	D12/345
D595,213 S *	6/2009	Cazals	D12/345

OTHER PUBLICATIONS

U.S. Appl. No. 29/355,507, filed Feb. 9, 2010; Aircraft Tail.

(Continued)

Primary Examiner—T. Chase Nelson

Assistant Examiner—Maurice Stevens

(74) *Attorney, Agent, or Firm*—Osler, Hoskin & Harcourt LLP

(57) **CLAIM**

The ornamental design for an aircraft tail, as shown and described.

DESCRIPTION

FIG. 1 is a perspective view taken from a top, front, left side of an aircraft tail according to our design shown on an aircraft shown in dotted lines;

FIG. 2 is a top plan view thereof;

FIG. 3 is a bottom plan view thereof;

FIG. 4 is a front elevation view of the aircraft tail as seen from line 4—4 in FIG. 3;

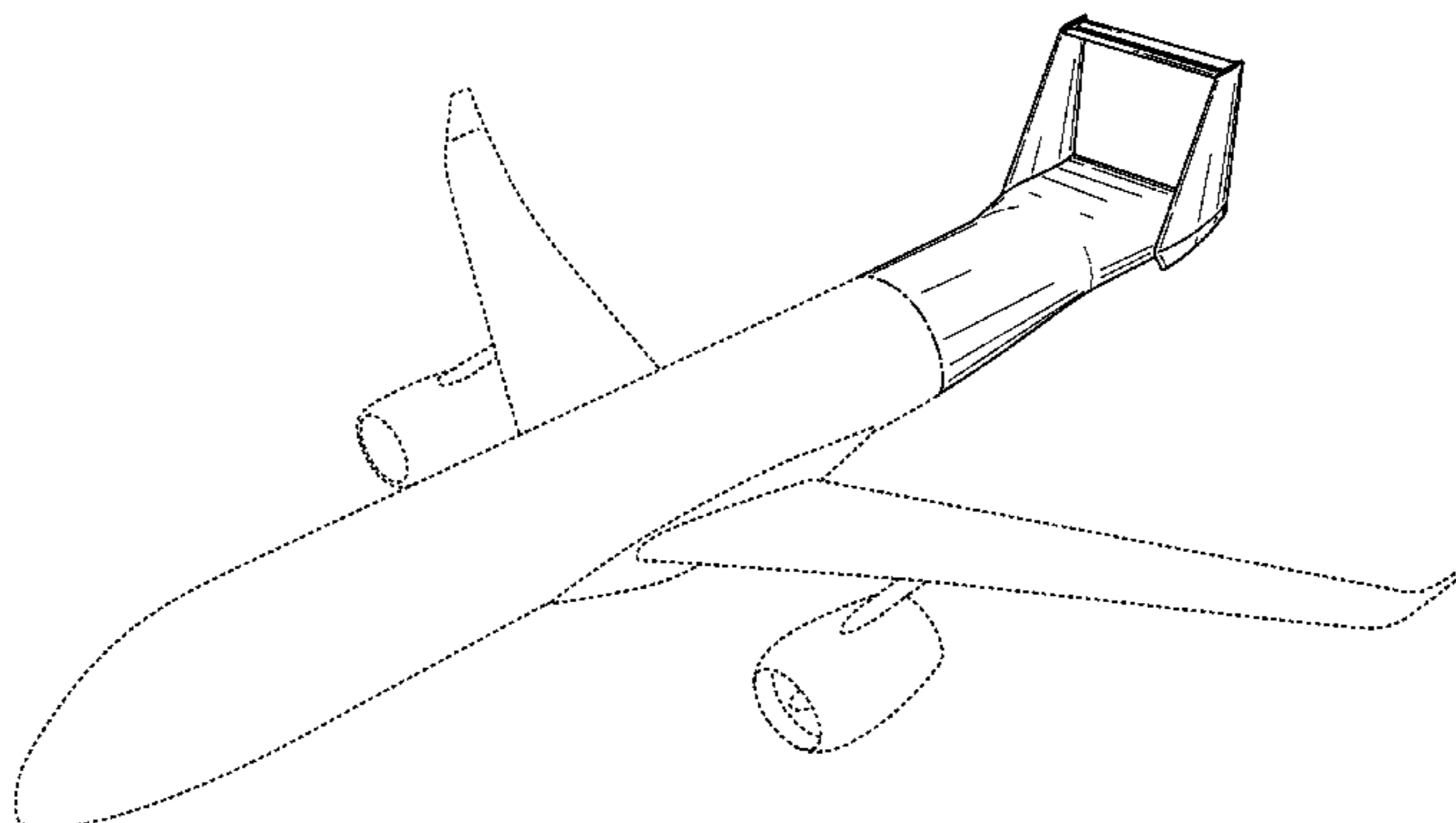
FIG. 5 is a rear elevation view of the aircraft tail of FIG. 1;

FIG. 6 is a left side elevation view thereof; and,

FIG. 7 is a right side elevation view thereof.

Throughout the Figures, where shown: (i) the dotted lines showing environment are for illustrative purposes only and form no part of the claimed design; (ii) the unshaded surfaces do not form part of the claimed design; and (iii) the dash-dot lines illustrate unclaimed boundaries of surfaces claimed as part of the design.

1 Claim, 7 Drawing Sheets



US D621,336 S

Page 2

OTHER PUBLICATIONS

U.S. Appl. No. 29/355,508, filed Feb. 9, 2010; Aircraft Tail.
U.S. Appl. No. 29/355,513, filed Feb. 9, 2010; Aircraft Tail.
U.S. Appl. No. 29/355,515, filed Feb. 9, 2010; Aircraft Tail.

U.S. Appl. No. 29/355,516, filed Feb. 9, 2010; Aircraft Tail.
U.S. Appl. No. 29/355,518, filed Feb. 9, 2010; Aircraft Tail.
U.S. Appl. No. 29/355,524, filed Feb. 9, 2010; Aircraft Tail.

* cited by examiner

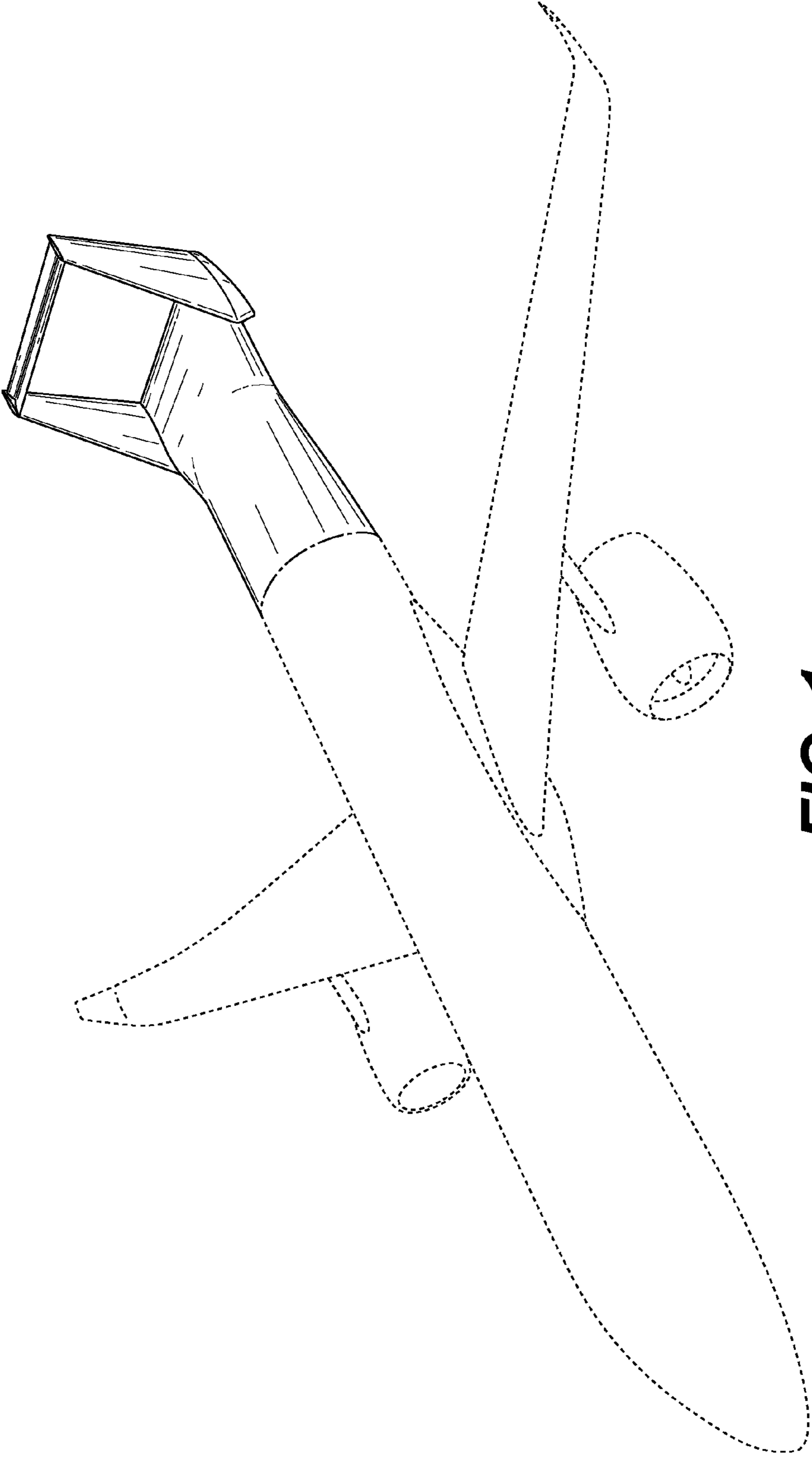


FIG. 1

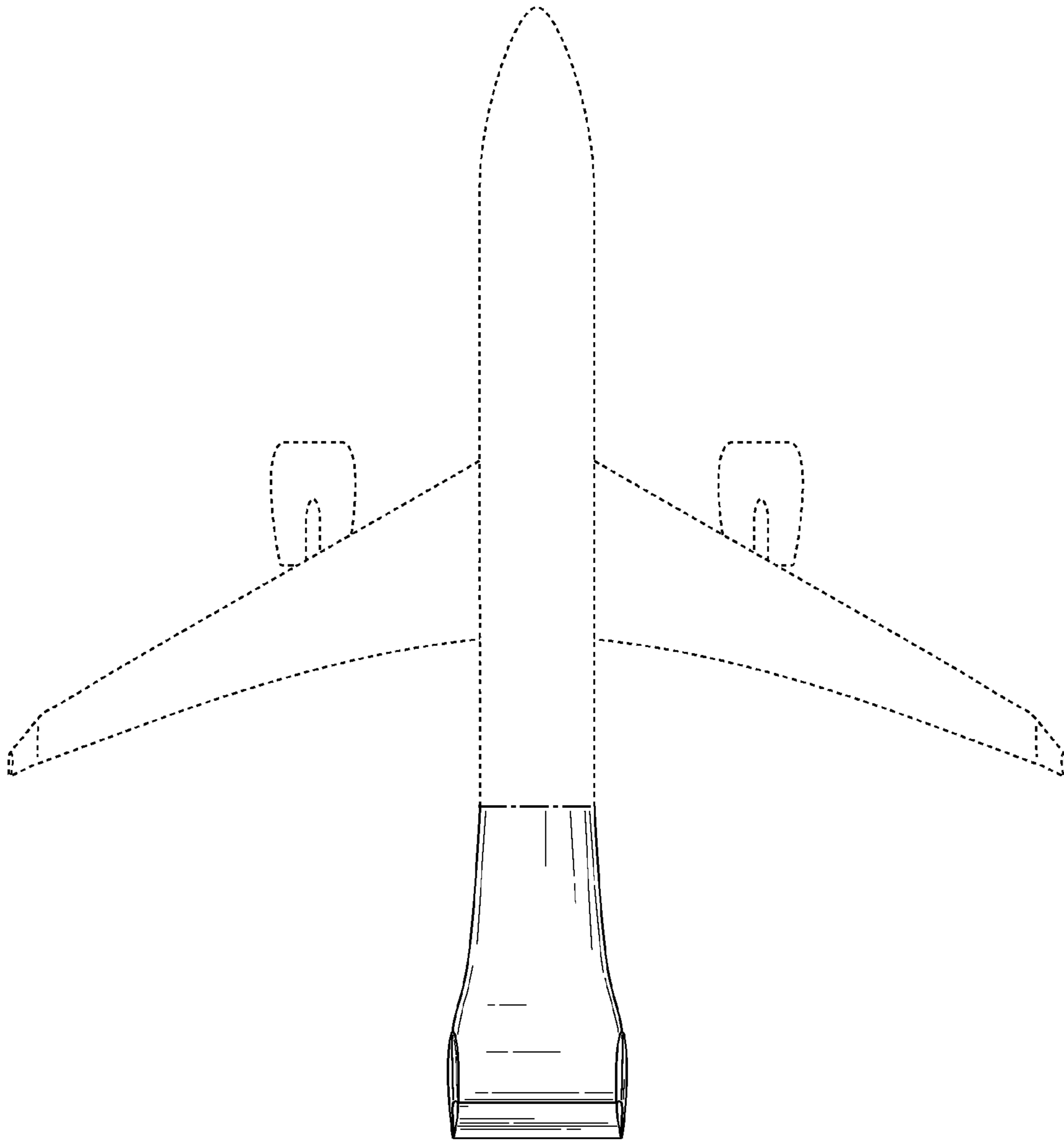


FIG. 2

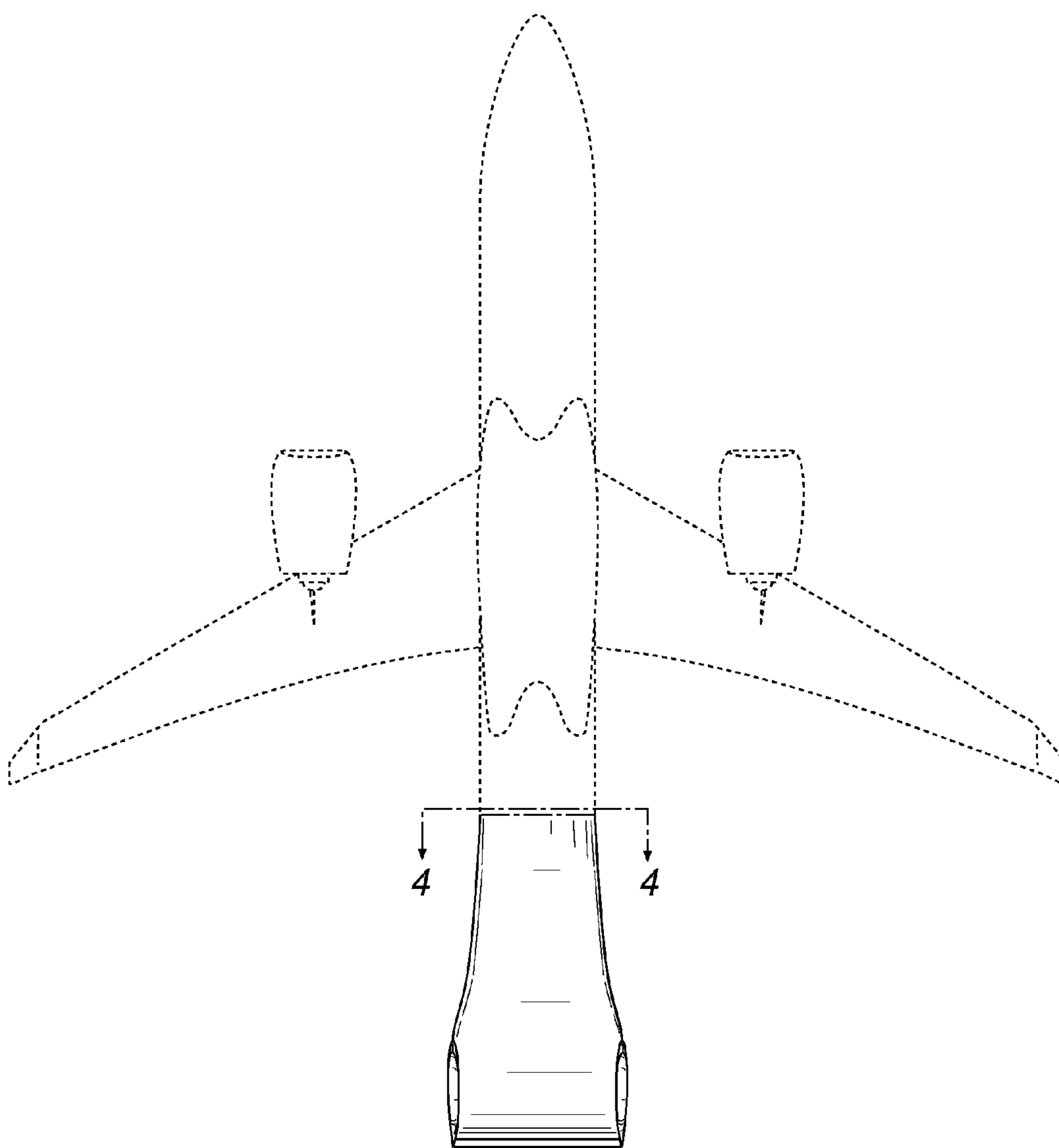


FIG. 3

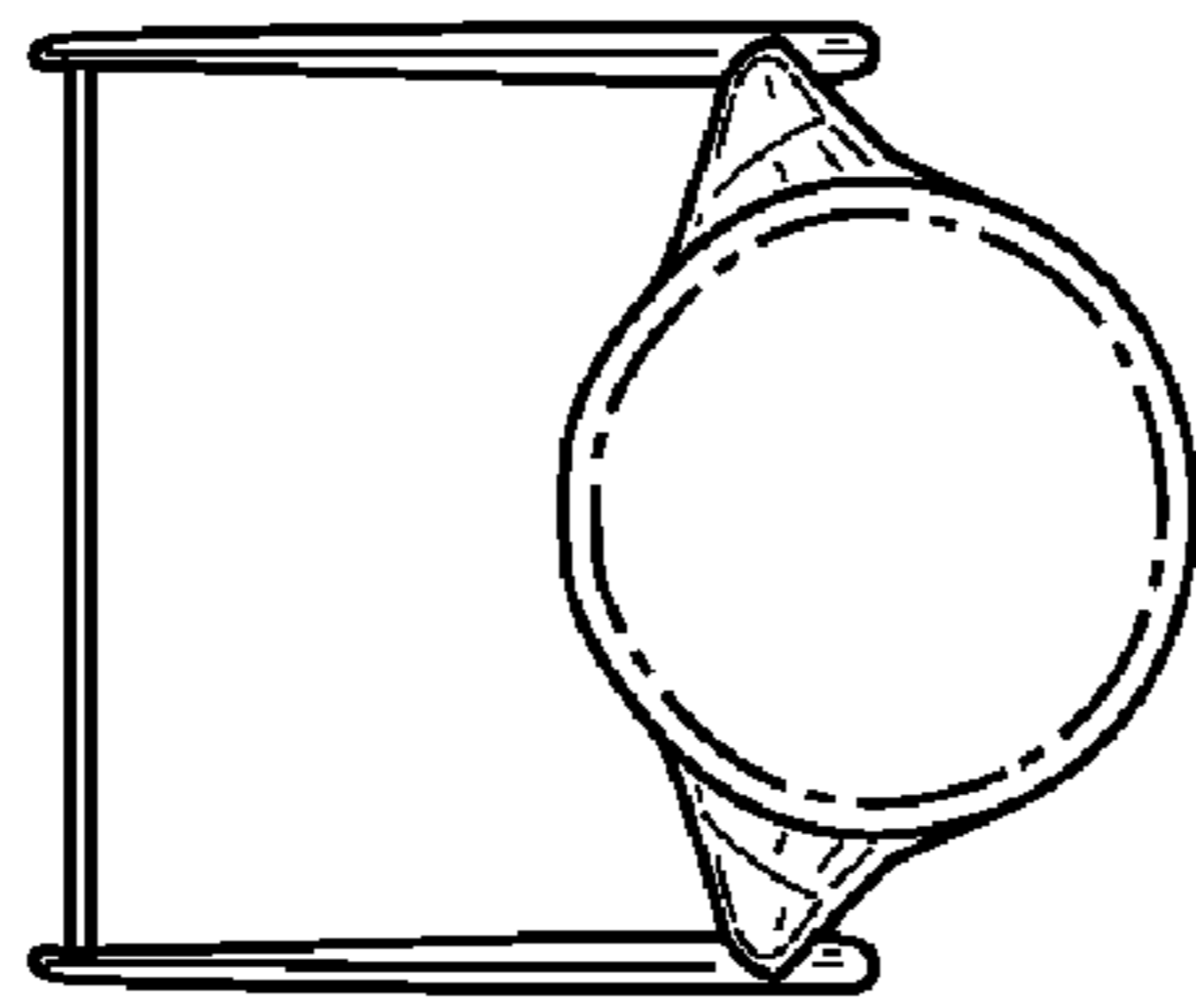


FIG. 4

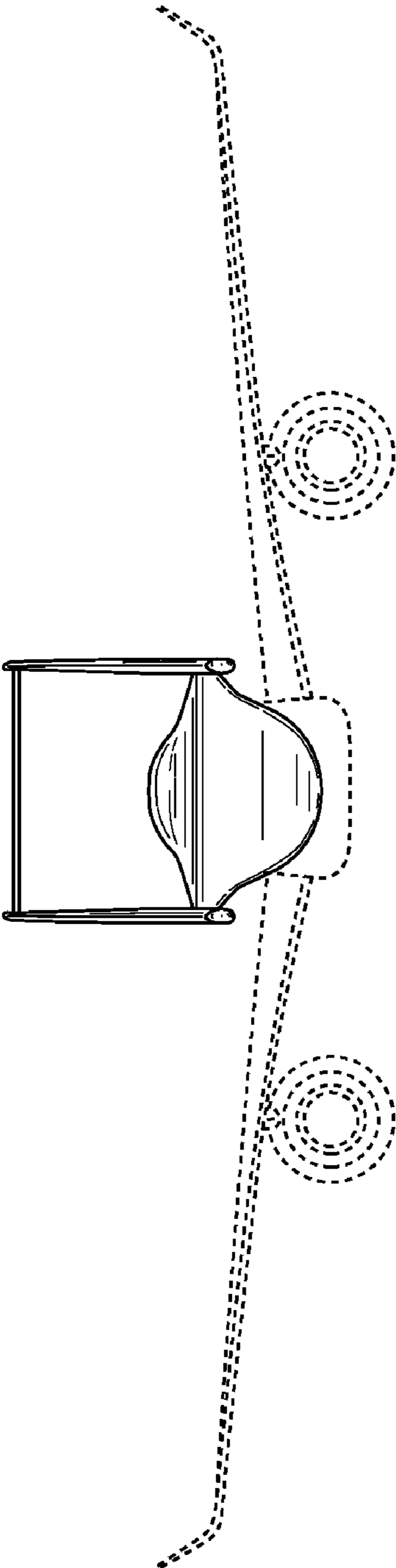


FIG. 5

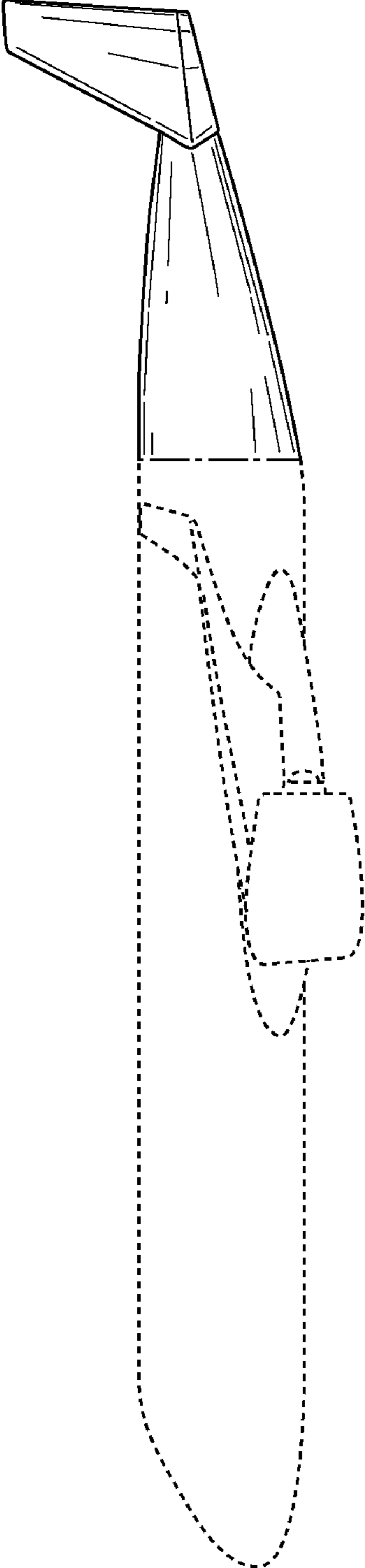


FIG. 6

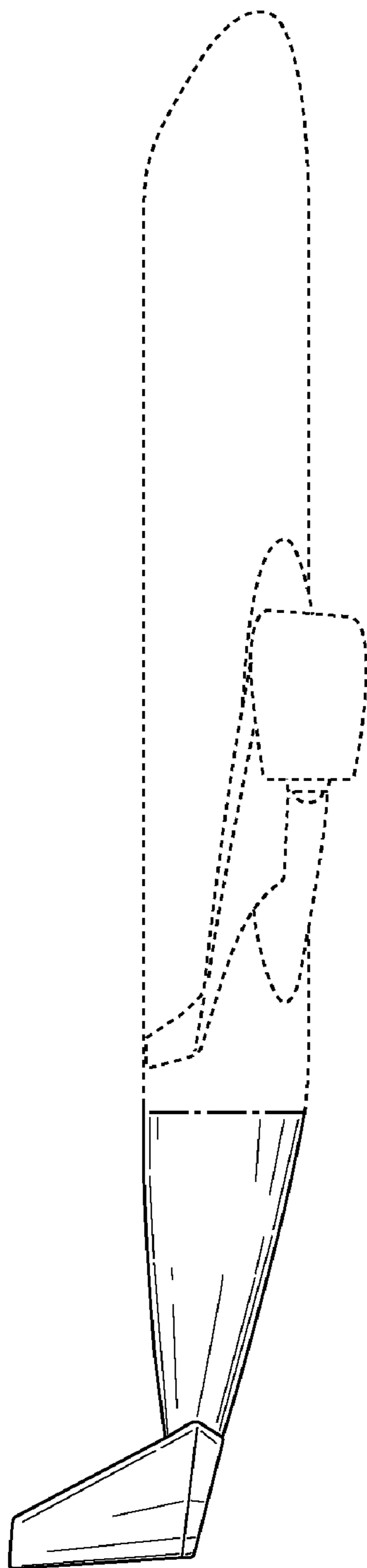


FIG. 7