



US00D621324S

(12) **United States Design Patent**  
**Kim**

(10) **Patent No.:** **US D621,324 S**

(45) **Date of Patent:** **\*\* Aug. 10, 2010**

(54) **WIPER BLADE AND ADAPTOR  
COMBINATION FOR AUTOMOBILES**

(75) Inventor: **In-Kyu Kim**, Sunkyung Apt. #15-1505,  
592 Seongpo-dong, Sangrok-gu,  
Ansan-si, Gyeonggi-do (KR)

(73) Assignees: **ADM21 Co., Ltd.**, Gyeonggi-do (KR);  
**In-Kyu Kim**, Gyeonggi-do (KR)

(\*\*) Term: **14 Years**

(21) Appl. No.: **29/354,270**

(22) Filed: **Jan. 21, 2010**

(30) **Foreign Application Priority Data**

Aug. 28, 2009 (KR) ..... 30-2009-0038171

(51) **LOC (9) Cl.** ..... **12-06**

(52) **U.S. Cl.** ..... **D12/219**

(58) **Field of Classification Search** ..... D12/219-220;  
15/246, 247, 250.001, 250.4, 250.361, 250.19,  
15/250.48, 250.03, 250.31-250.33, 250.351,  
15/250.38, 250.201, 250.451, 250.458, 250.04,  
15/250.07, 250.44

See application file for complete search history.

(56) **References Cited**

**U.S. PATENT DOCUMENTS**

D443,854 S \* 6/2001 De Block ..... D12/219  
D505,493 S \* 5/2005 Ryan ..... D24/216

D524,223 S \* 7/2006 Nakano et al. .... D12/219  
D552,025 S \* 10/2007 Kim ..... D12/219  
D556,115 S \* 11/2007 Kim ..... D12/219  
D587,186 S \* 2/2009 Herinckx et al. .... D12/220  
D606,480 S \* 12/2009 Kim ..... D12/219  
2010/0000041 A1 \* 1/2010 Boland ..... 15/250.32

\* cited by examiner

*Primary Examiner*—Caron Veynar

*Assistant Examiner*—Katrina A Kile

(74) *Attorney, Agent, or Firm*—Seed IP Law Group PLLC

(57) **CLAIM**

The ornamental design for a wiper blade and adaptor combination for automobiles, as shown and described.

**DESCRIPTION**

FIG. 1 is an isometric view of the wiper blade and adaptor combination for automobiles.

FIG. 2 is a front view thereof.

FIG. 3 is a rear view thereof.

FIG. 4 is an enlarged left side view thereof.

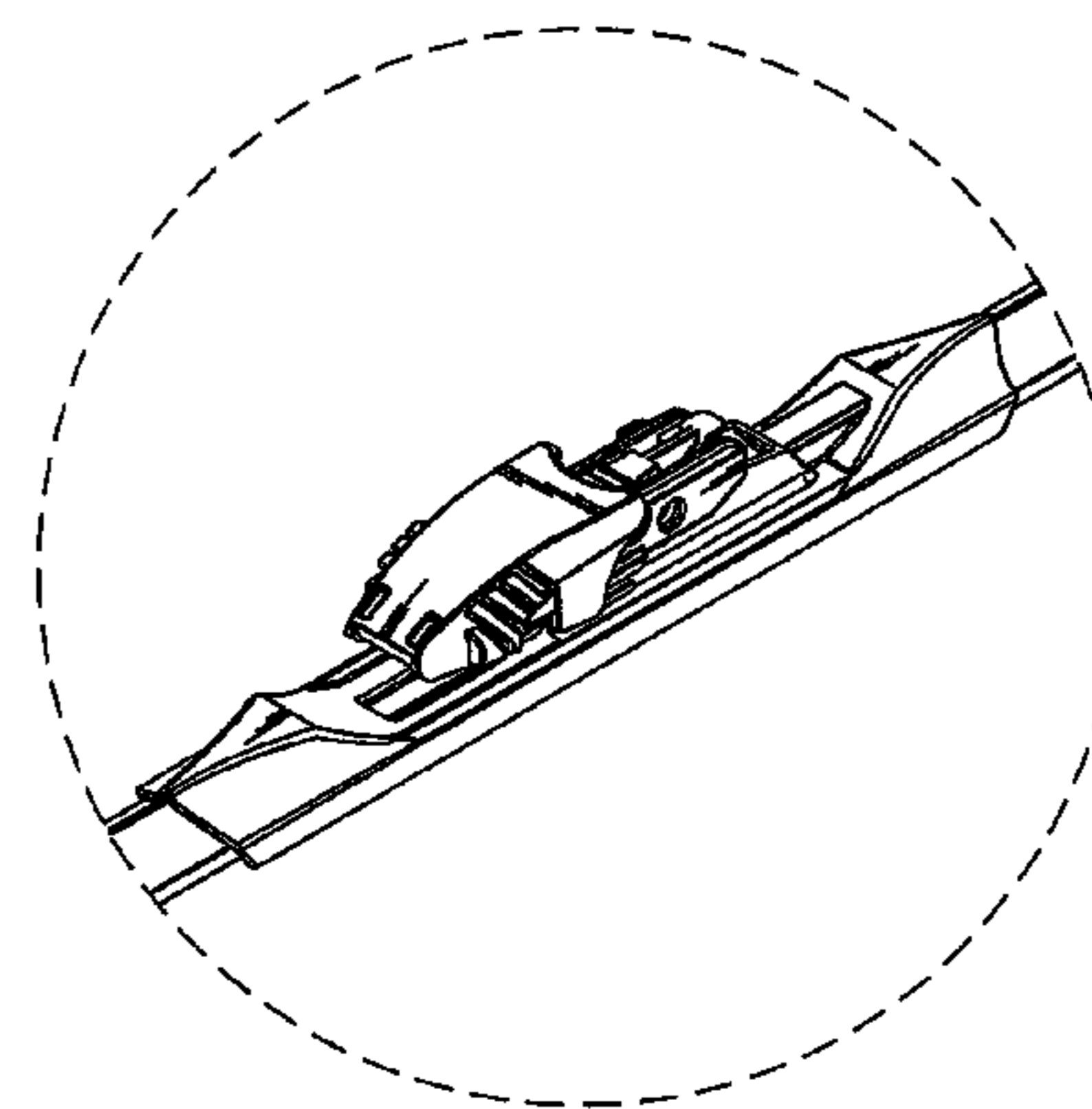
FIG. 5 is an enlarged right side view thereof.

FIG. 6 is a top plan view thereof.

FIG. 7 is a bottom plan view thereof; and,

FIG. 8 is an enlarged fragmentary view of the encircled portion labeled as “8” in FIG. 1.

**1 Claim, 5 Drawing Sheets**



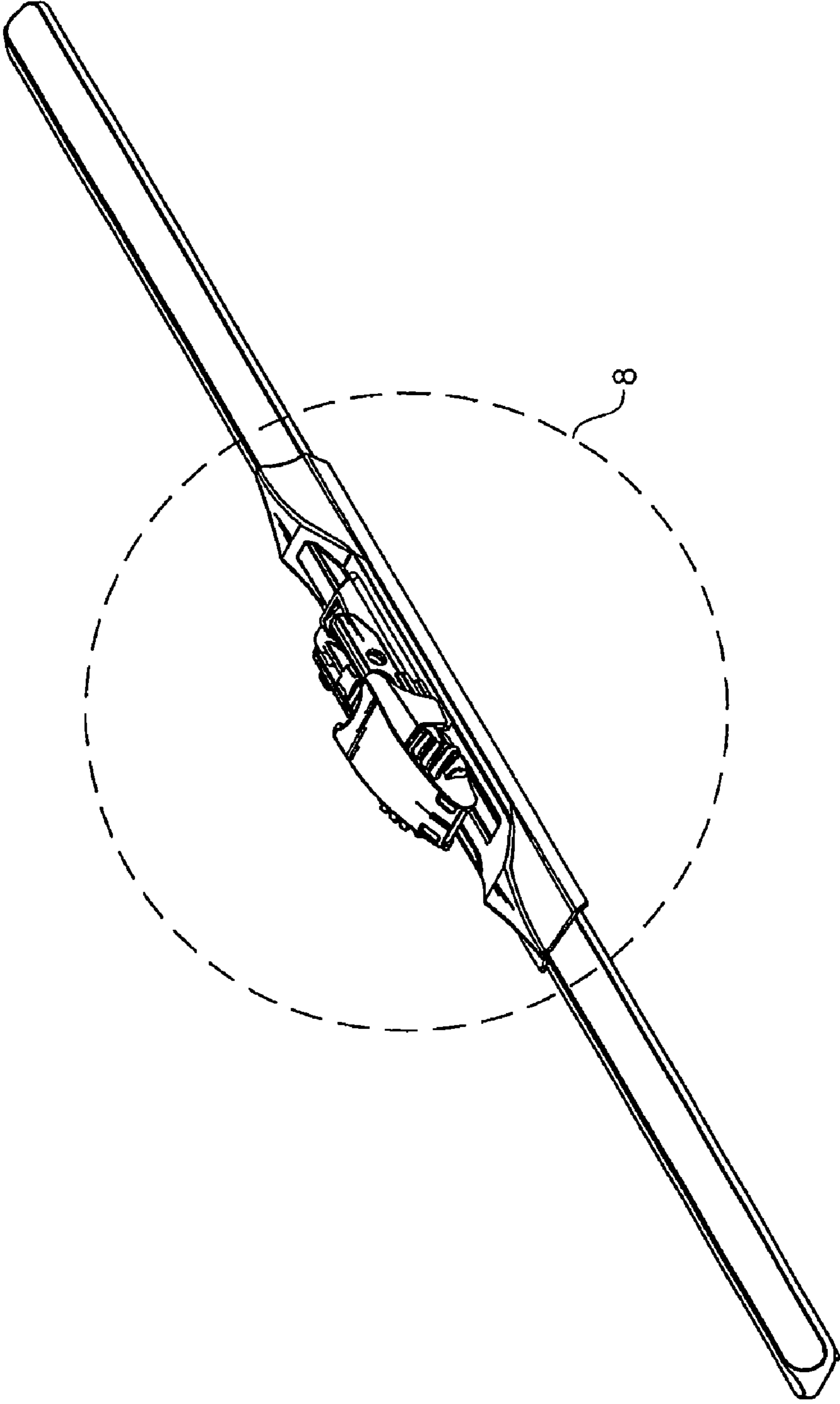


FIG 1

FIG 2

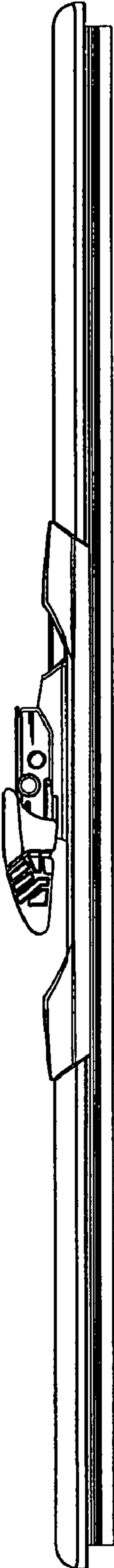


FIG 3

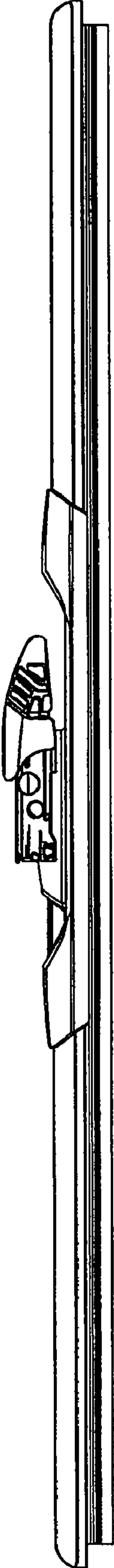


FIG 4

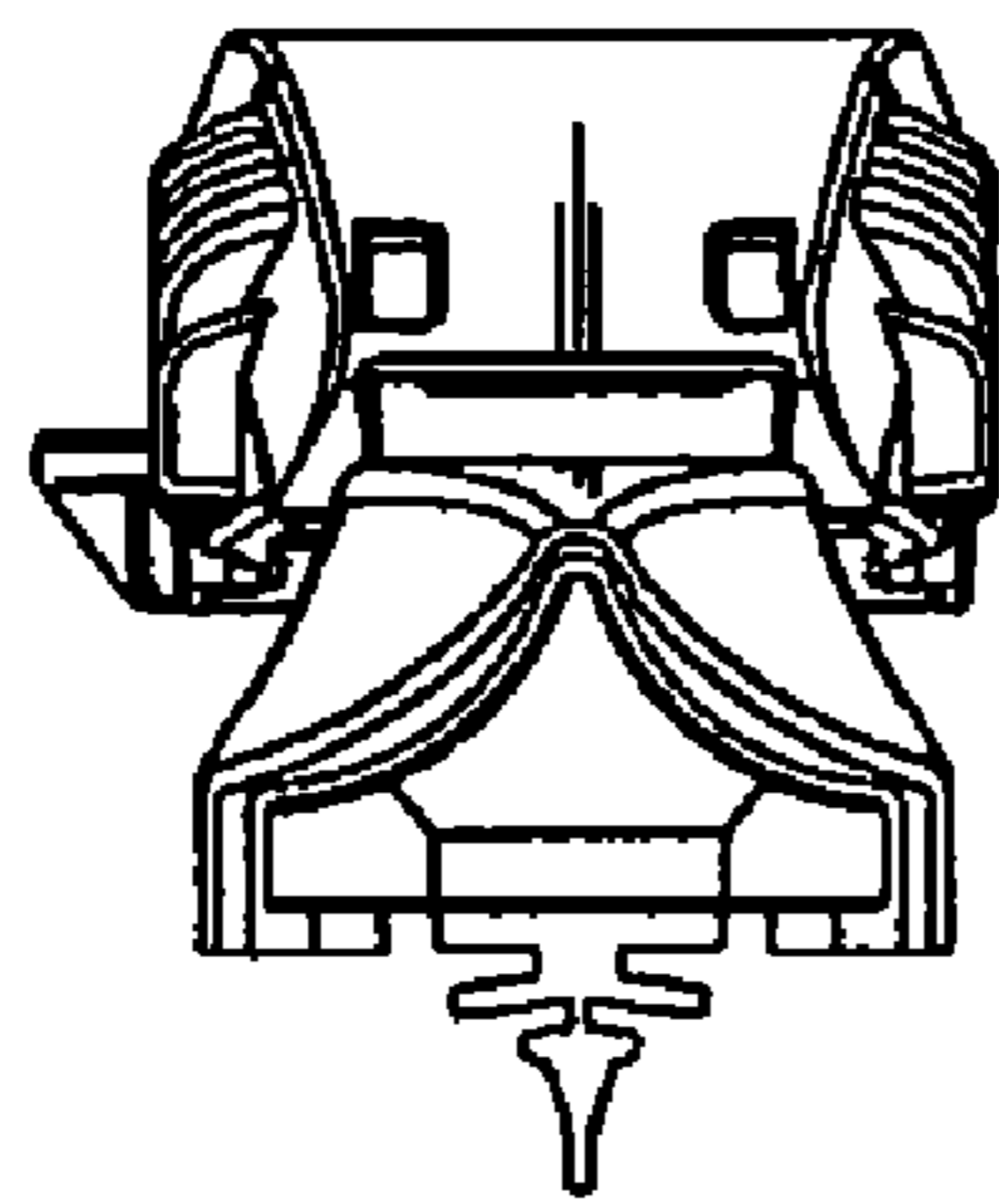
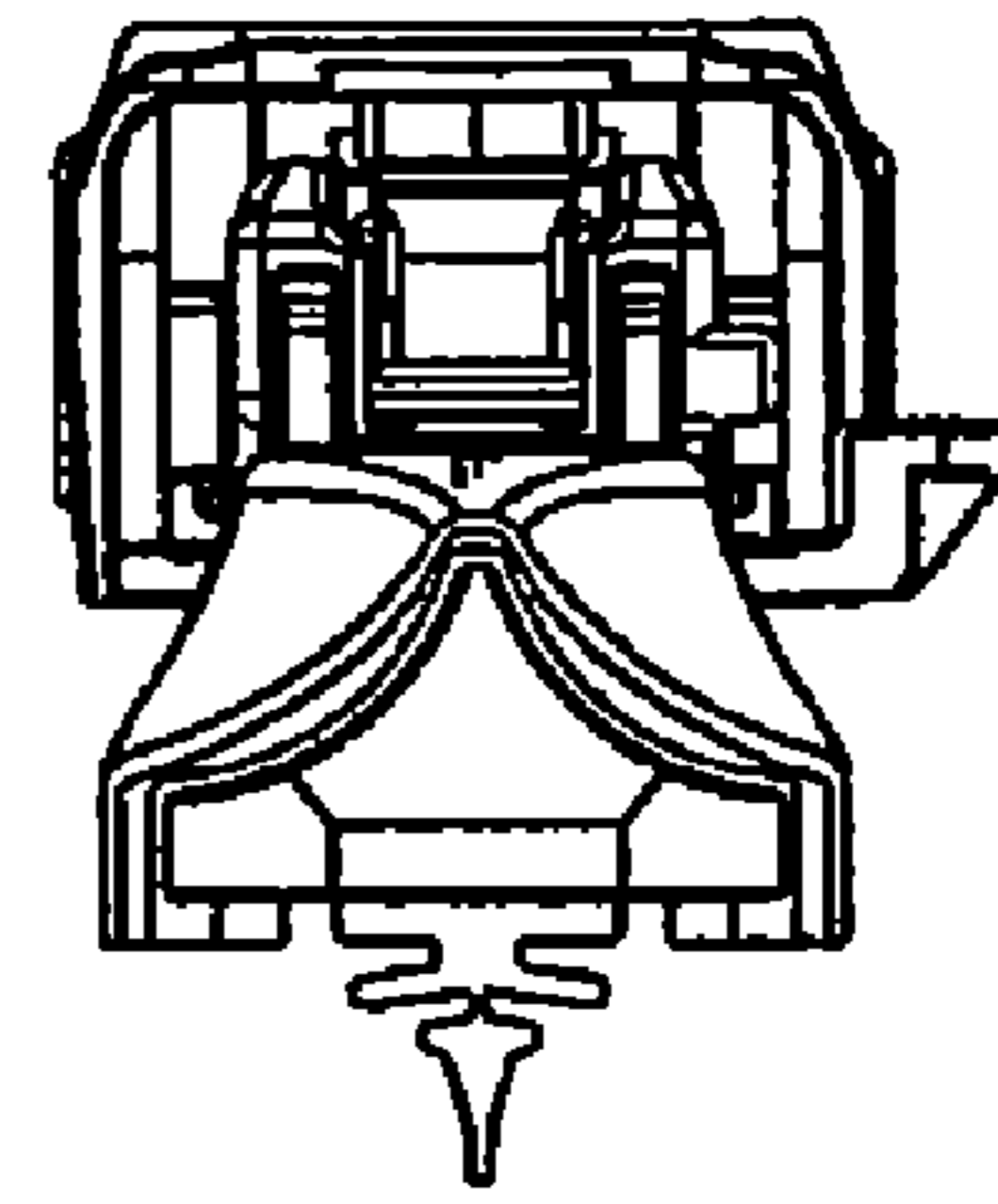


FIG 5



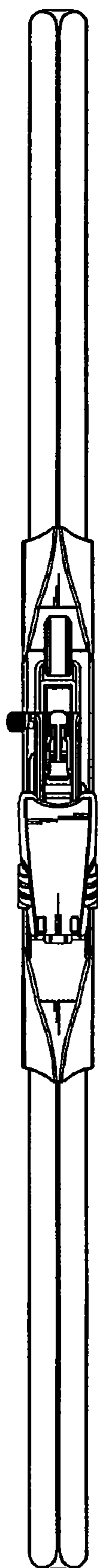


FIG 6

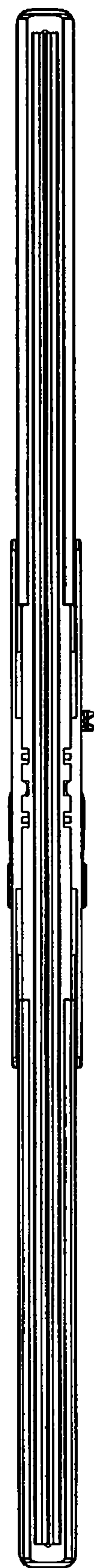


FIG 7

FIG 8

