



US00D621318S

(12) **United States Design Patent**  
**Elmitt**

(10) **Patent No.:** **US D621,318 S**  
(45) **Date of Patent:** **\*\* Aug. 10, 2010**

(54) **WHEEL OR WHEEL COVER**

D597,918 S 8/2009 Juergens et al.

(75) Inventor: **Karl-Johann Elmitt**, Eching (DE)

FOREIGN PATENT DOCUMENTS

(73) Assignee: **Bayerische Motoren Werke Aktiengesellschaft**, Munich (DE)

DE	40010998.0	3/2001
EM	000422795-0006	12/2005
EM	000754593-0004	9/2007
EM	000997572-0008	10/2008
EM	001598277-00010	1/2010

(\*\*) Term: **14 Years**

\* cited by examiner

(21) Appl. No.: **29/354,016**

*Primary Examiner*—Stacia Cadmus

(22) Filed: **Jan. 19, 2010**

(74) *Attorney, Agent, or Firm*—Crowell & Moring LLP

(30) **Foreign Application Priority Data**

Jul. 20, 2009 (DE) ..... 402009003572

(57) **CLAIM**

(51) **LOC (9) Cl.** ..... **12-16**

The ornamental design for a wheel or wheel cover, as shown and described.

(52) **U.S. Cl.** ..... **D12/209**

(58) **Field of Classification Search** ..... D12/204–213;  
301/37.101, 64.101, 65, 64.201  
See application file for complete search history.

**DESCRIPTION**

This application contains subject matter related to the following pending U.S. design patent application:

Application Ser. No. 29/347,018, filed Aug. 24, 2009.

FIG. 1 is a front view of a wheel or wheel cover according to my design; and,

FIG. 2 is a perspective view thereof.

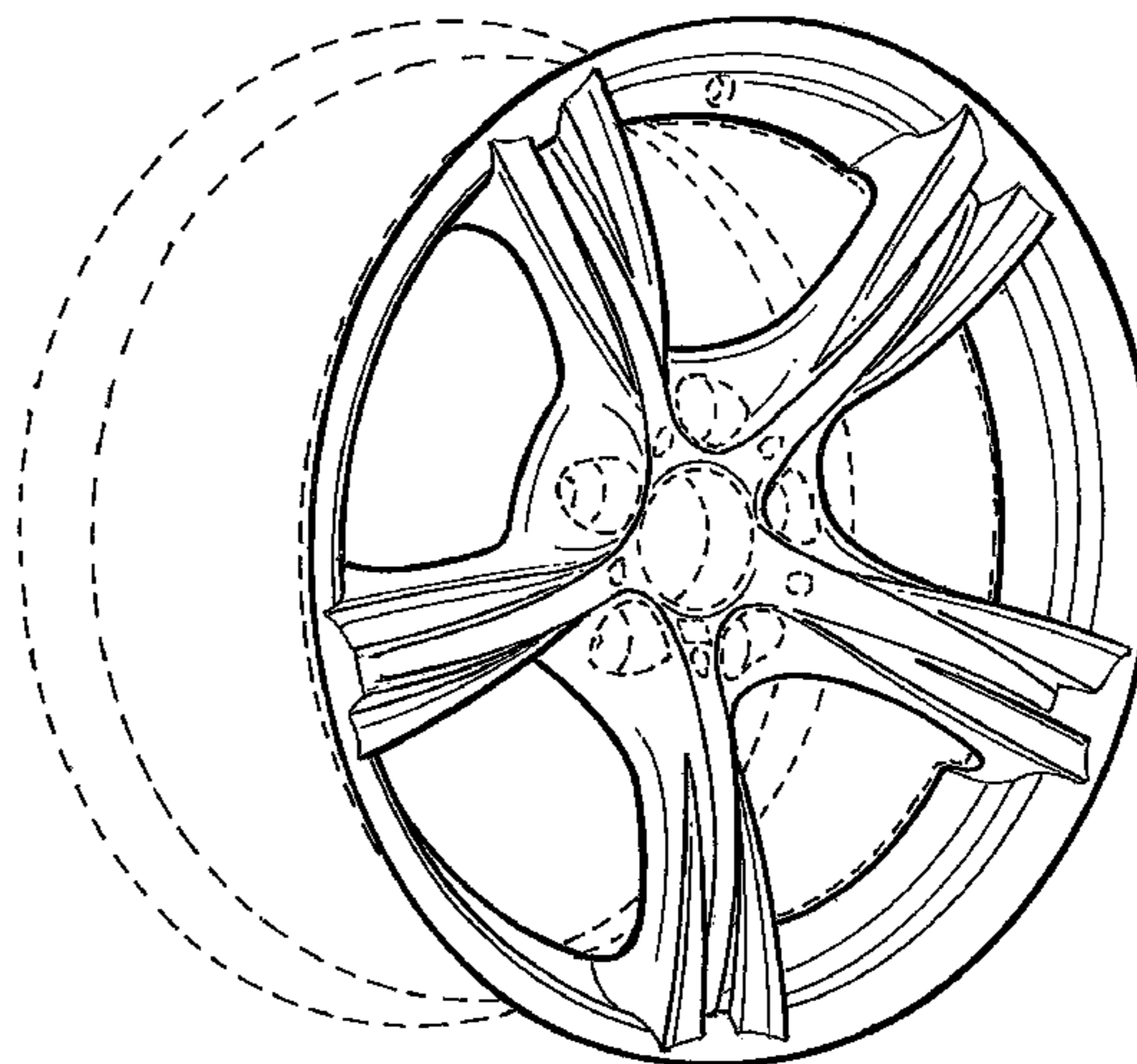
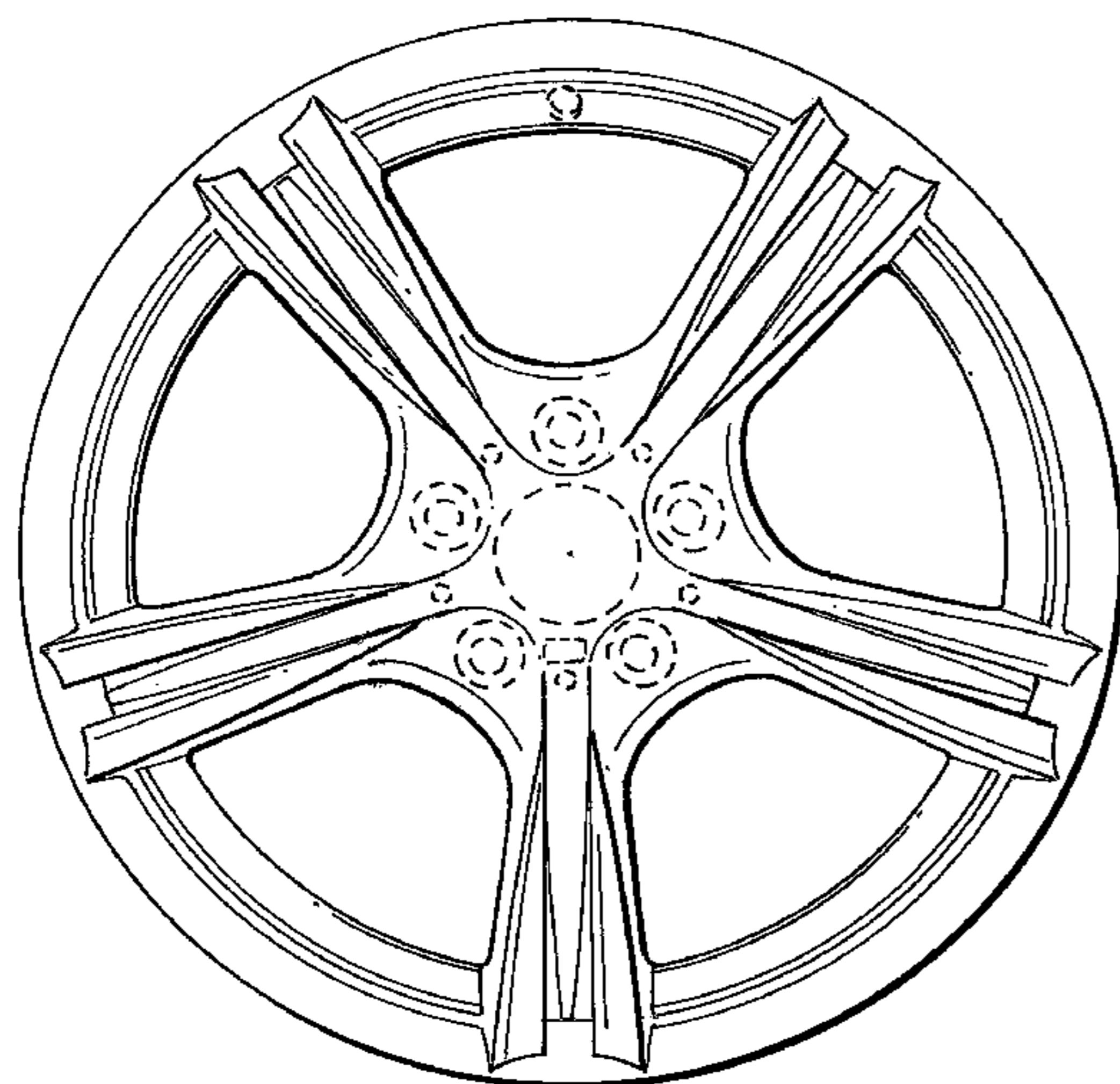
The broken line showing of the rear of the rim and the bolt holes and center hole in the central hub area is included for the purpose of illustrating environment and forms no part of the claimed design.

(56) **References Cited**

U.S. PATENT DOCUMENTS

D470,093 S	2/2003	Frizzi	
D524,216 S *	7/2006	Scheu	D12/211
D527,334 S	8/2006	Hettler	
D550,140 S *	9/2007	Laengerer	D12/211
D572,649 S *	7/2008	Laengerer	D12/211
D574,310 S	8/2008	Huet	
D581,849 S *	12/2008	Laengerer	D12/209
D582,332 S *	12/2008	Rak	D12/209

**1 Claim, 1 Drawing Sheet**



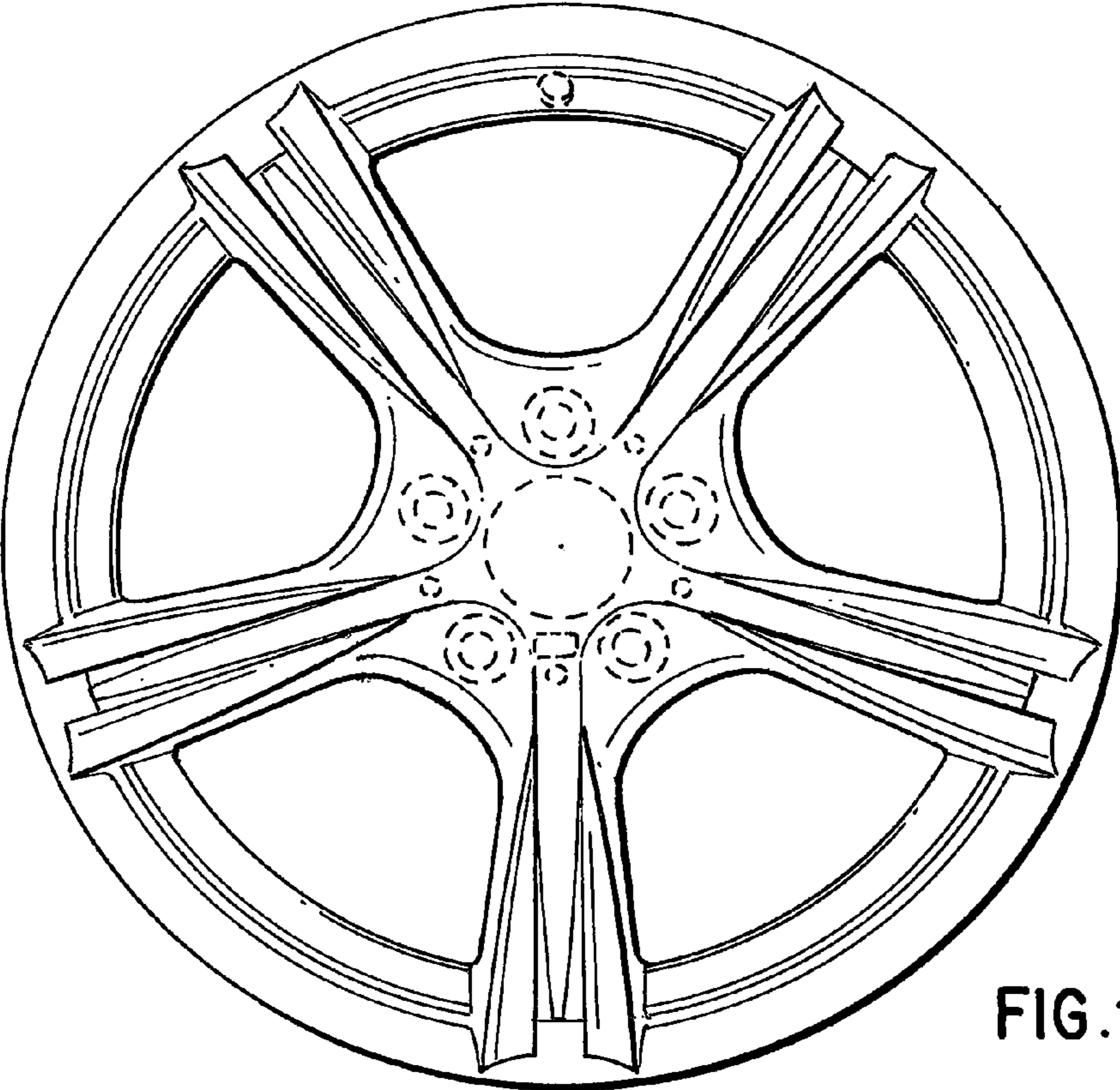


FIG. 1

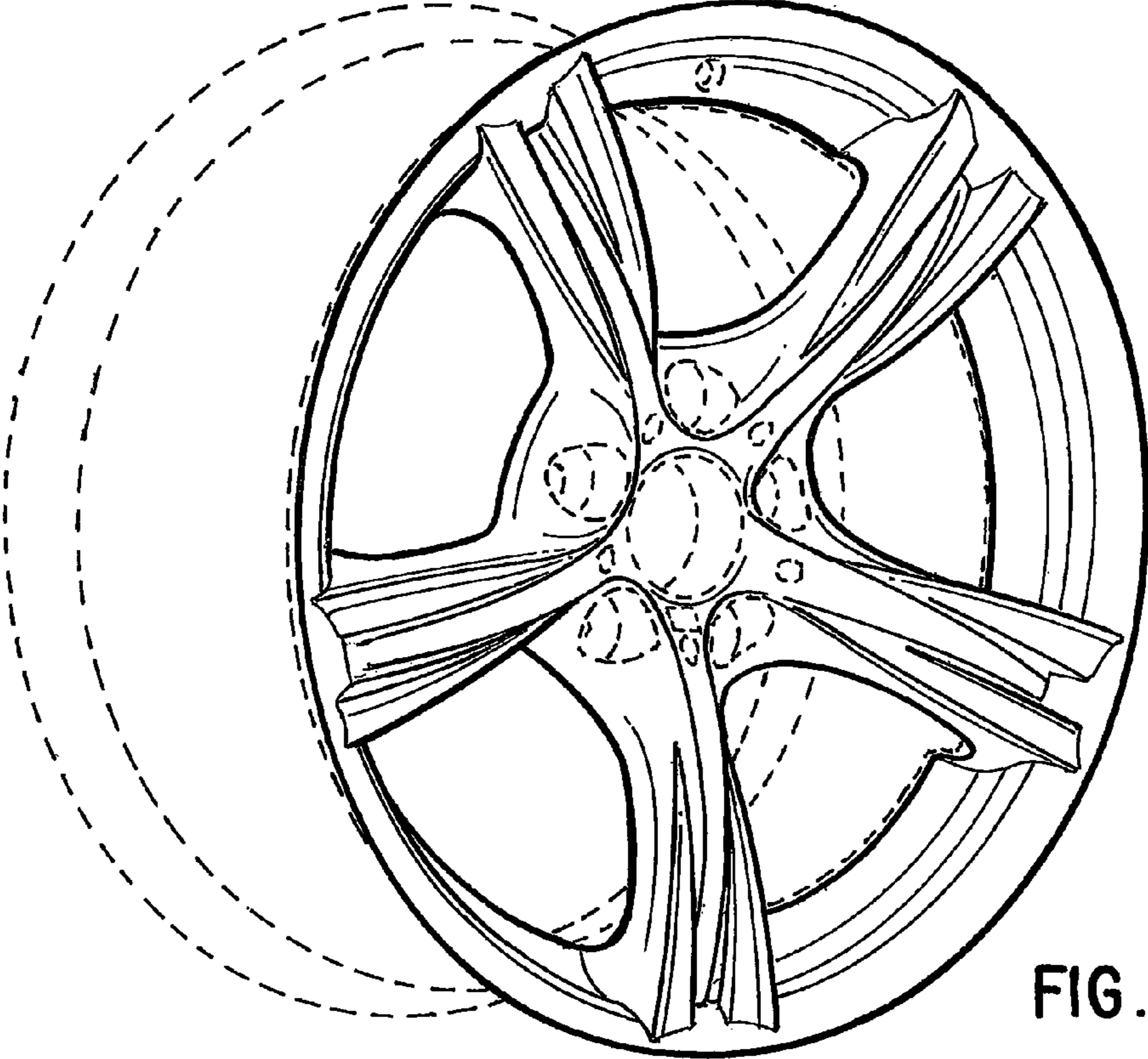


FIG. 2