



US00D621317S

(12) **United States Design Patent**
Antoniadis et al.

(10) **Patent No.:** **US D621,317 S**

(45) **Date of Patent:** **** Aug. 10, 2010**

(54) **WHEEL OR WHEEL COVER**

(75) Inventors: **Apostolos Antoniadis**, Sindelfingen (DE); **Thomas Binder**, Stuttgart (DE); **Stefan Handt**, Stuttgart (DE)

(73) Assignee: **Daimler AG**, Stuttgart (DE)

(**) Term: **14 Years**

(21) Appl. No.: **29/311,592**

(22) Filed: **Apr. 27, 2009**

(30) **Foreign Application Priority Data**

Oct. 28, 2008 (EM) 001029011-0003

(51) **LOC (9) Cl.** **12-16**

(52) **U.S. Cl.** **D12/209**

(58) **Field of Classification Search** D12/204-213;
301/37.101, 64.101, 65, 64.201

See application file for complete search history.

(56) **References Cited**

U.S. PATENT DOCUMENTS

D412,692 S * 8/1999 Hussaini D12/209
D421,417 S * 3/2000 Weidhase D12/209
D487,046 S * 2/2004 Yamagishi D12/209
D494,917 S * 8/2004 Pollmann D12/211

D504,098 S * 4/2005 Gallert D12/209
D510,554 S * 10/2005 Markefka D12/211
D530,258 S * 10/2006 Schell D12/211
D531,104 S * 10/2006 Kim D12/209
D582,335 S * 12/2008 Rak D12/211
D583,739 S * 12/2008 Gallert D12/209
D589,427 S * 3/2009 Scheu D12/211
D596,549 S * 7/2009 Varga D12/211
D604,221 S * 11/2009 Krisch D12/211

* cited by examiner

Primary Examiner—Stacia Cadmus

(74) *Attorney, Agent, or Firm*—Crowell & Moring LLP

(57) **CLAIM**

The ornamental design for a wheel or wheel cover, as shown and described.

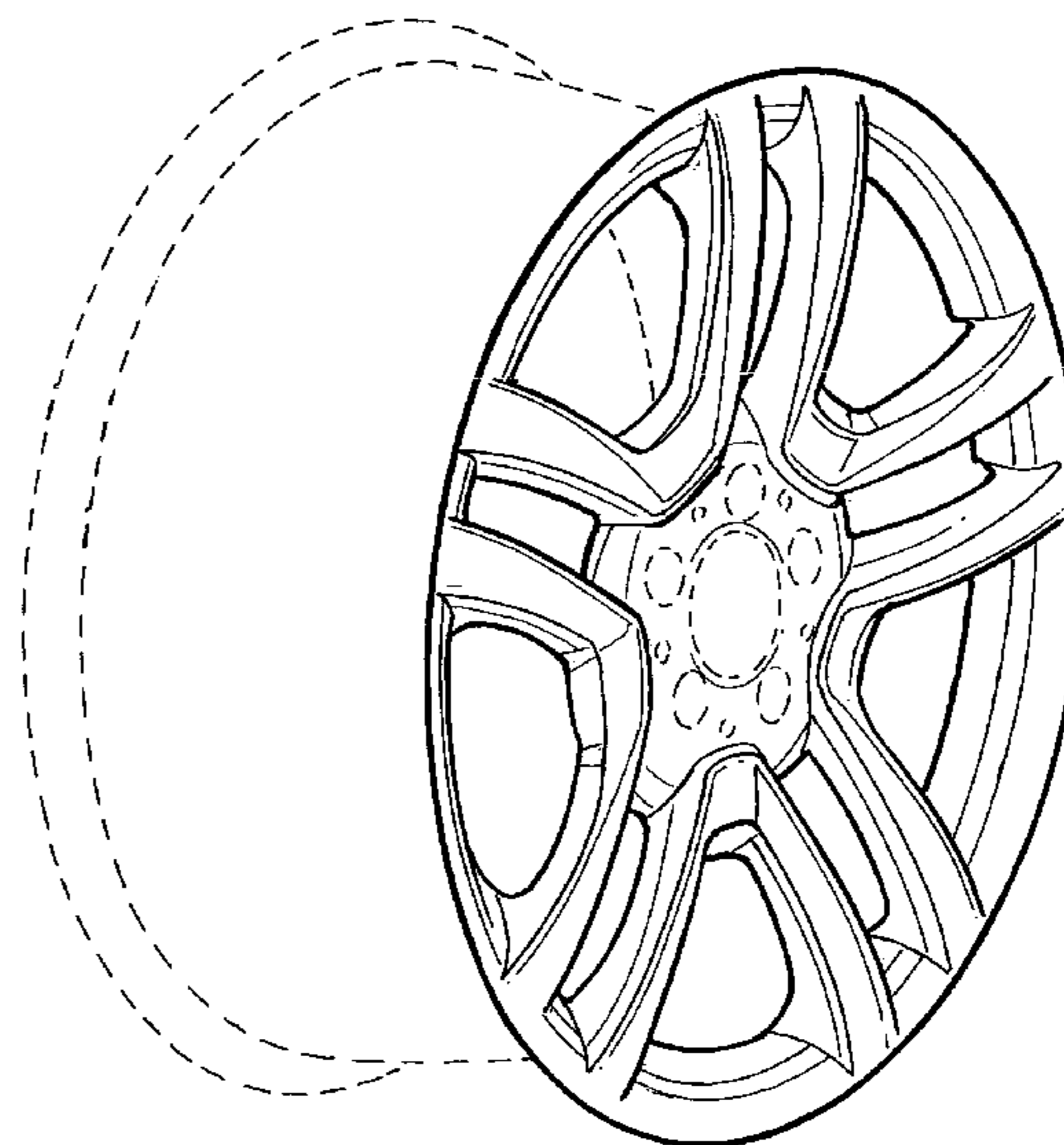
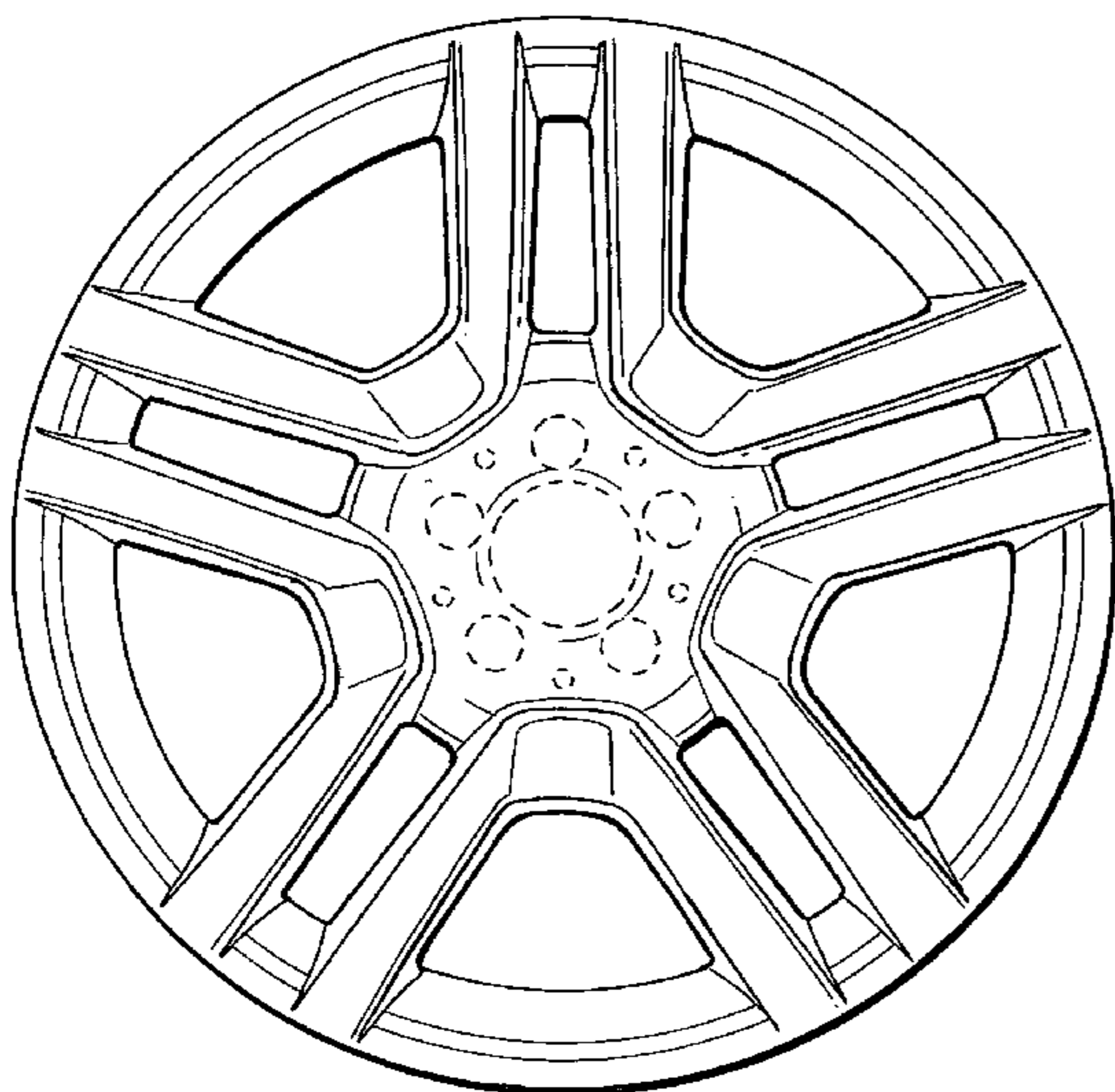
DESCRIPTION

FIG. 1 is a front view of a wheel or wheel cover according to our novel design; and,

FIG. 2 is a perspective view thereof.

The broken line showing of the rear of the rim and the bolt holes and center hole in the central hub area is included for the purpose of illustrating environment and forms no part of the claimed design.

1 Claim, 1 Drawing Sheet



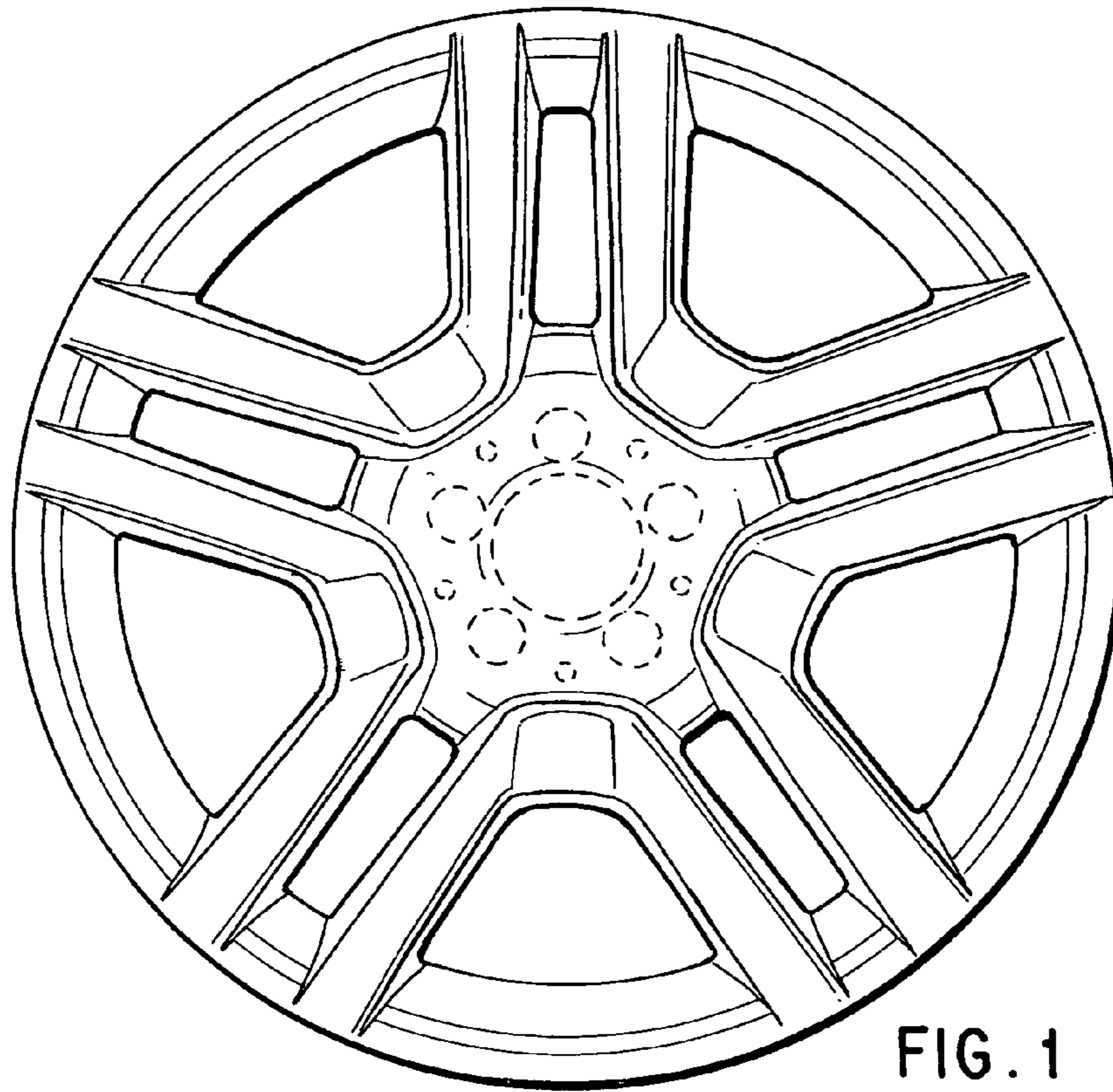


FIG. 1

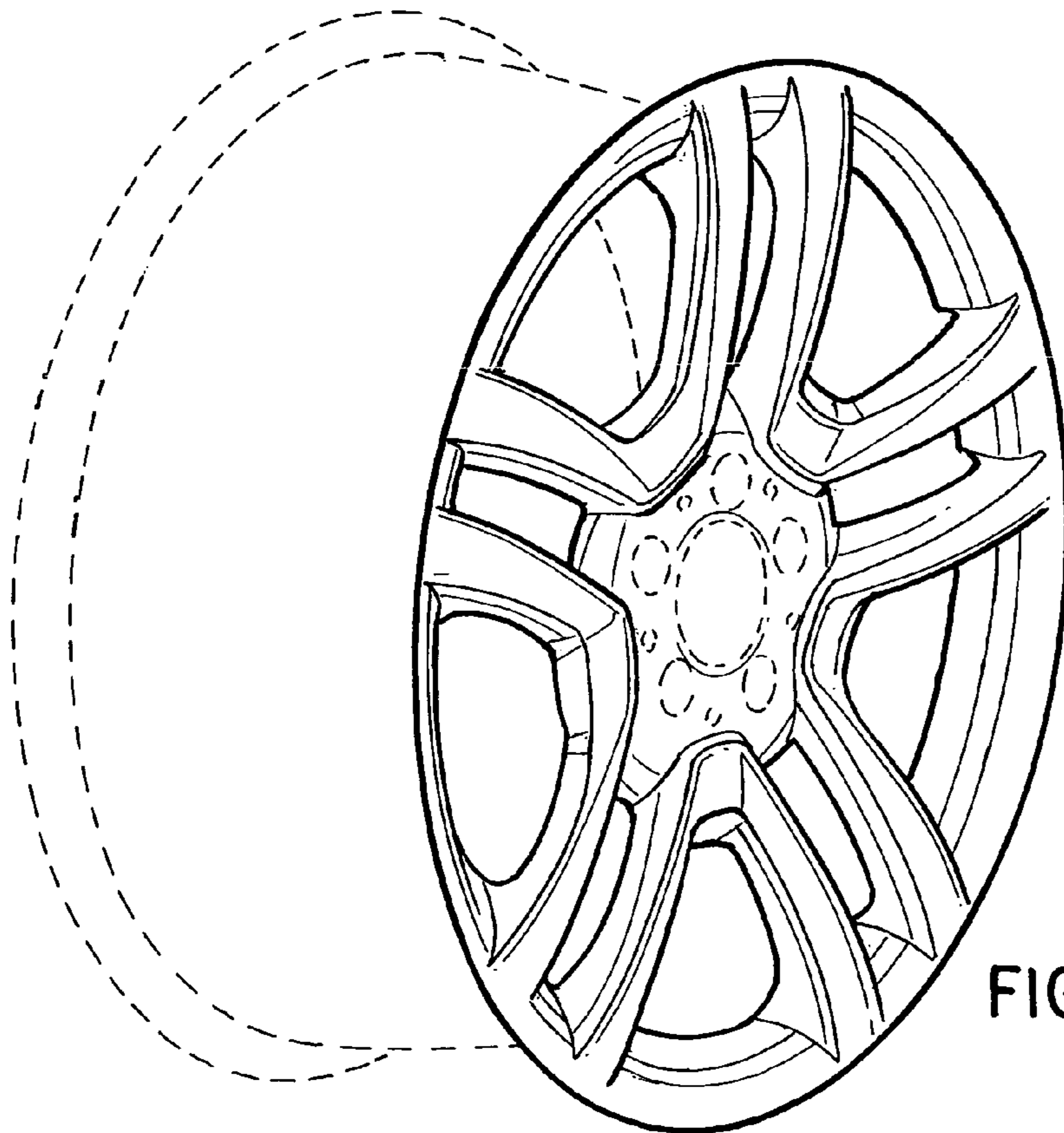


FIG. 2