



US00D621316S

(12) **United States Design Patent**
Tsukada

(10) **Patent No.:** **US D621,316 S**

(45) **Date of Patent:** **** Aug. 10, 2010**

(54) **METER FOR AUTOMOBILE**

(75) Inventor: **Yuuji Tsukada**, Saitama-ken (JP)

(73) Assignee: **Honda Motor Co., Ltd.**, Tokyo (JP)

(**) Term: **14 Years**

(21) Appl. No.: **29/261,732**

(22) Filed: **Jun. 20, 2006**

(30) **Foreign Application Priority Data**

Dec. 28, 2005 (JP) 2005-038787

(51) **LOC (9) Cl.** **12-16**

(52) **U.S. Cl.** **D12/192**

(58) **Field of Classification Search** D12/192,
D12/345, 312, 415; D10/46, 102, 98, 122-127,
D10/103, 49-51; D15/17, 28; 296/191,
296/190.01, 37.8; 362/482, 489; D23/354,
D23/387; 73/431, 866.3; 180/90; 280/752,
280/DIG. 5

See application file for complete search history.

(56) **References Cited**

U.S. PATENT DOCUMENTS

D375,477 S * 11/1996 Kulla et al. D12/192
D440,925 S * 4/2001 Pfeiffer D12/192
D483,309 S * 12/2003 Wyszogrod D12/192
D499,367 S * 12/2004 Sauter et al. D12/192
D505,101 S * 5/2005 Juraschek D12/192

D513,485 S * 1/2006 Pfeiffer D12/192
D514,041 S * 1/2006 Pfeiffer D12/192
D529,423 S * 10/2006 Yu et al. D12/192
D529,847 S * 10/2006 Montijo et al. D12/192
D531,557 S * 11/2006 Weideman D12/192
D542,721 S * 5/2007 Kraus D12/192
D546,744 S * 7/2007 Fukumoto et al. D12/192

* cited by examiner

Primary Examiner—Caron Veynar

Assistant Examiner—Abraham Bahta

(74) *Attorney, Agent, or Firm*—Arent Fox LLP

(57) **CLAIM**

The ornamental design for a meter for automobile, as shown and described.

DESCRIPTION

FIG. 1 is a perspective view from the front left side of a meter for automobile.

FIG. 2 is a perspective view from the front right side thereof.

FIG. 3 is a front elevation view thereof; and,

FIG. 4 is a reference view illustrating the nature and environmental use of the claimed design, the environmental subject matter is denoted in broken lines and forms no part of the claimed design.

The portion of the article shown in broken lines is for illustrative purpose only and forms no part of the claimed design.

1 Claim, 4 Drawing Sheets

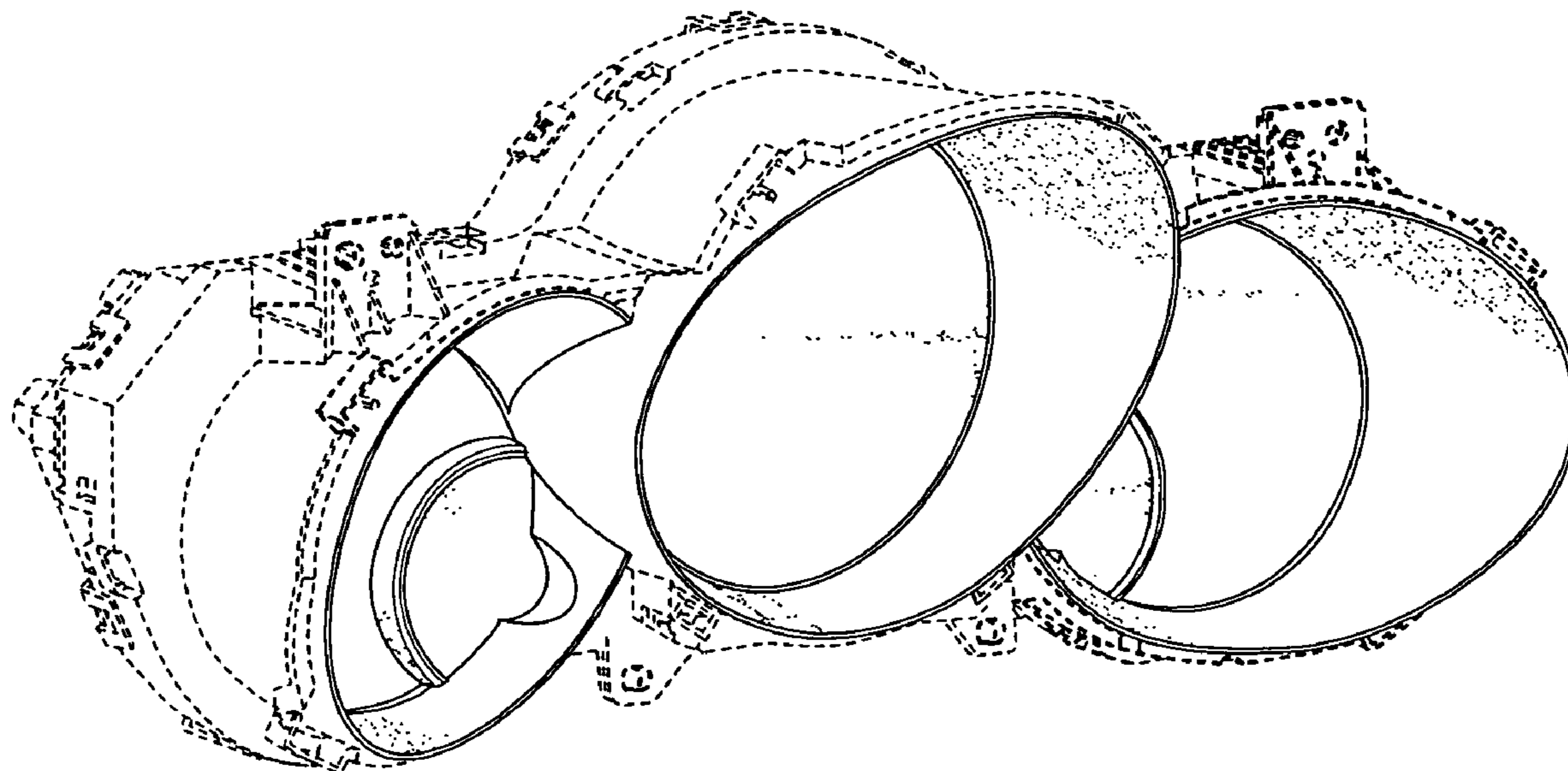


FIG. 1

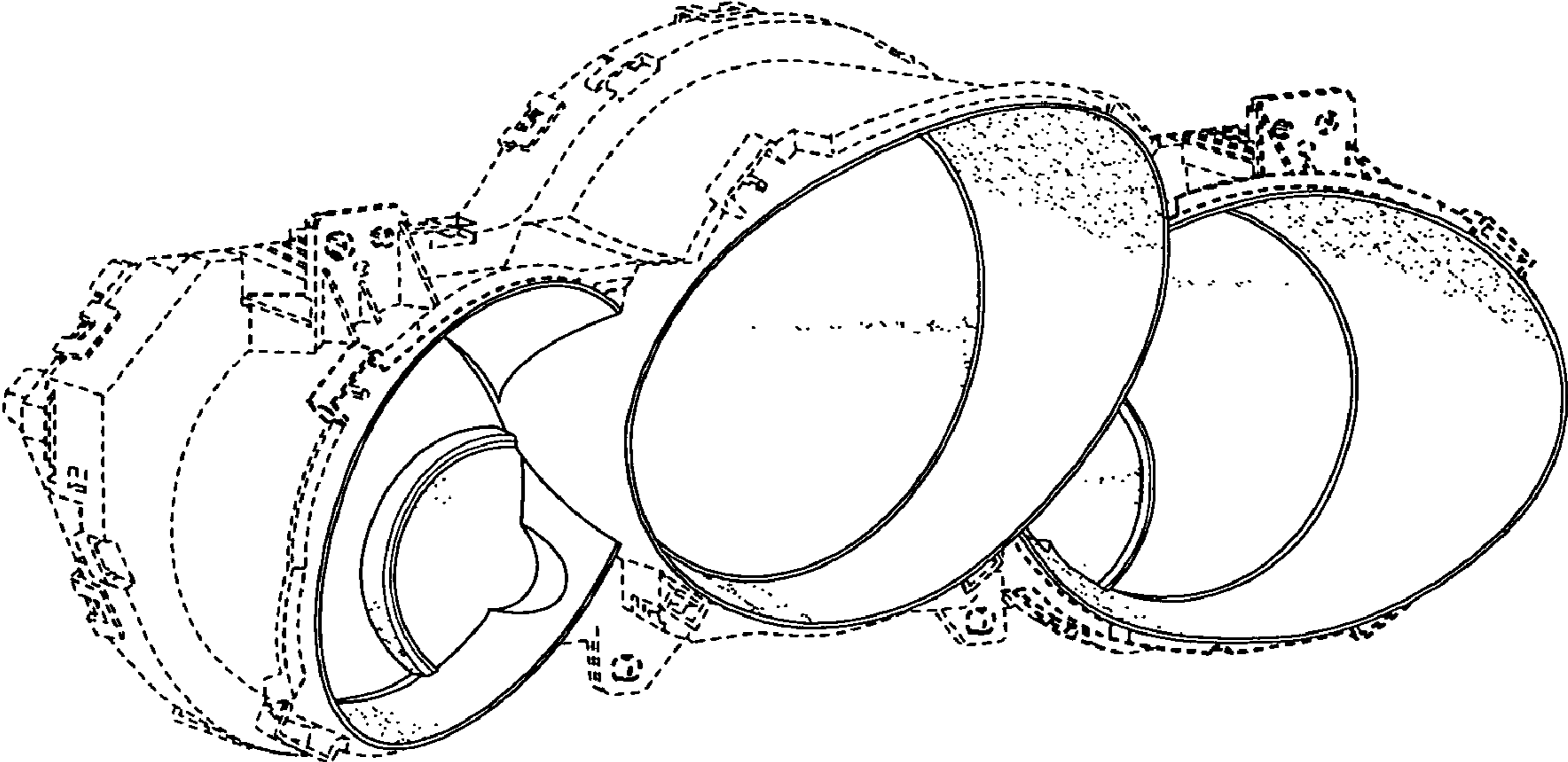


FIG. 2

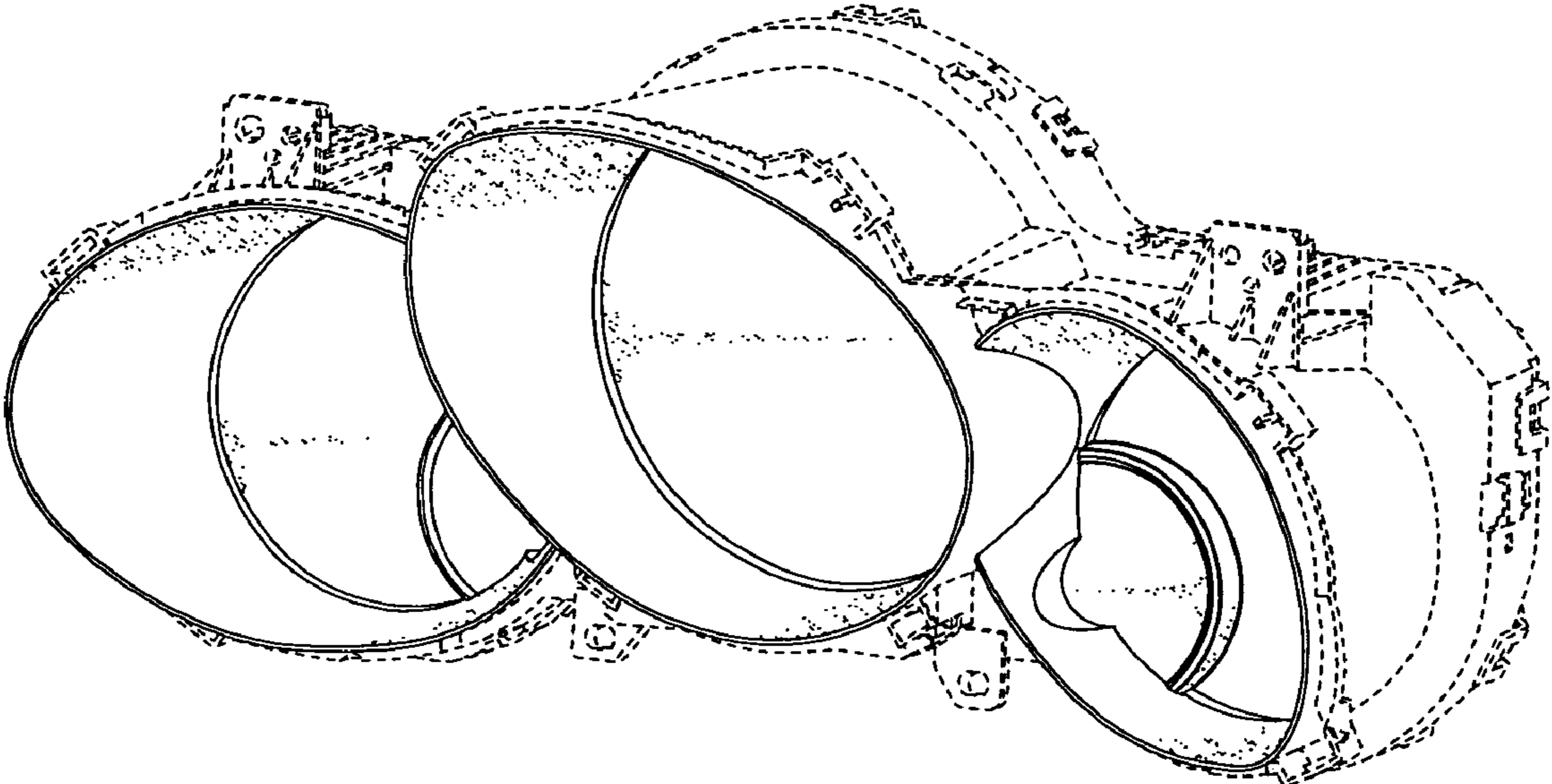


FIG. 3

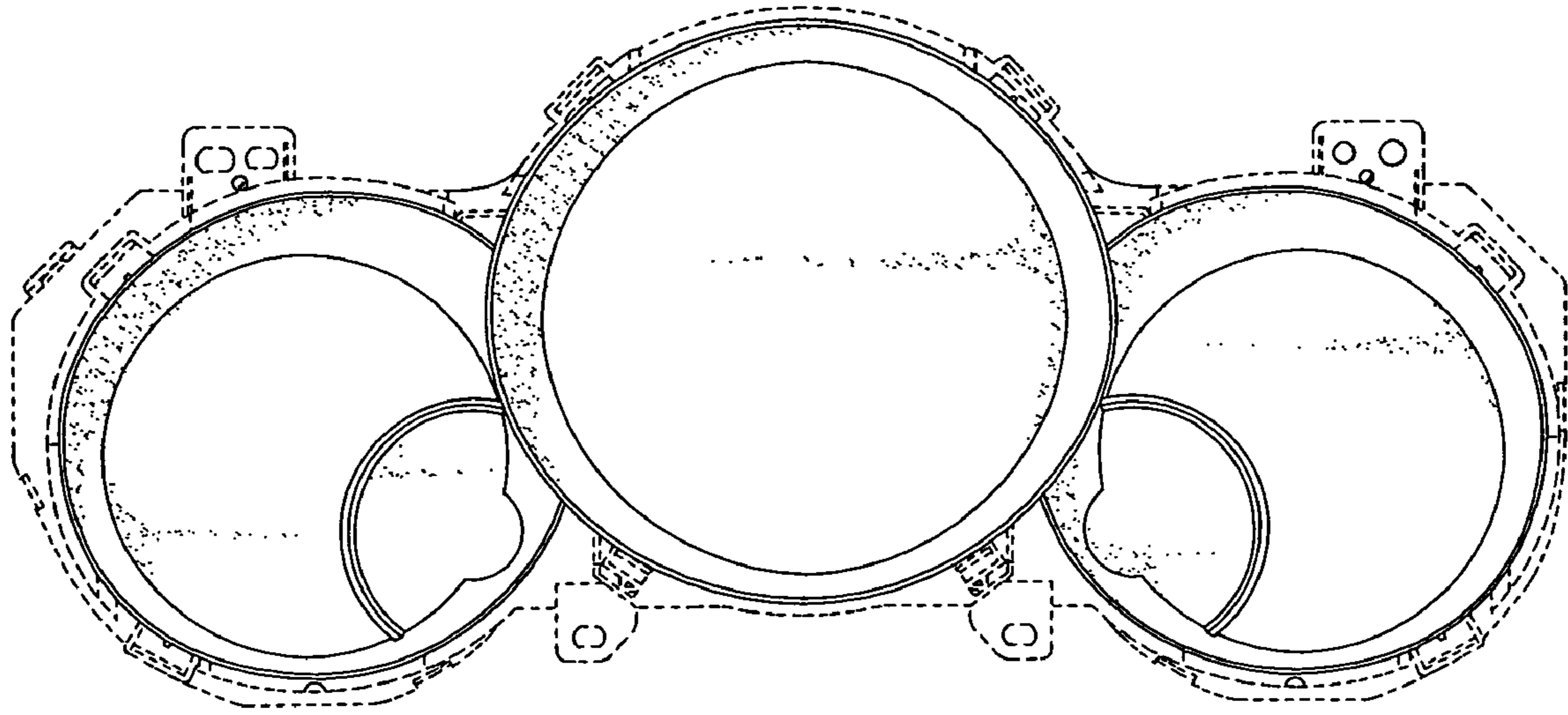


FIG. 4

