



US00D621315S

(12) **United States Design Patent**
Wu

(10) **Patent No.:** **US D621,315 S**

(45) **Date of Patent:** **** Aug. 10, 2010**

(54) **VEHICLE SIDE VIEW MIRROR COVER**

2009/0086346 A1* 4/2009 Henion 359/841
2009/0244744 A1* 10/2009 Okamoto et al. 359/872

(75) Inventor: **Hua-Chi Wu**, Tainan (TW)

* cited by examiner

(73) Assignee: **Coplus Inc.**, Tainan Hsien (TW)

Primary Examiner—Caron Veynar
Assistant Examiner—Katrina A Kile

(**) Term: **14 Years**

(74) *Attorney, Agent, or Firm*—Christie, Parker & Hale, LLP

(21) Appl. No.: **29/350,413**

(57) **CLAIM**

(22) Filed: **Nov. 16, 2009**

The ornamental design for a vehicle side view mirror cover, as shown and described.

(51) **LOC (9) Cl.** **12-16**

(52) **U.S. Cl.** **D12/187**

(58) **Field of Classification Search** D12/187,
D12/188–189, 96; D6/309, 300; 359/838,
359/841, 843, 844, 868, 871, 604, 881, 514,
359/866; 248/479–483, 475.1

See application file for complete search history.

DESCRIPTION

FIG. 1 is a perspective view of a vehicle side view mirror cover;

FIG. 2 is a front end view thereof;

FIG. 3 is a rear end view thereof;

FIG. 4 is a left side view thereof;

FIG. 5 is a right side view thereof;

FIG. 6 is a top view thereof; and,

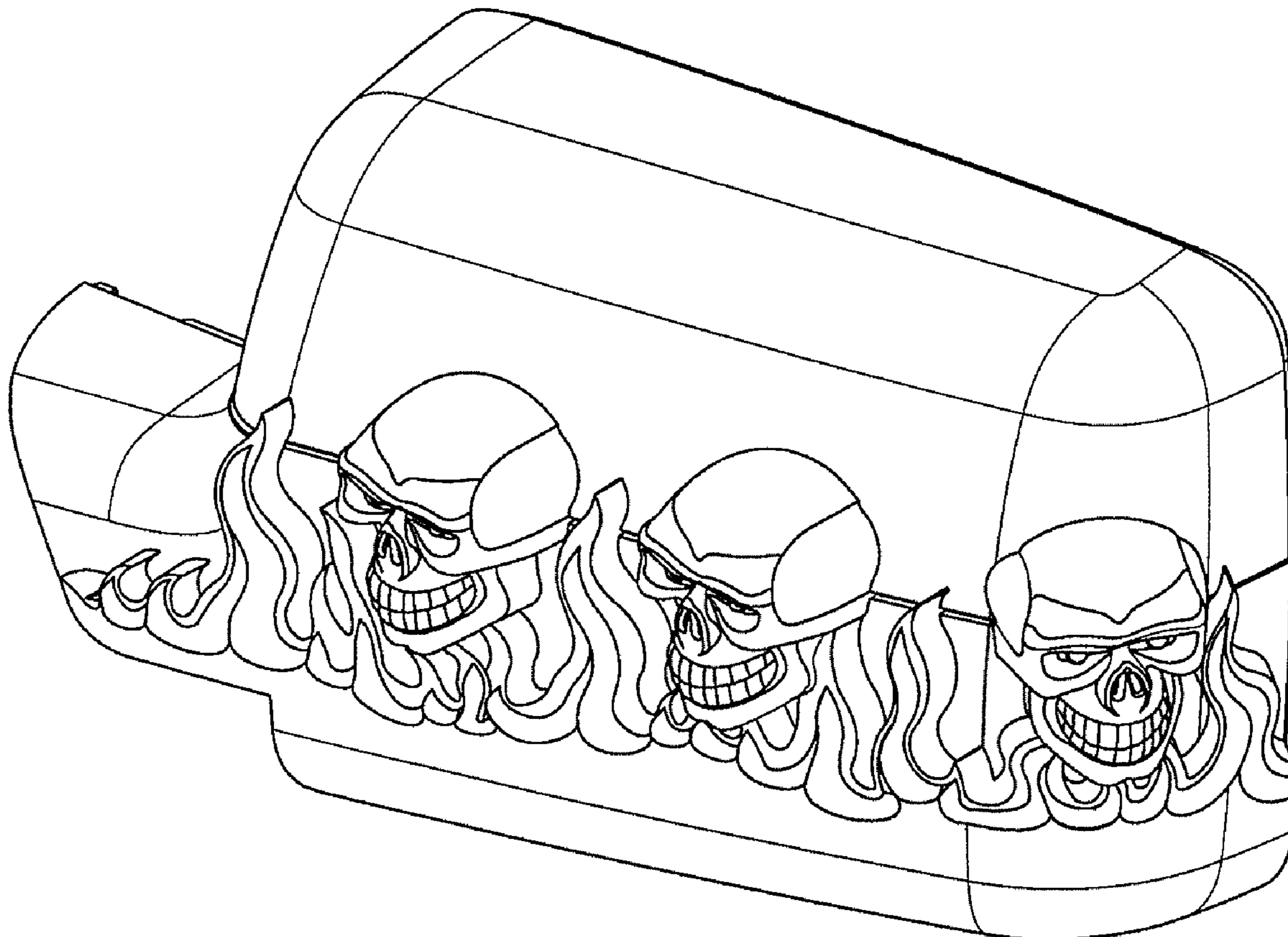
FIG. 7 is a bottom view thereof.

(56) **References Cited**

U.S. PATENT DOCUMENTS

D577,639 S *	9/2008	Choi et al.	D12/187
D603,774 S *	11/2009	Chen	D12/187
2002/0141085 A1 *	10/2002	Whitehead et al.	359/841
2008/0316627 A1 *	12/2008	Shinohara	359/871

1 Claim, 4 Drawing Sheets



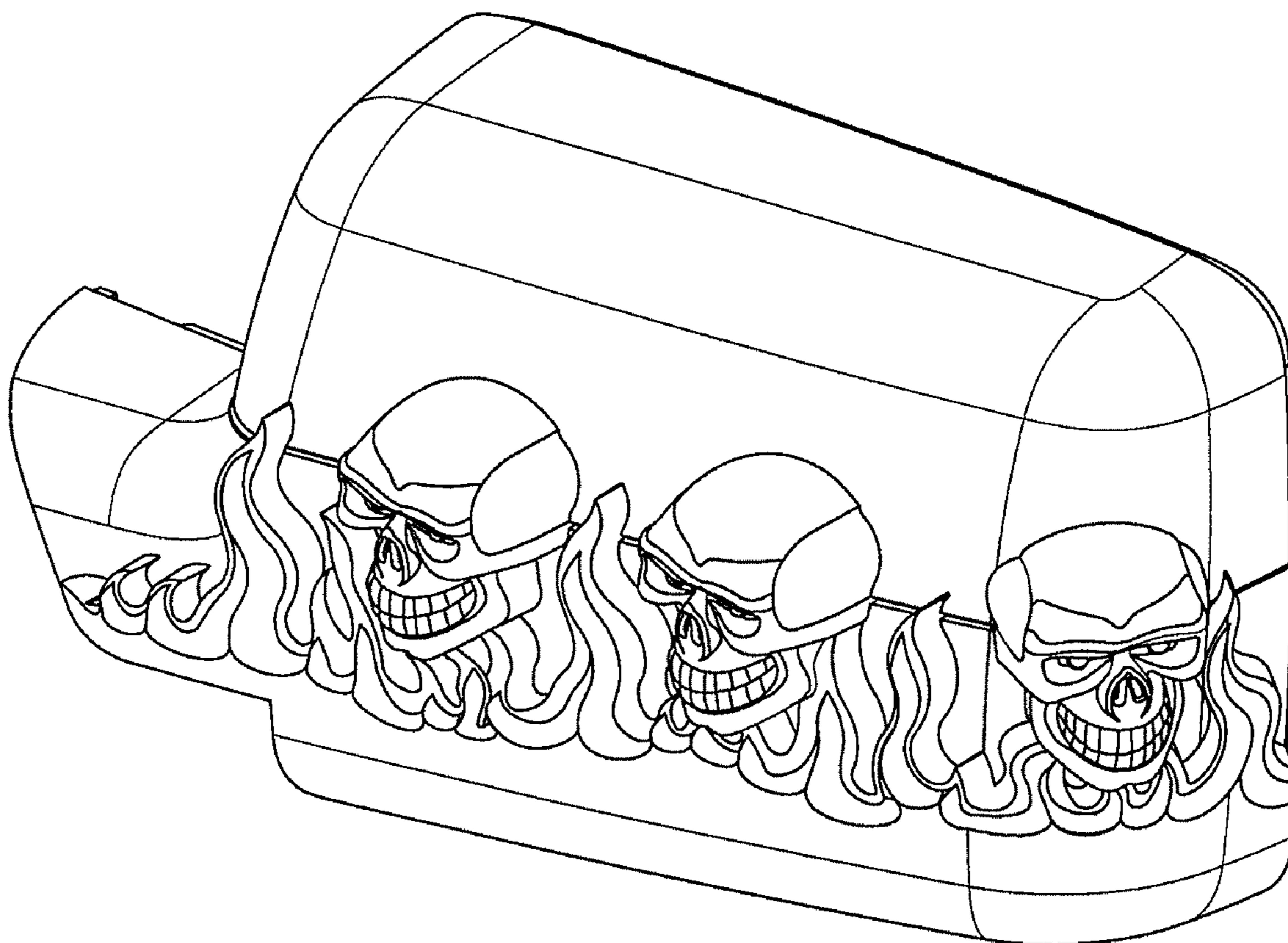


FIG. 1

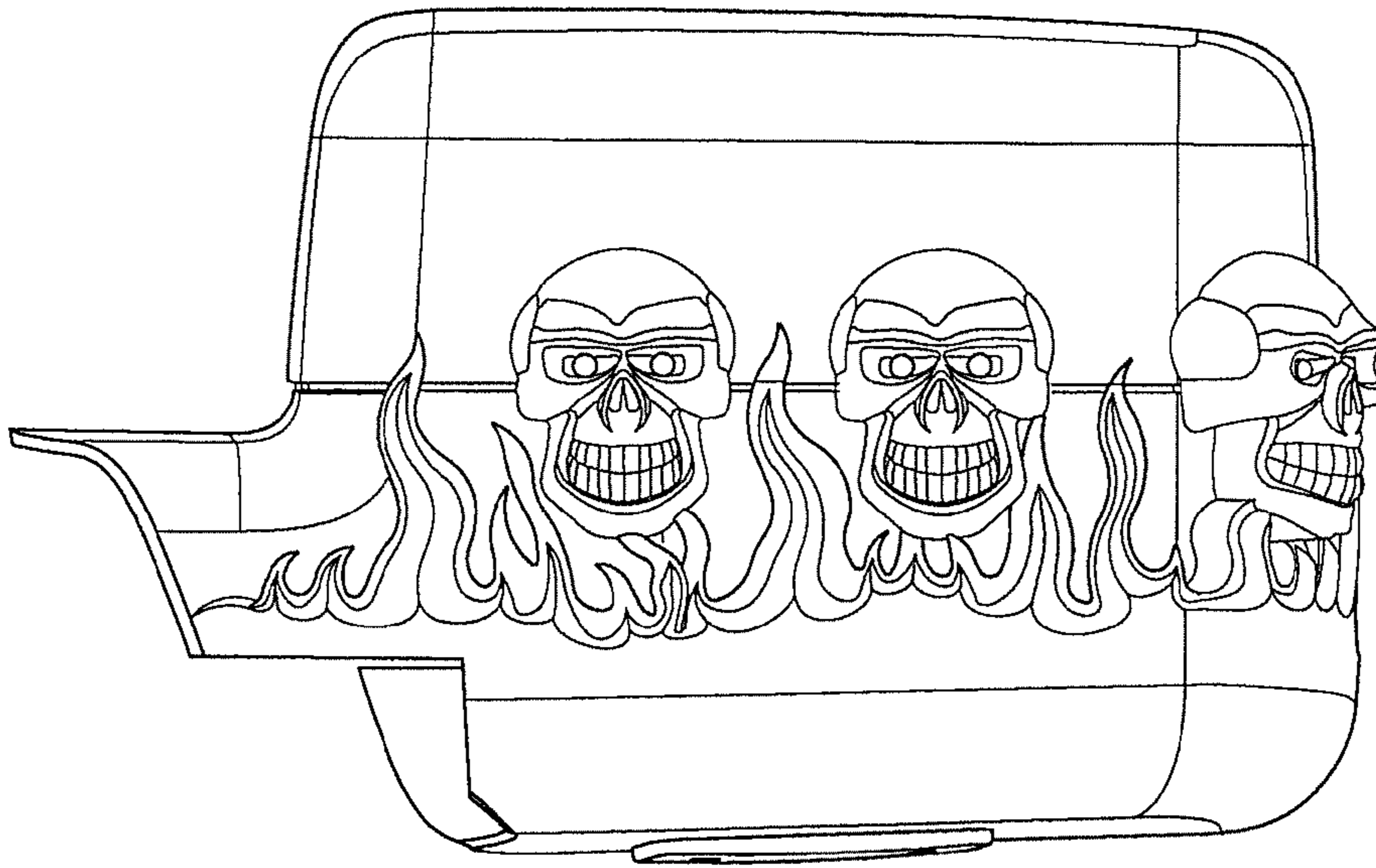


FIG. 2

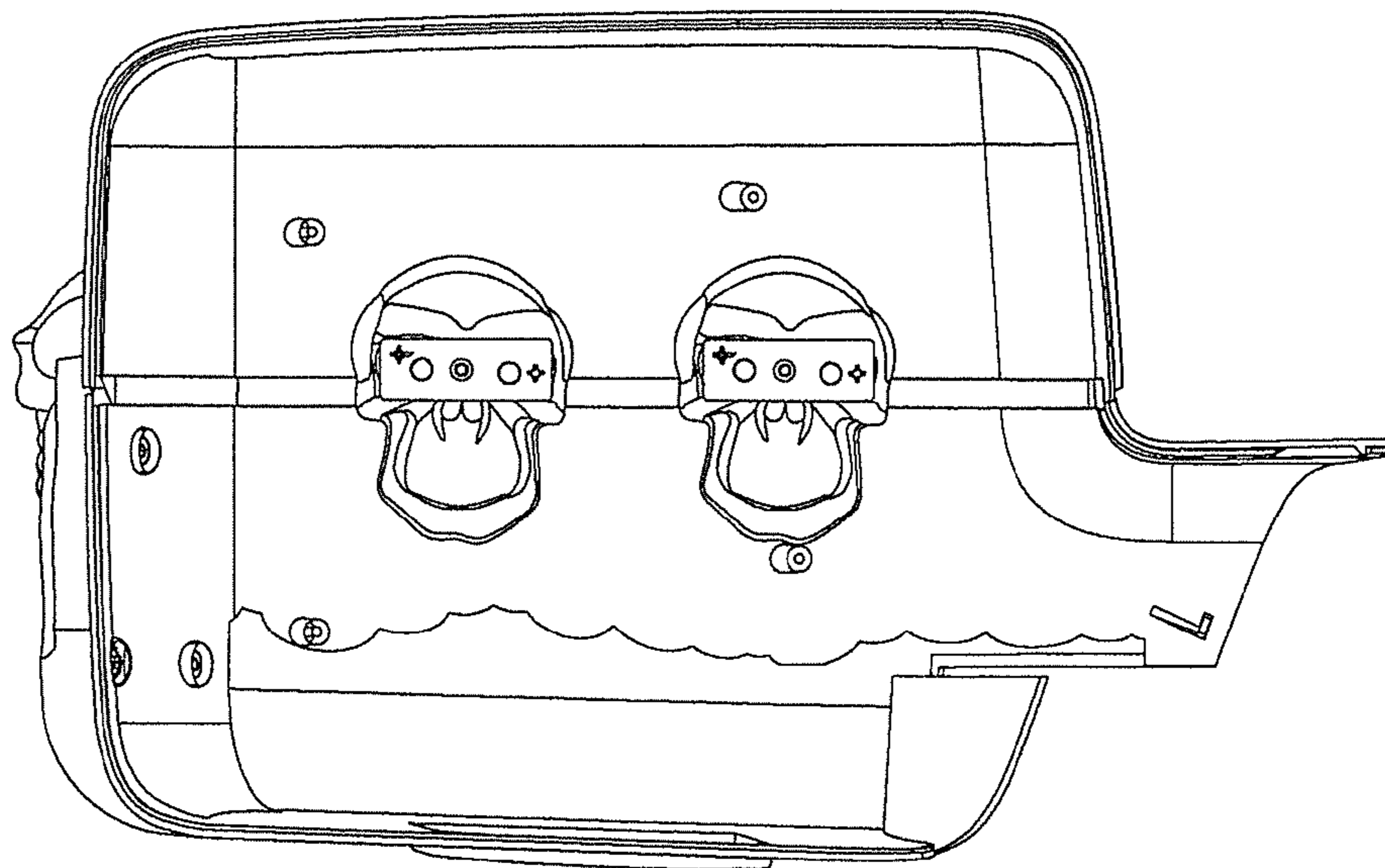


FIG. 3

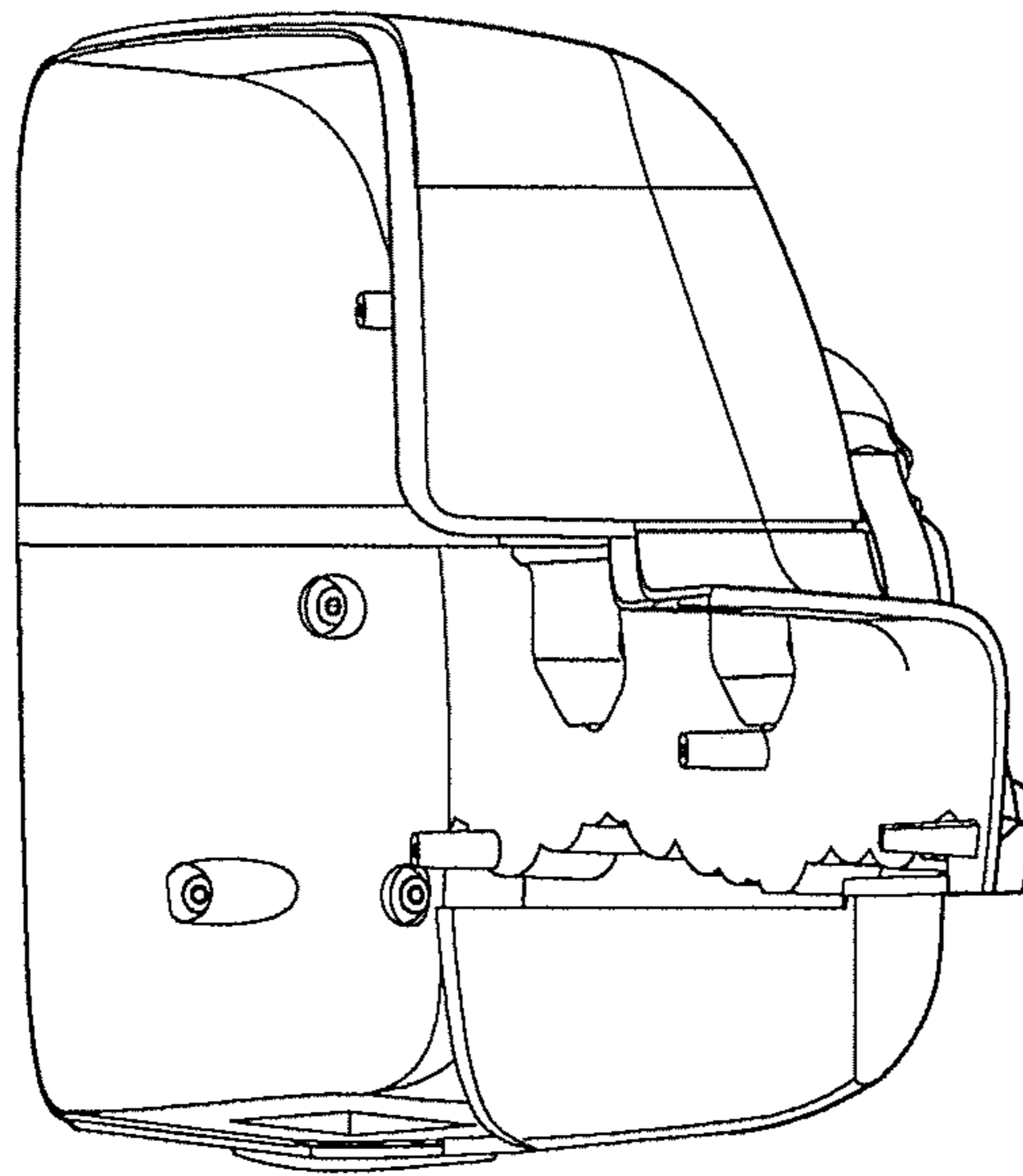


FIG. 4



FIG. 5

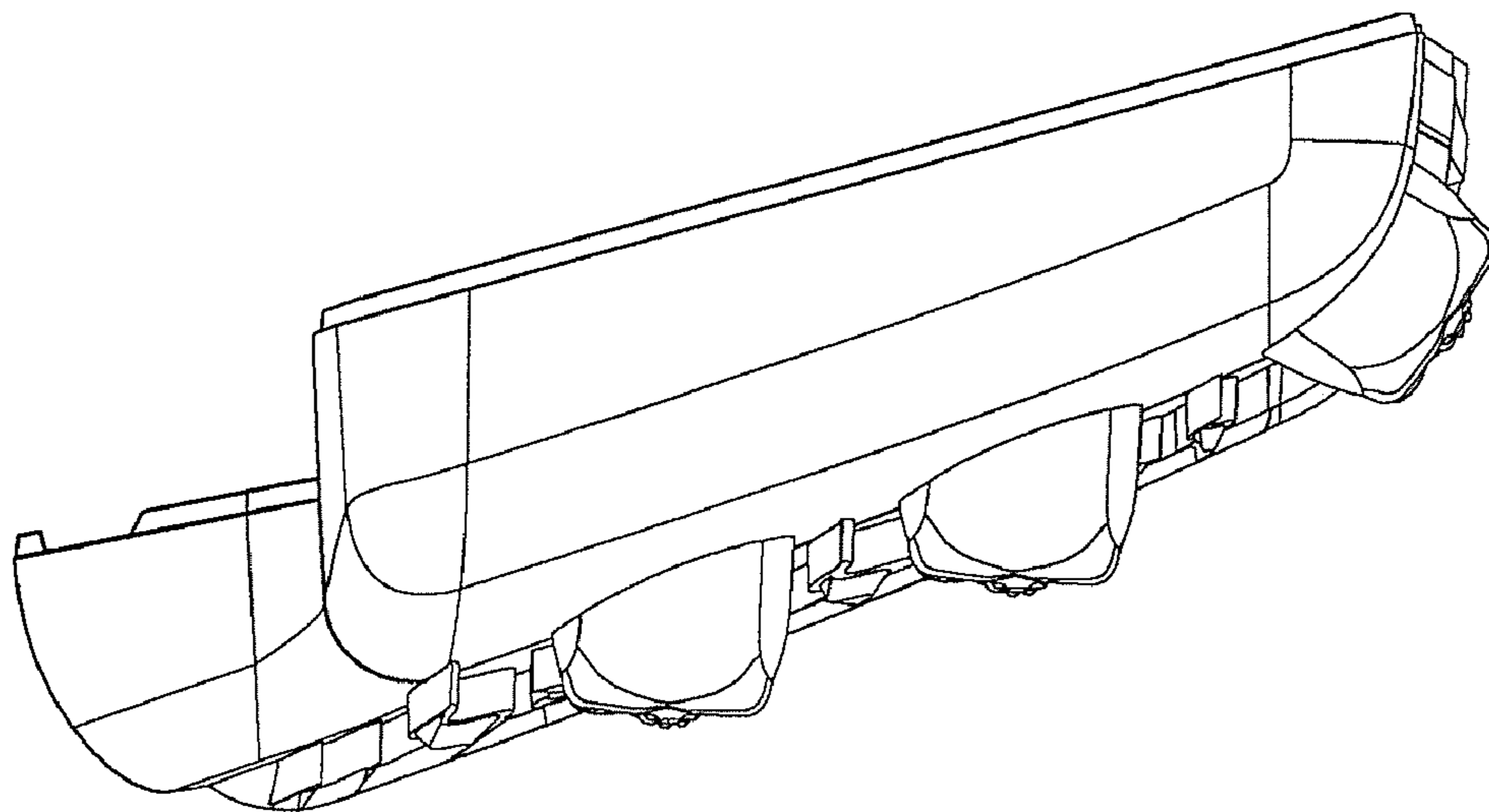


FIG. 6

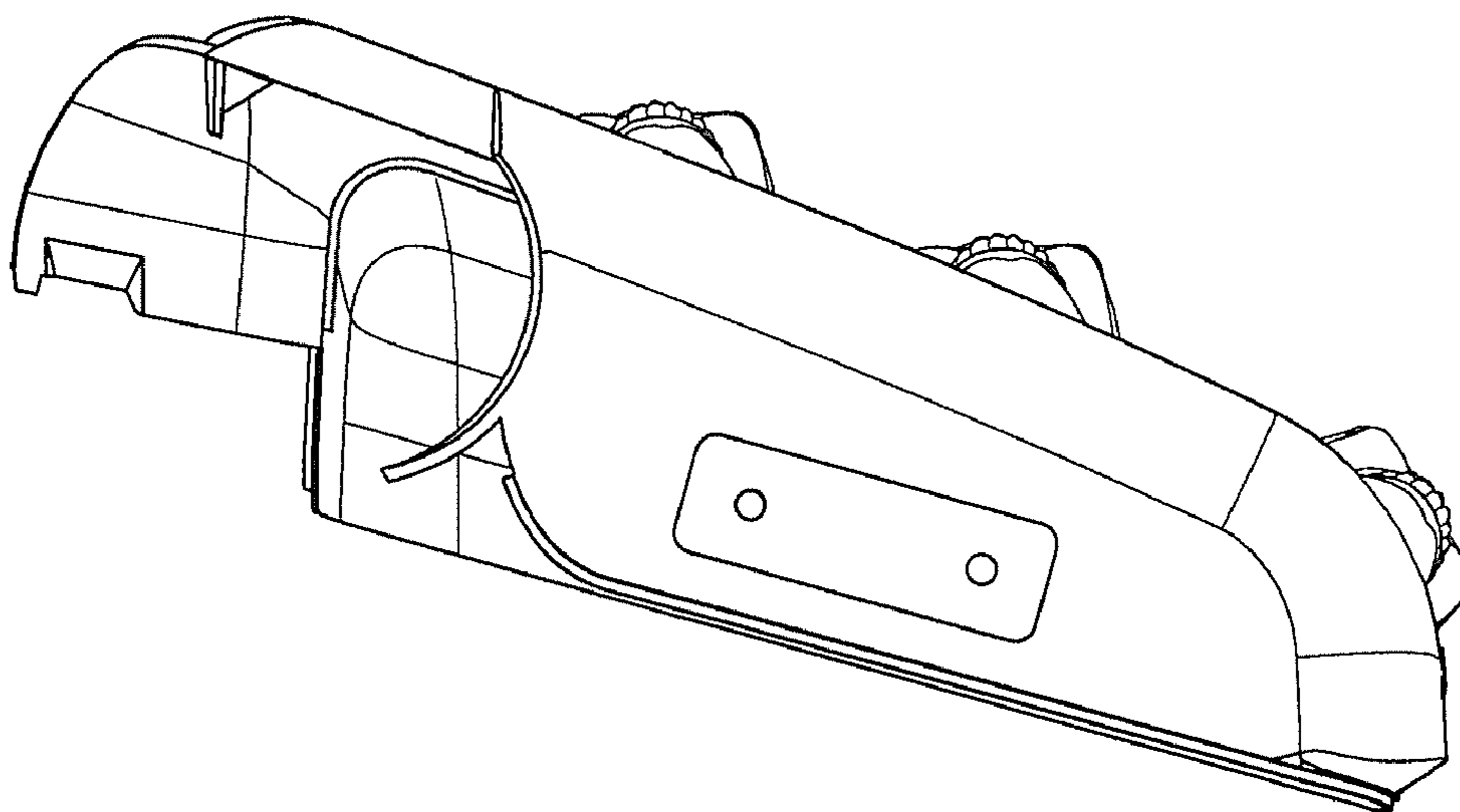


FIG. 7