



US00D621314S

(12) **United States Design Patent**  
**Williams**

(10) **Patent No.:** **US D621,314 S**

(45) **Date of Patent:** **\*\* Aug. 10, 2010**

(54) **INTERIOR REARVIEW MIRROR WITH REVERSE WARNING LIGHT**

(76) **Inventor:** **Roy C. Williams**, 18620 NW. 27th Ave., Apartment #307, Miami, FL (US) 33057

(\*\*) **Term:** **14 Years**

(21) **Appl. No.:** **29/346,910**

(22) **Filed:** **Nov. 9, 2009**

(51) **LOC (9) Cl.** ..... **12-16**

(52) **U.S. Cl.** ..... **D12/187**

(58) **Field of Classification Search** ..... D12/187, D12/188-189, 96; D6/309, 300; 359/838, 359/841, 843, 844, 868, 871, 604, 881, 514, 359/866; 248/479-483, 475.1

See application file for complete search history.

(56) **References Cited**

**U.S. PATENT DOCUMENTS**

D300,312 S	3/1989	Skogler et al.	
4,890,907 A	1/1990	Vu et al.	
5,133,141 A	7/1992	Bane	
5,499,169 A	3/1996	Chen	
2004/0062051 A1	4/2004	Hsu	
2004/0142675 A1	7/2004	Chen	
2004/0196661 A1	10/2004	Lynam	
2006/0132942 A1*	6/2006	Matney et al.	359/864

2006/0164230 A1*	7/2006	DeWind et al.	340/461
2008/0266389 A1*	10/2008	DeWind et al.	348/115
2009/0091489 A1*	4/2009	Banko et al.	342/20
2009/0225457 A1*	9/2009	Chuang	359/866
2009/0244740 A1*	10/2009	Takayanagi et al.	359/839

\* cited by examiner

*Primary Examiner*—Caron Veynar

*Assistant Examiner*—Katrina A Kile

(74) *Attorney, Agent, or Firm*—Crossley Patent Law; Mark A. Crossley

(57) **CLAIM**

The ornamental design for an interior rearview mirror with reverse warning light, as shown and described.

**DESCRIPTION**

FIG. 1 is a front elevation view of an interior rearview mirror with reverse warning light showing my new design;

FIG. 2 is a rear elevation view thereof;

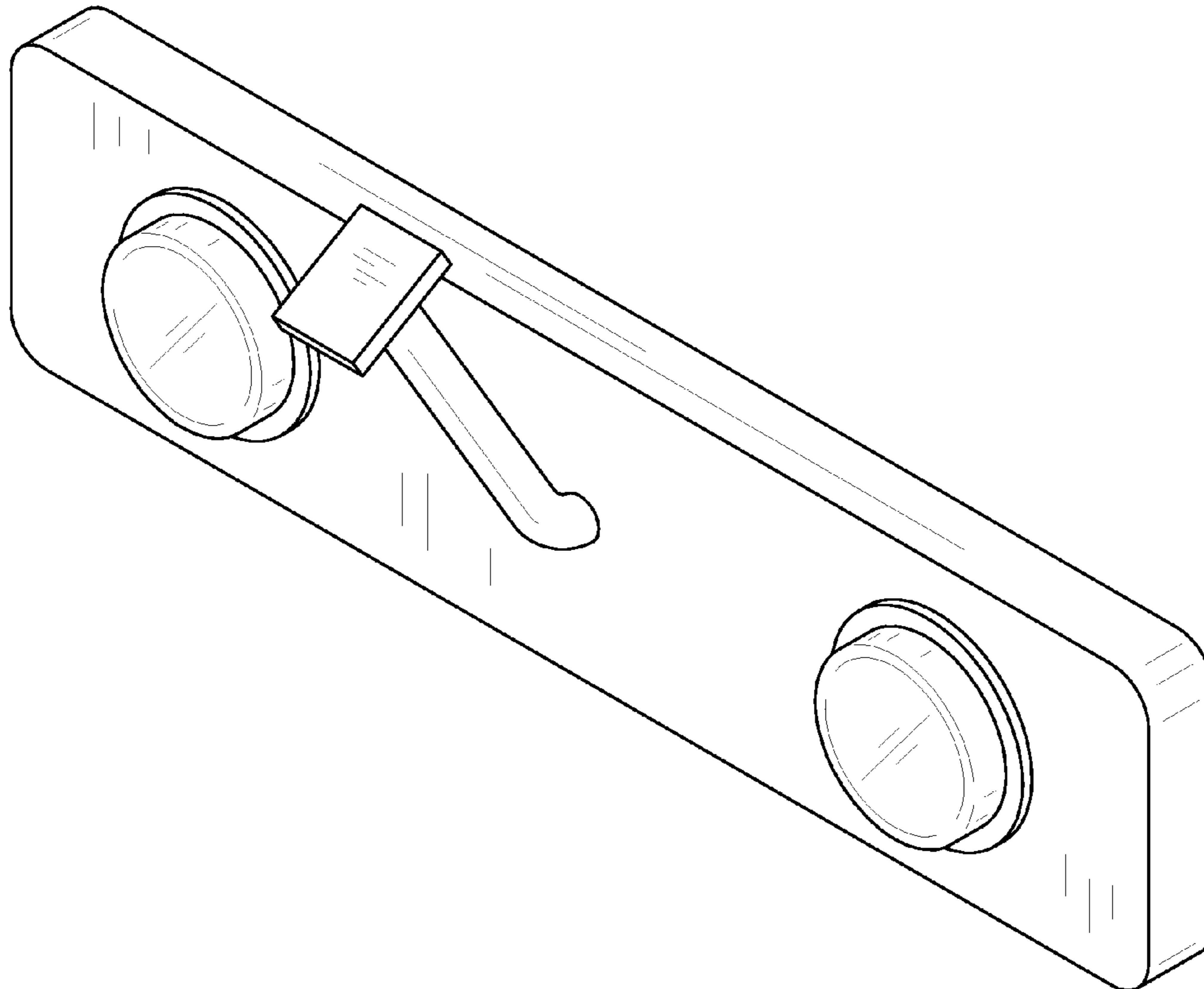
FIG. 3 is a right elevation view thereof, the opposite side being a mirror image of the shown;

FIG. 4 is a top plan view thereof;

FIG. 5 is a bottom plan view thereof; and,

FIG. 6 is an isometric view thereof.

**1 Claim, 3 Drawing Sheets**



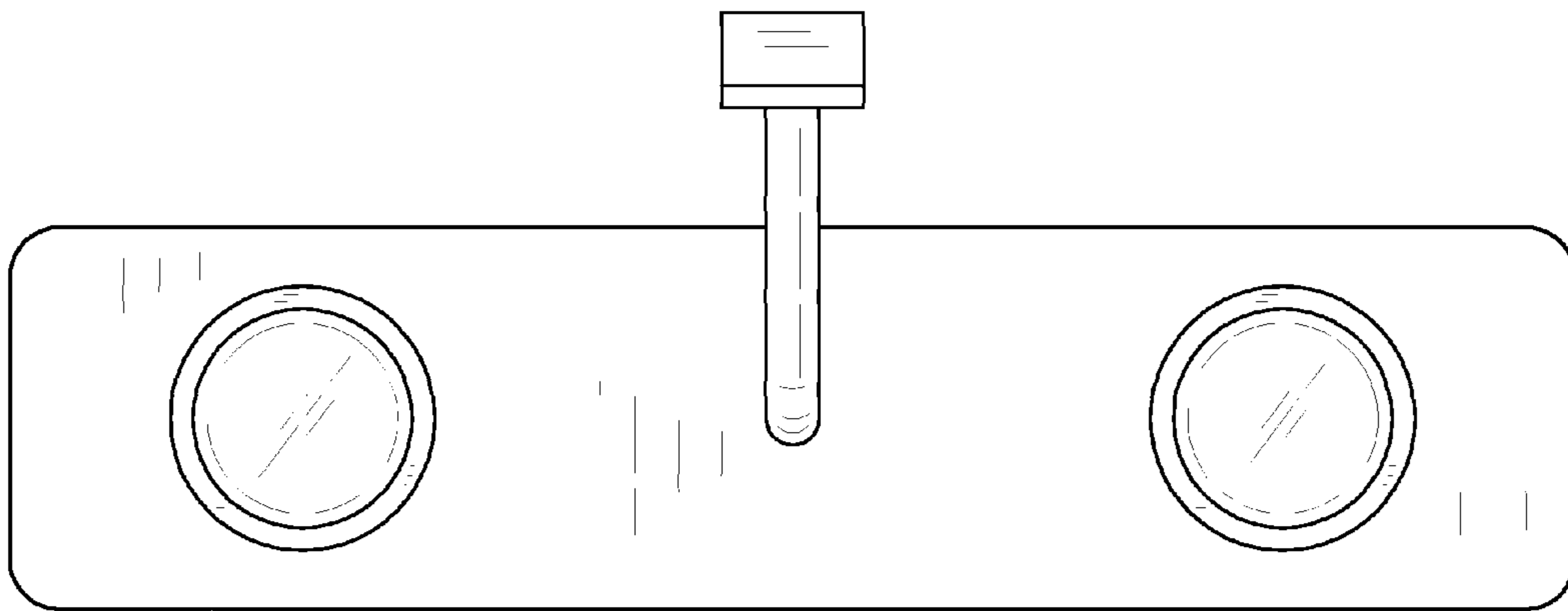


FIG. 1

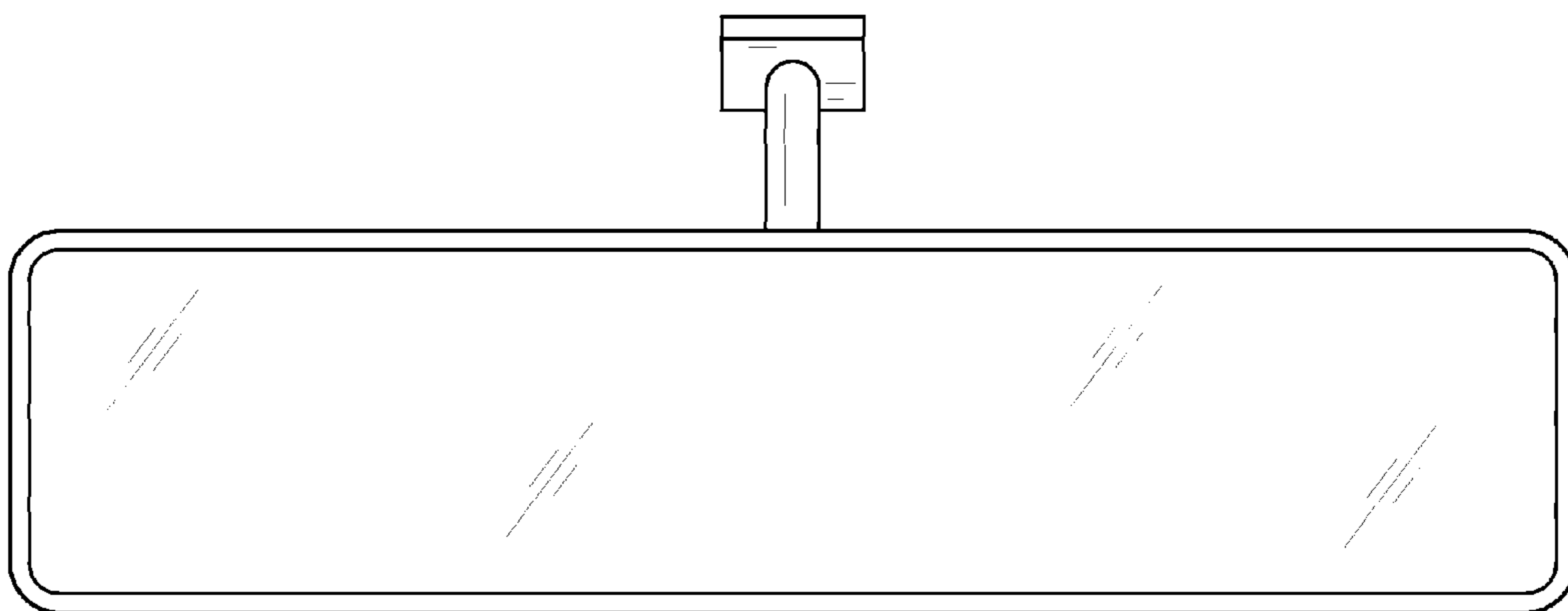


FIG. 2

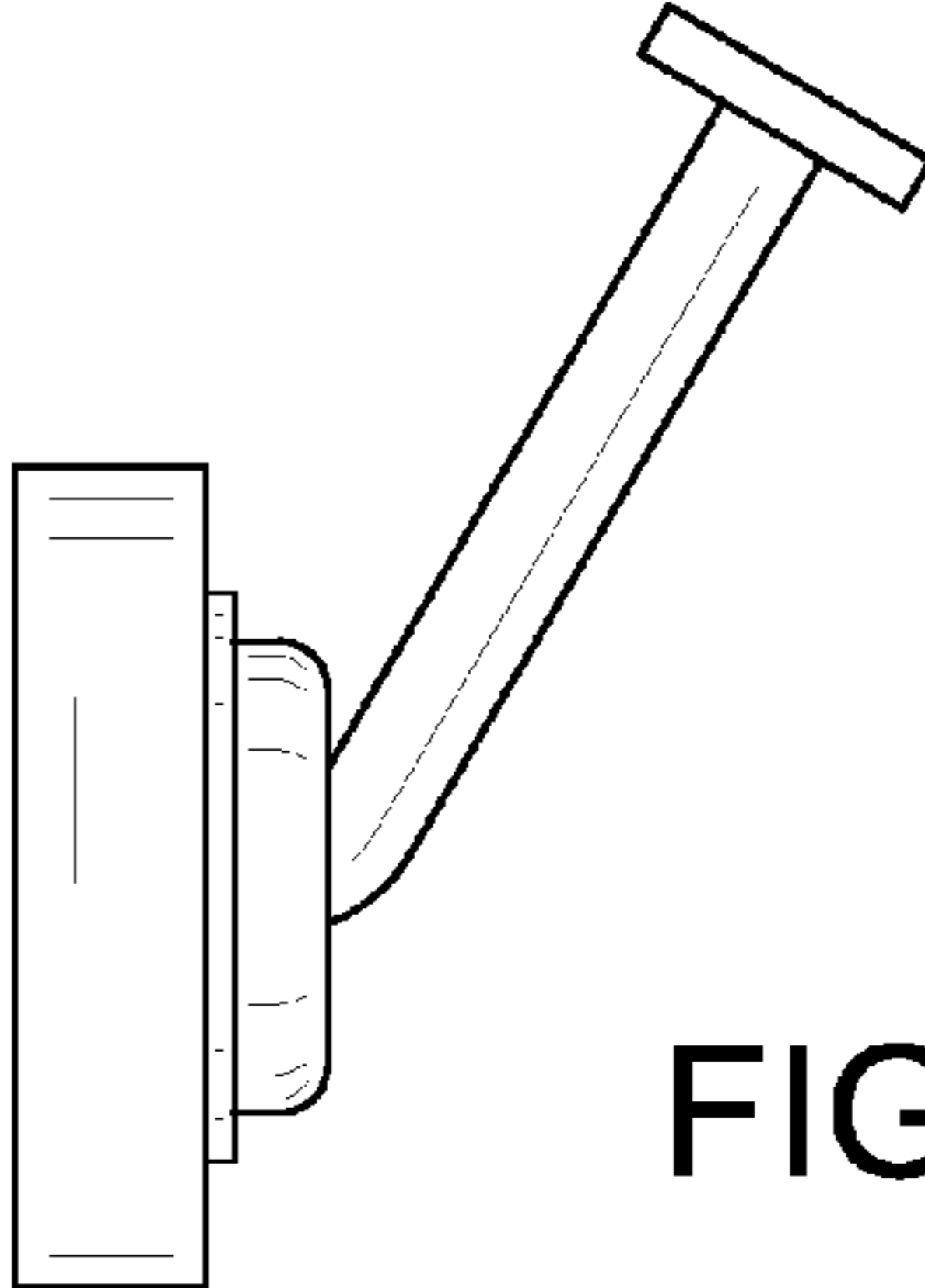


FIG. 3

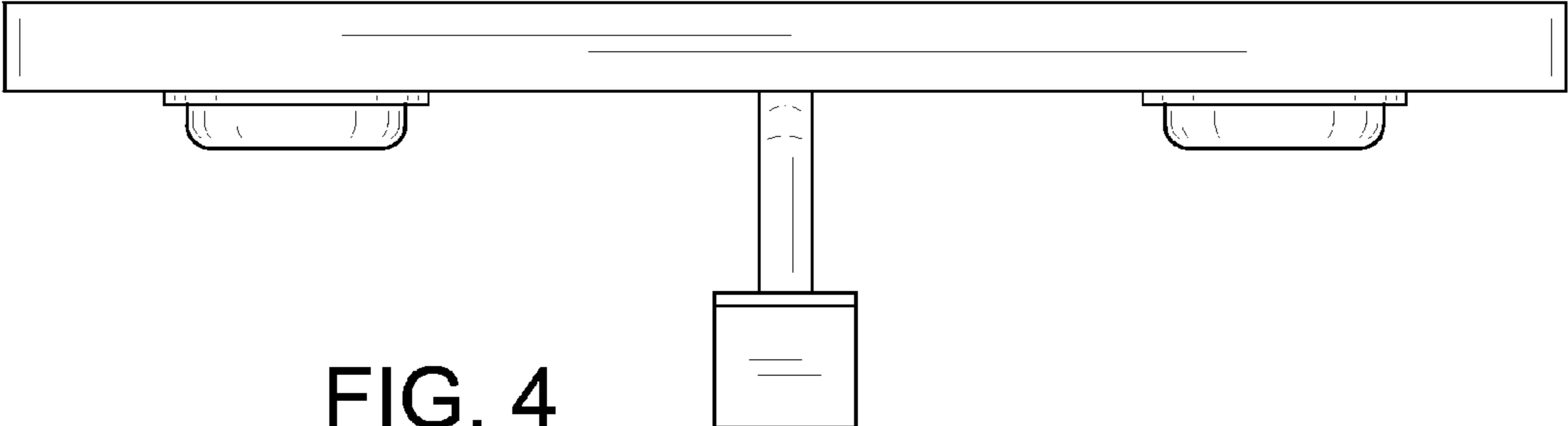


FIG. 4

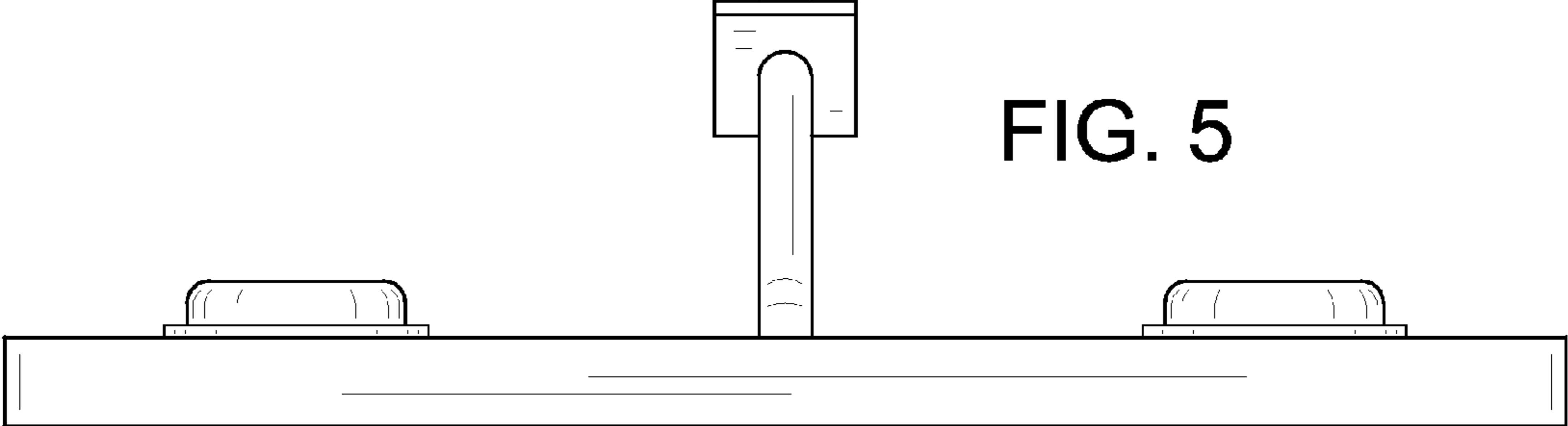


FIG. 5

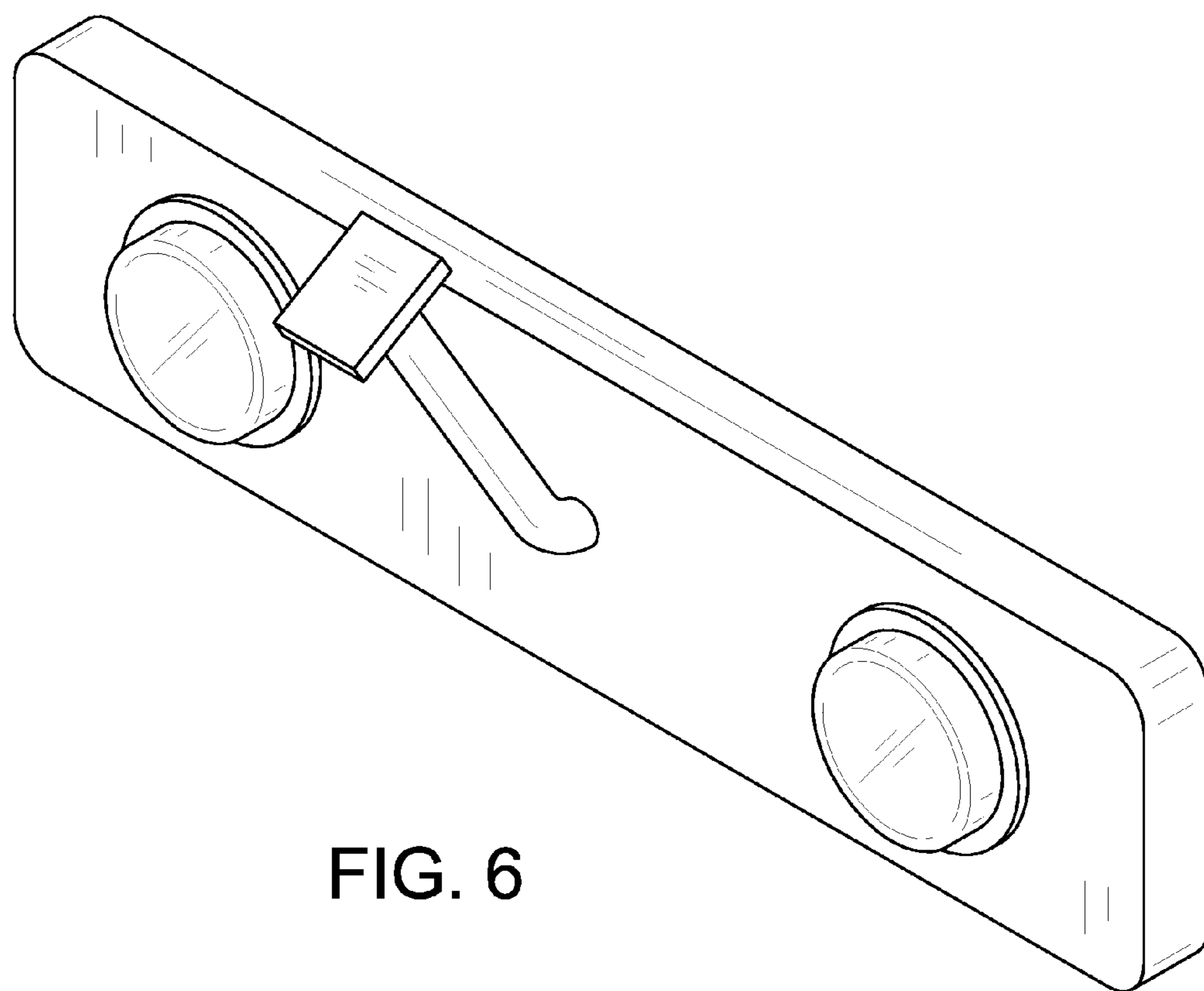


FIG. 6