



US00D621307S

(12) **United States Design Patent**  
**Kägi et al.**

(10) **Patent No.:** **US D621,307 S**

(45) **Date of Patent:** **\*\* \*Aug. 10, 2010**

(54) **WHEELCHAIR**

(75) Inventors: **Peter Kägi**, Fällanden (CH); **Oliver Kretschmer**, Sinsheim (DE)

(73) Assignee: **Otto Bock HealthCare IP GmbH & Co. KG**, Duderstadt (DE)

(\* ) Notice: This patent is subject to a terminal disclaimer.

(\*\* ) Term: **14 Years**

(21) Appl. No.: **29/318,863**

(22) Filed: **May 29, 2008**

(30) **Foreign Application Priority Data**

Dec. 4, 2007 (EM) ..... 000836564

(51) **LOC (9) Cl.** ..... **12-12**

(52) **U.S. Cl.** ..... **D12/131**

(58) **Field of Classification Search** ..... D12/128-133;  
296/65.03, 65.04; 224/409; 297/DIG. 4;  
280/62, 647-650, 29, 200, 47.38, 250.1,  
280/259, 642, 658

See application file for complete search history.

(56) **References Cited**

**U.S. PATENT DOCUMENTS**

D413,554 S \* 9/1999 Schlangen ..... D12/131

D443,563 S \* 6/2001 Johnson ..... D12/131  
D491,494 S \* 6/2004 Lippert ..... D12/128  
D494,110 S \* 8/2004 Cheng ..... D12/131  
D523,788 S \* 6/2006 Jones et al. .... D12/131

**OTHER PUBLICATIONS**

C1000 Advertising Brochure, Feb. 2003, Germany; pp. 1-55.  
Product Brochure: "C 1000", presented Oct. 23-26, 2002, 2 pages.

\* cited by examiner

*Primary Examiner*—Ian Simmons

*Assistant Examiner*—Charles D Hanson

(74) *Attorney, Agent, or Firm*—Faegre & Benson, LLP

(57) **CLAIM**

The ornamental design for a wheelchair, as shown and described.

**DESCRIPTION**

FIG. 1 is a left side view of a wheelchair showing our new design;

FIG. 2 is a right side view thereof;

FIG. 3 is a perspective view thereof;

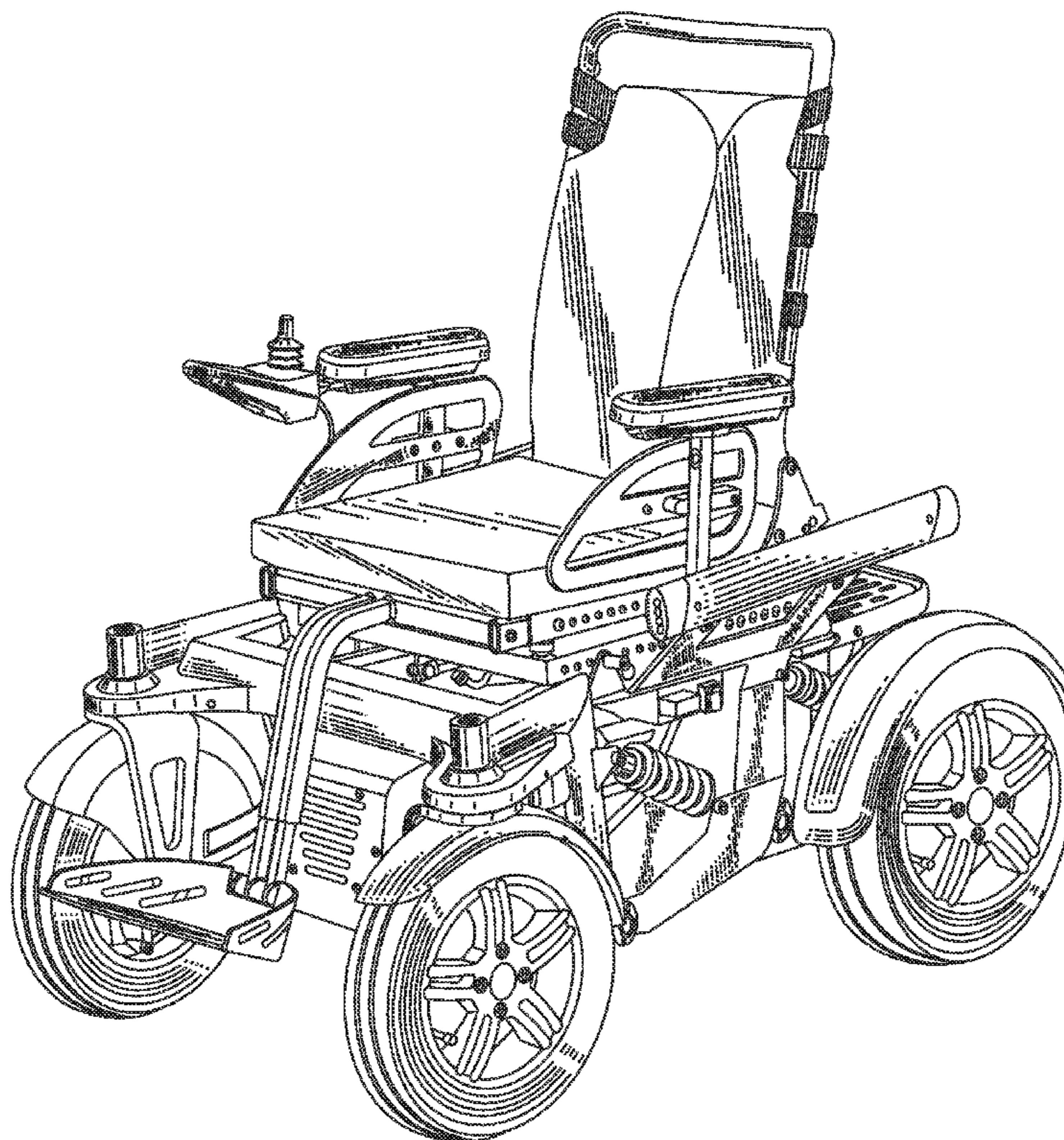
FIG. 4 is a front view thereof;

FIG. 5 is a rear view thereof;

FIG. 6 is a bottom view thereof; and,

FIG. 7 is a top view thereof.

**1 Claim, 7 Drawing Sheets**



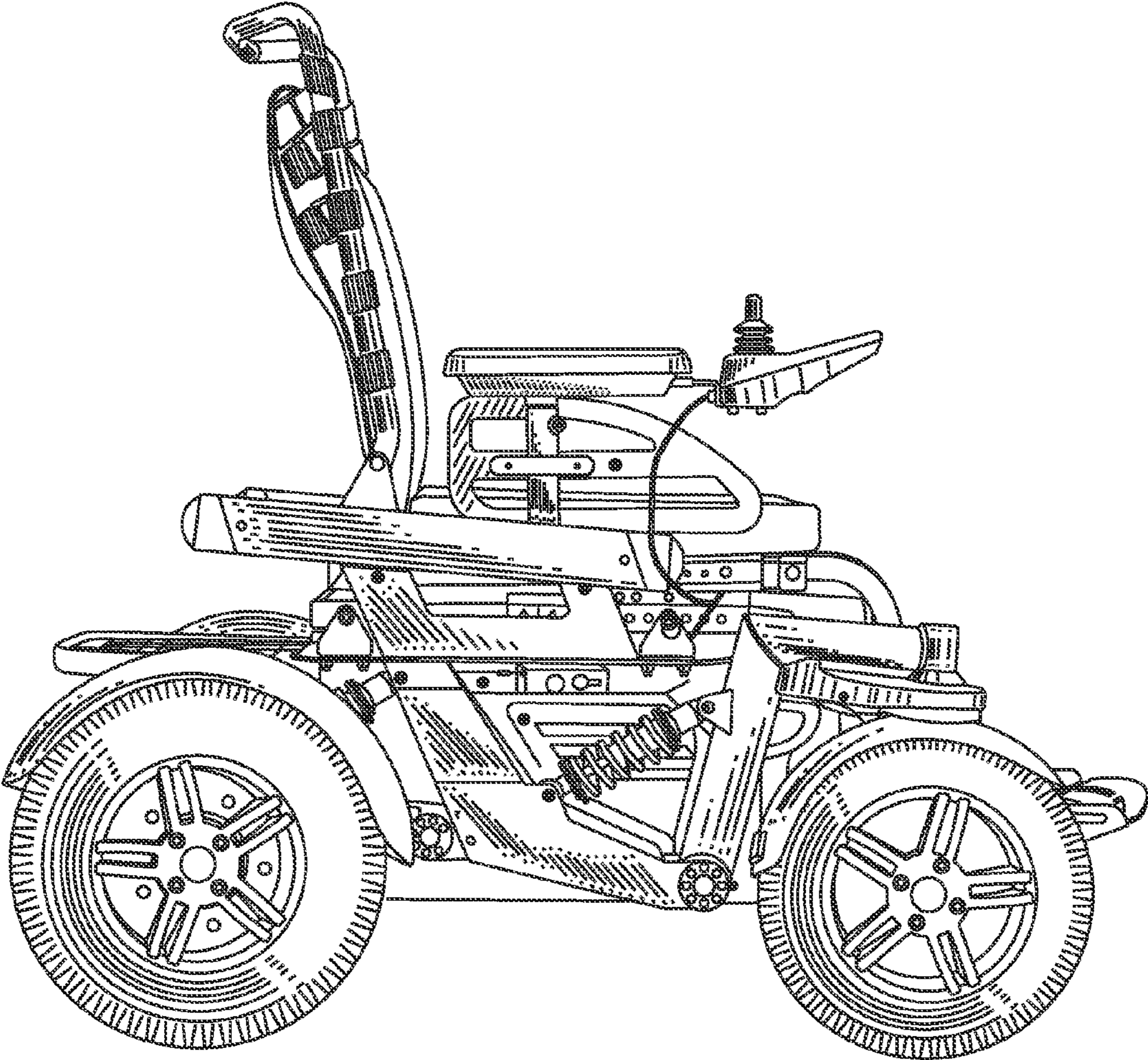


Fig. 1

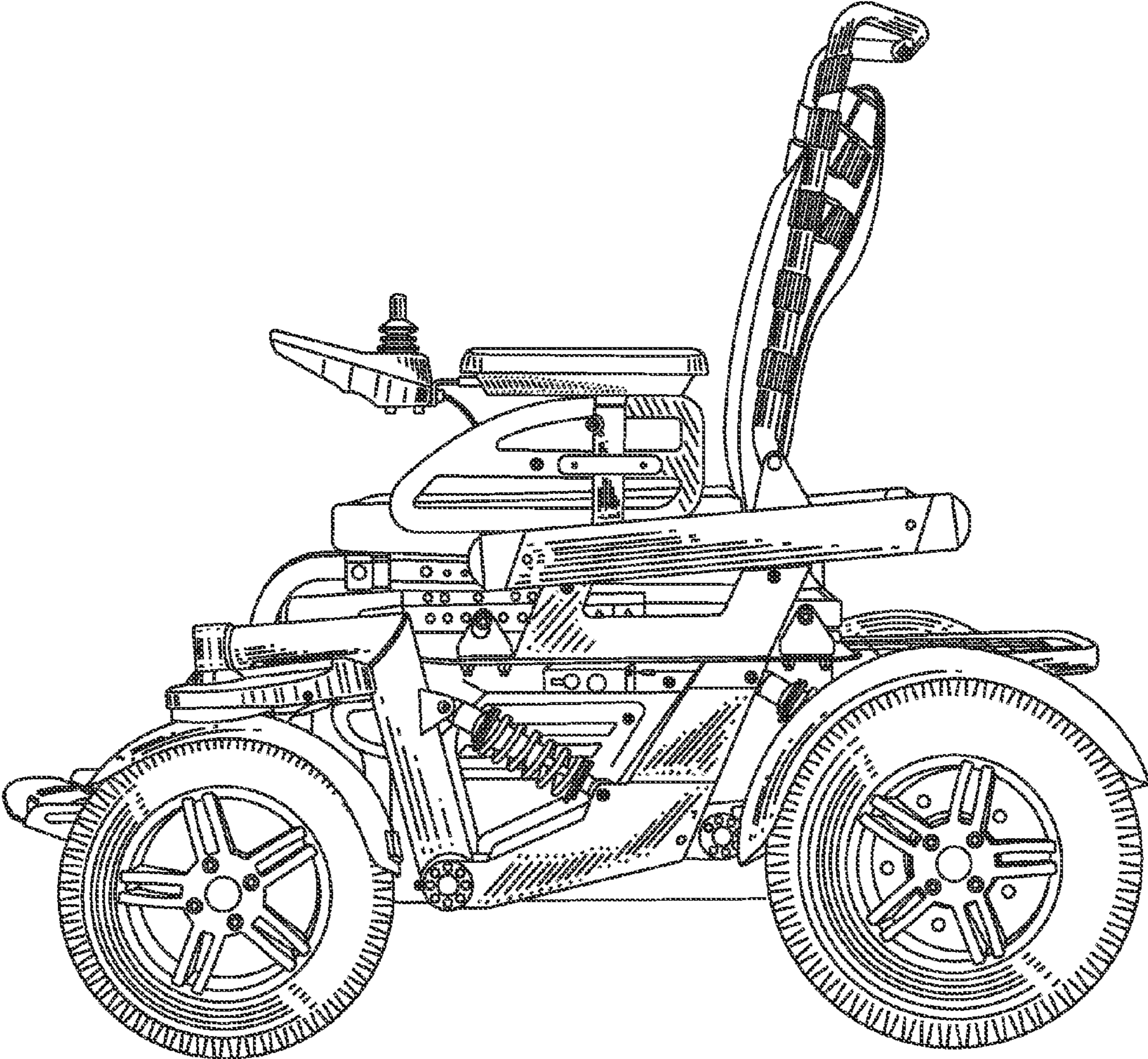


Fig. 2

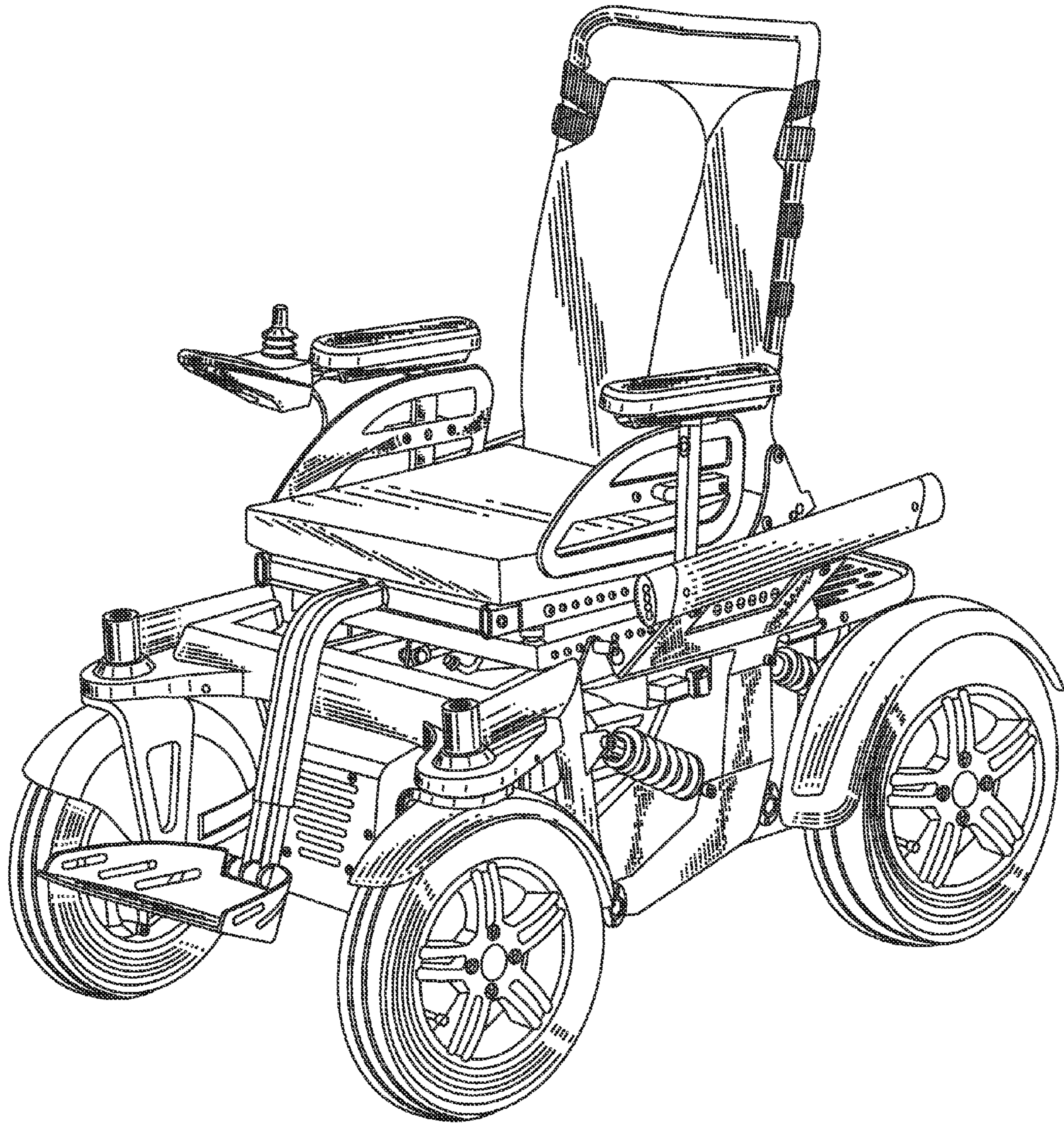


Fig. 3

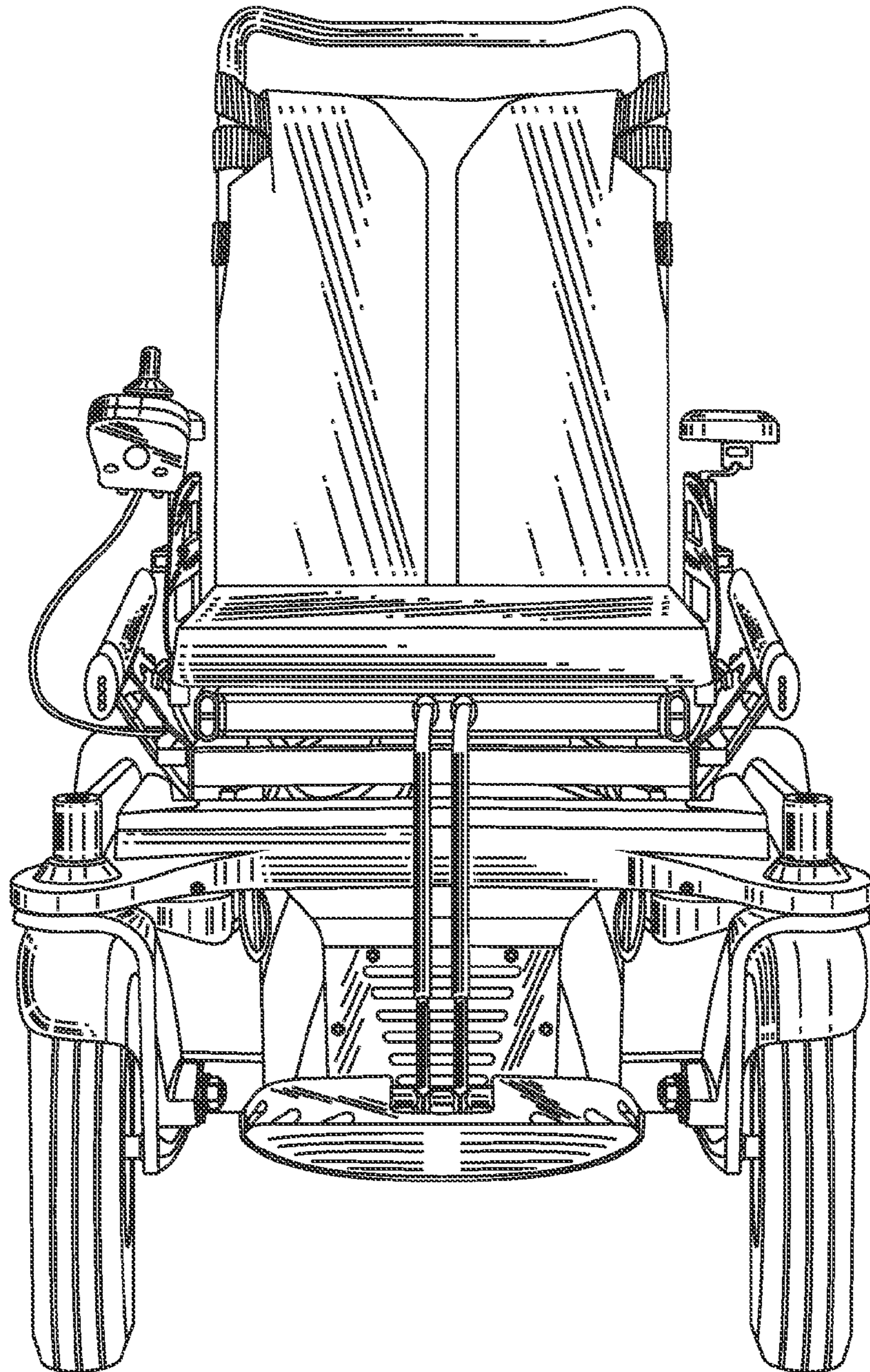


Fig. 4

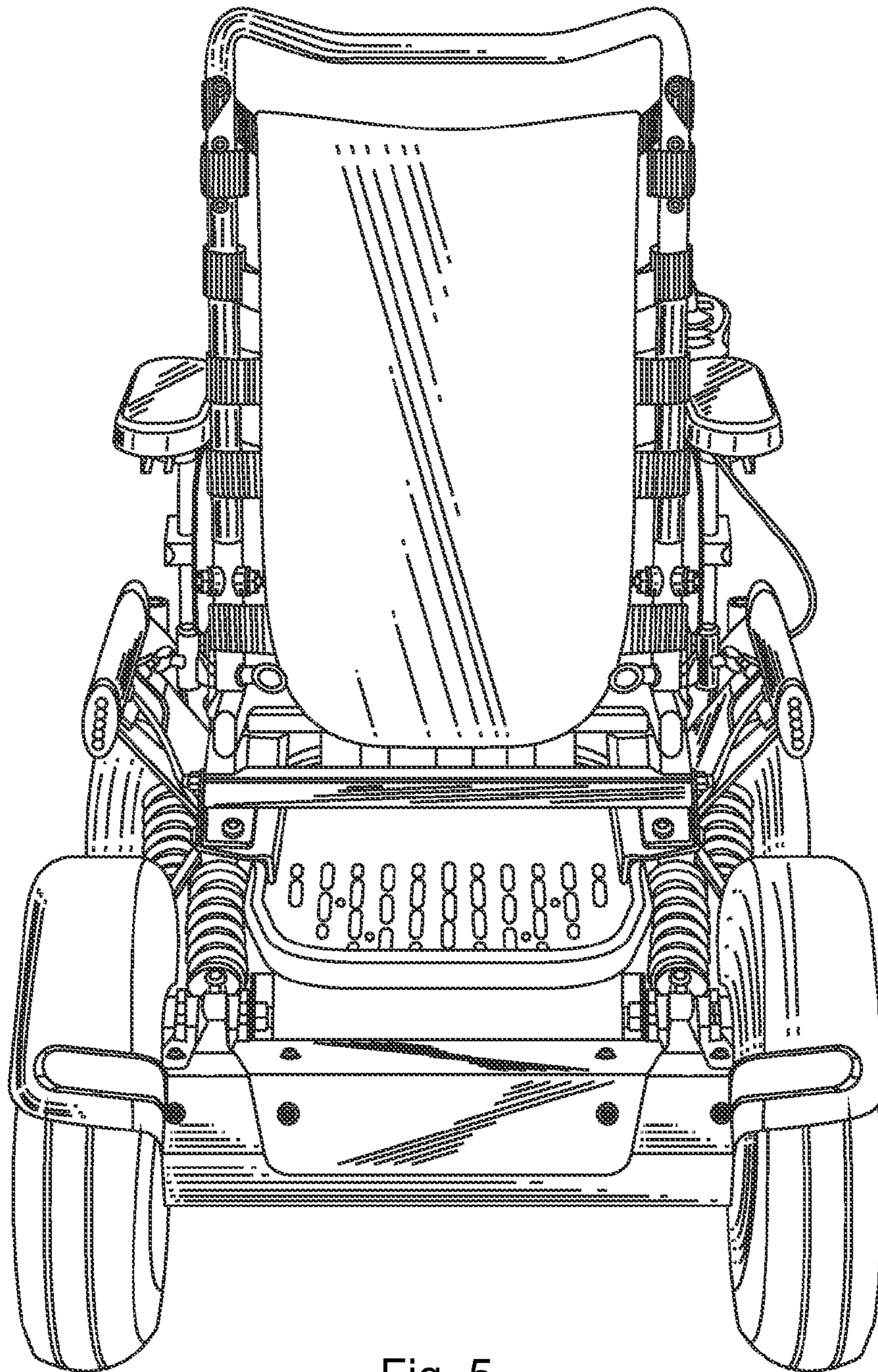


Fig. 5

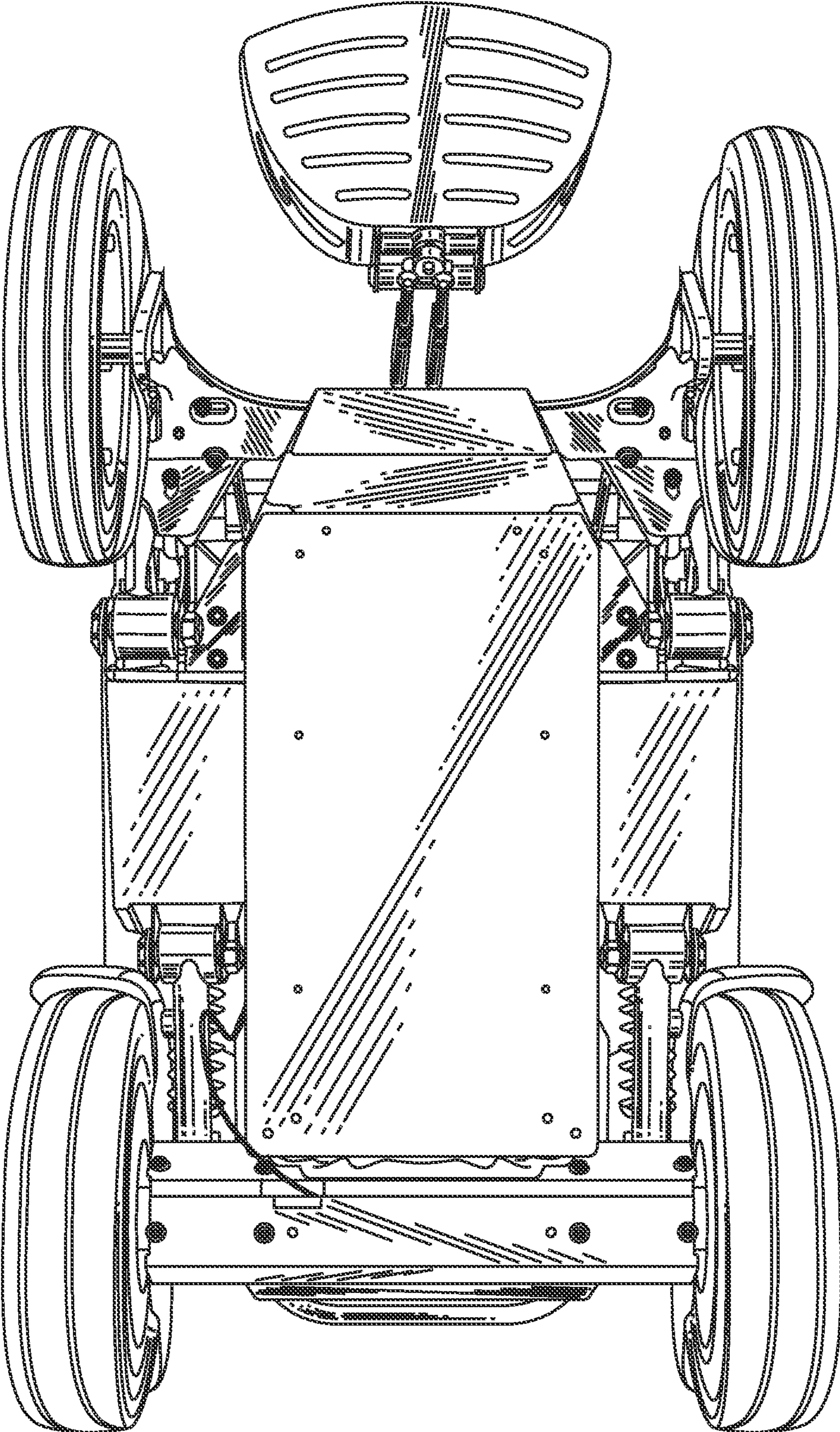


Fig. 6

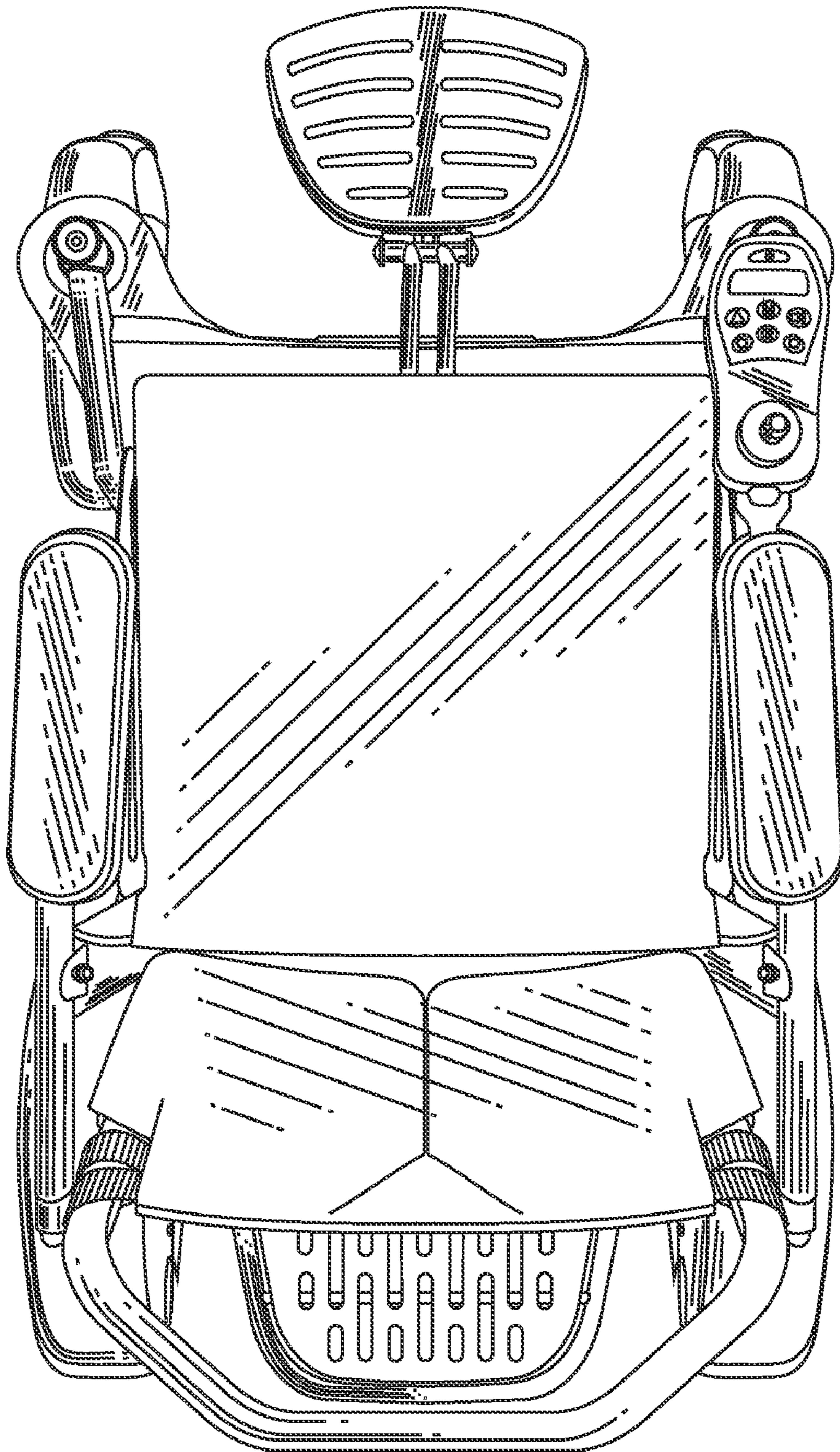


Fig. 7