



US00D621306S

(12) **United States Design Patent**
Liao

(10) **Patent No.:** **US D621,306 S**
(45) **Date of Patent:** **** Aug. 10, 2010**

(54) **COMBINATION PUSHCHAIR FRAME**

D580,306 S * 11/2008 Chen D12/129
D580,828 S * 11/2008 Chen D12/129
D593,459 S * 6/2009 Liao D12/129

(75) Inventor: **Gordon Liao**, Yung Kang (TW)

(73) Assignee: **Unique Product & Design Co., Ltd.**,
Tainan Hsien (TW)

(**) Term: **14 Years**

(21) Appl. No.: **29/343,093**

(22) Filed: **Sep. 8, 2009**

(51) **LOC (9) Cl.** **12-12**

(52) **U.S. Cl.** **D12/129; D12/133**

(58) **Field of Classification Search** D12/128-133;
D6/360, 367; 280/62, 647-650, 29, 200,
280/47.38, 250.1, 259, 642, 658; 297/DIG. 4;
296/65.03, 65.04; 224/409; D21/425, 426;
D34/17, 18

See application file for complete search history.

(56) **References Cited**

U.S. PATENT DOCUMENTS

D444,738 S * 7/2001 Lan D12/129
7,267,359 B1 * 9/2007 Yang et al. 280/642
7,364,171 B2 * 4/2008 Hu 280/47.38
D579,827 S * 11/2008 Lake D12/129

* cited by examiner

Primary Examiner—Charles A Rademaker

Assistant Examiner—Charles D Hanson

(74) *Attorney, Agent, or Firm*—Alan Kamrath; Kamrath &
Associates PA

(57) **CLAIM**

The ornamental design for a combination pushchair frame, as shown and described.

DESCRIPTION

FIG. 1 is a perspective view of a combination pushchair frame showing my new design;

FIG. 2 is a front elevational view thereof;

FIG. 3 is a rear elevational view thereof;

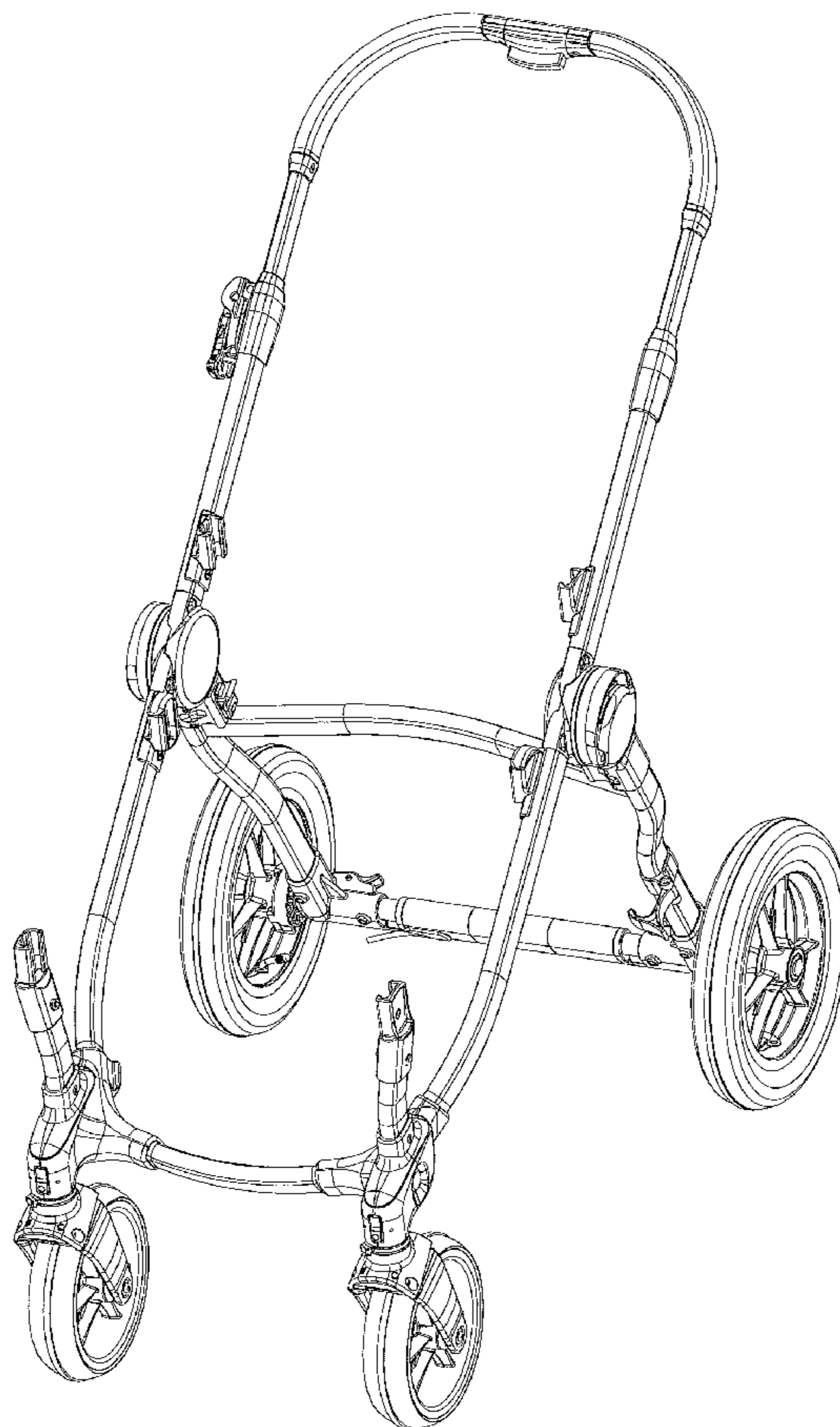
FIG. 4 is a left side elevational view thereof;

FIG. 5 is a right side elevational view thereof;

FIG. 6 is a top plan view thereof; and,

FIG. 7 is a bottom plan view thereof.

1 Claim, 7 Drawing Sheets



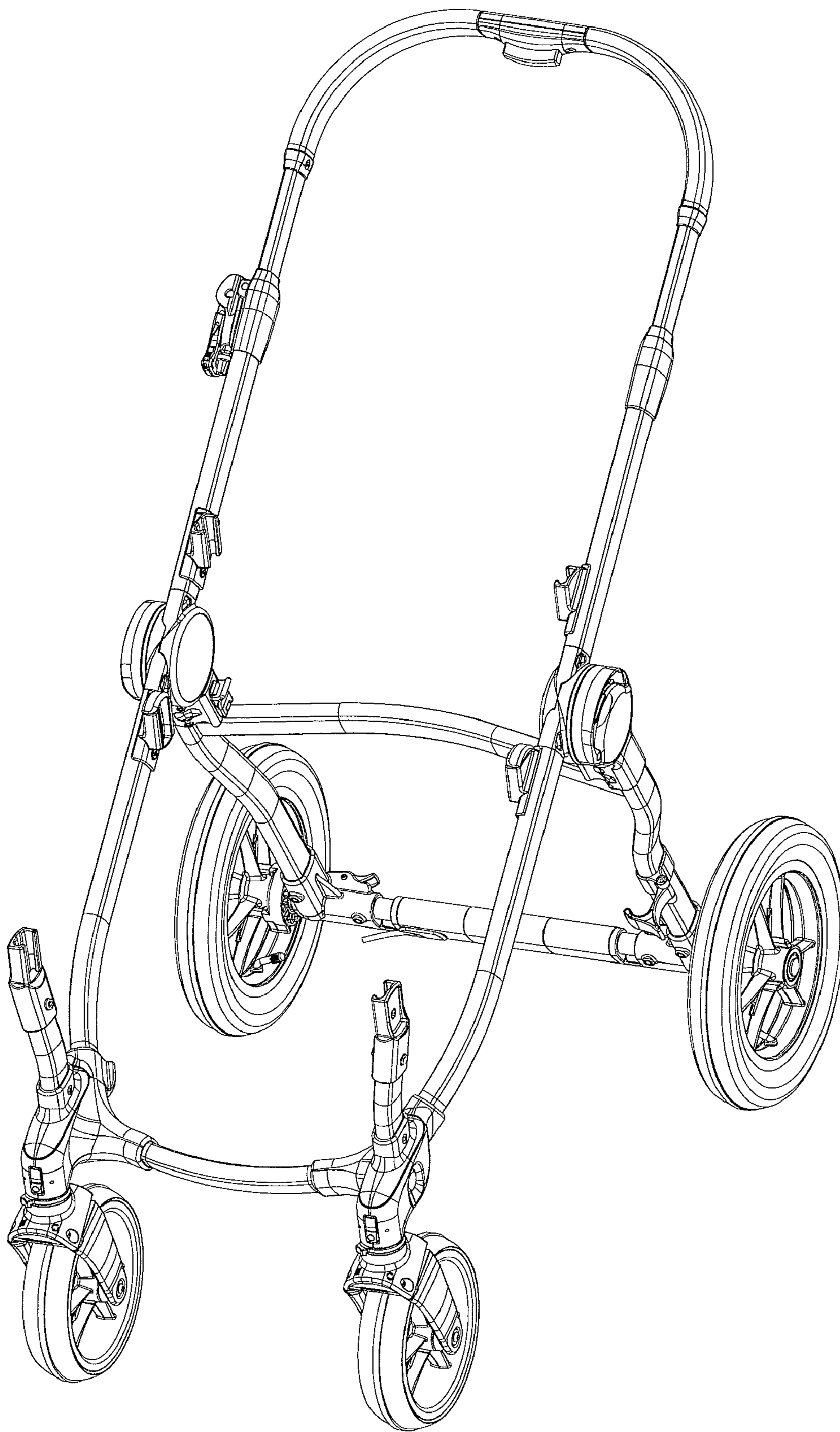


FIG. 1

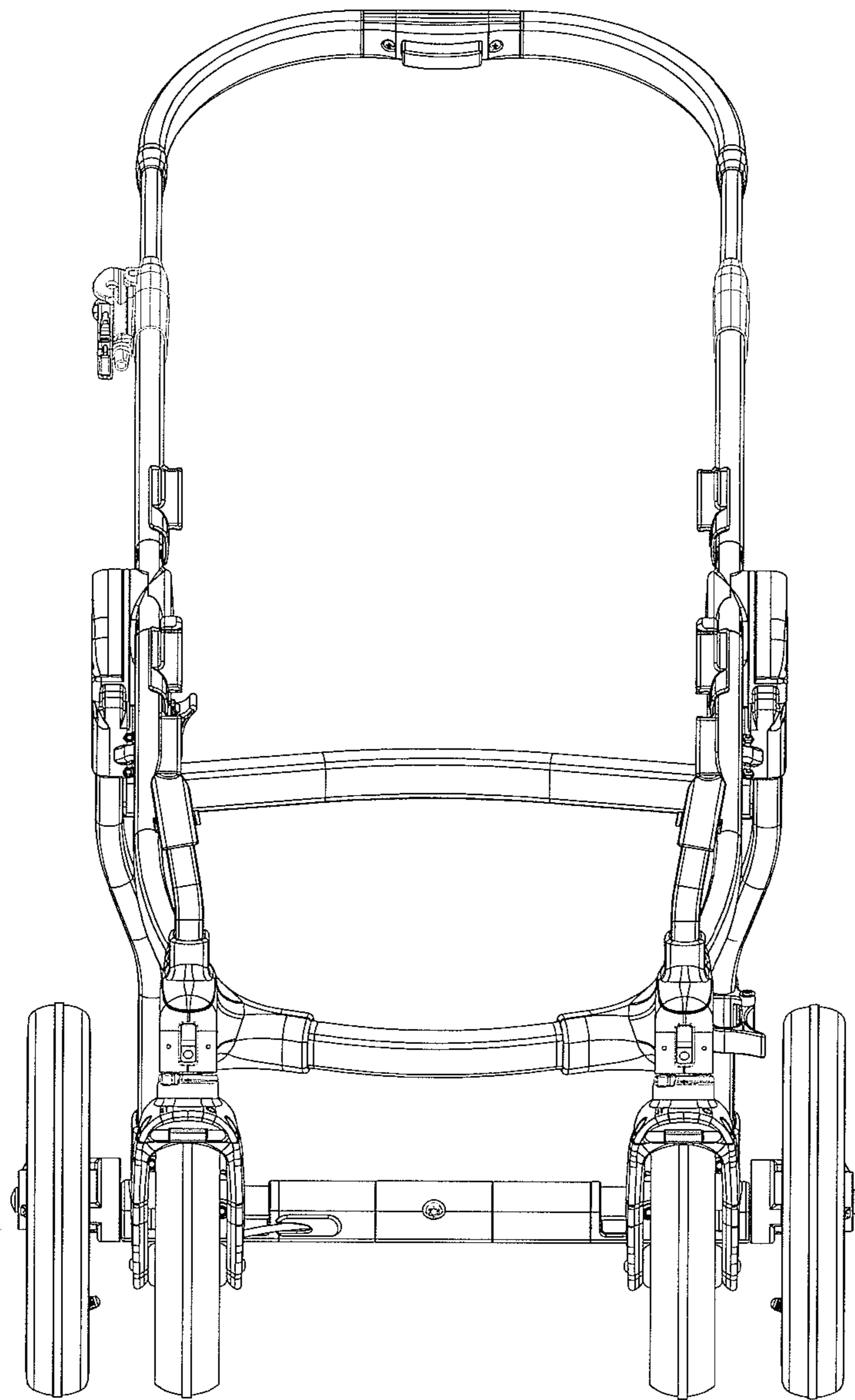


FIG. 2

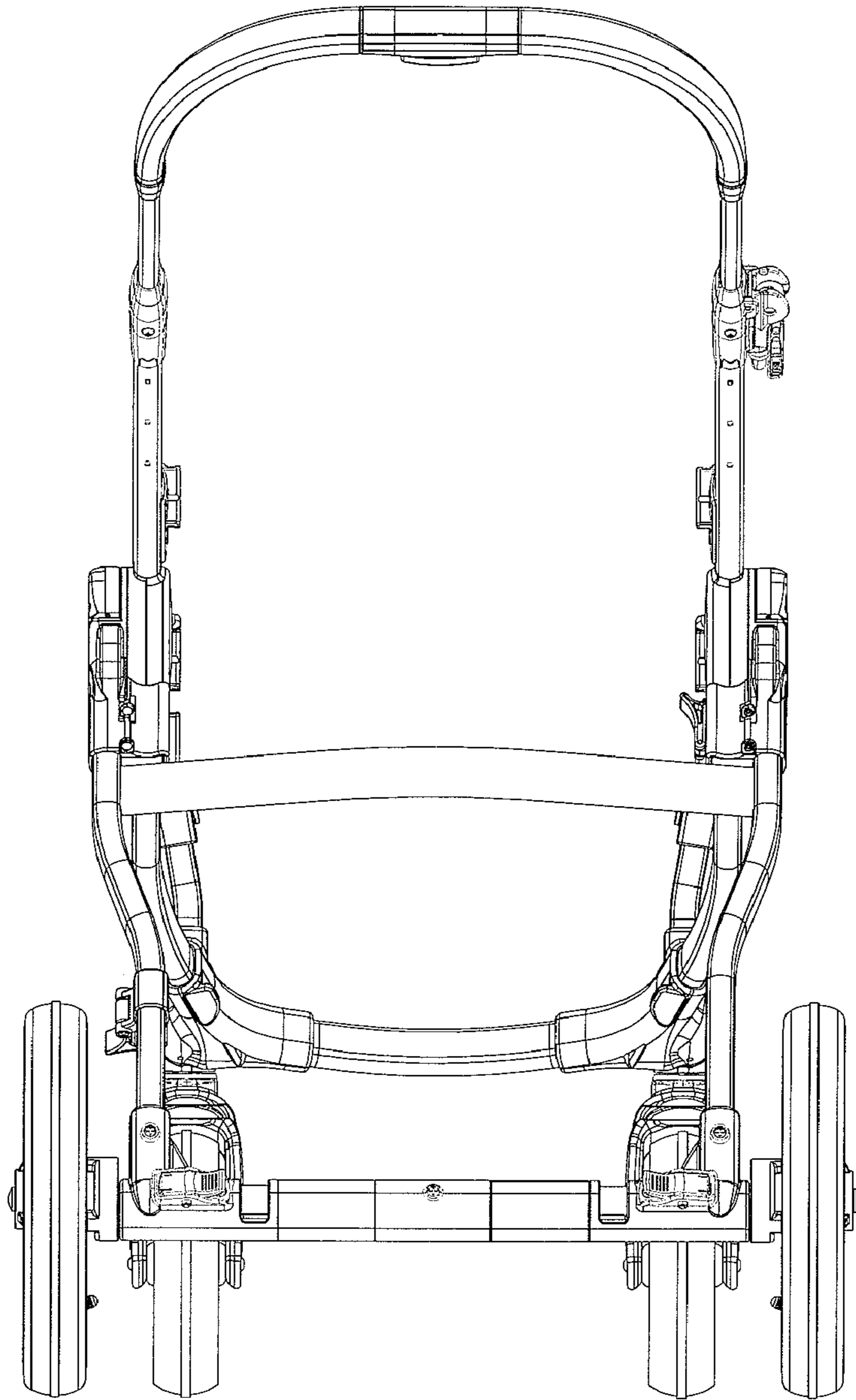


FIG. 3

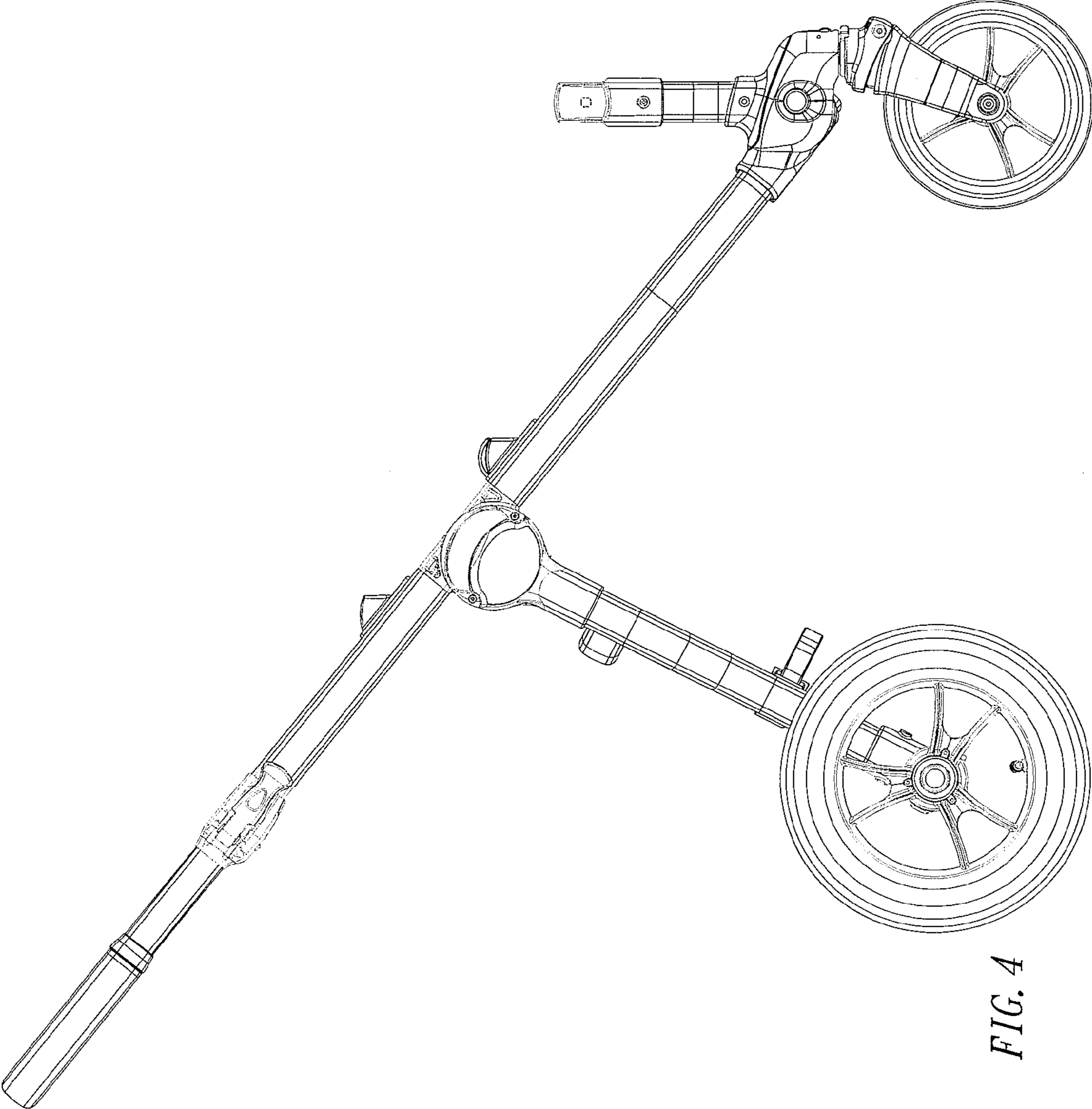


FIG. 4

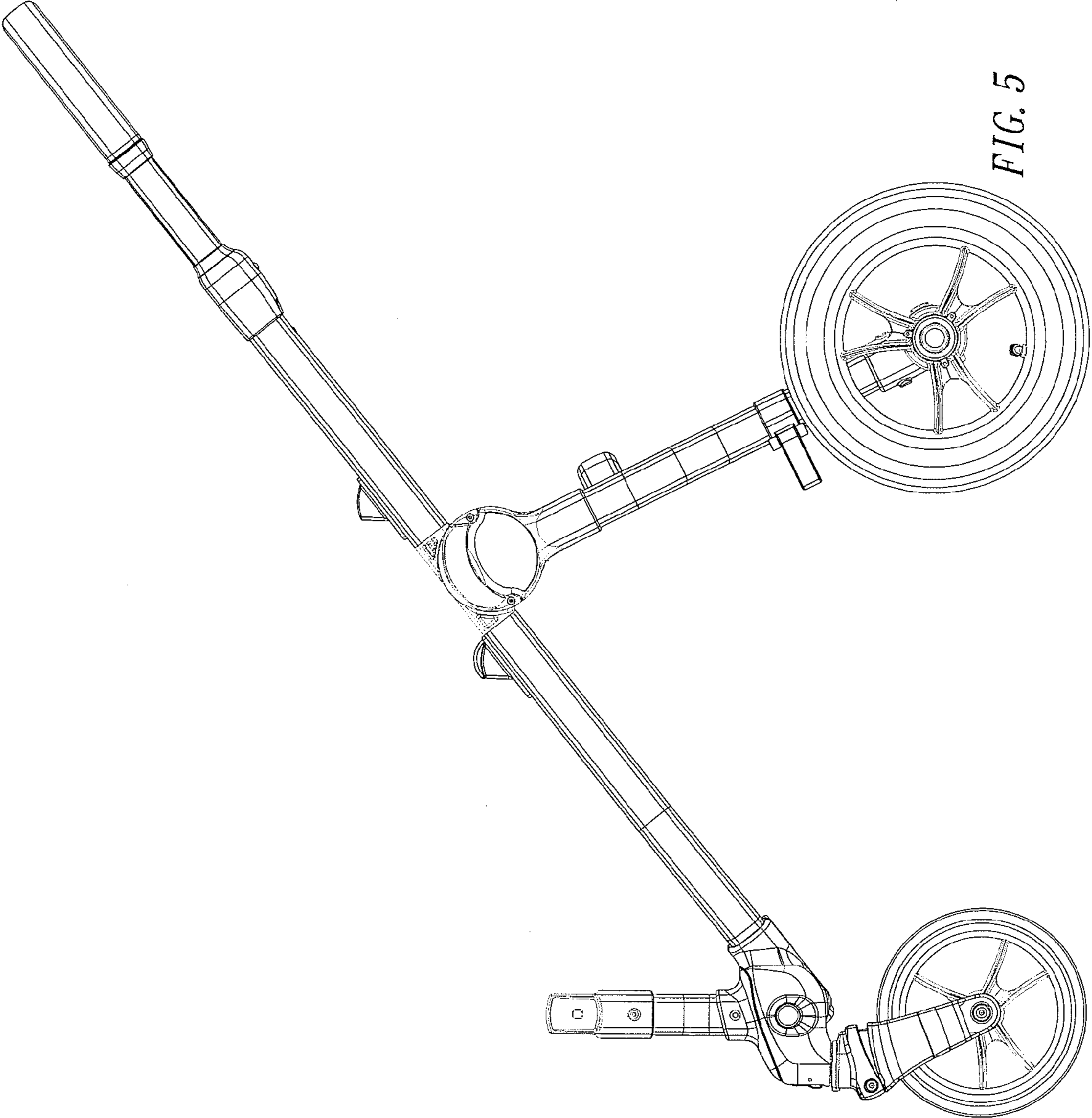


FIG. 5

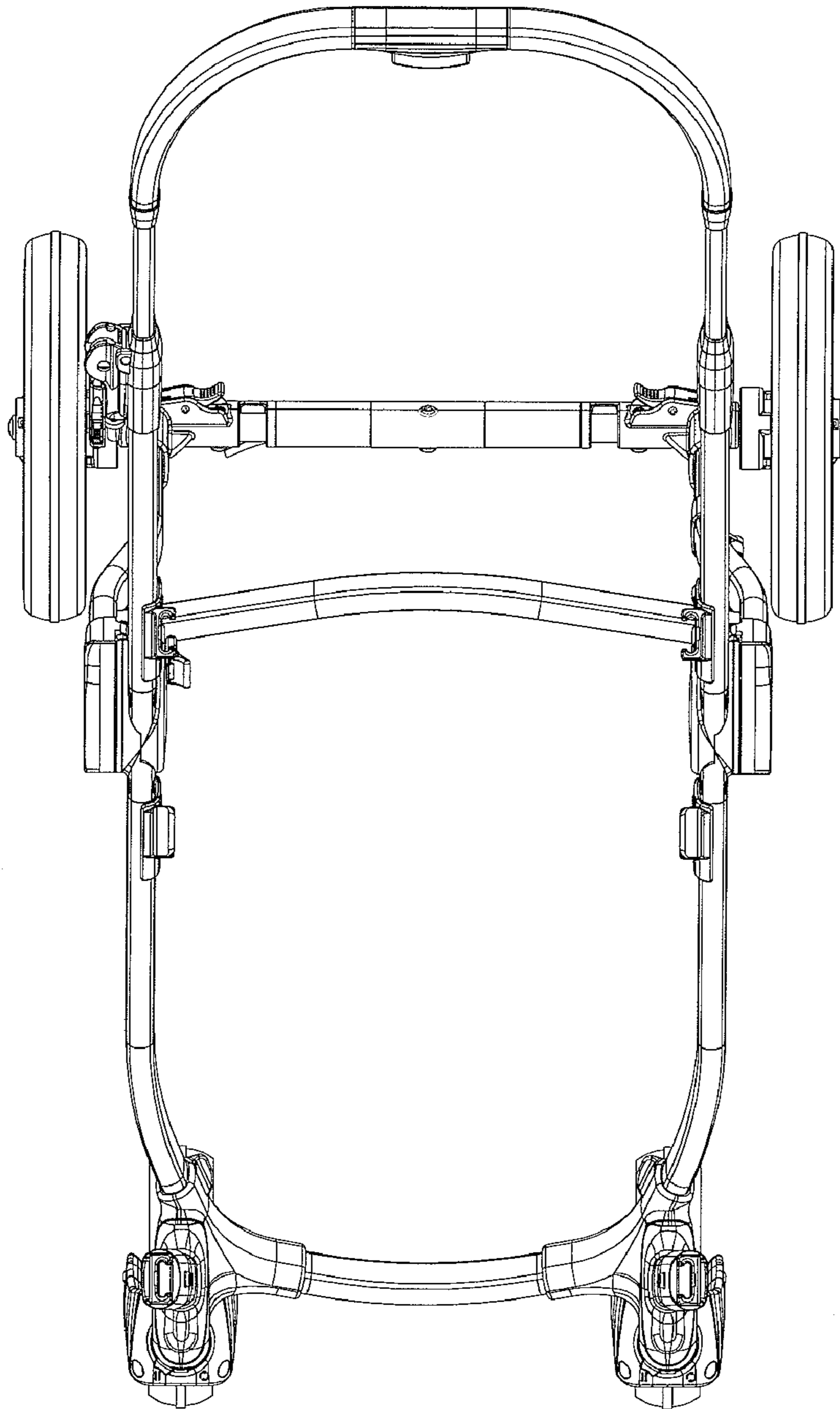


FIG. 6

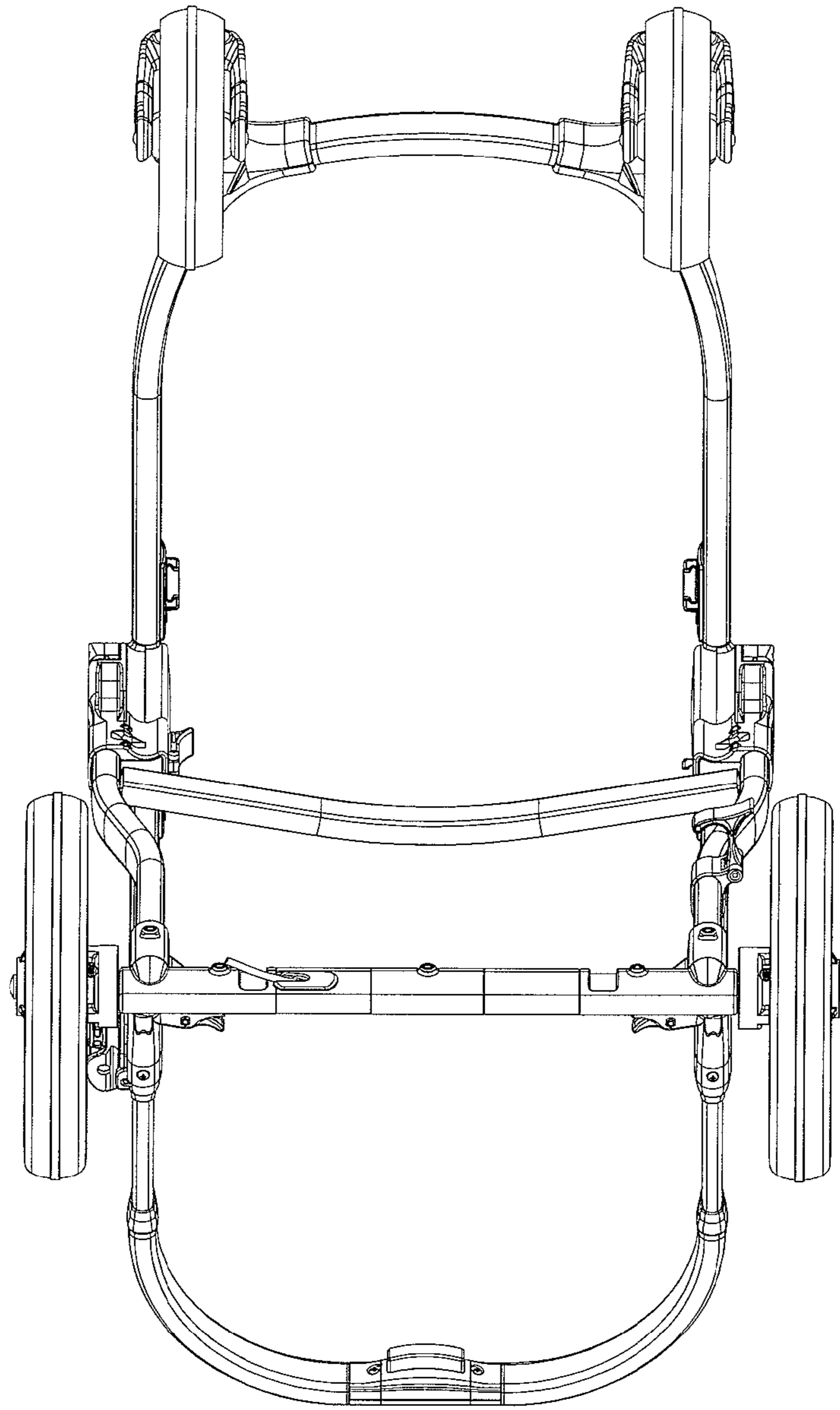


FIG. 7