



US00D621304S

(12) **United States Design Patent**
Jessie, Jr.

(10) **Patent No.:** **US D621,304 S**
(45) **Date of Patent:** **** Aug. 10, 2010**

(54) **FRAME PORTION FOR A TRIKE, BIKE,
SCOOTER OR THE LIKE**
(75) **Inventor:** **Donald K. Jessie, Jr.**, Middletown, OH
(US)

6,332,621 B1 12/2001 Wu
6,505,845 B1 1/2003 Fong
6,517,093 B2 2/2003 Feng
6,530,589 B1 3/2003 Ma
6,575,486 B2 6/2003 Ma

(Continued)

(73) **Assignee:** **Huffy Corporation**, Centerville, OH
(US)

Primary Examiner—Philip S Hyder
Assistant Examiner—Linda G. Brooks

(**) **Term:** **14 Years**

(74) *Attorney, Agent, or Firm*—Wood, Herron & Evans,
L.L.P.

(21) **Appl. No.:** **29/343,289**

(22) **Filed:** **Sep. 10, 2009**

(57) **CLAIM**

The ornamental design for a frame portion for a trike, bike, scooter or the like, as shown and described.

(51) **LOC (9) Cl.** **12-11**
(52) **U.S. Cl.** **D12/112**
(58) **Field of Classification Search** D12/112,
D12/113, 114, 117, 159, 160, 194; 280/283–287,
280/274–278, 281.1, 7.1, 7.15, 282, 62, 288.1–288.4;
301/124.1, 125; D8/382, 396; 403/1, 42,
403/52, 64, 82, 345, 169, 190, 379.3; D21/432,
D21/435, 423, 538; 446/29, 431, 440, 465,
446/470

DESCRIPTION

FIG. 1 is a perspective view of an embodiment of my new, original and ornamental design;
FIG. 2 is an enlarged perspective view thereof;
FIG. 3 is a front view thereof;
FIG. 4 is a right view thereof;
FIG. 5 is a left view thereof;
FIG. 6 is a rear view thereof;
FIG. 7 is a top view thereof; and,
FIG. 8 is a bottom view thereof.

See application file for complete search history.

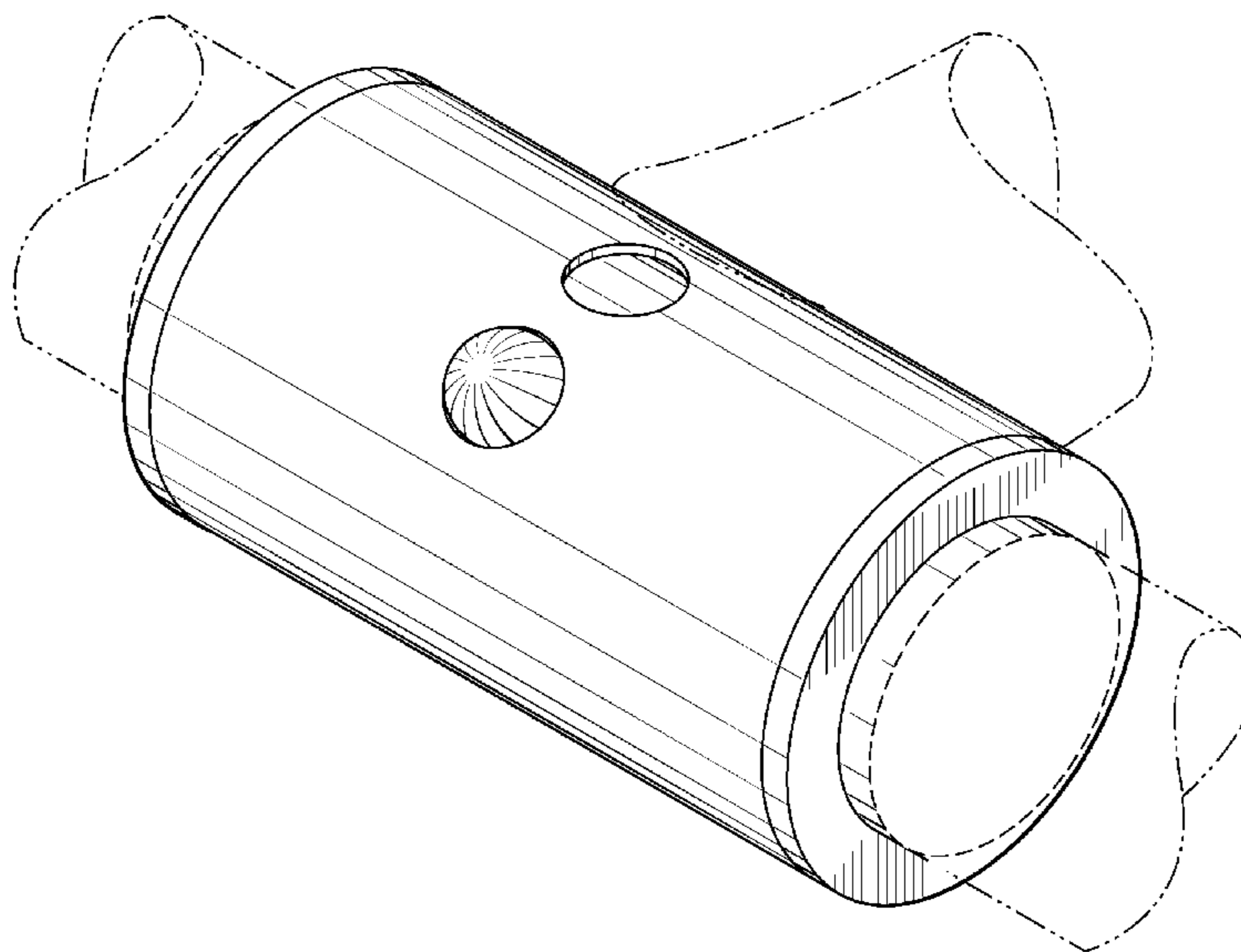
The dashed lines on opposed ends of the frame portion for a trike, bike, scooter or the like represent the bounds of the claimed design while the phantom lines are directed to environment and are for illustrative purposes only. The dashed lines and phantom lines form no part of the claimed design. Additionally, the unshown portion of the frame portion for a trike, bike, scooter or the like forms no part of the claimed design.

(56) **References Cited**

U.S. PATENT DOCUMENTS

2,619,364 A	11/1952	Carson	
2,846,278 A *	8/1958	Blazek	384/30
3,030,124 A *	4/1962	Holloway	280/281.1
3,583,727 A *	6/1971	Wallis	280/283
3,608,917 A	9/1971	Cogliano	
4,103,917 A	8/1978	Widolf	
4,674,761 A	6/1987	Kassai	
5,388,659 A	2/1995	Pepe	
5,419,573 A	5/1995	Kao	
5,513,895 A	5/1996	Olson et al.	
5,779,386 A	7/1998	Eichhorn	
5,836,600 A	11/1998	Chiu	

1 Claim, 4 Drawing Sheets



US D621,304 S

Page 2

U.S. PATENT DOCUMENTS							
				7,210,696	B2	5/2007	Kettler et al.
				7,300,066	B2	11/2007	Kettler et al.
6,637,559	B2 *	10/2003	Hoose 188/322.16	7,377,528	B1	5/2008	Xie
6,685,206	B1	2/2004	Blake	7,455,308	B2	11/2008	Michelau et al.
6,685,207	B1	2/2004	Blake	7,597,331	B2 *	10/2009	Schulte et al. 280/7.15
6,886,845	B2	5/2005	Chao	2003/0141695	A1	7/2003	Chen
6,966,572	B2	11/2005	Michelau et al.	2008/0277901	A1	11/2008	Catelli
D524,193	S *	7/2006	Hong D12/112				

* cited by examiner

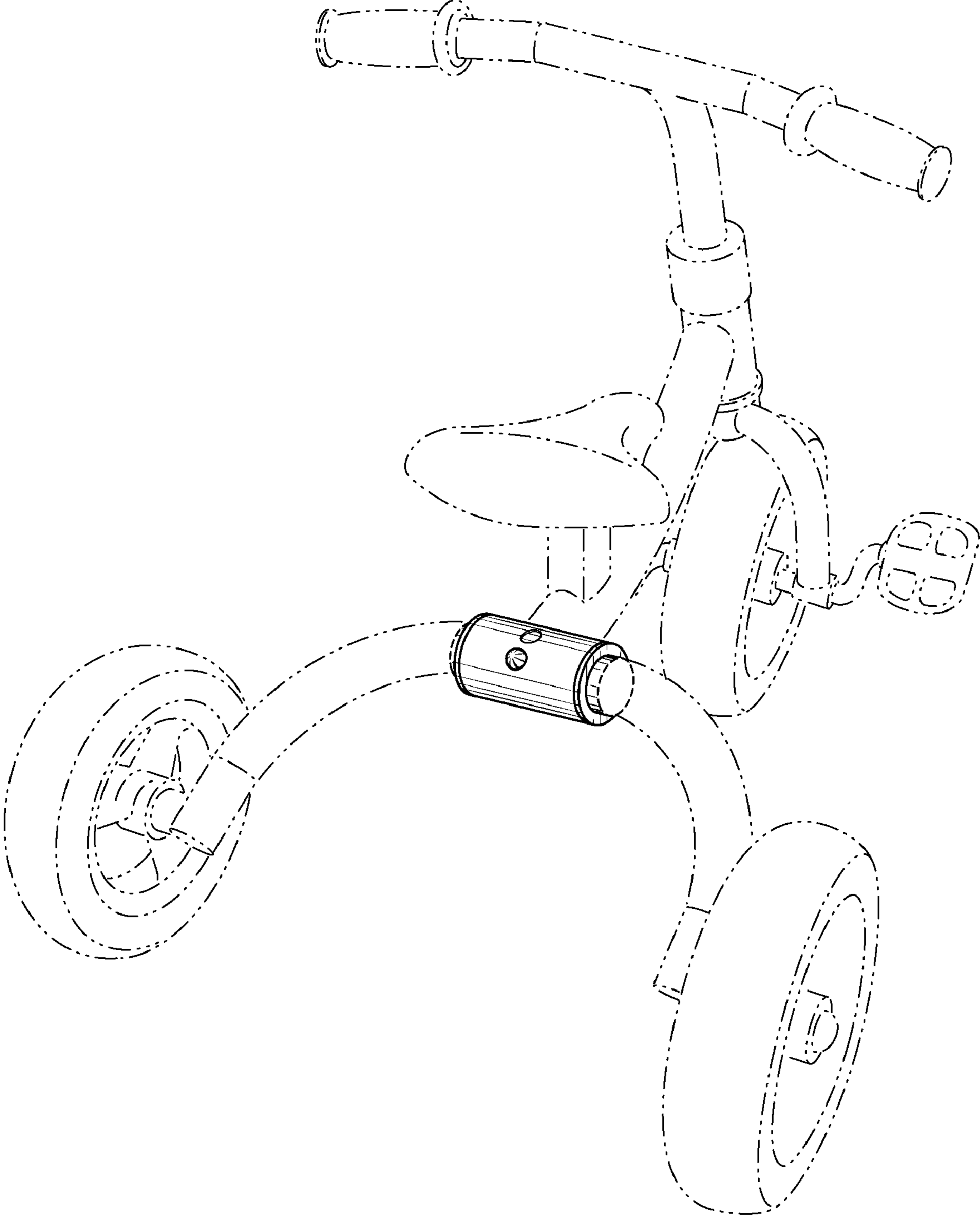


FIG. 1

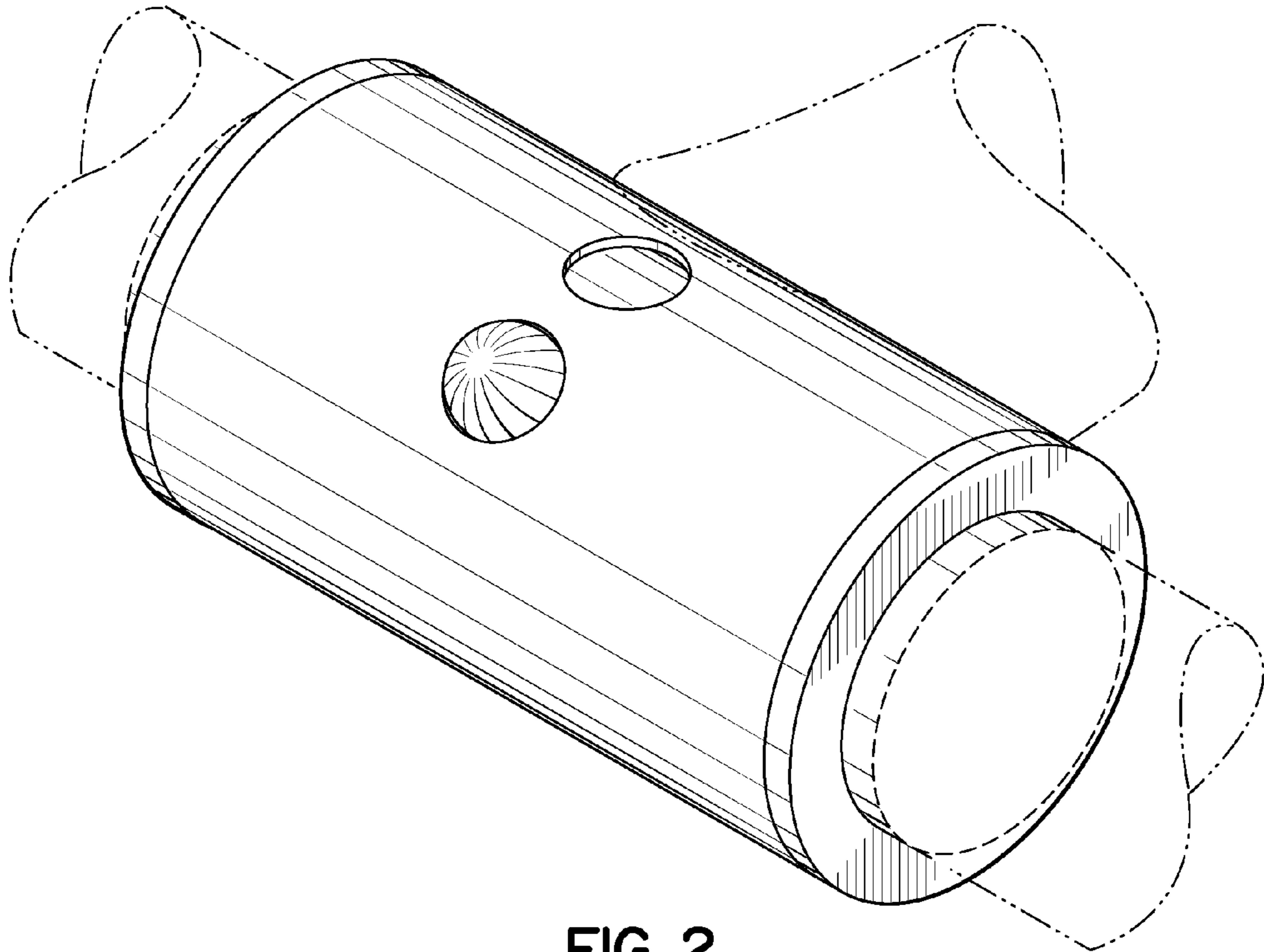


FIG. 2

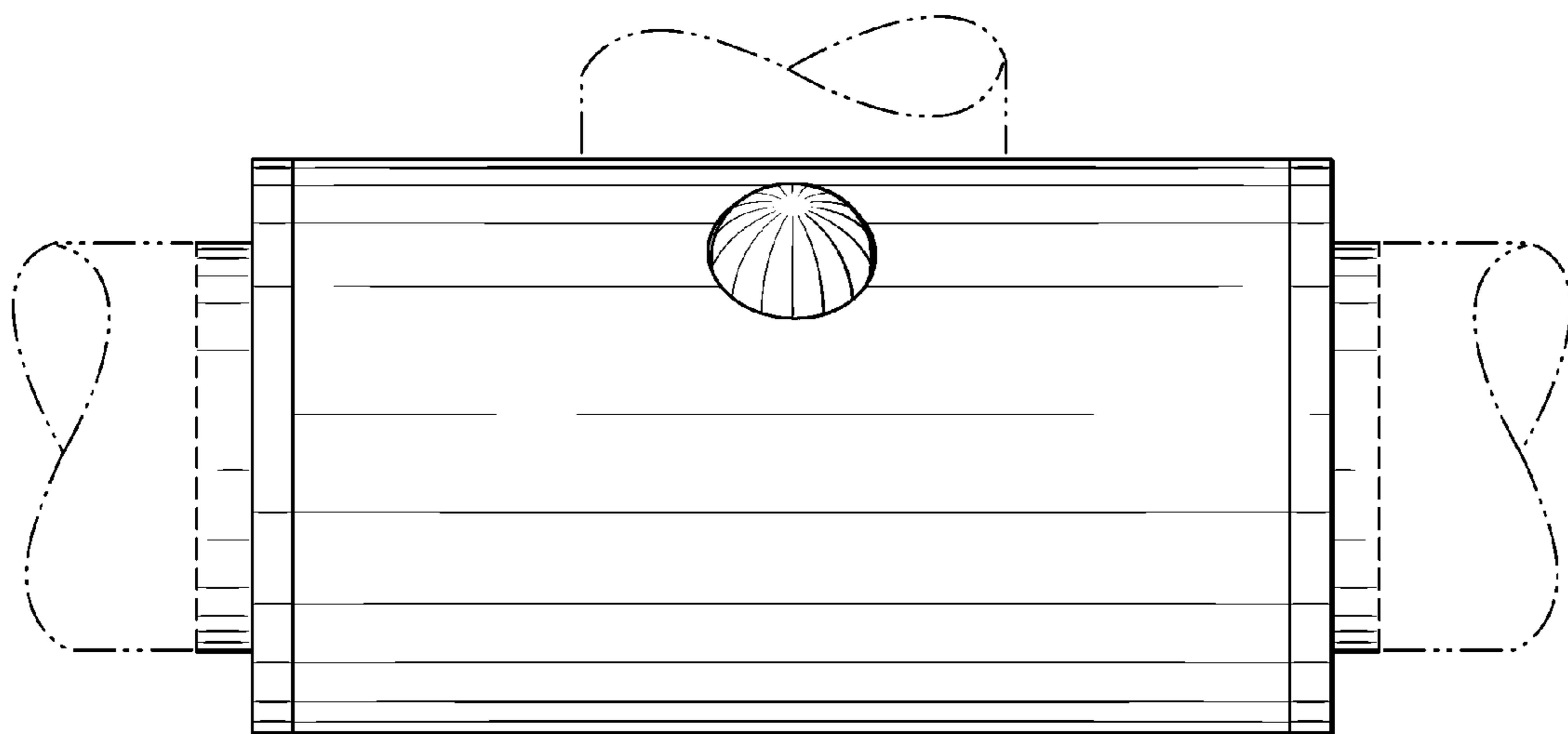


FIG. 3

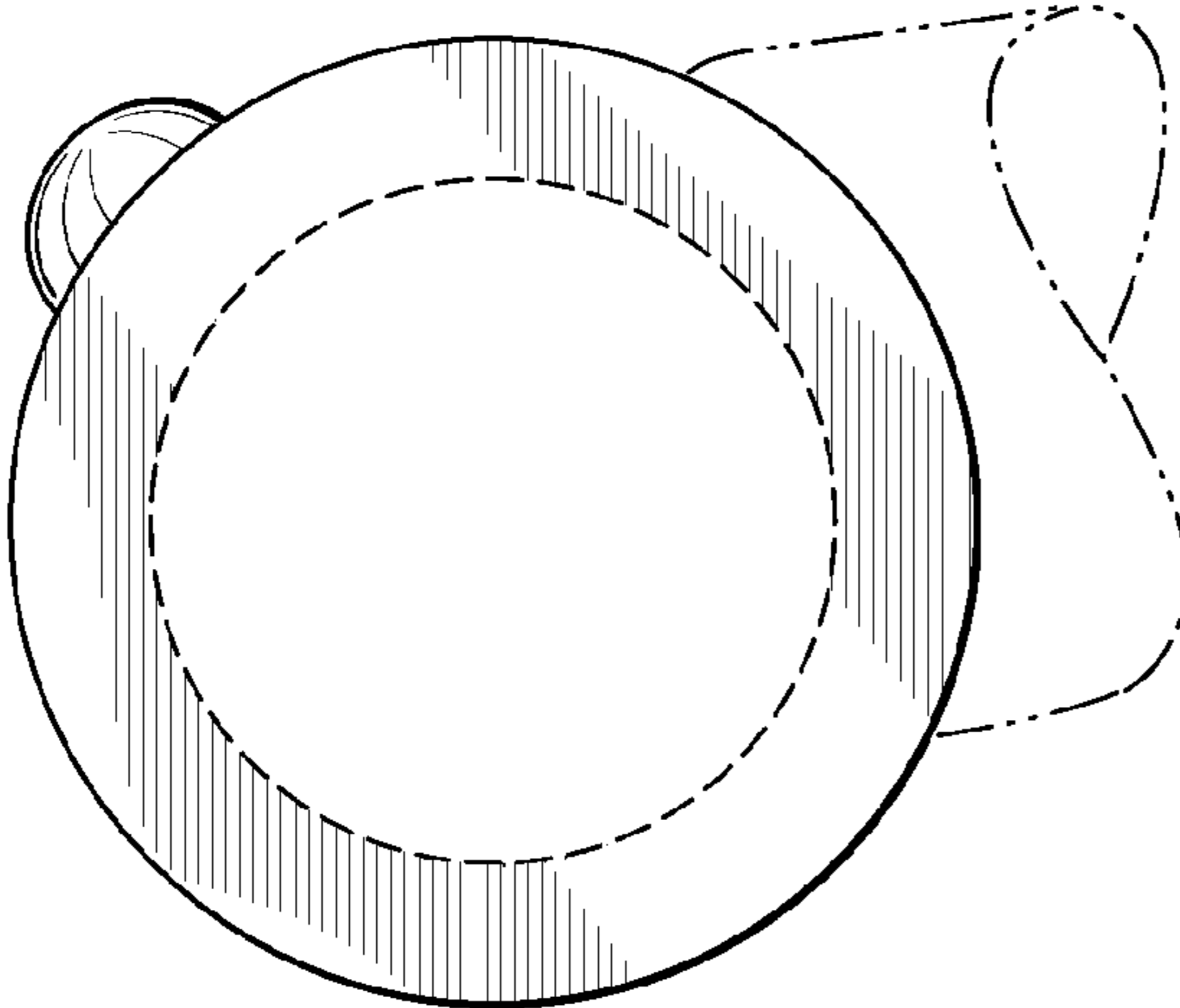


FIG. 4

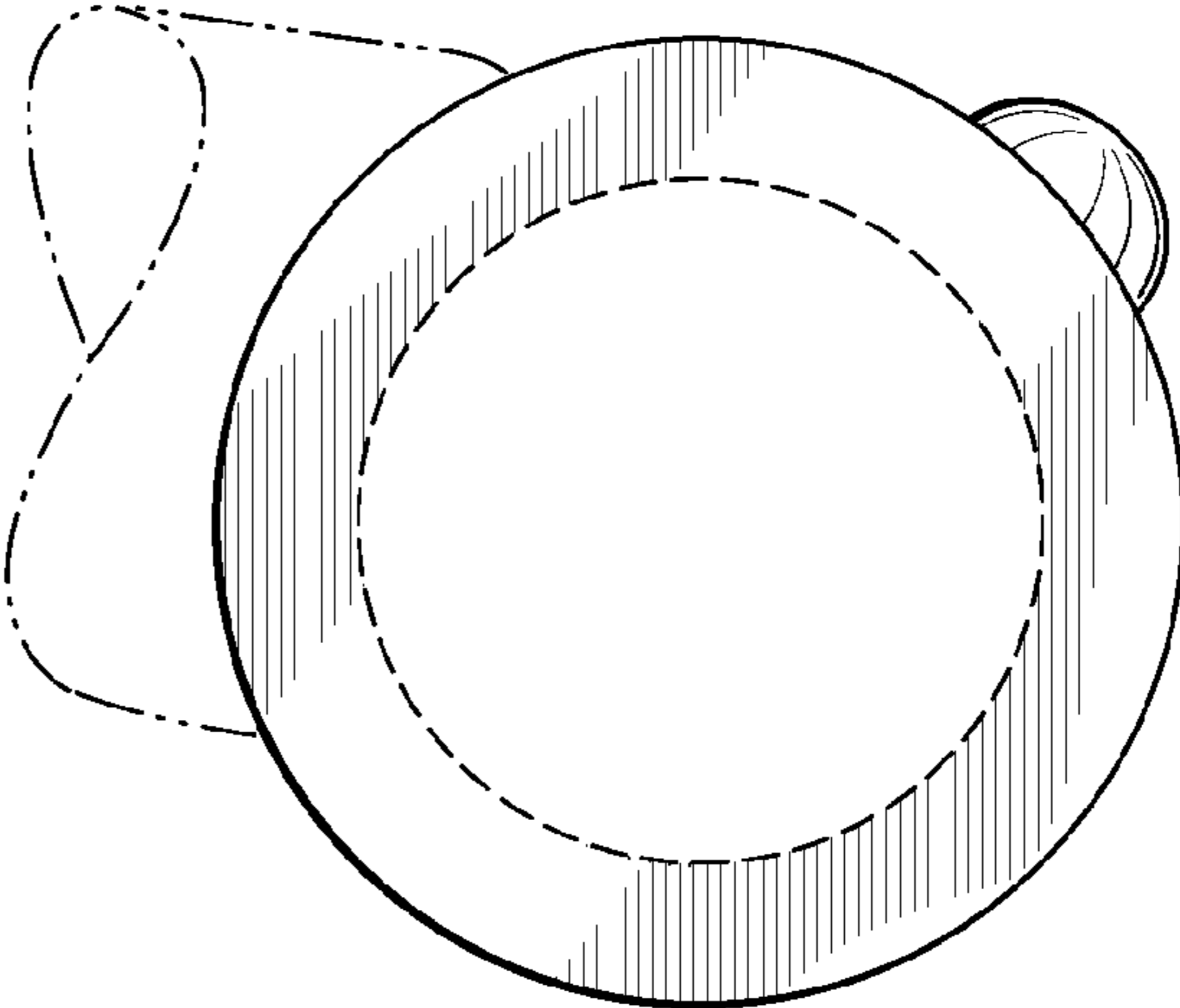


FIG. 5

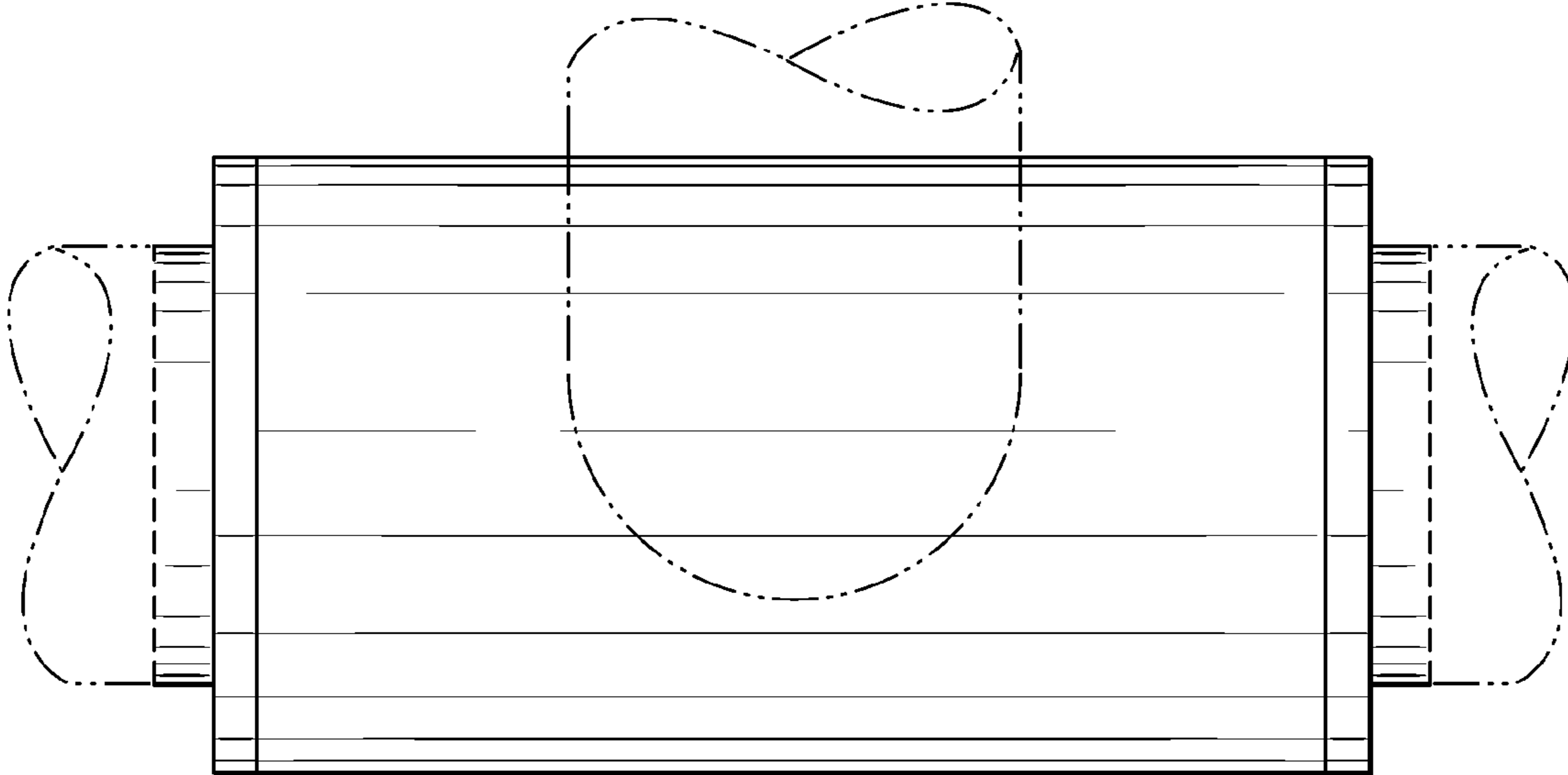


FIG. 6

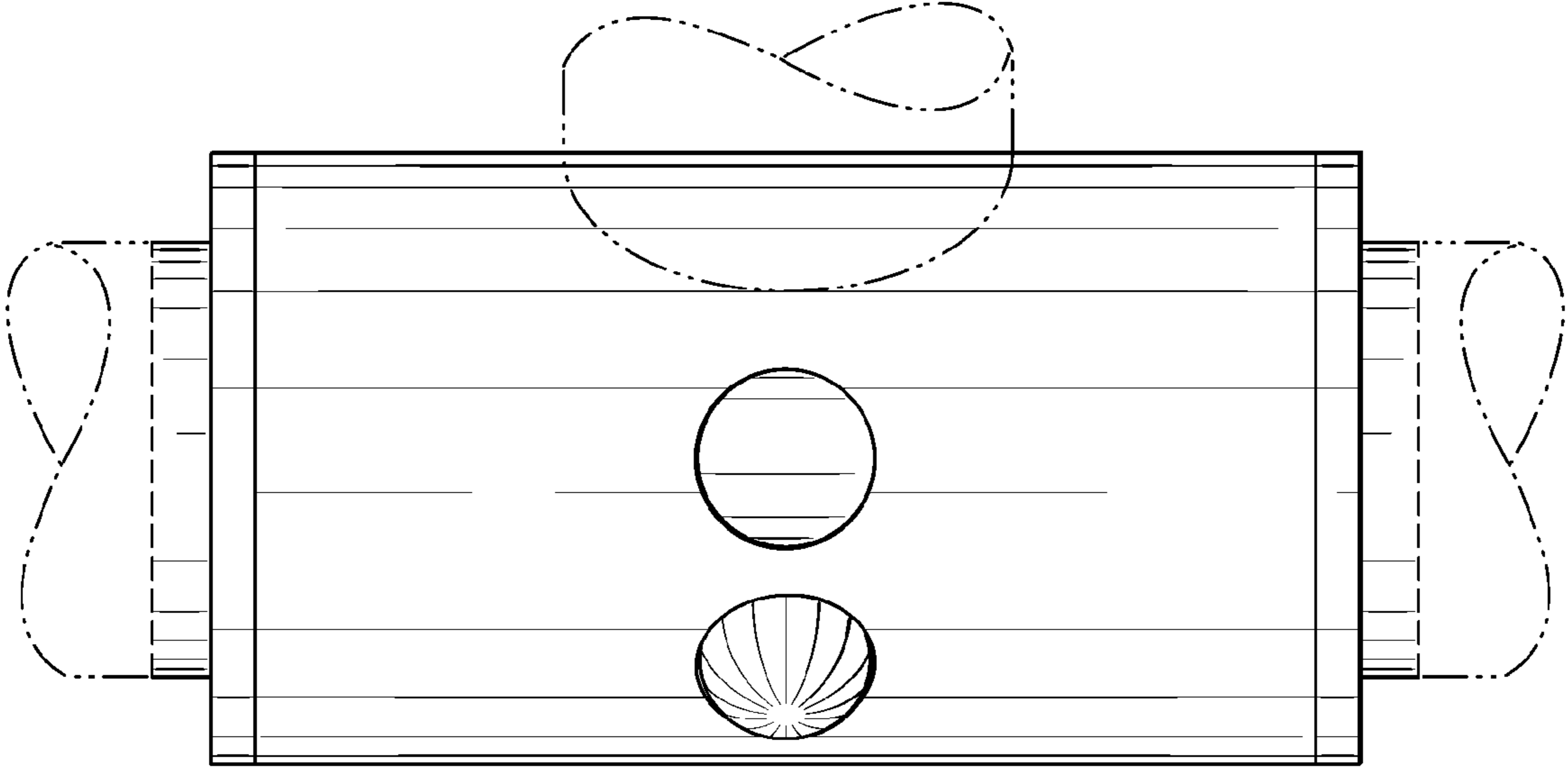


FIG. 7

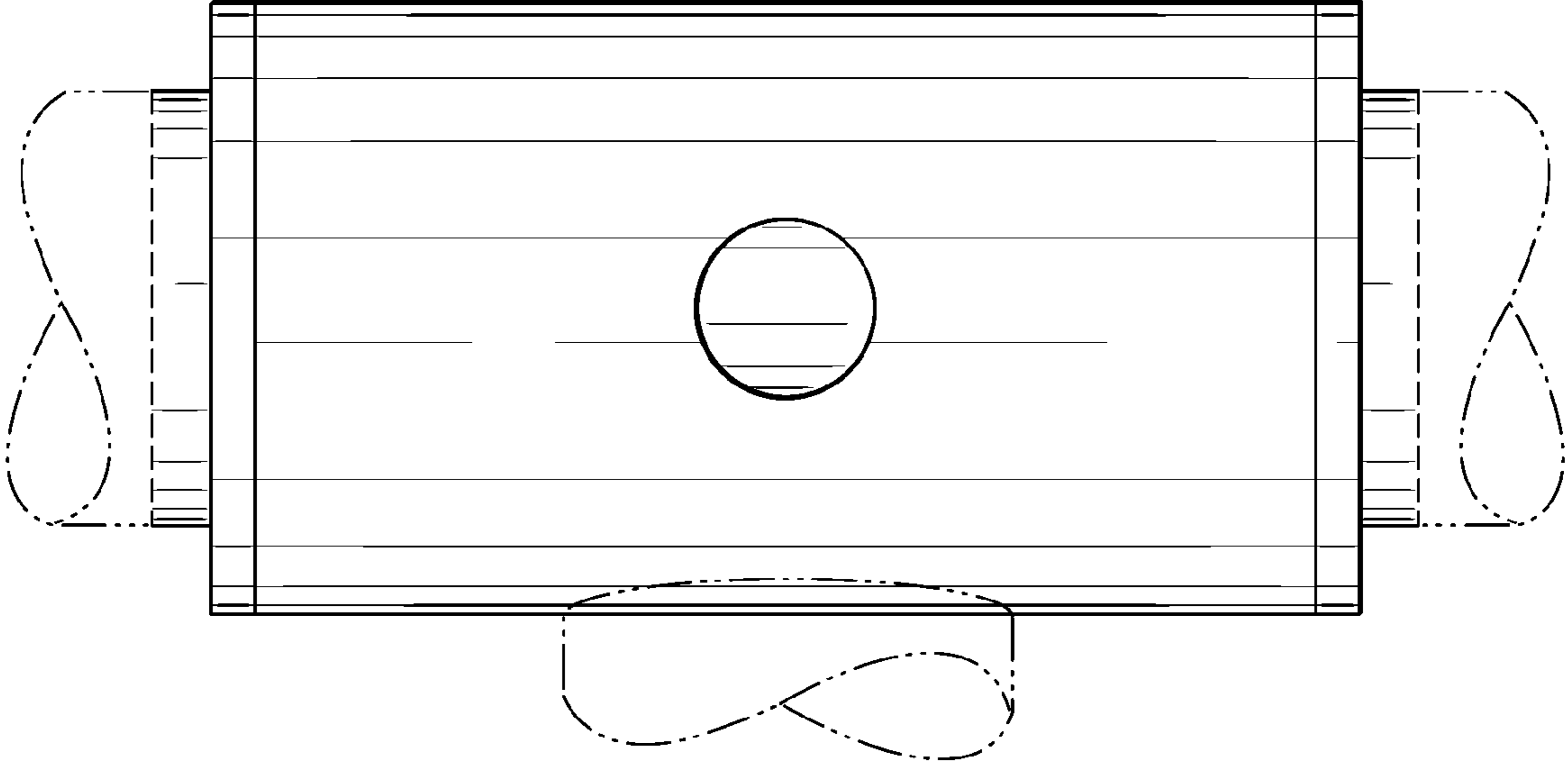


FIG. 8