



US00D621302S

(12) **United States Design Patent**
Tanaka et al.

(10) **Patent No.:** **US D621,302 S**

(45) **Date of Patent:** **** Aug. 10, 2010**

(54) **ELECTRIC BICYCLE**

(75) Inventors: **Yosuke Tanaka**, Kobe (JP); **Katsuyuki Tomonaga**, Yokohama (JP)

(73) Assignees: **Sanyo Electric Co., Ltd.**, Moriguchi-shi (JP); **Sanyo Consumer Electronics Co., Ltd.**, Tottori-shi (JP)

(**) Term: **14 Years**

(21) Appl. No.: **29/351,377**

(22) Filed: **Dec. 4, 2009**

(30) **Foreign Application Priority Data**

Jun. 5, 2009 (JP) 2009-012689

(51) **LOC (9) Cl.** **12-11**

(52) **U.S. Cl.** **D12/111**

(58) **Field of Classification Search** D12/111,
D12/110; 180/205-207, 65.1, 65.6, 216,
180/217, 219, 220, 65.51, 221-224; 280/274-280,
280/281.1, 288.1-288.3, 283-288

See application file for complete search history.

(56) **References Cited**

U.S. PATENT DOCUMENTS

D273,484 S * 4/1984 Herbert D12/111
6,152,250 A * 11/2000 Shu-Hsien 180/220
6,684,971 B2 * 2/2004 Yu et al. 180/205
7,055,842 B1 * 6/2006 Lin 280/278
7,232,143 B1 * 6/2007 Ferguson 280/278

7,614,632 B2 * 11/2009 Tak-Wei Hon 280/278
D614,084 S * 4/2010 Tanaka et al. D12/111

* cited by examiner

Primary Examiner—Susan M Lee

Assistant Examiner—Linda G. Brooks

(74) *Attorney, Agent, or Firm*—Westerman, Hattori, Daniels & Adrian, LLP

(57) **CLAIM**

The ornamental design for an electric bicycle, as shown and described.

DESCRIPTION

FIG. 1 is a left, front side perspective view of an electric bicycle showing our new design;

FIG. 2 is a right, front side perspective view thereof;

FIG. 3 is a front elevational view thereof;

FIG. 4 is a rear elevational view thereof;

FIG. 5 is a right side elevational view thereof;

FIG. 6 is a left side elevational view thereof;

FIG. 7 is a top plan view thereof;

FIG. 8 is a bottom plan view thereof;

FIG. 9 illustrates a right side elevational view of the electric bicycle of FIG. 1, in which the electric bicycle is in a folded state; and,

FIG. 10 illustrates a left side elevational view of the folded electric bicycle of FIG. 9.

1 Claim, 10 Drawing Sheets

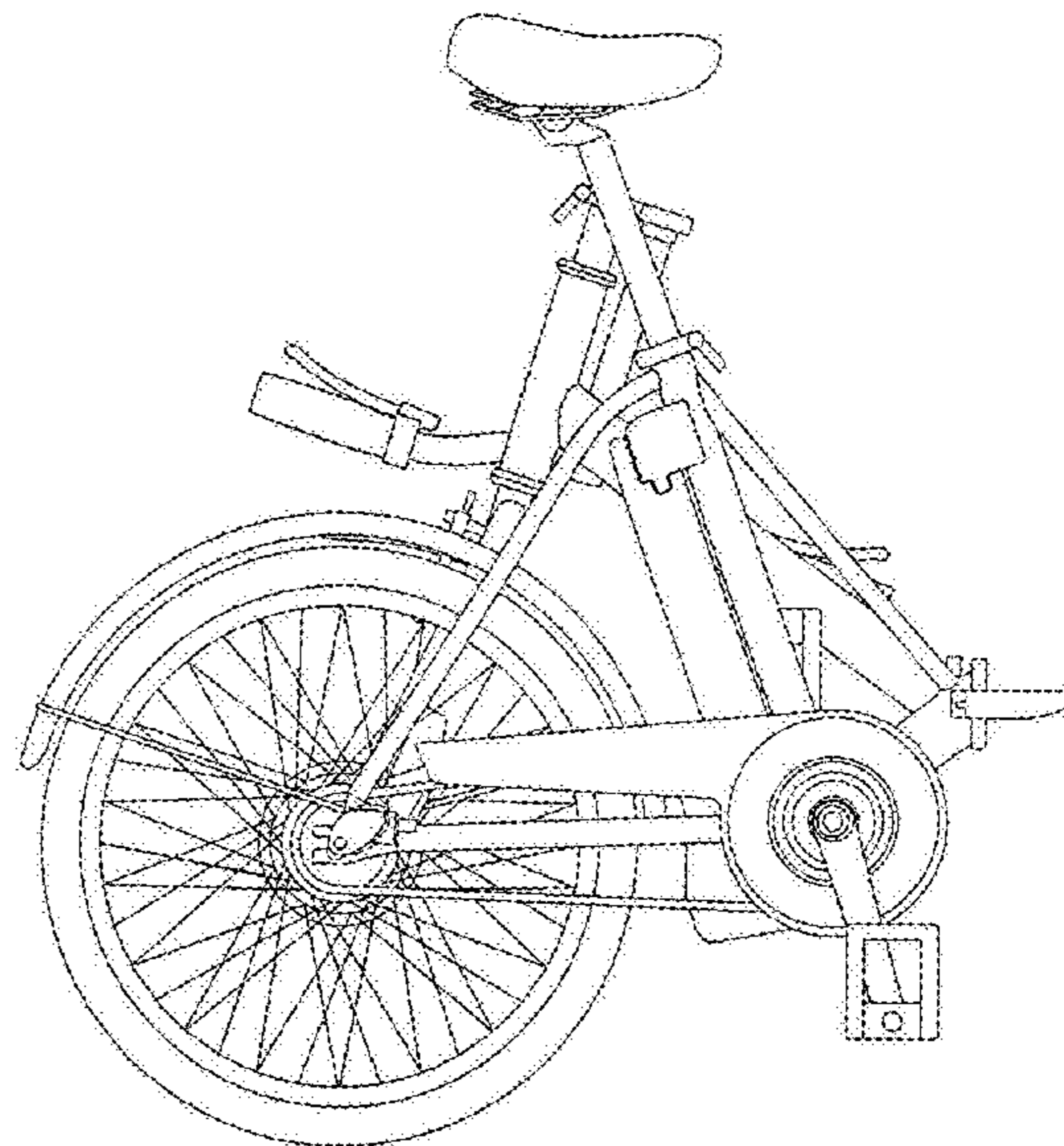
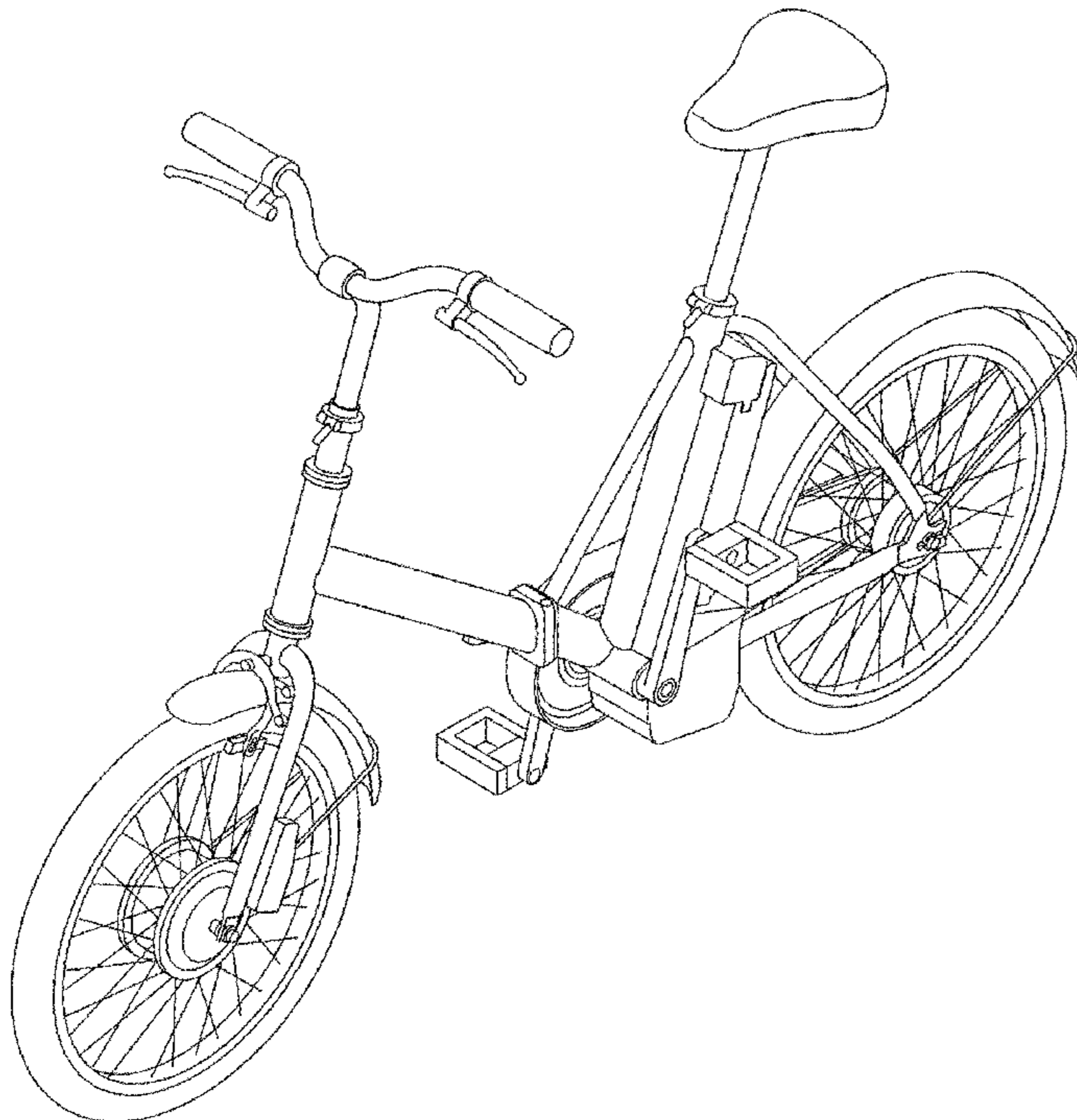


FIG. 1

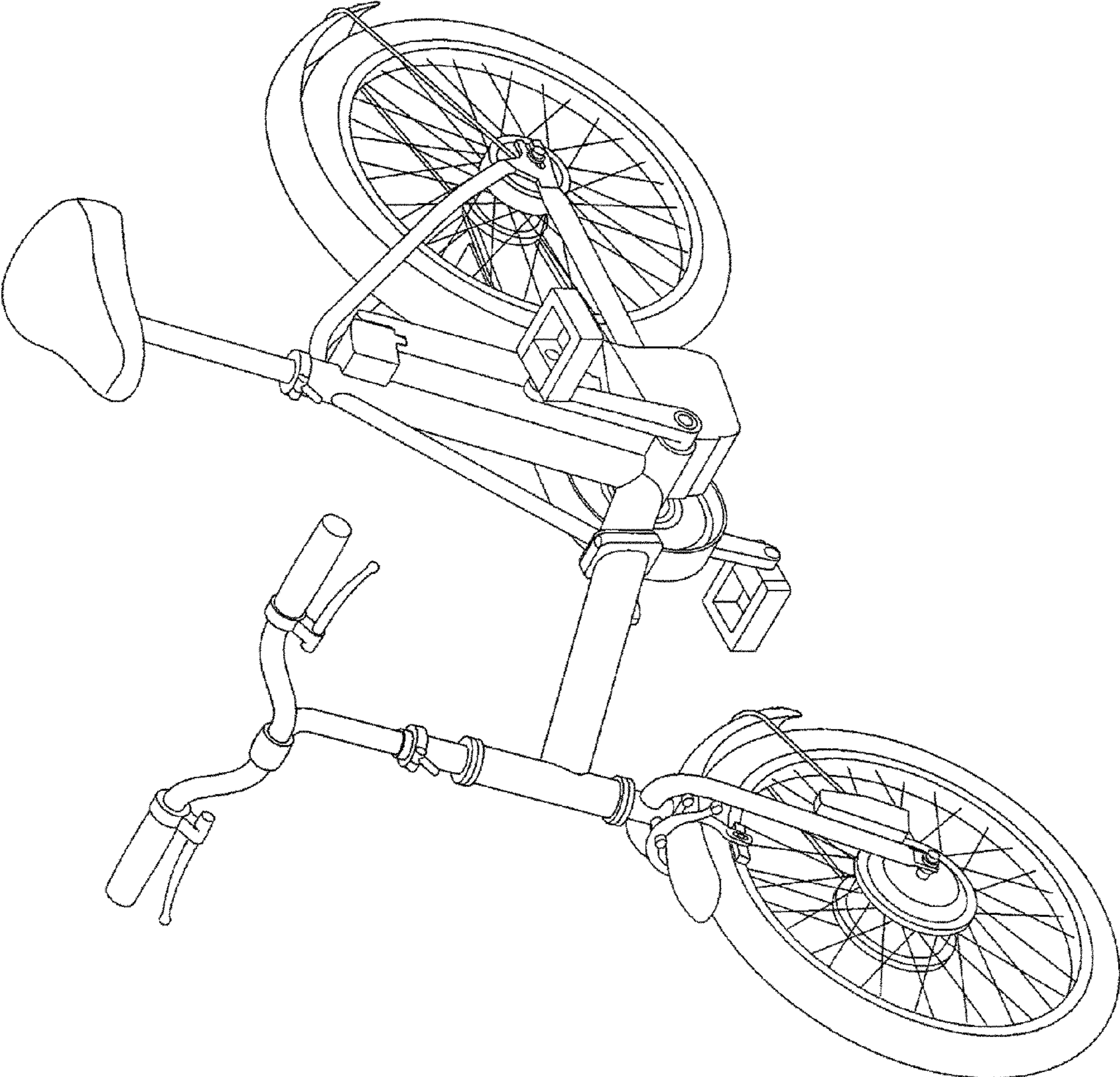


FIG. 2

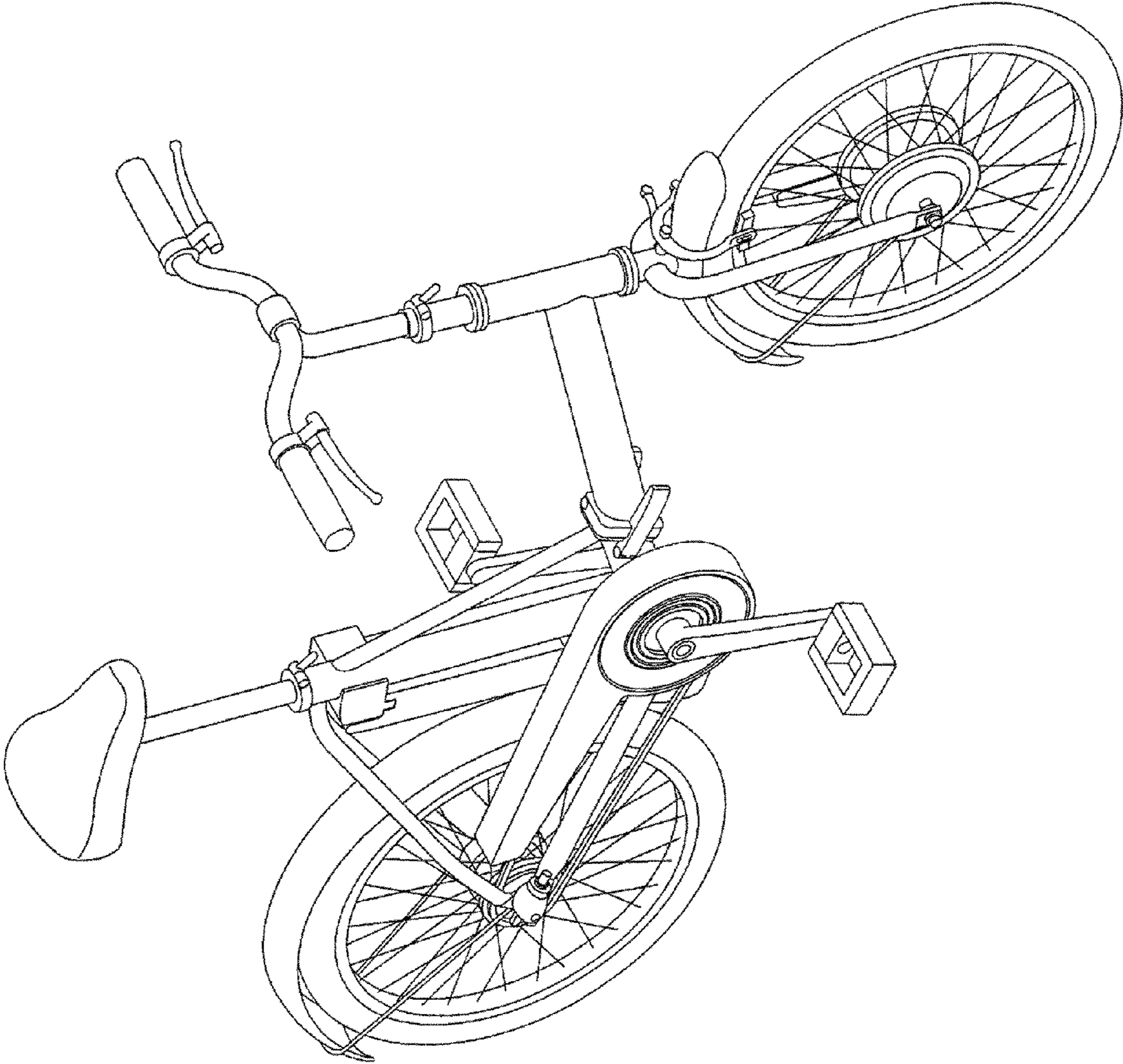


FIG. 3

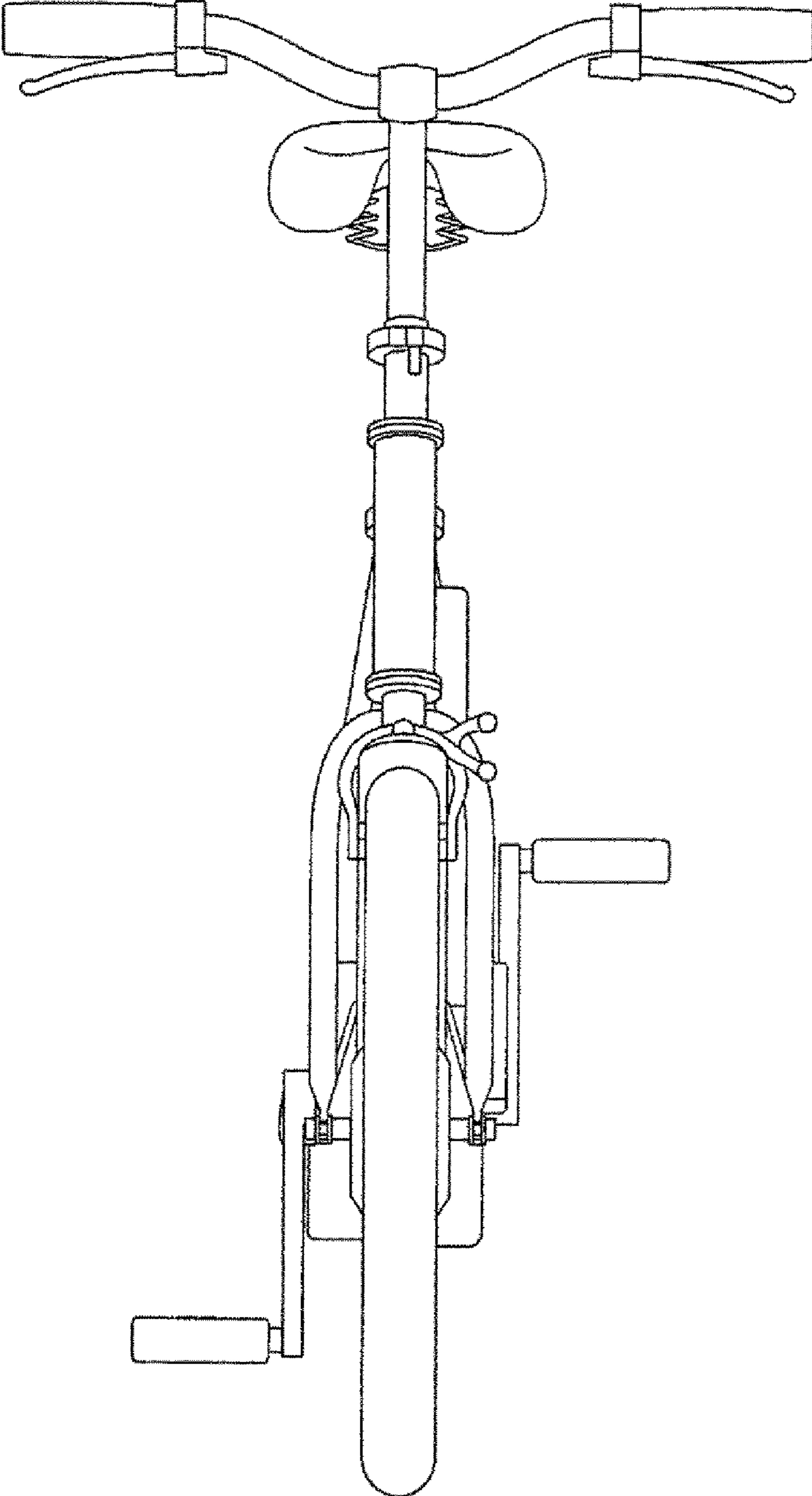
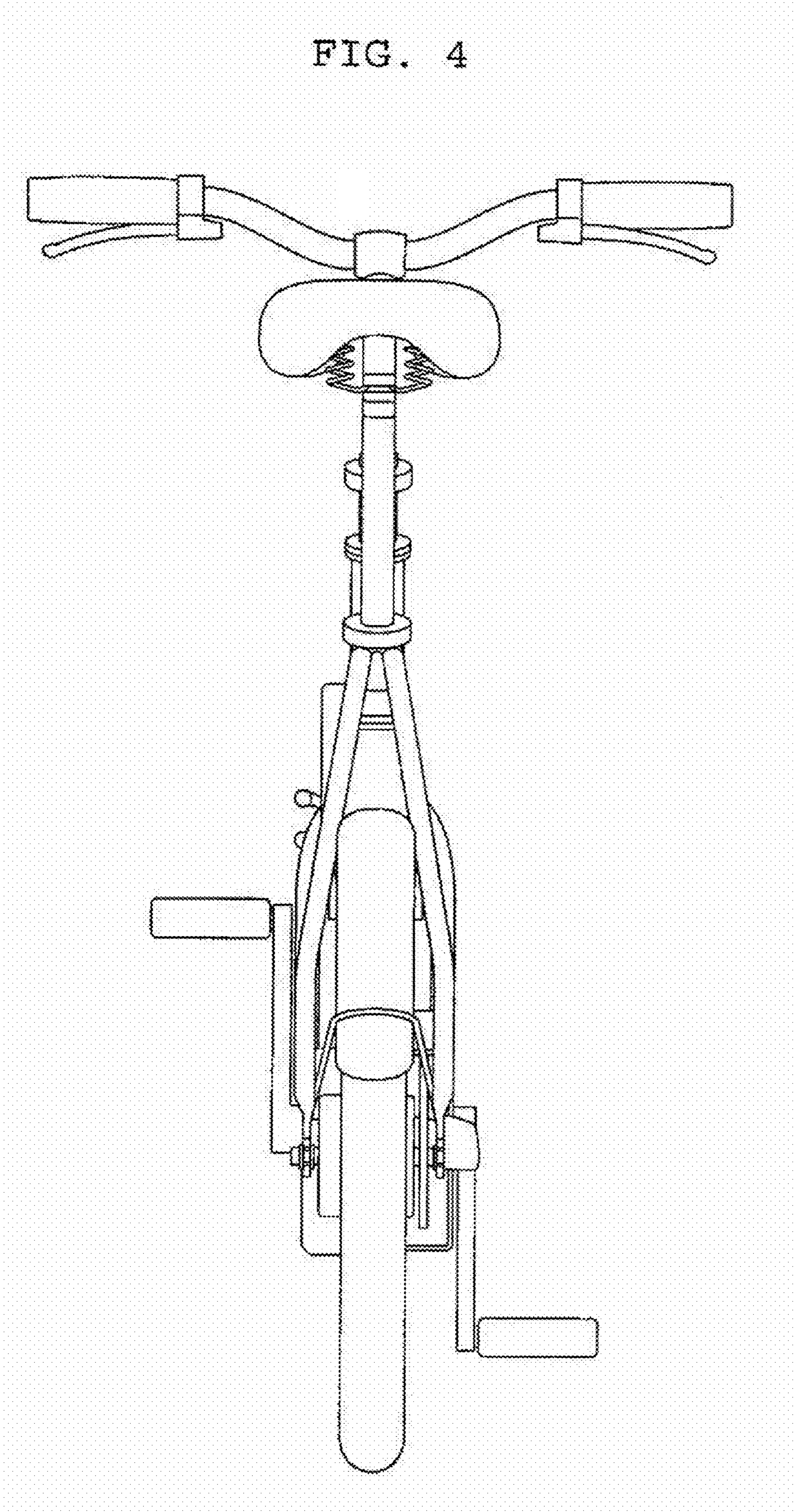


FIG. 4



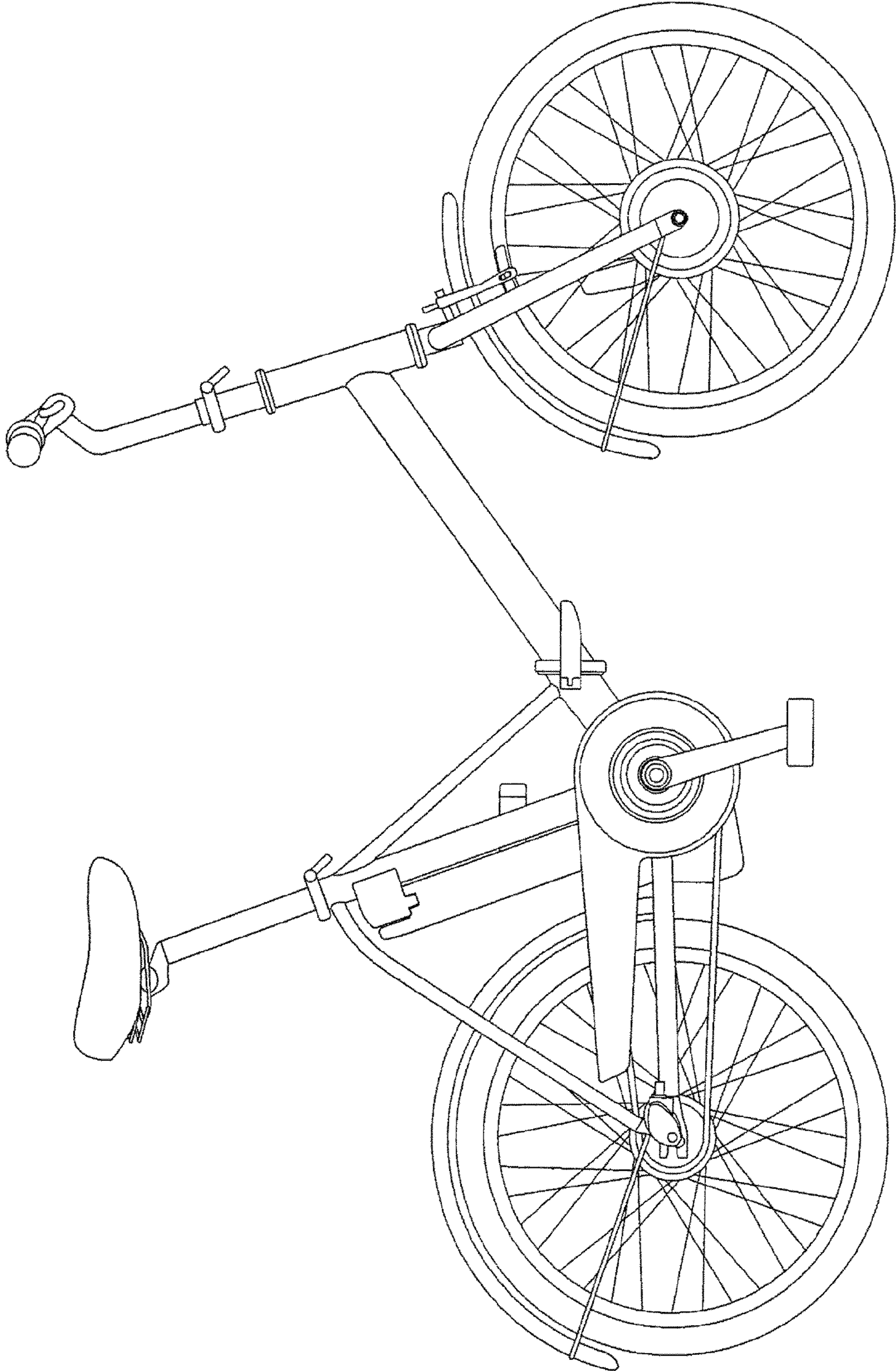


FIG. 5

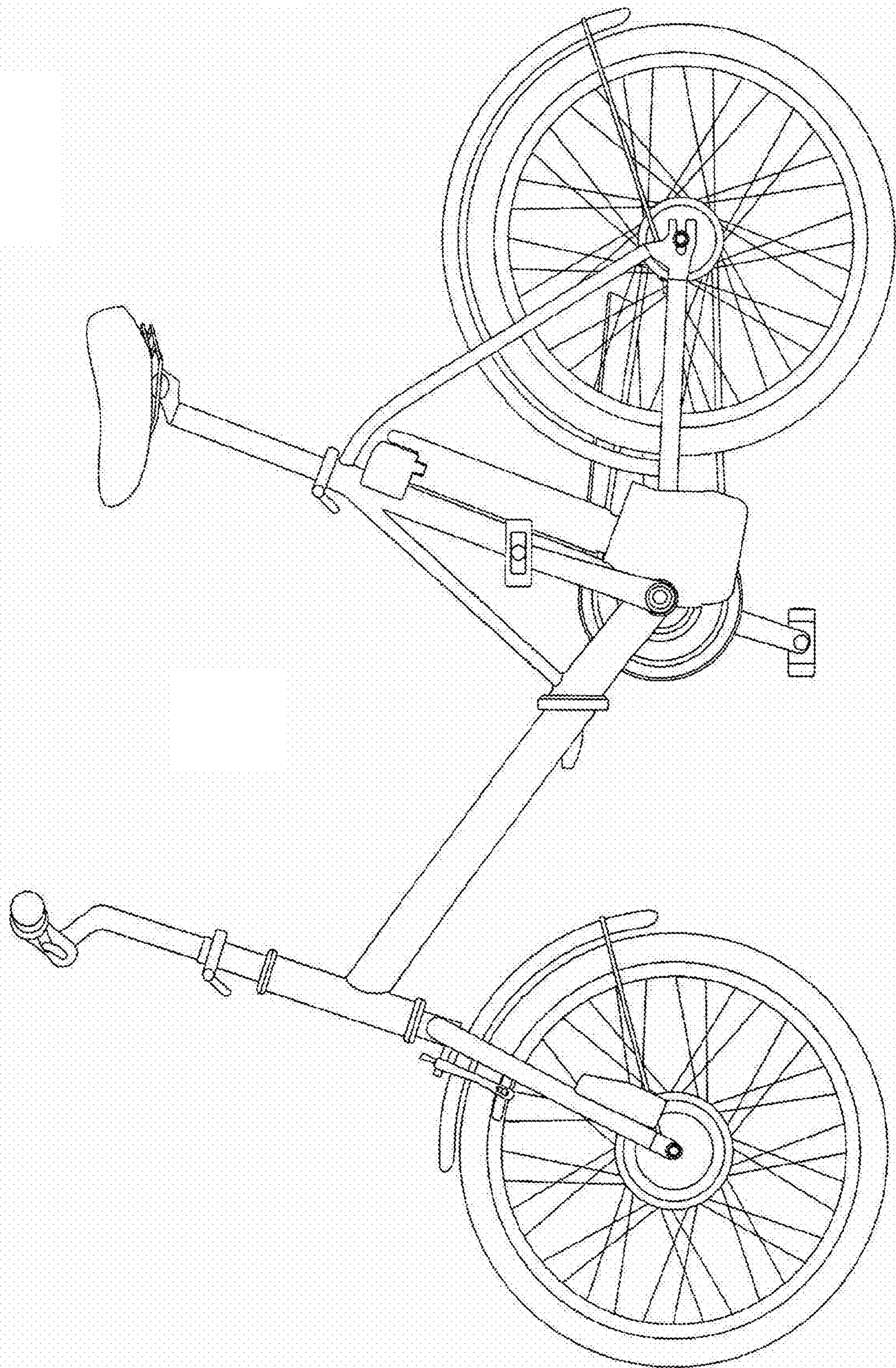


FIG. 6

FIG. 7

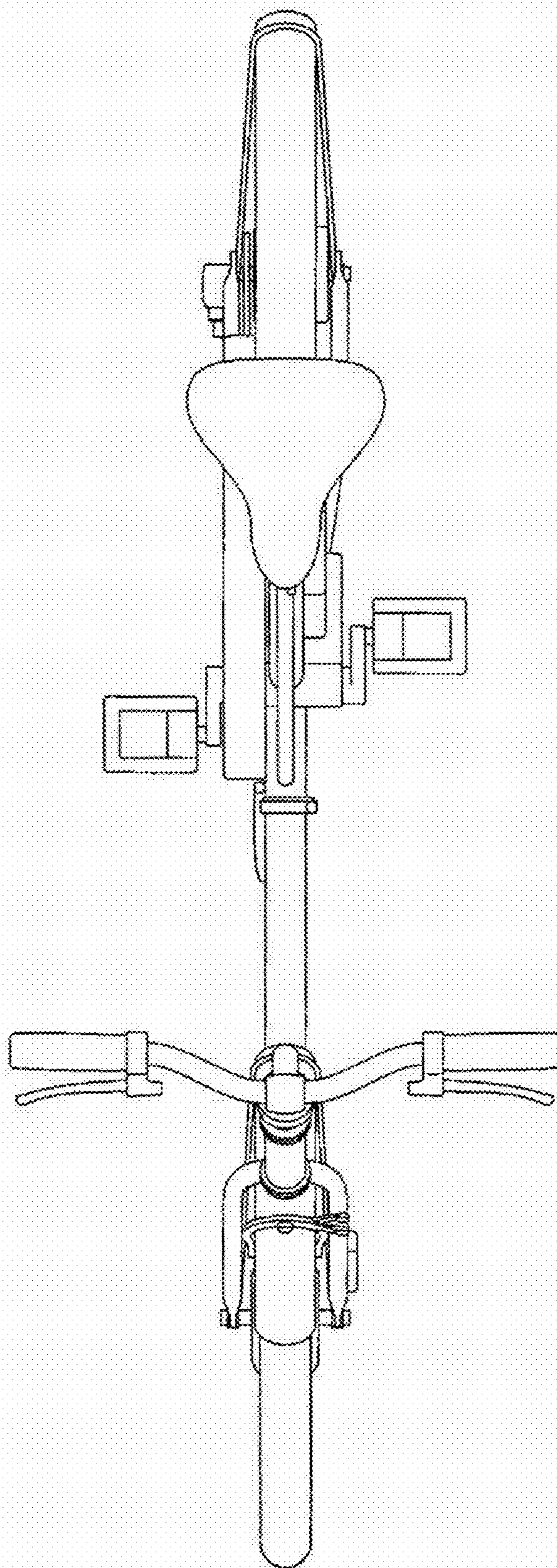


FIG. 8

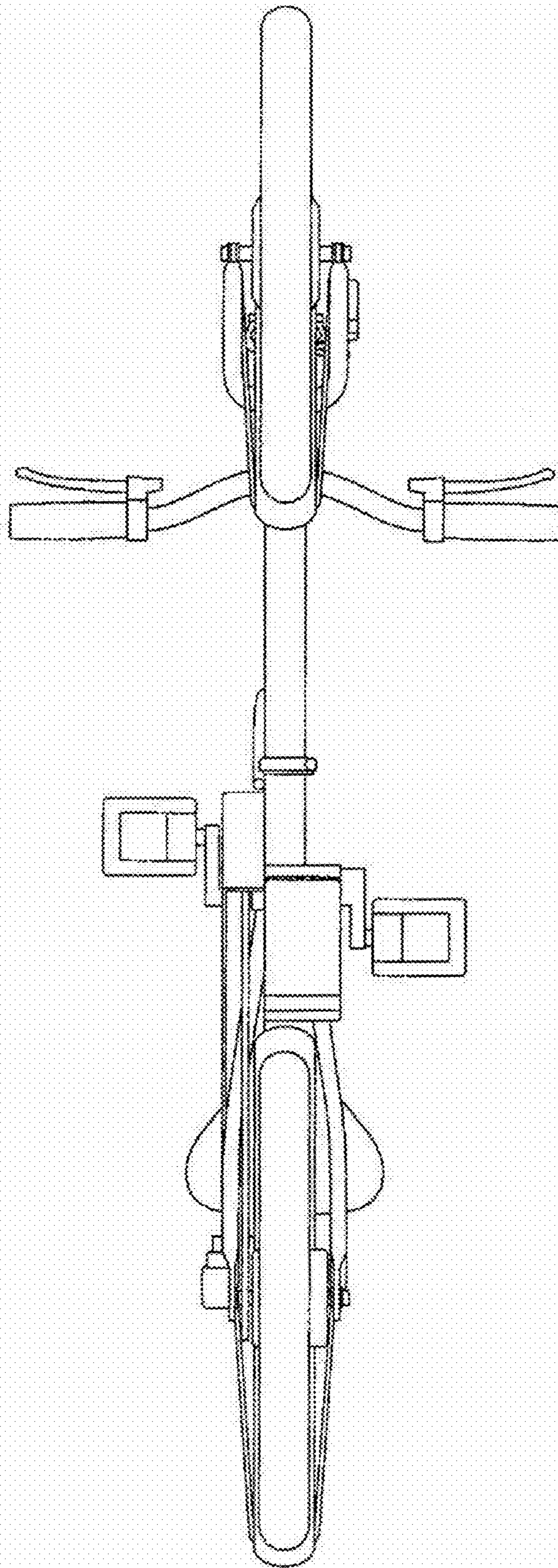


FIG. 9

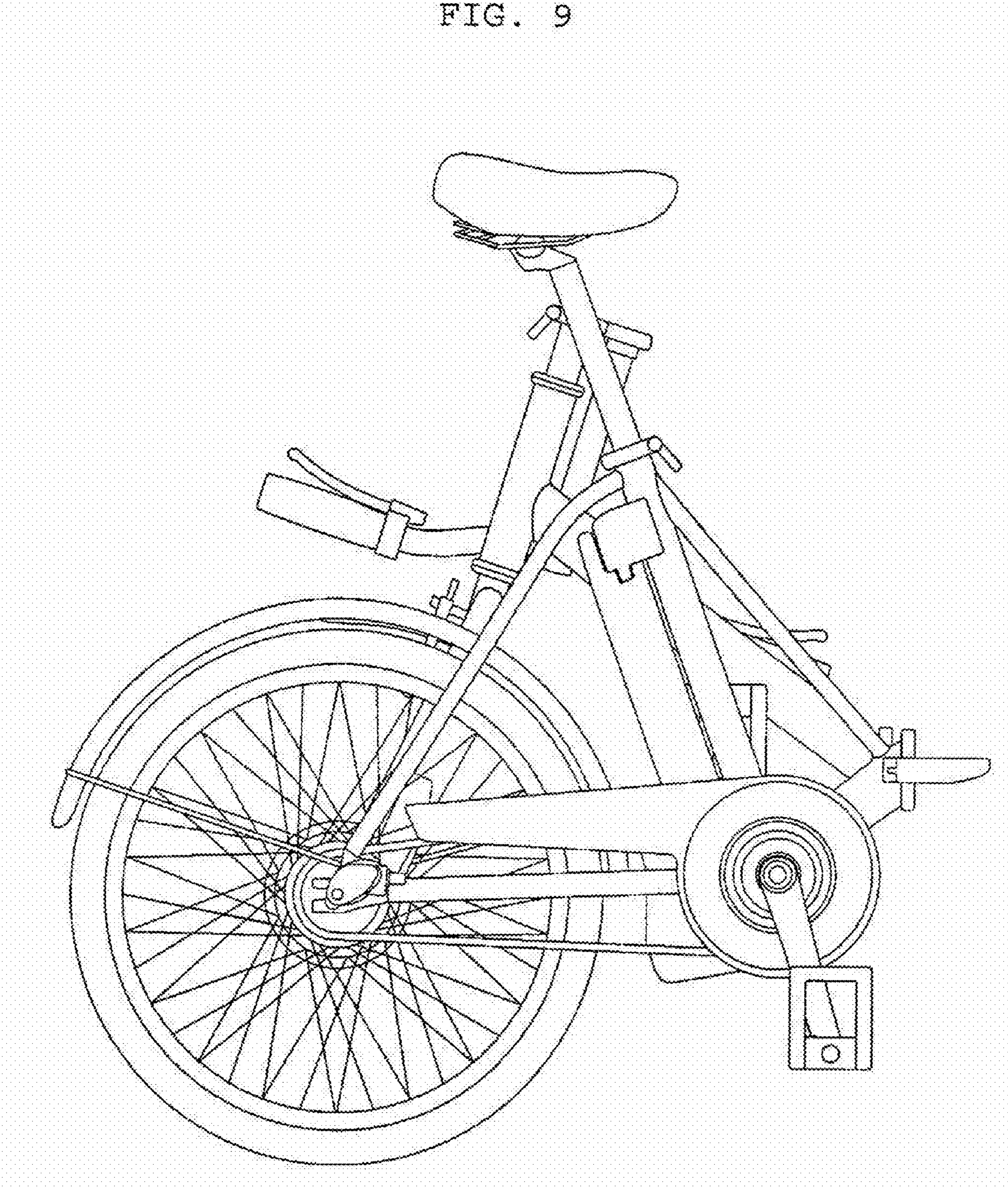


FIG. 10

