



US00D621288S

(12) **United States Design Patent**  
**Cortez et al.**

(10) **Patent No.:** **US D621,288 S**

(45) **Date of Patent:** **\*\* Aug. 10, 2010**

(54) **ARROW TOP DELINEATOR**

(75) Inventors: **Cristopher Alejandro Leon Cortez**,  
Mexicali (MX); **Lorena Quintana**  
**Herrera**, Mexicali (MX)

(73) Assignee: **Custom-Pak, Inc.**, Clinton, IA (US)

(\*\*) Term: **14 Years**

(21) Appl. No.: **29/350,383**

(22) Filed: **Nov. 16, 2009**

(51) **LOC (9) Cl.** ..... **10-05**

(52) **U.S. Cl.** ..... **D10/113**

(58) **Field of Classification Search** ..... D10/113;  
116/200, 63 C, 63 P; 404/9, 10  
See application file for complete search history.

(56) **References Cited**

U.S. PATENT DOCUMENTS

D310,642	S	9/1990	Kulp	
5,036,791	A *	8/1991	Thurston	116/63 C
5,560,732	A	10/1996	Kulp et al.	
D406,543	S *	3/1999	Brown et al.	D10/113
D412,131	S	7/1999	Bent et al.	
6,014,941	A	1/2000	Bent et al.	
D432,935	S	10/2000	Bent et al.	
6,182,600	B1 *	2/2001	Brown et al.	116/63 C
D440,173	S *	4/2001	Cuttill et al.	D10/113
6,536,369	B1	3/2003	Bent et al.	

D474,987	S *	5/2003	Dvoracek	D10/113
D475,315	S *	6/2003	Dvoracek	D10/113
2005/0008433	A1 *	1/2005	Dvoracek	404/9

\* cited by examiner

*Primary Examiner*—Caron Veynar

*Assistant Examiner*—George D Kirschbaum

(74) *Attorney, Agent, or Firm*—St. Onge Steward Johnston & Reens LLC

(57) **CLAIM**

The ornamental design for an arrow top delineator, as shown and described.

**DESCRIPTION**

FIG. 1 is a front perspective view of an arrow top delineator, shown together with an environmental structure, in accordance with the new design;

FIG. 2 is a front perspective view thereof;

FIG. 3 is a front elevation view thereof;

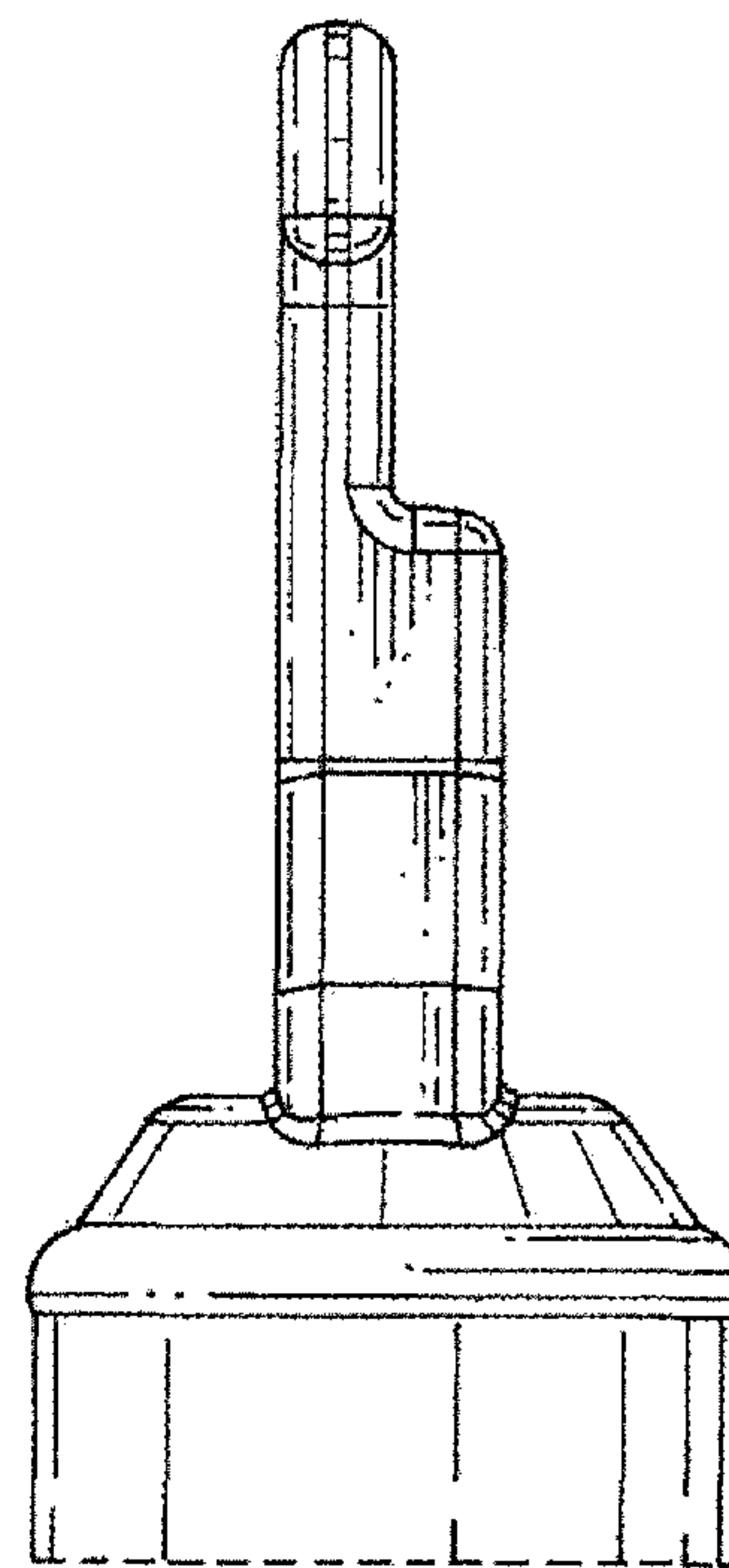
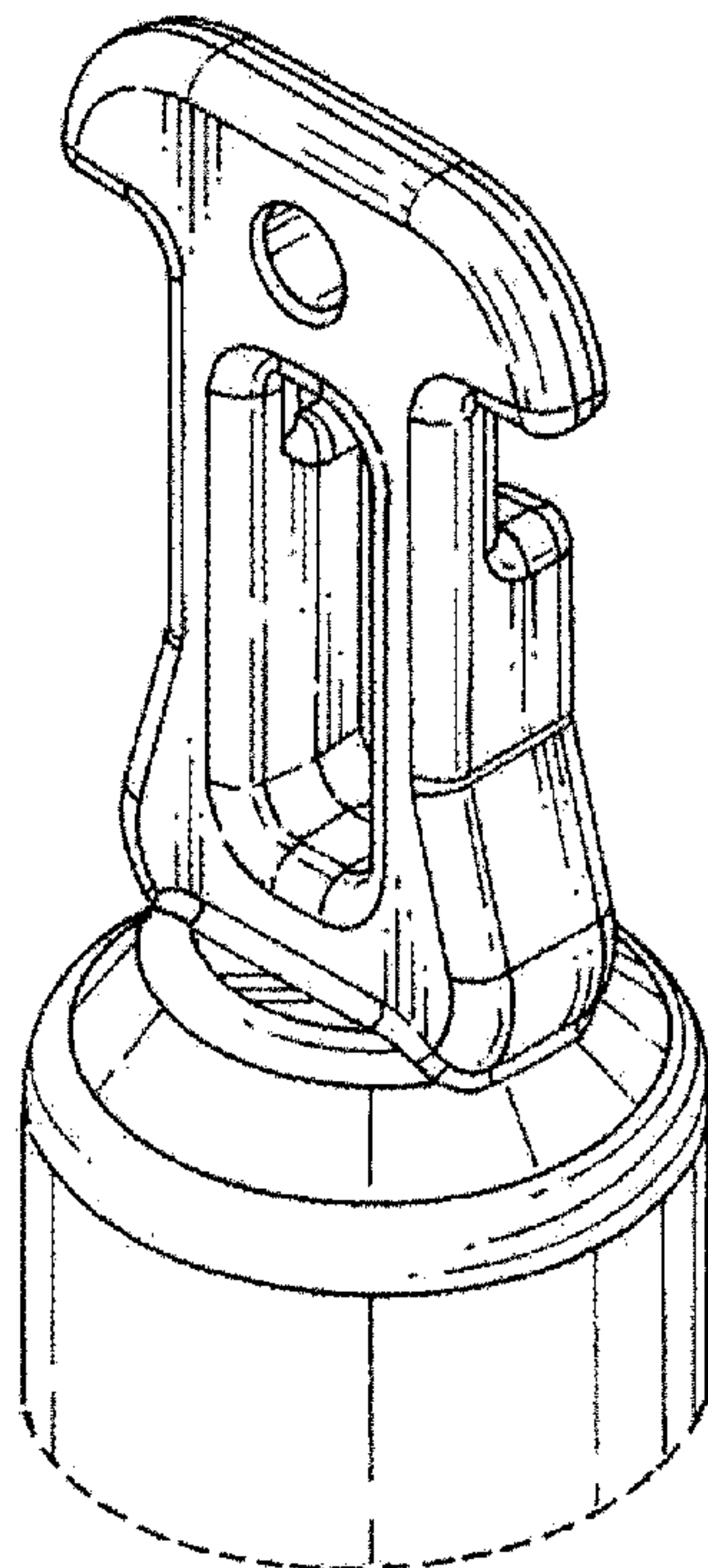
FIG. 4 is a rear elevation view thereof;

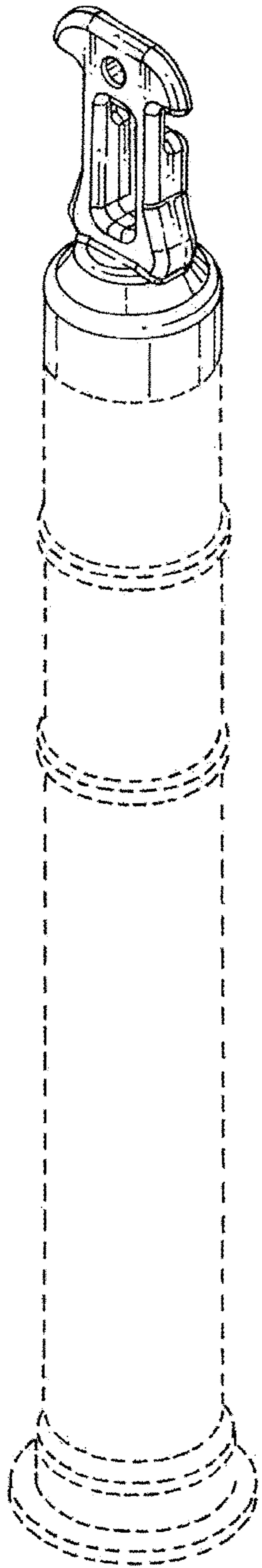
FIG. 5 is a left side elevation view thereof, the right side elevation view being a mirror image thereof; and,

FIG. 6 is a top elevation view thereof.

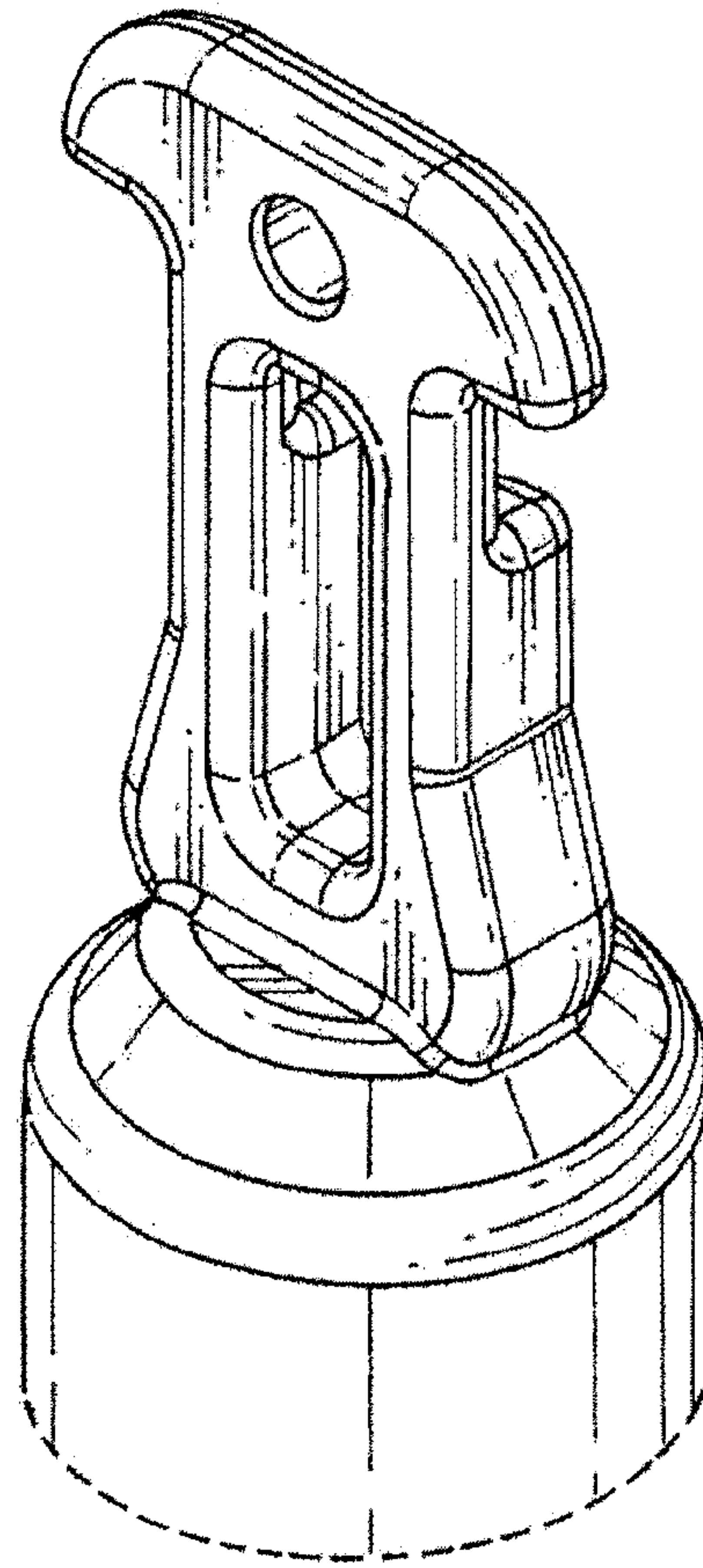
The broken lines shown in FIGS. 1-5 are for illustration purposes only and form no part of the claimed design.

**1 Claim, 3 Drawing Sheets**

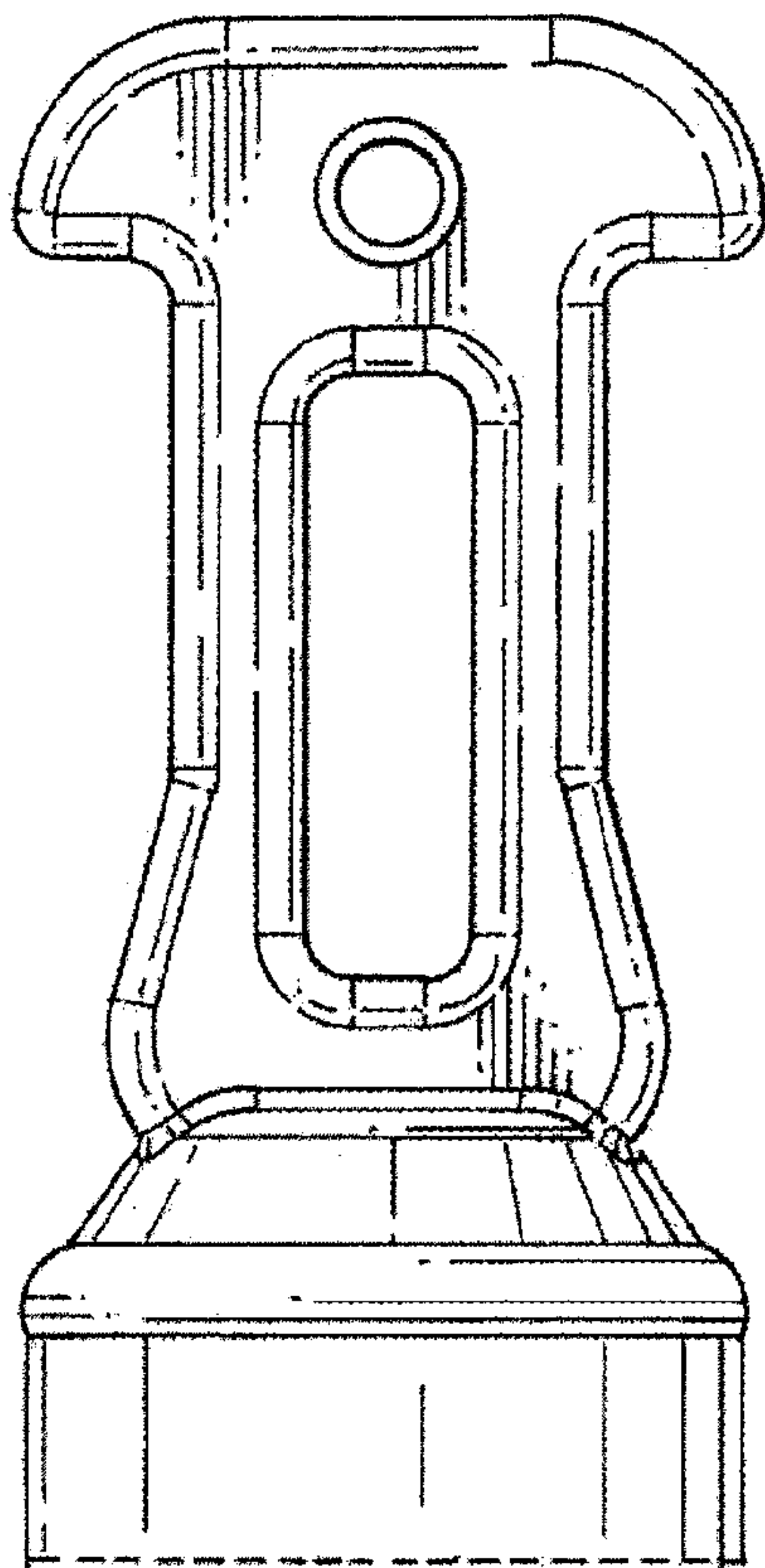




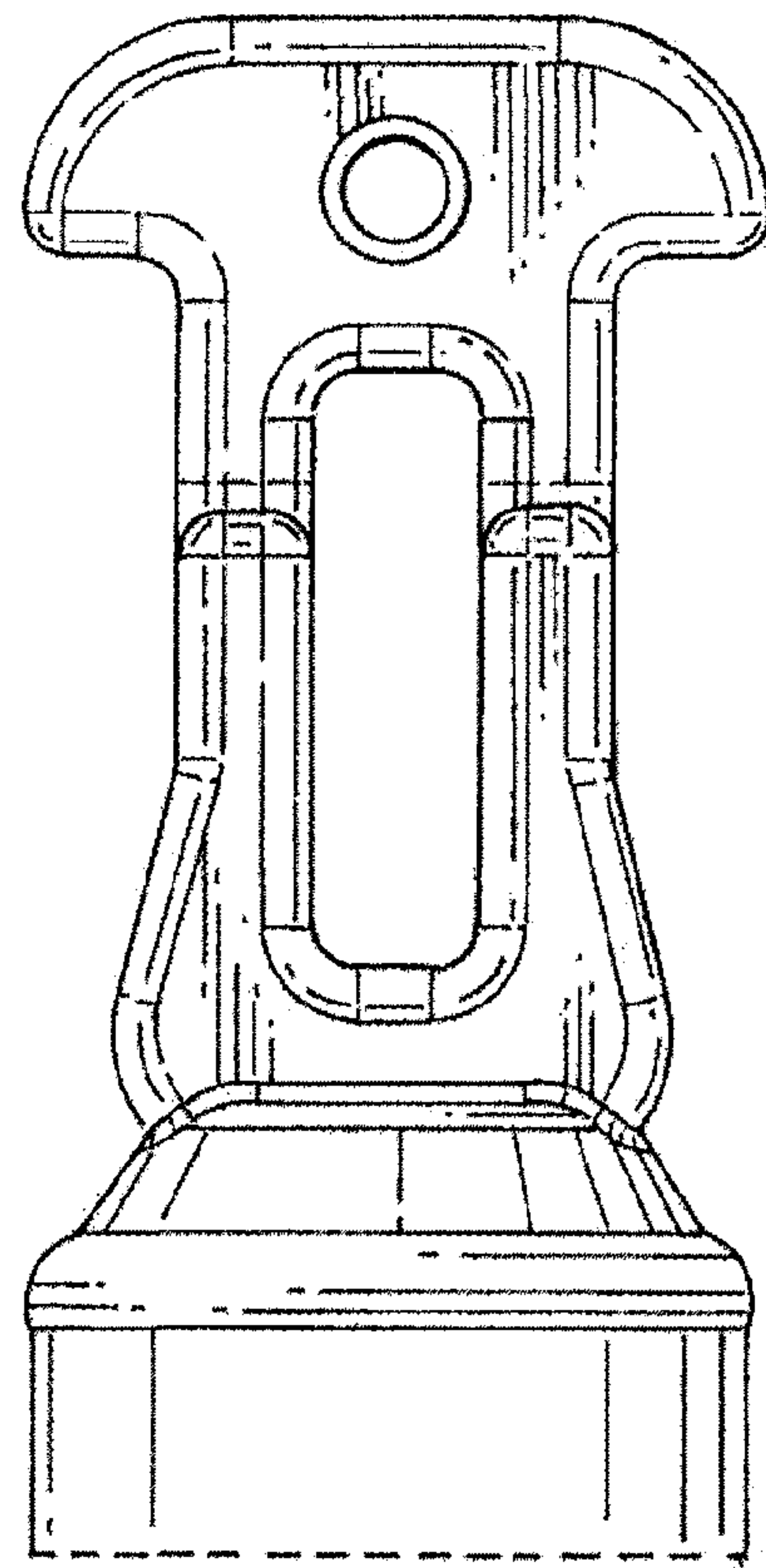
*FIG. 1*



*FIG. 2*

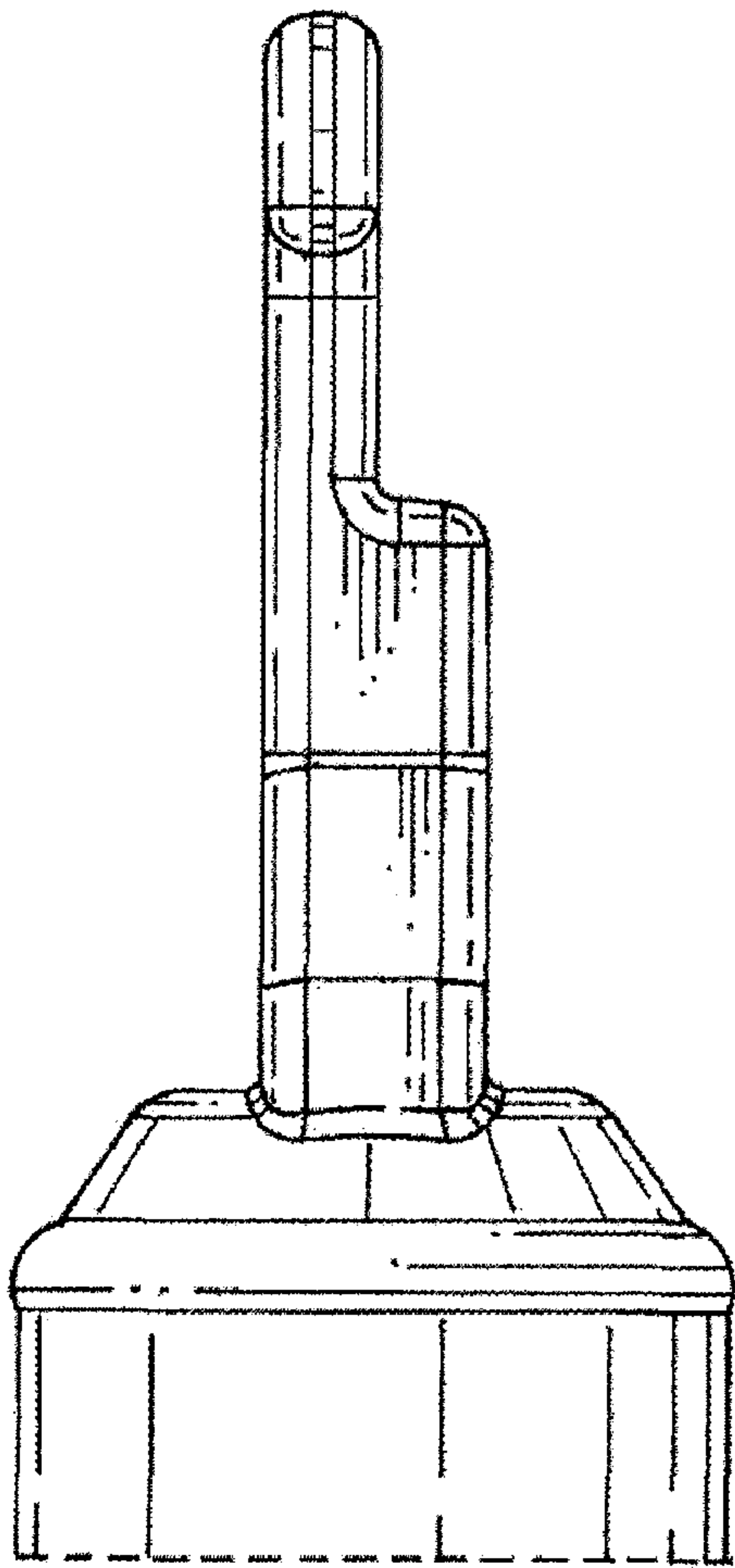


*FIG. 3*

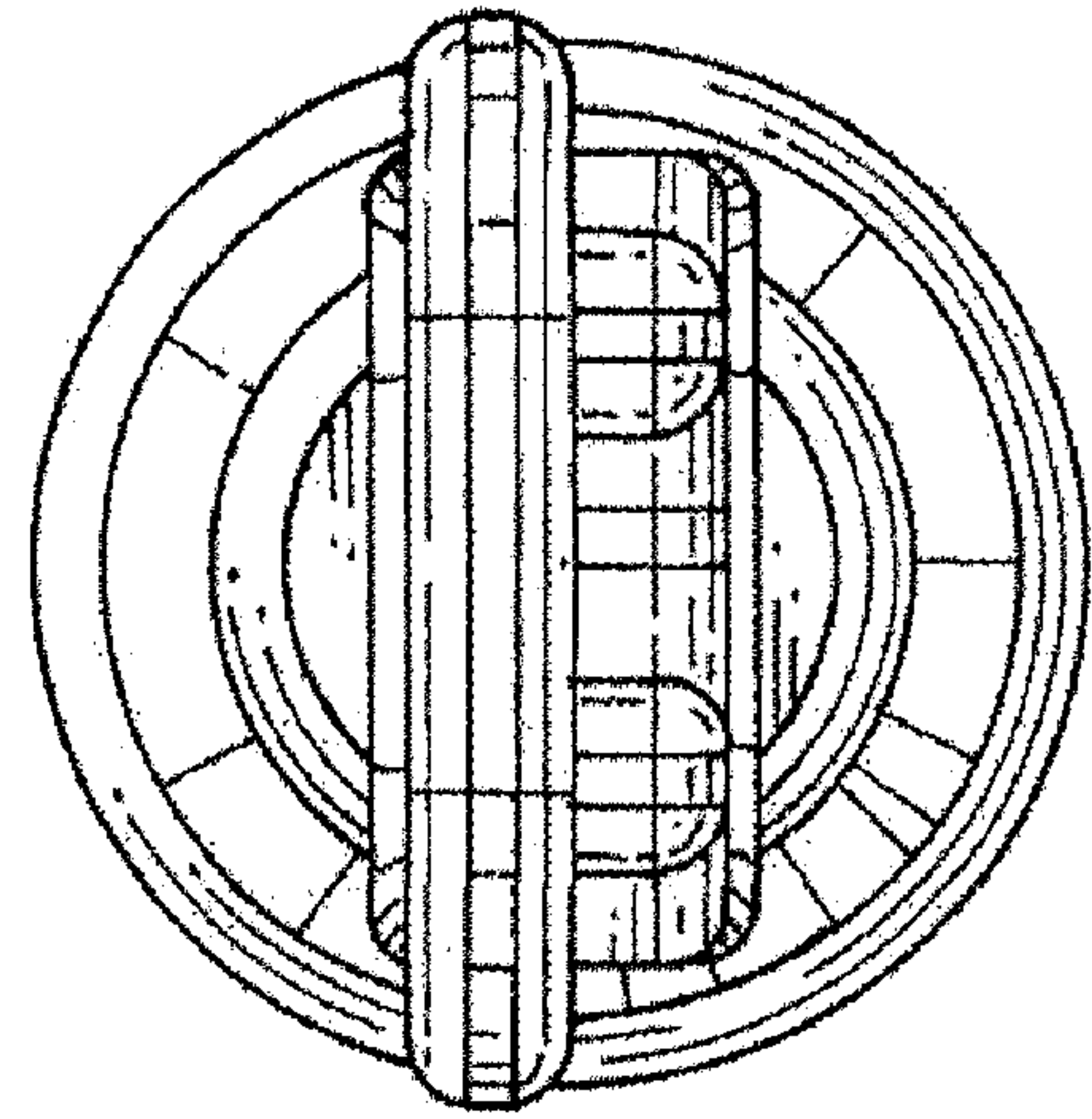


*FIG. 4*





*FIG. 5*



*FIG. 6*