



US00D621287S

(12) **United States Design Patent**
Kaneko et al.

(10) **Patent No.:** **US D621,287 S**

(45) **Date of Patent:** **** Aug. 10, 2010**

(54) **FIRE DETECTOR**

D271,670 S * 12/1983 Takai et al. D10/106
D422,521 S * 4/2000 Morrow D10/106

(75) Inventors: **Hiroshi Kaneko**, Tokyo (JP); **Kazuyoshi Sakurai**, Tokyo (JP); **Nobuyuki Akiyama**, Tokyo (JP); **Akihisa Kudoh**, Tokyo (JP)

* cited by examiner

Primary Examiner—Caron Veynar

Assistant Examiner—George D Kirschbaum

(74) *Attorney, Agent, or Firm*—Young & Thompson

(73) Assignee: **Nittan Company, Limited**, Tokyo (JP)

(**) Term: **14 Years**

(57) **CLAIM**

(21) Appl. No.: **29/325,841**

The ornamental design for a fire detector, as shown and described.

(22) Filed: **Oct. 7, 2008**

(30) **Foreign Application Priority Data**

DESCRIPTION

Apr. 11, 2008 (JP) 2008-009288

FIG. 1 is a perspective view of the front, right and top of a fire detector showing my new design;

(51) **LOC (9) Cl.** **10-05**

FIG. 2 is a front view thereof;

(52) **U.S. Cl.** **D10/106**

FIG. 3 is a rear view thereof;

(58) **Field of Classification Search** D10/46,

FIG. 4 is a left side view thereof, a right side view being a mirror image thereof; and,

D10/104, 106; 340/544, 545, 555, 558, 571-573

See application file for complete search history.

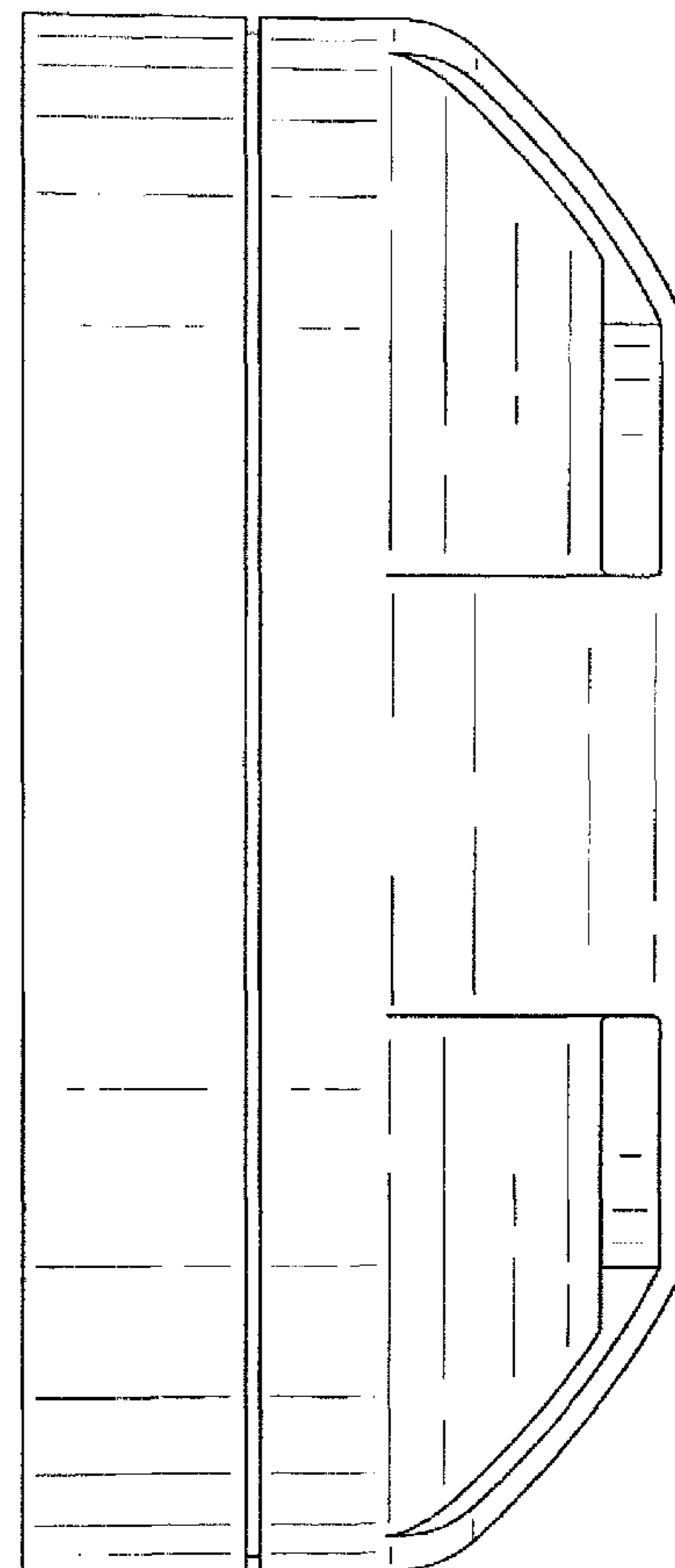
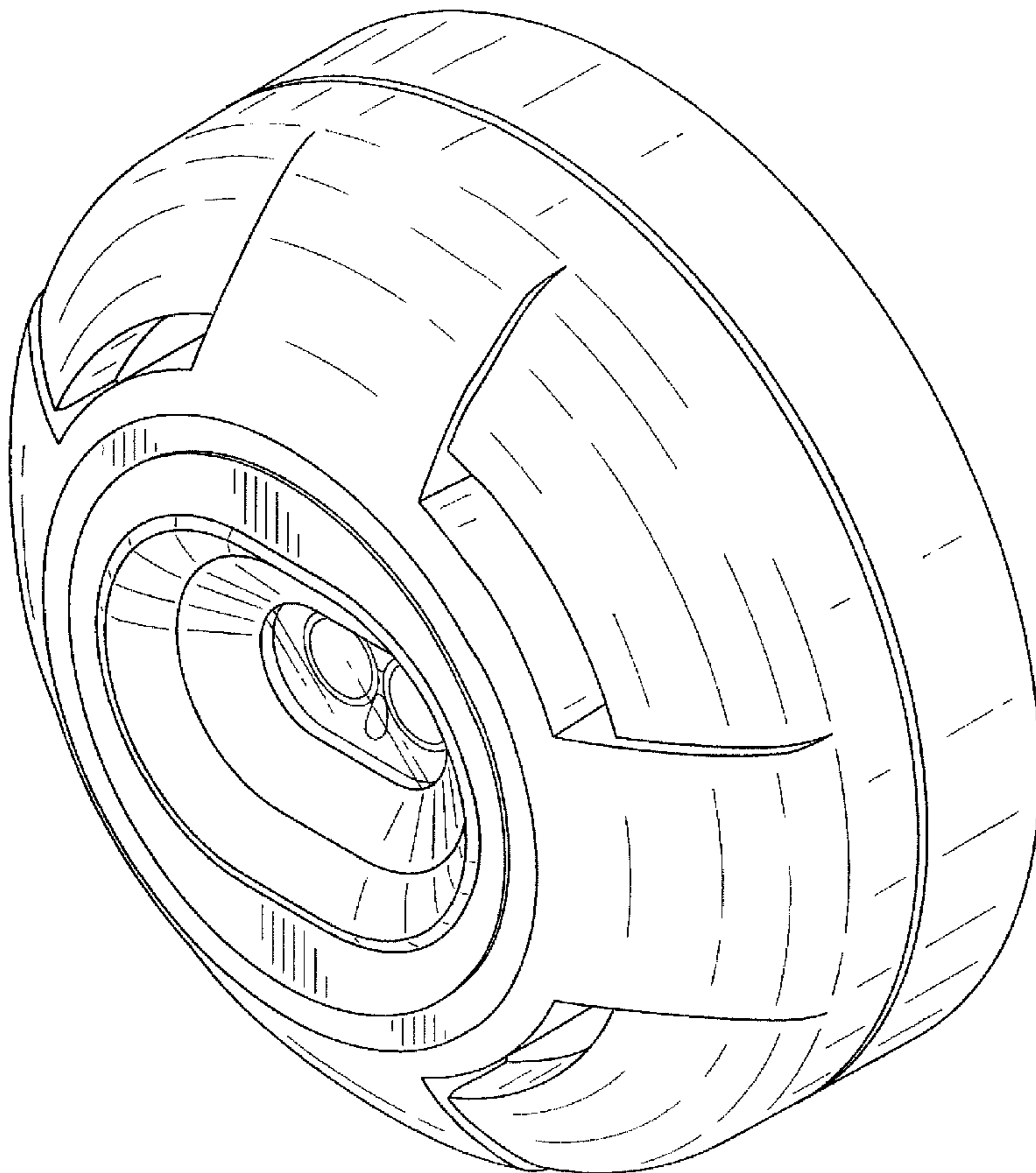
FIG. 5 is a top plan view thereof, a bottom view being a mirror image thereof.

(56) **References Cited**

U.S. PATENT DOCUMENTS

4,238,788 A * 12/1980 Rosauer et al. 340/515

1 Claim, 5 Drawing Sheets



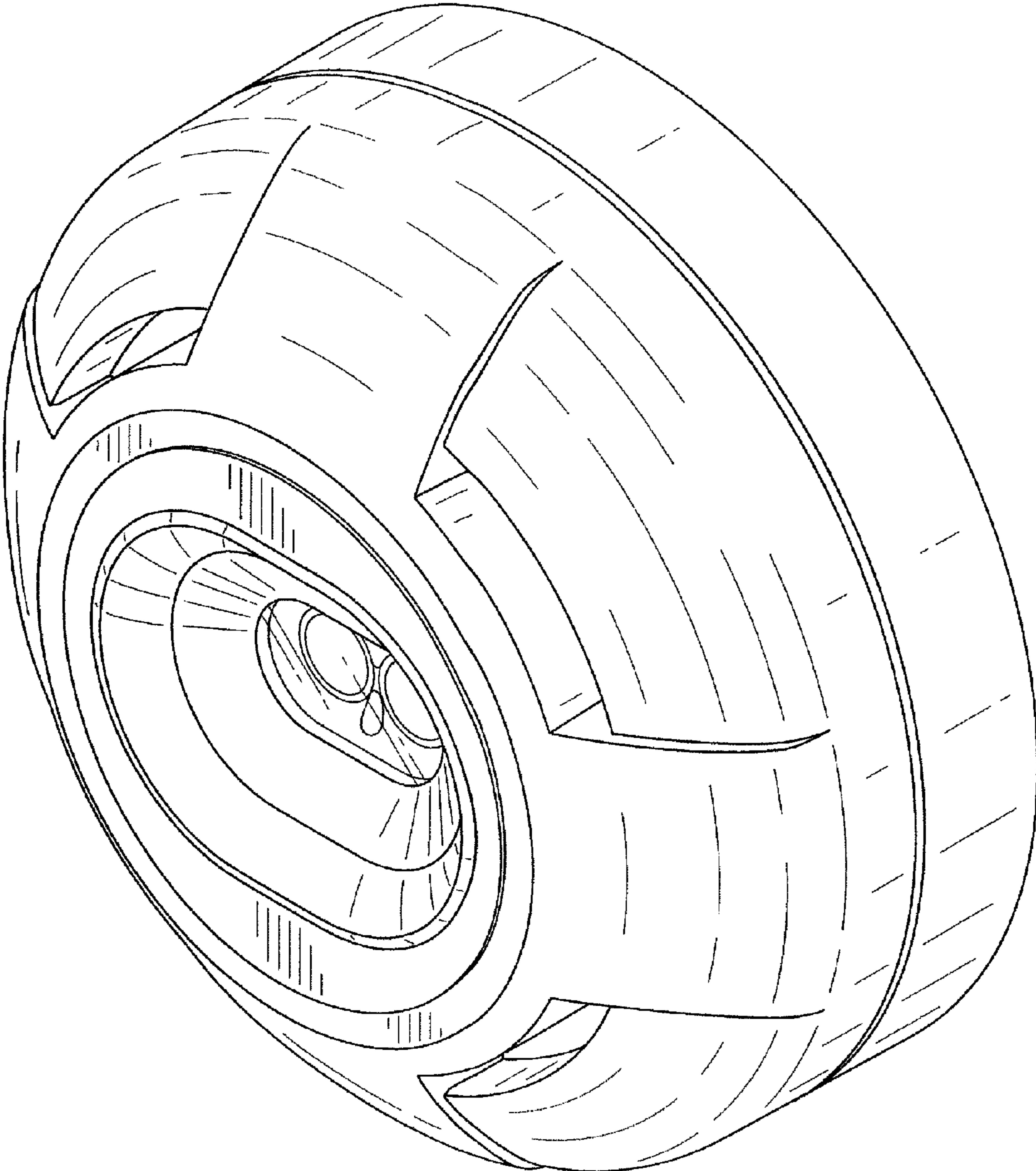


FIG. 1

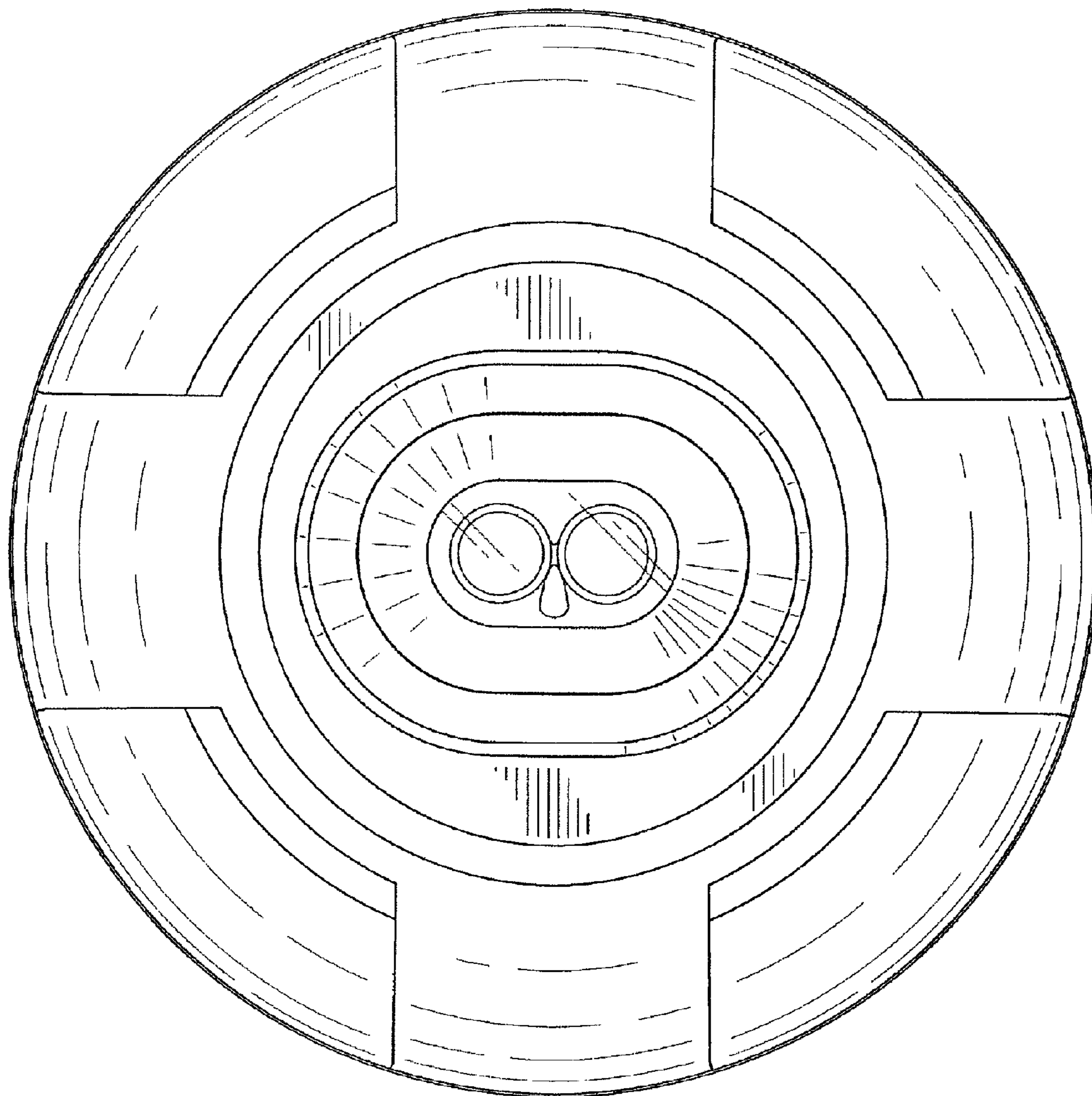


FIG. 2

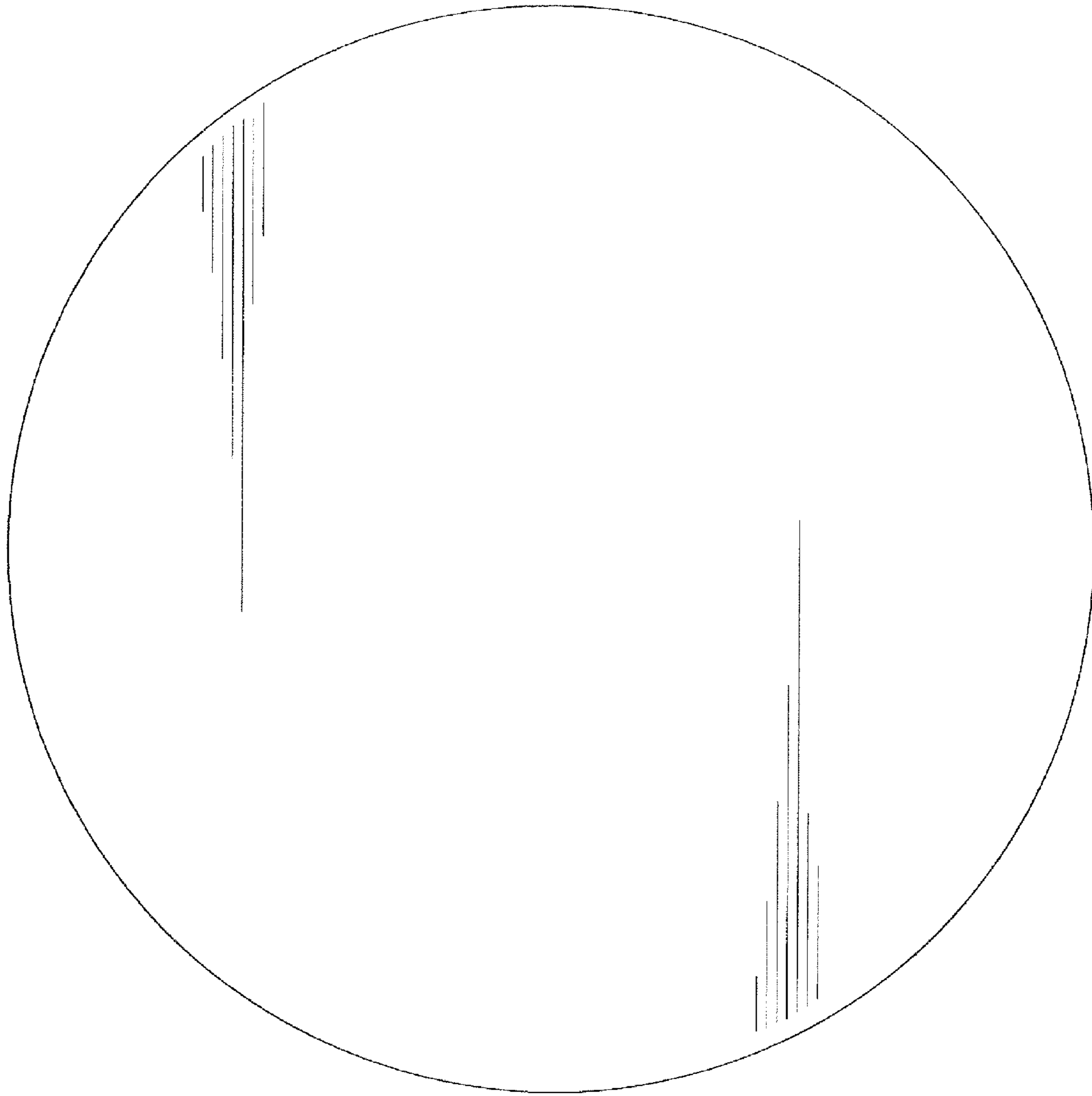


FIG. 3

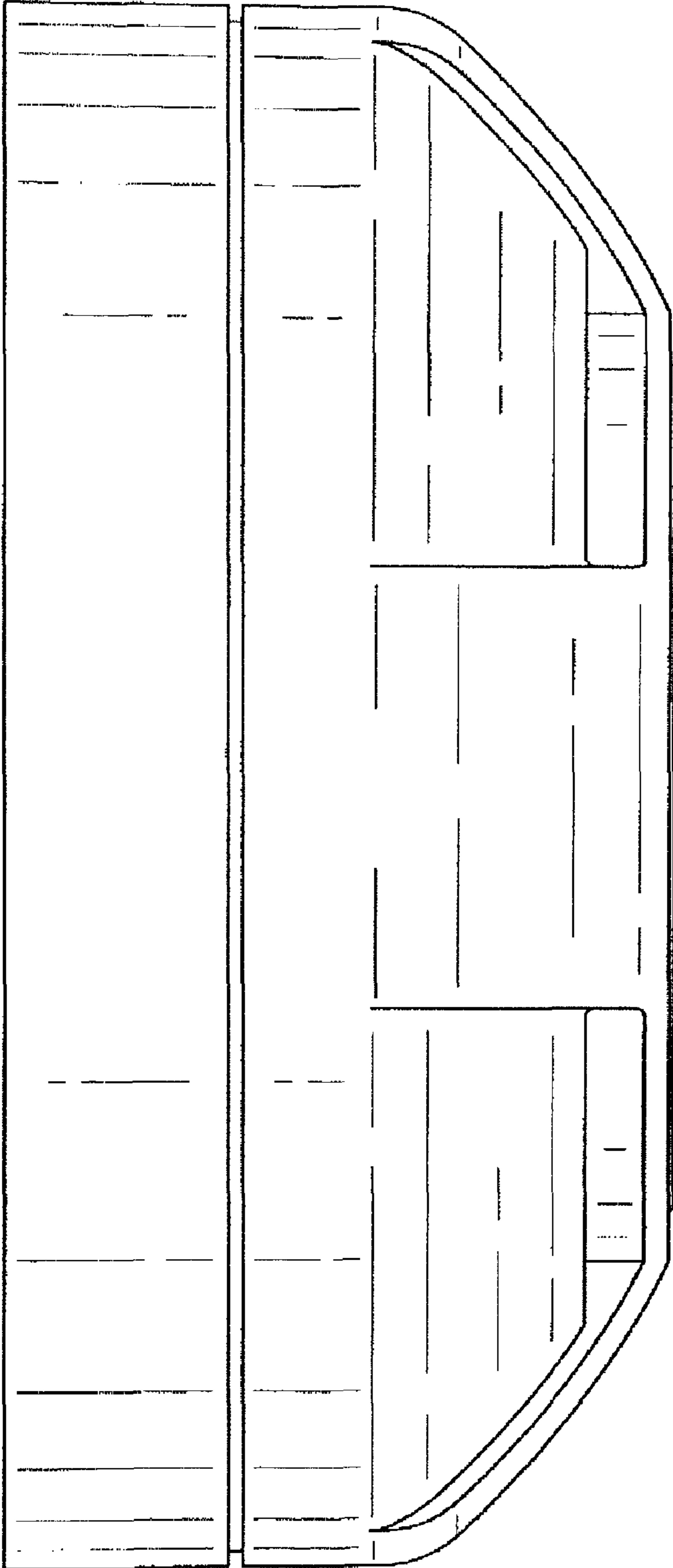


FIG. 4

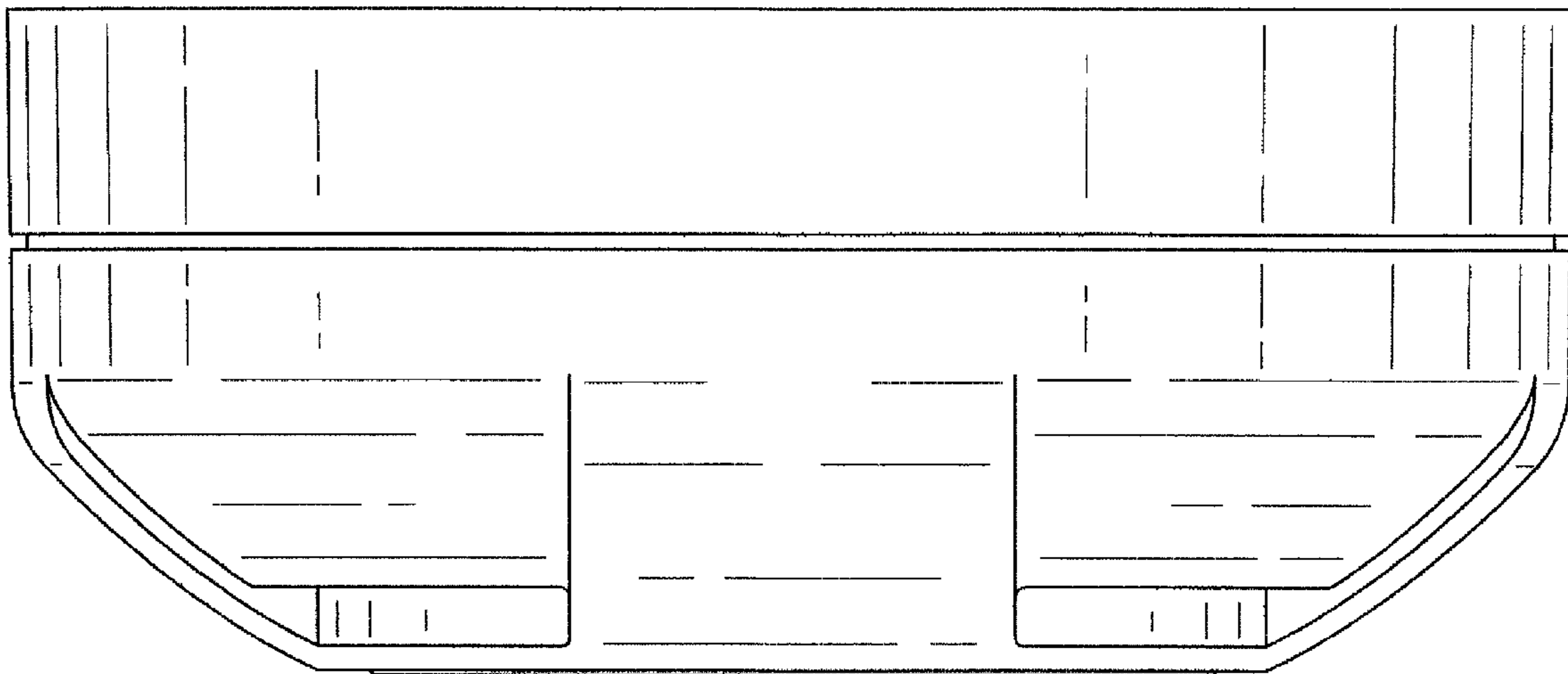


FIG. 5