



US00D621284S

(12) **United States Design Patent**
Cerrato

(10) **Patent No.:** **US D621,284 S**

(45) **Date of Patent:** **** Aug. 10, 2010**

(54) **WATCH CASE**

(75) Inventor: **Davide Cerrato**, Geneva (CH)

(73) Assignee: **Montres Tudor SA**, Geneva (CH)

(**) Term: **14 Years**

(21) Appl. No.: **29/344,229**

(22) Filed: **Sep. 25, 2009**

(30) **Foreign Application Priority Data**

Mar. 25, 2009 (CH) 135968

(51) **LOC (9) Cl.** **10-02**

(52) **U.S. Cl.** **D10/38**

(58) **Field of Classification Search** D10/30-39,
D10/122-132; 368/276, 281, 282, 285, 294,
368/295, 319, 308, 288

See application file for complete search history.

(56) **References Cited**

U.S. PATENT DOCUMENTS

D195,421 S *	6/1963	Hueguenin	D10/39
3,475,902 A *	11/1969	Wessel	368/10
3,740,944 A *	6/1973	Chopard	368/281
3,901,023 A *	8/1975	Uebelhardt	368/281
D264,945 S *	6/1982	Pennell	D10/32
5,077,708 A *	12/1991	Schneider	368/107
D349,653 S *	8/1994	Giardiello	D10/30
D371,082 S *	6/1996	Oba	D10/39
D380,969 S *	7/1997	Houlihan	D10/30
D388,204 S *	12/1997	Oba	D10/39
D415,694 S *	10/1999	Fichter	D10/30
D445,344 S *	7/2001	Haquet	D10/30
D487,229 S *	3/2004	Monachon	D10/32

D525,537 S *	7/2006	Monachon	D10/32
D538,182 S *	3/2007	Lalo	D10/32
D543,886 S *	6/2007	Pandel	D10/128
D568,769 S *	5/2008	Emch Ducommun	D10/32
D569,276 S *	5/2008	Scheufele	D10/39
D569,742 S *	5/2008	Scheufele	D10/39
D574,733 S *	8/2008	Blair	D10/32
D577,610 S *	9/2008	Emch Ducommun	D10/32
D579,350 S *	10/2008	Calvani	D10/39
D588,475 S *	3/2009	Calvani	D10/39
D592,975 S *	5/2009	Markl	D10/32
D599,680 S *	9/2009	Schoepfer	D10/32
D605,533 S *	12/2009	Schoepfer	D10/38
D607,755 S *	1/2010	Kummer et al.	D10/38

* cited by examiner

Primary Examiner—Lucy Lieberman

(74) *Attorney, Agent, or Firm*—Sughrue Mion, PLLC

(57) **CLAIM**

The ornamental design for watch case, as shown and described.

DESCRIPTION

FIG. 1 is a front and right side perspective view of a watch case showing my new design:

FIG. 2 is a front elevation thereof;

FIG. 3 is a rear elevation thereof;

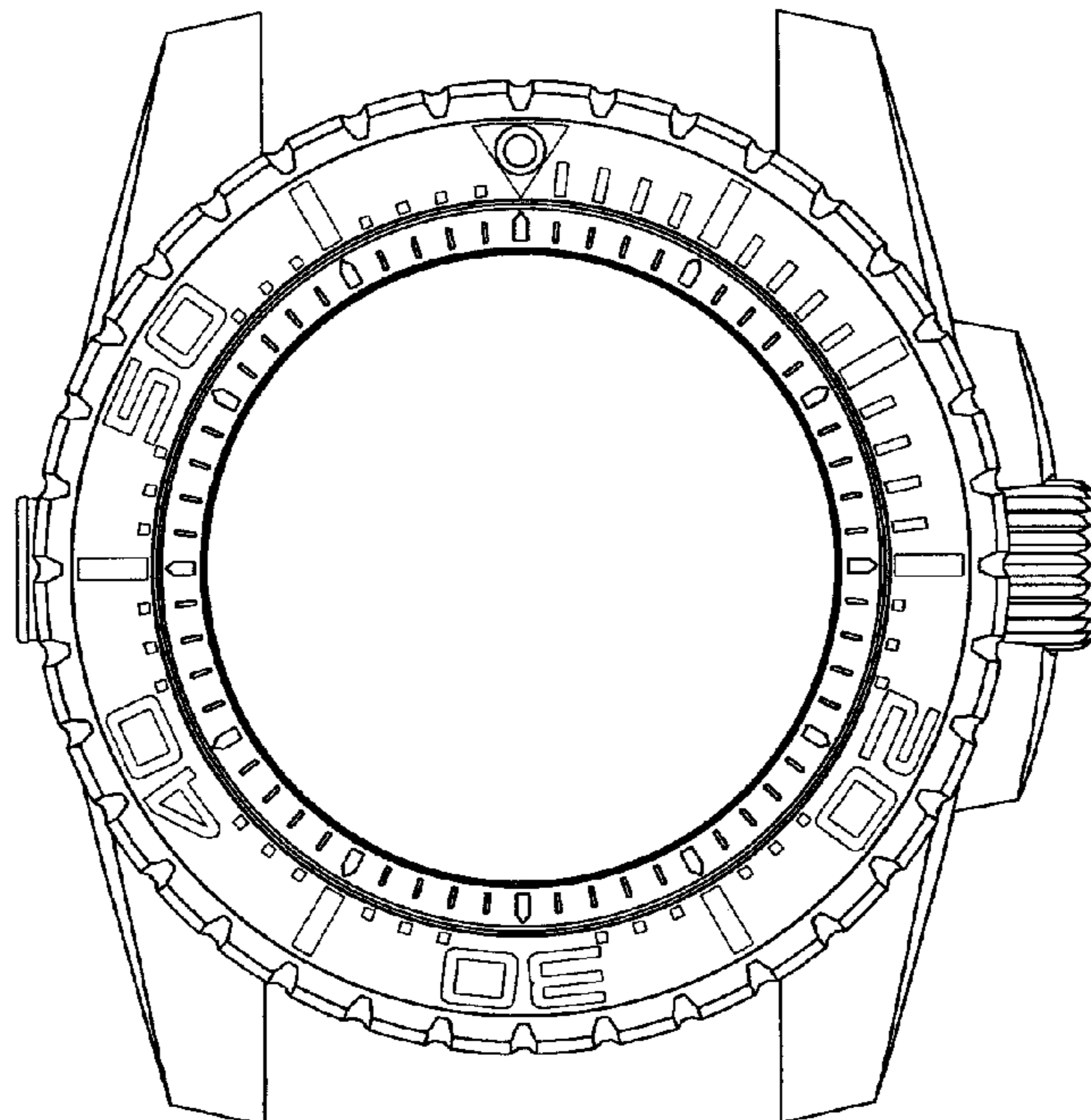
FIG. 4 is a bottom view thereof;

FIG. 5 is a top view thereof;

FIG. 6 is a right side view thereof; and,

FIG. 7 is a left side view thereof.

1 Claim, 4 Drawing Sheets



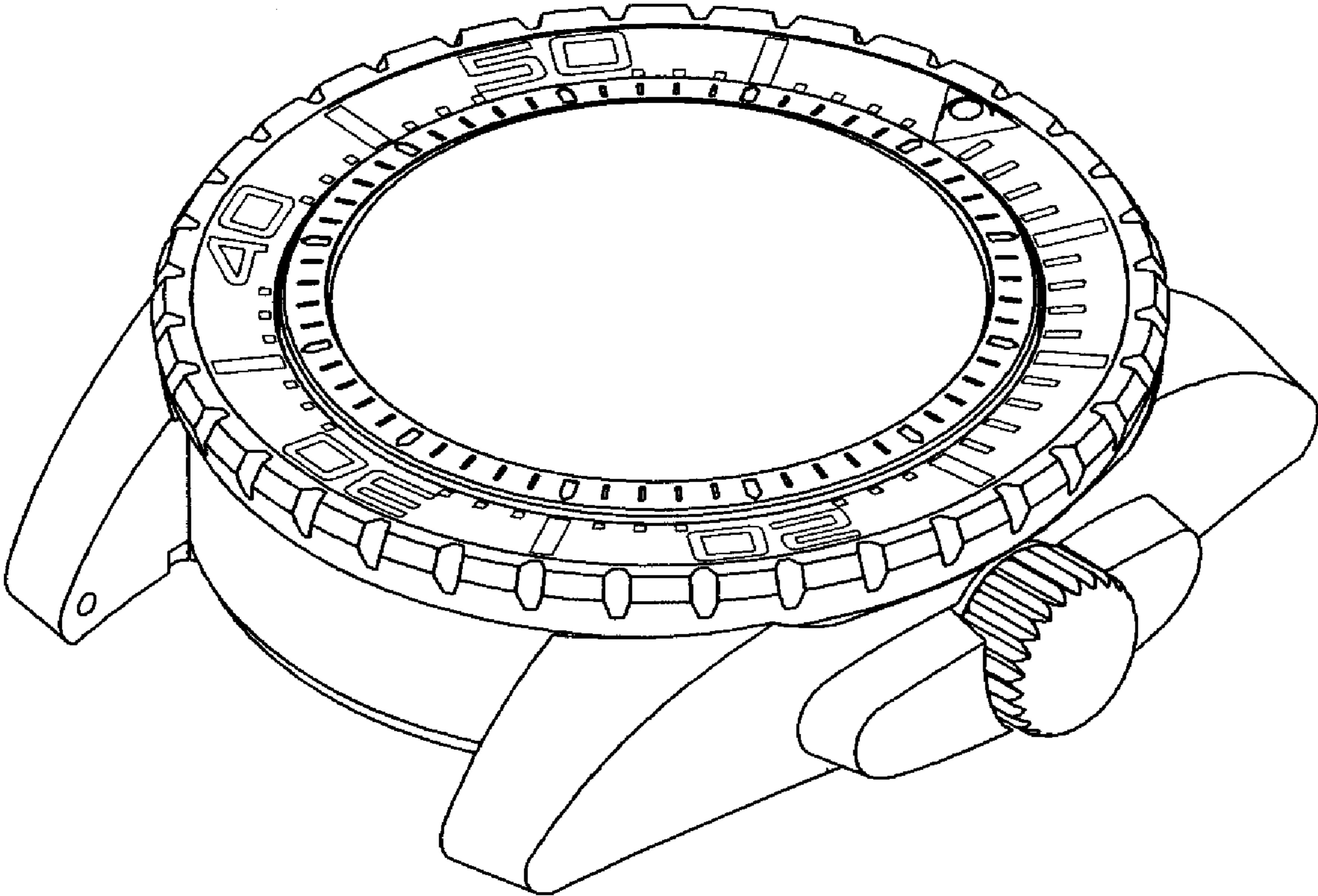


FIG. 1

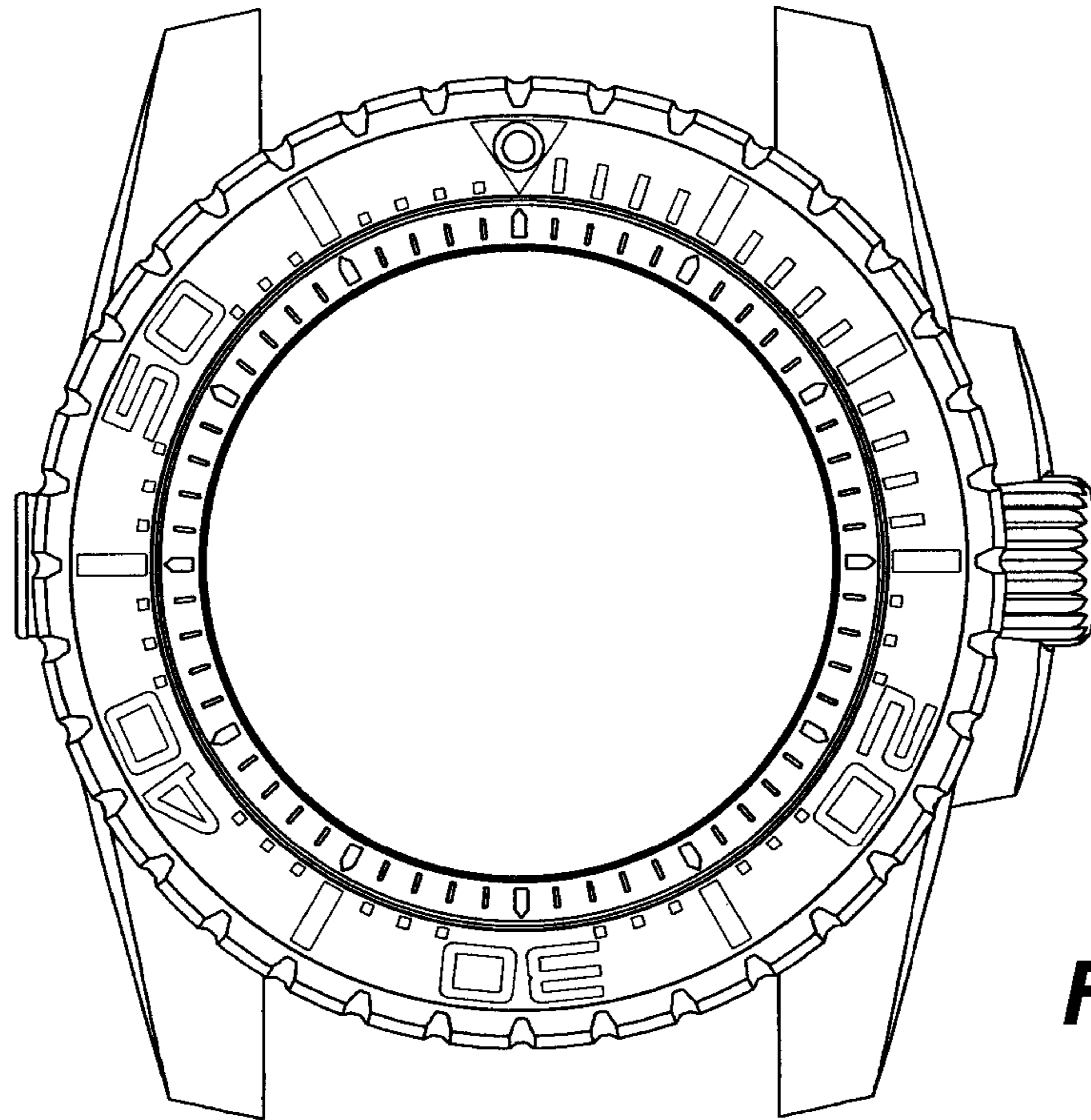


FIG. 2

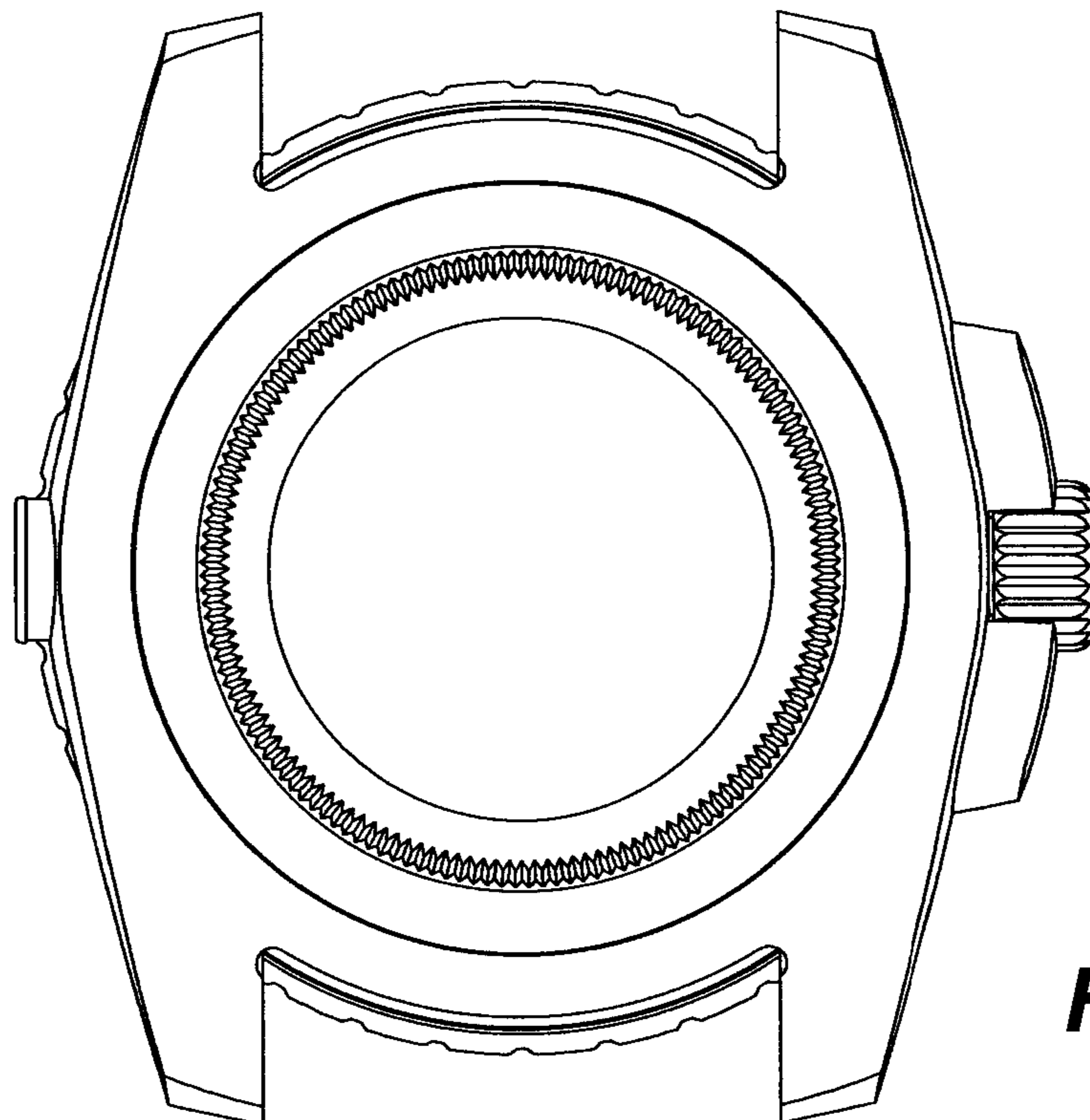


FIG. 3

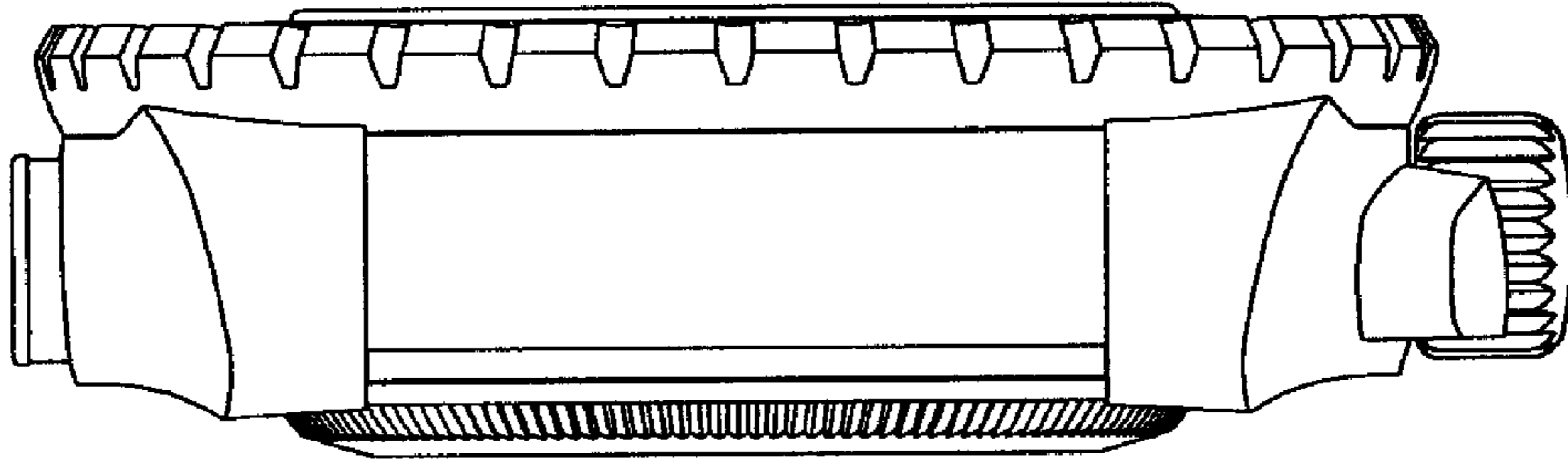


FIG. 4

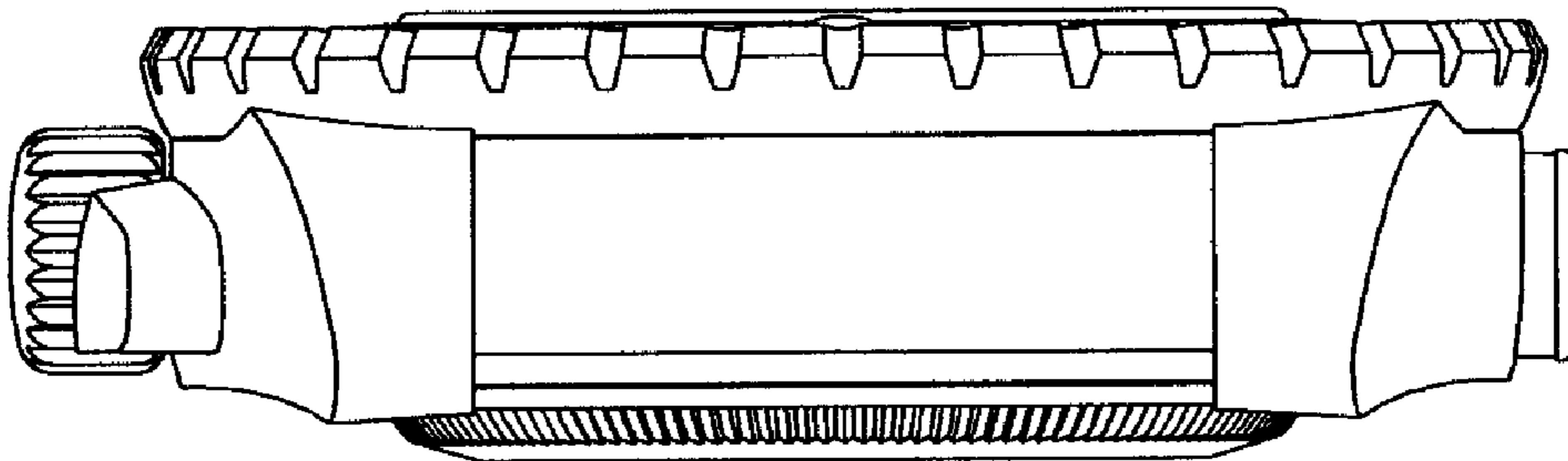


FIG. 5

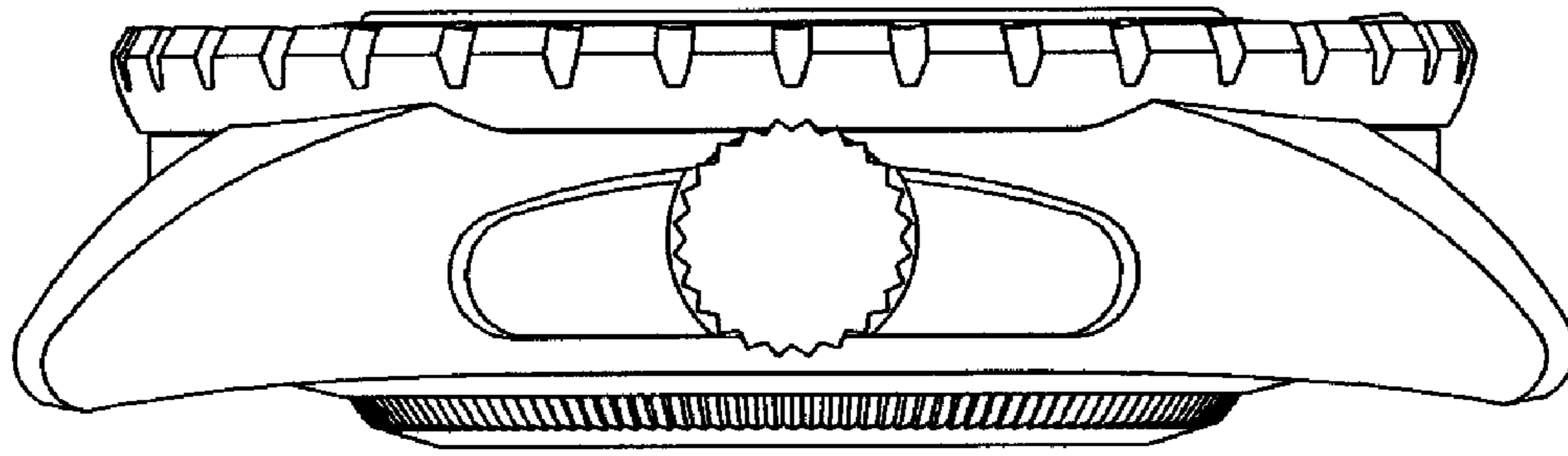


FIG. 6

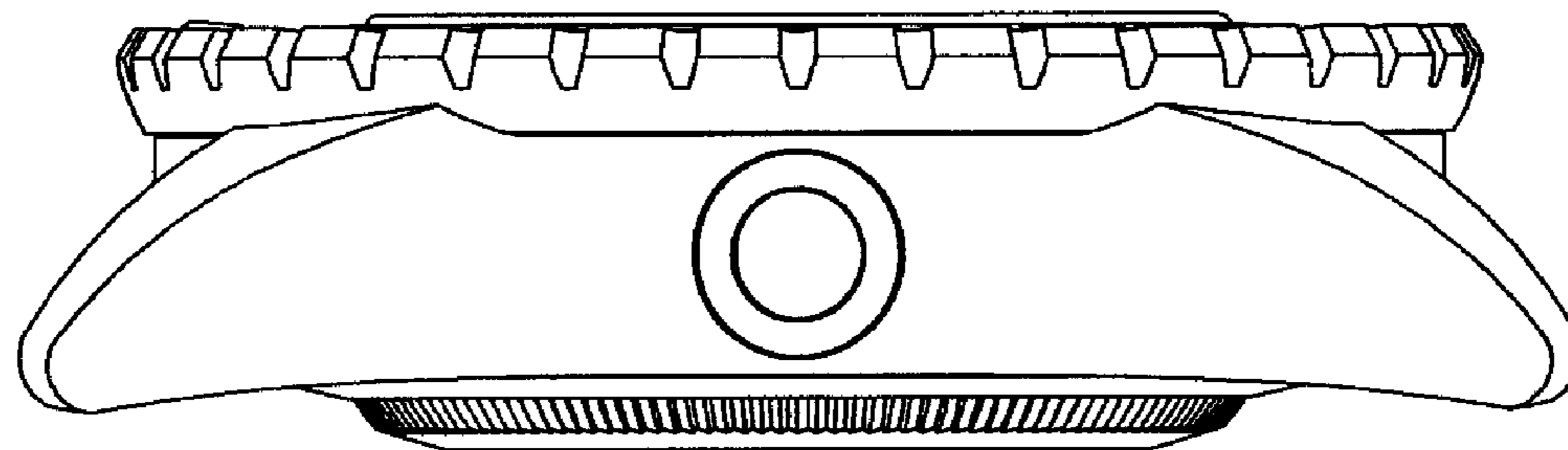


FIG. 7