



US00D621282S

(12) **United States Design Patent**
Yagi

(10) **Patent No.:** **US D621,282 S**

(45) **Date of Patent:** **** *Aug. 10, 2010**

(54) **PACKAGING SLEEVE**

(75) Inventor: **Tod Yagi**, Huntington Beach, CA (US)

(73) Assignee: **Western Digital Technologies, Inc.**,
Lake Forest, CA (US)

(**) Term: **14 Years**

(21) Appl. No.: **29/350,409**

(22) Filed: **Nov. 16, 2009**

(51) **LOC (9) Cl.** **09-05**

(52) **U.S. Cl.** **D9/711**

(58) **Field of Classification Search** D9/643,
D9/707, 713, 703, 711, 720, 414, 416, 424,
D9/425, 430, 432, 433, 721; 206/822, 457;
220/890; 229/116.1, 87.05, 87.01, 87.19,
229/87.15, 92, 92.1, 92.7; 215/400; 383/109
See application file for complete search history.

(56) **References Cited**

U.S. PATENT DOCUMENTS

D53,723 S *	8/1919	Wilkins	D9/713
D84,965 S *	8/1931	Walters	D9/713
D203,627 S *	2/1966	Tamarin	D9/713
D319,179 S	8/1991	Holder		
D353,322 S	12/1994	Oshry et al.		
D356,731 S *	3/1995	Nakaizumi	D9/713
D430,487 S	9/2000	Prochaska		
D447,938 S	9/2001	Tsuruishi et al.		
D494,853 S *	8/2004	Chan	D9/704
D498,667 S *	11/2004	Clark	D9/703
D509,728 S	9/2005	Kato		
D514,365 S	2/2006	Ballantine		

D515,134 S	2/2006	Stewart, III		
D547,673 S *	7/2007	Glass	D9/704
D582,791 S *	12/2008	Elmerhaus	D9/721
D592,075 S *	5/2009	Holcomb	D9/721
D592,526 S *	5/2009	Maude et al.	D9/713
D601,418 S	10/2009	Bone et al.		
D603,718 S	11/2009	Kusumi et al.		

* cited by examiner

Primary Examiner—Caron Veynar
Assistant Examiner—Abraham Bahta

(57) **CLAIM**

The ornamental design for a packaging sleeve, as shown and described.

DESCRIPTION

FIG. 1 is a front right perspective view of a packaging sleeve with a product and optional wrapper being shown in broken lines;

FIG. 2 is a front right perspective view thereof;

FIG. 3 is a front view thereof;

FIG. 4 is a back view thereof;

FIG. 5 is a right side view thereof;

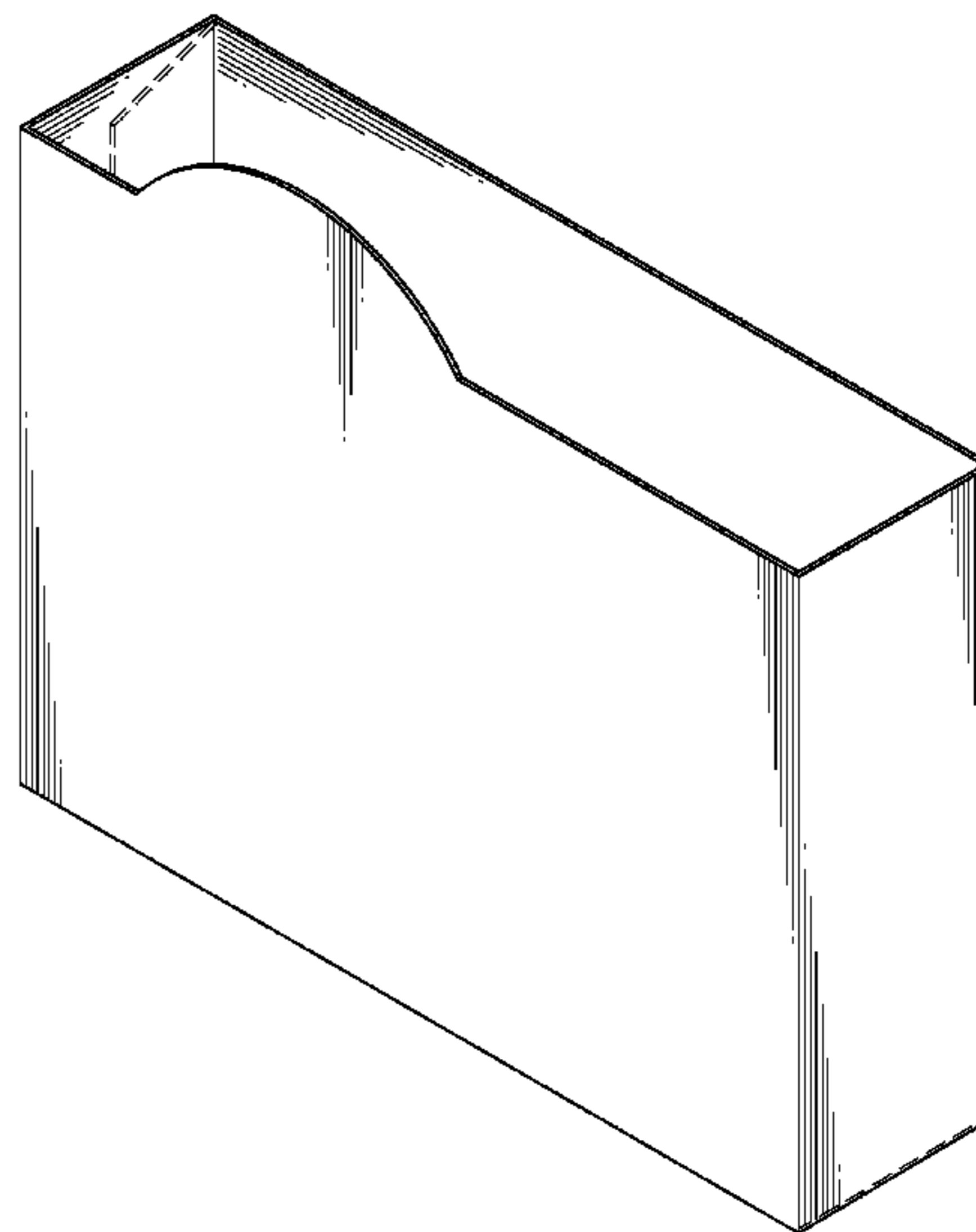
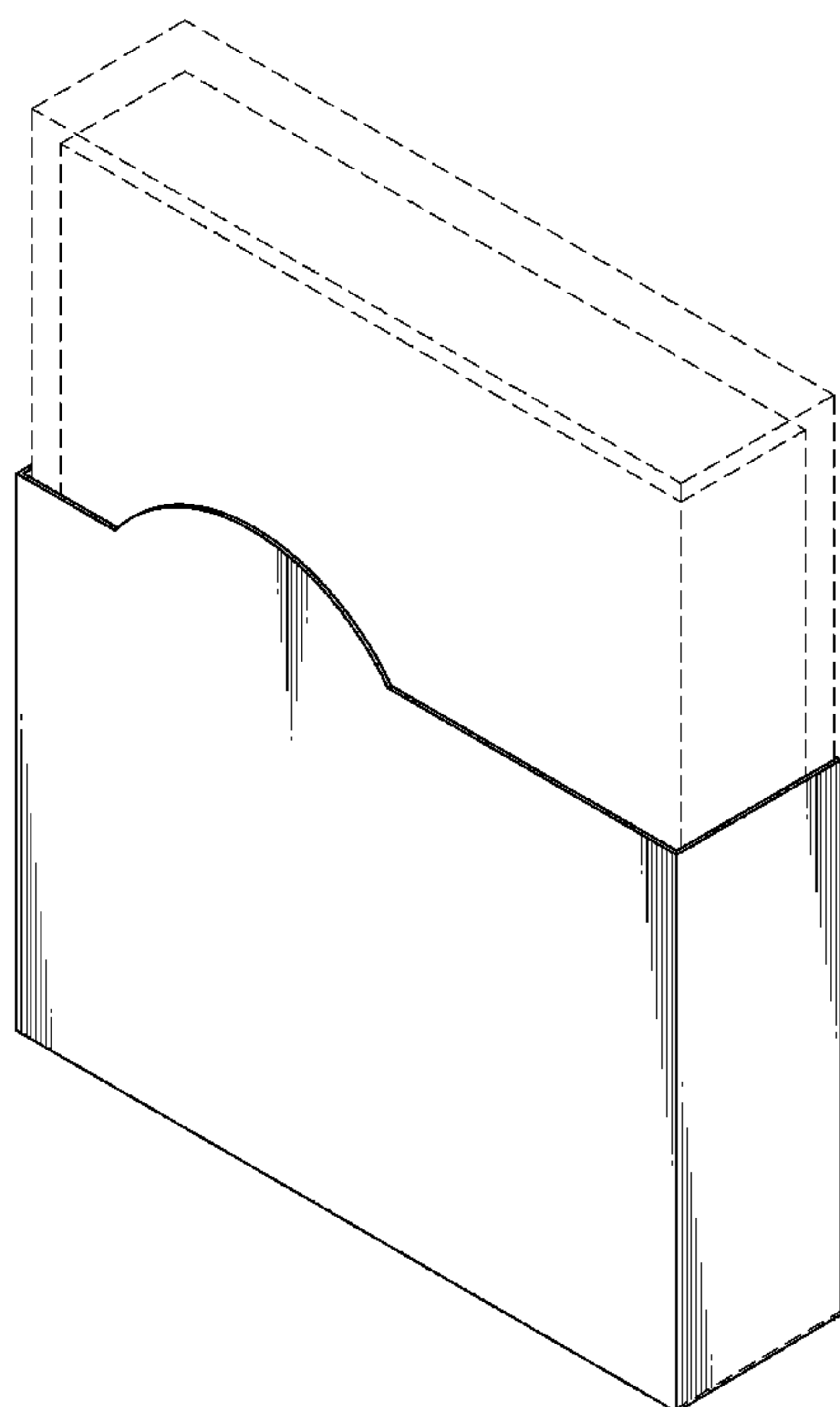
FIG. 6 is a left side view thereof;

FIG. 7 is a top plan view thereof; and,

FIG. 8 is a bottom plan view thereof.

The broken line showing of environment is included for the purpose of illustrating environment only and forms no part of the claimed design.

1 Claim, 6 Drawing Sheets



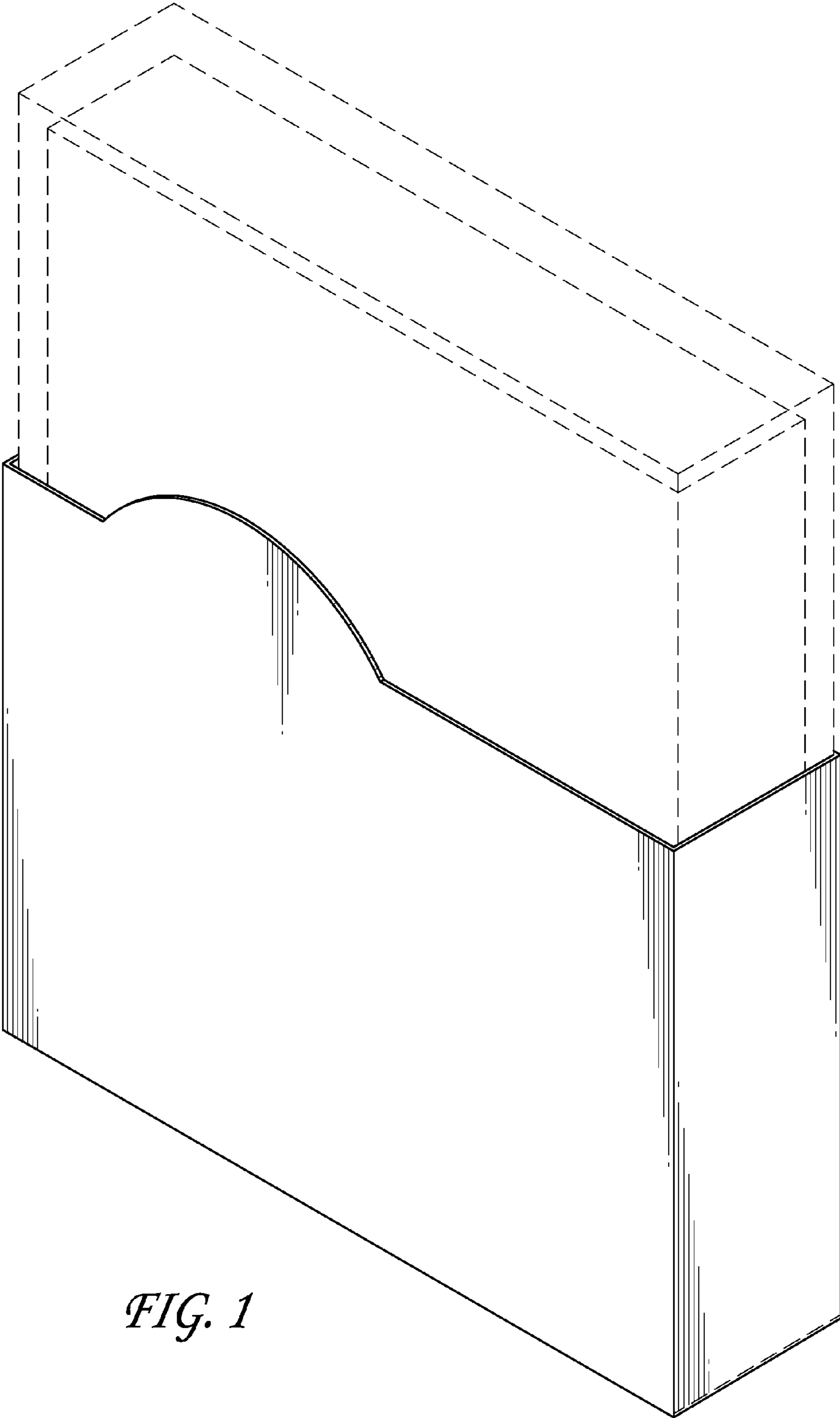


FIG. 1

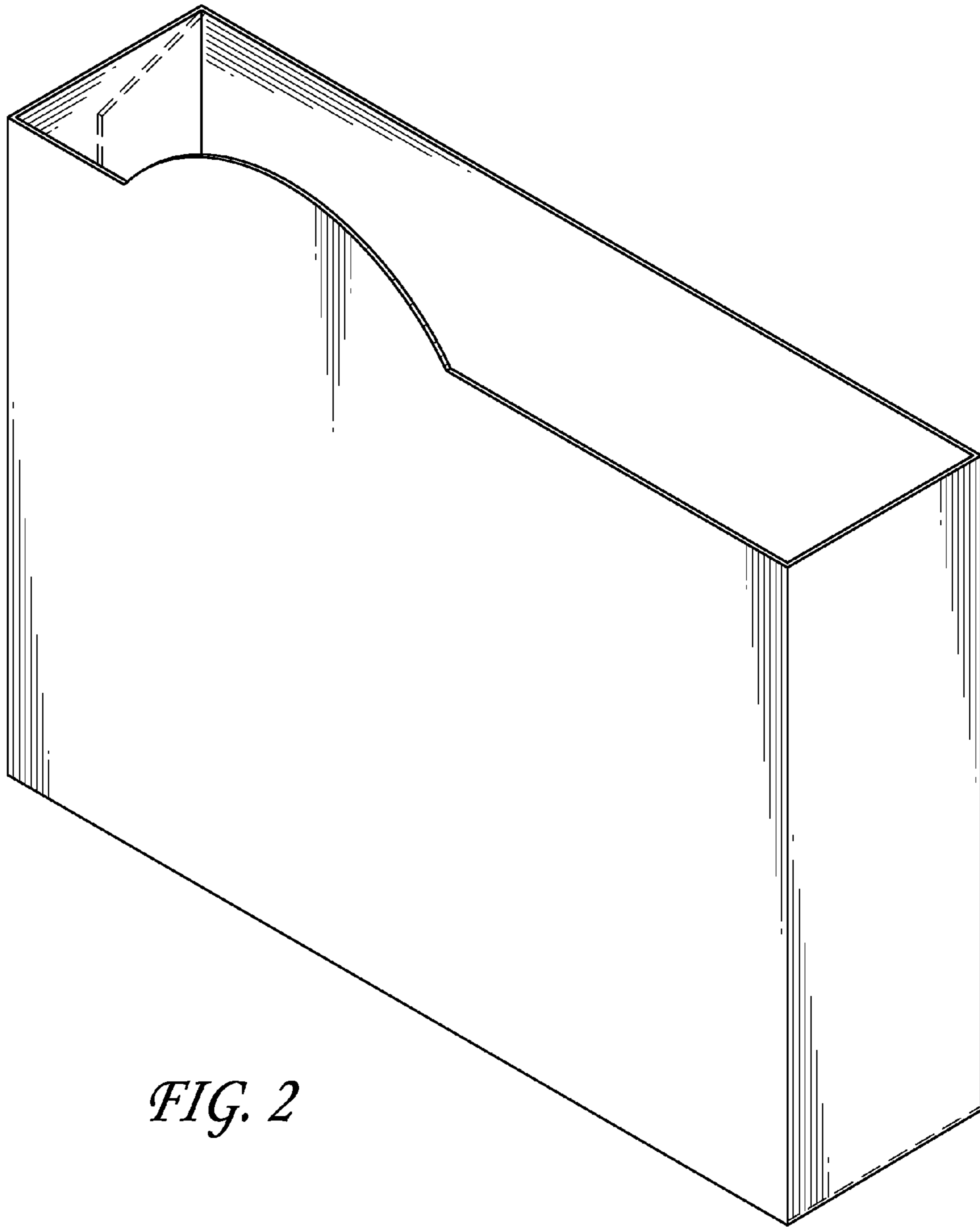


FIG. 2

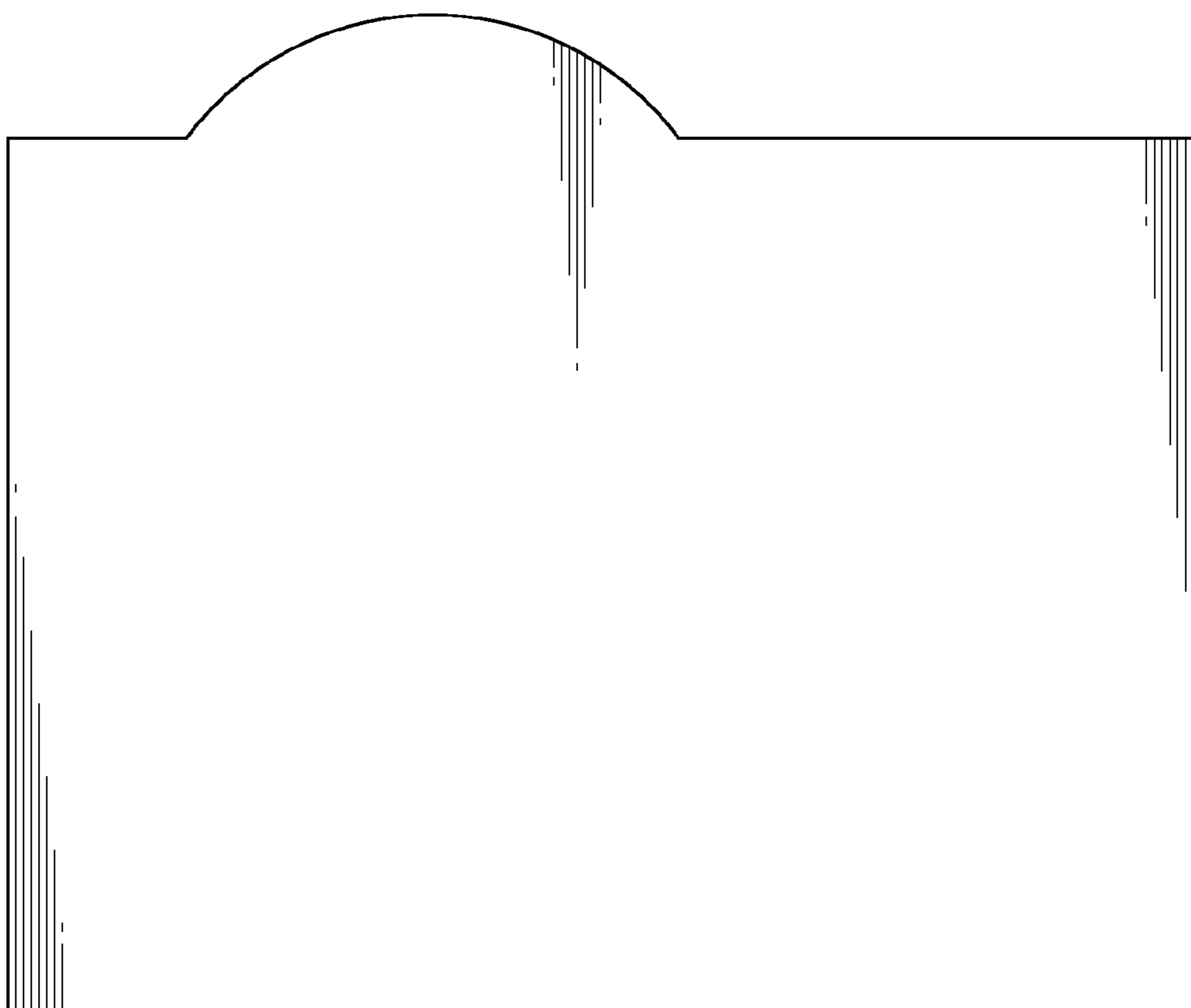


FIG. 3

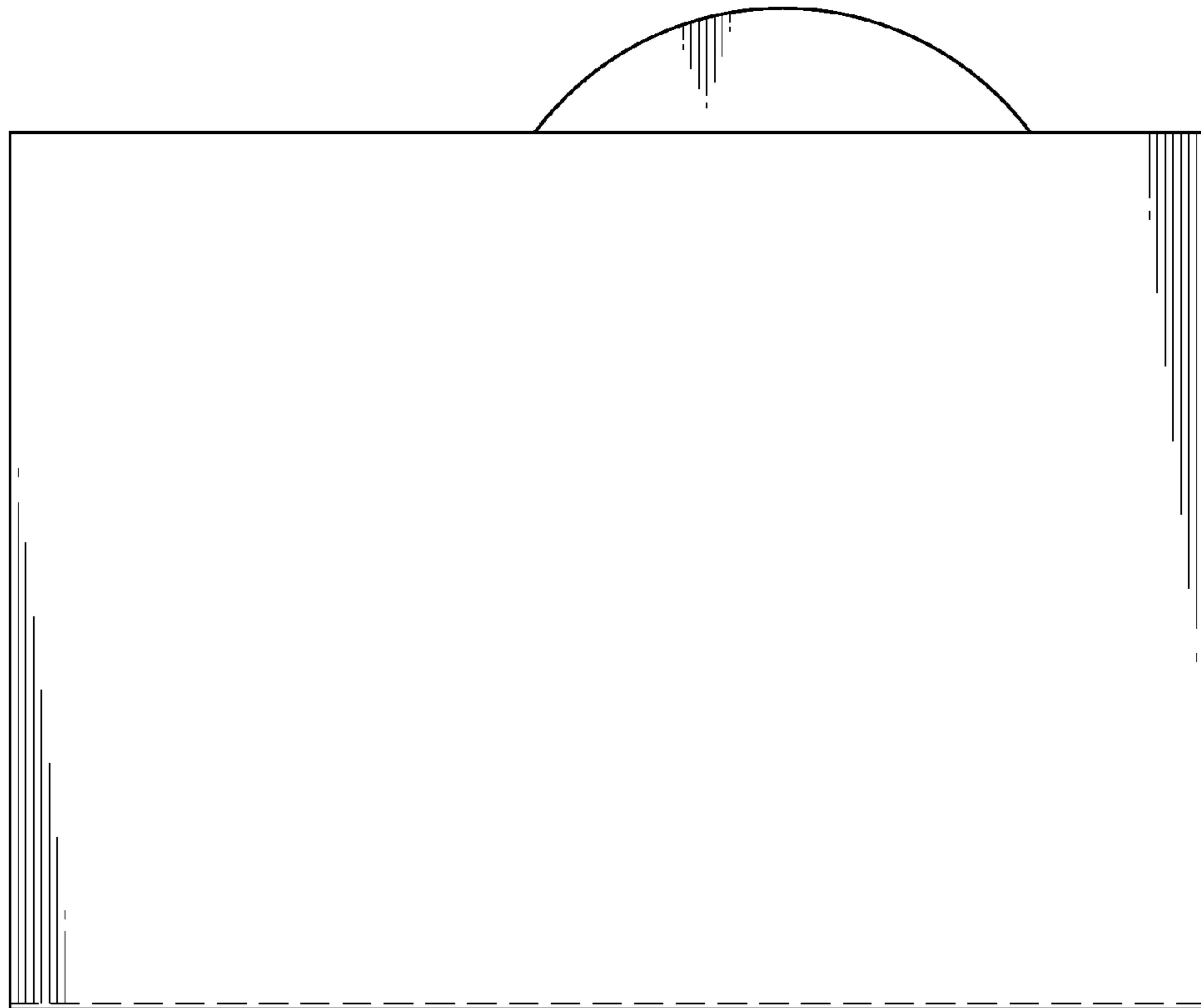


FIG. 4

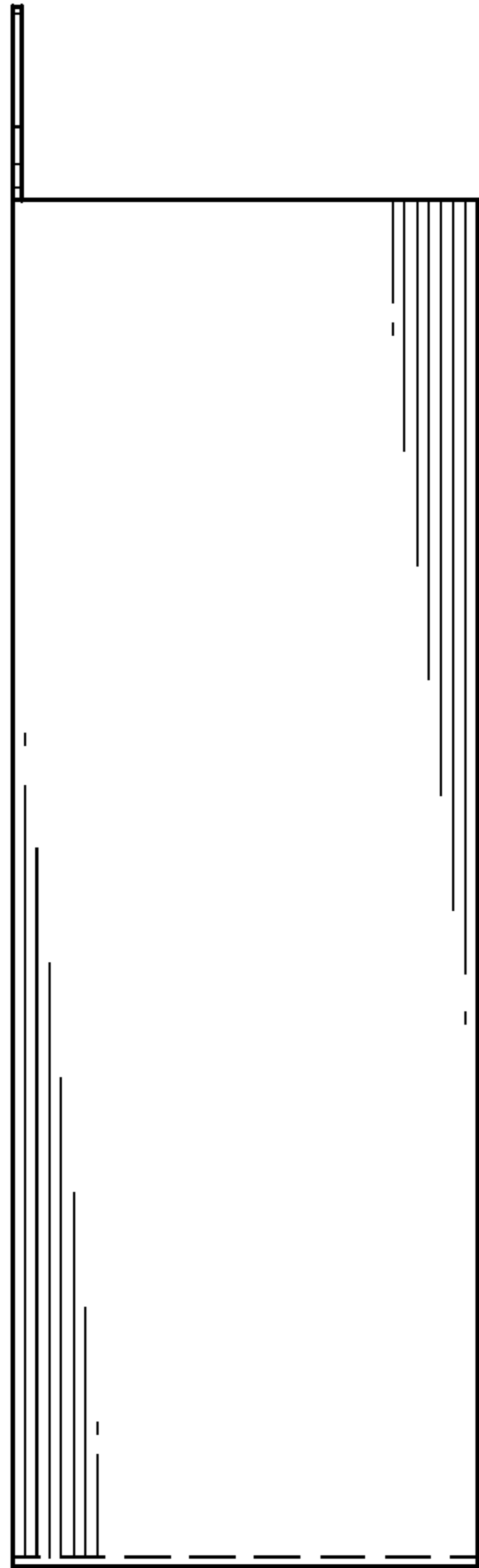


FIG. 5

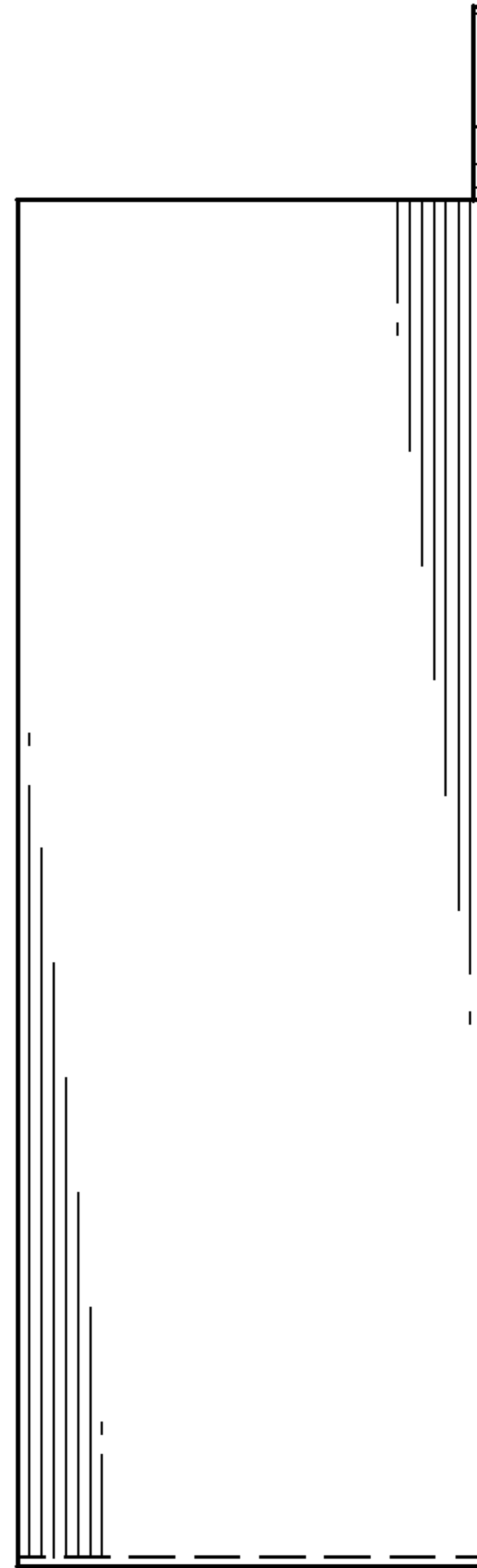


FIG. 6

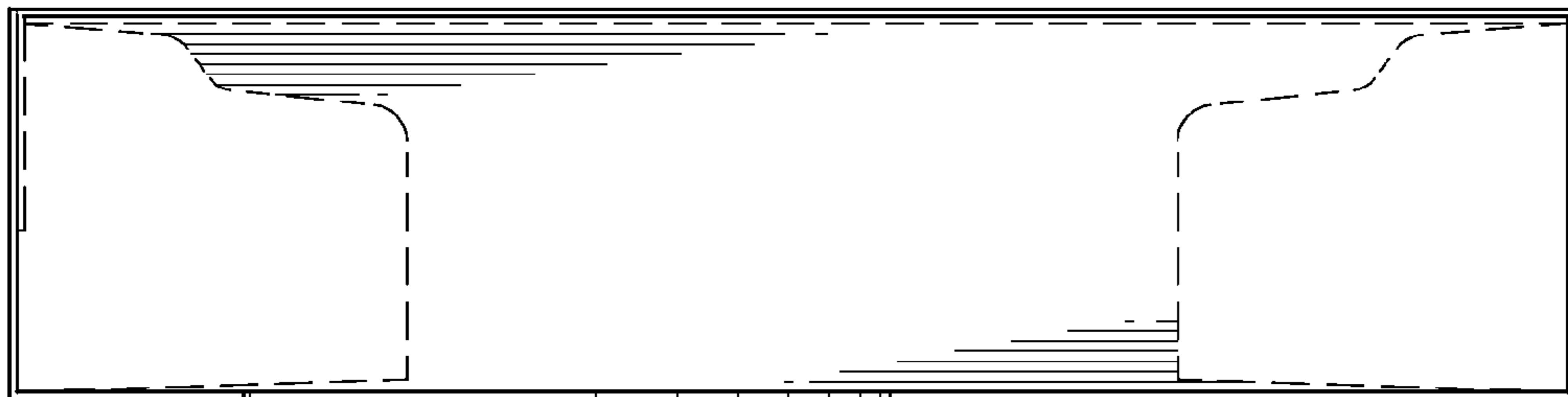


FIG. 7

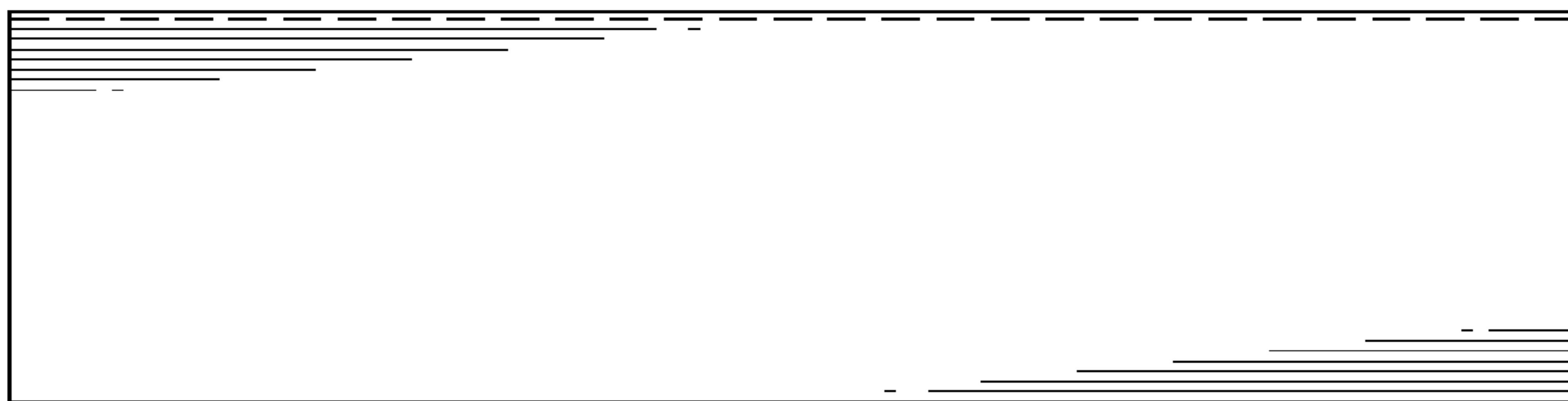


FIG. 8