



US00D621266S

(12) **United States Design Patent**
Smith et al.

(10) **Patent No.:** **US D621,266 S**
(45) **Date of Patent:** **** Aug. 10, 2010**

(54) **BOTTLE**

(75) Inventors: **Christopher Lawrence Smith**, Liberty Township, OH (US); **Corey Michael Bischoff**, Cincinnati, OH (US); **Stephan James Andreas Meschkat**, Hessen (DE); **Benjamin Jane Beck**, Boston, MA (US); **Douglas Arthur Marsden**, Marblehead, MA (US)

(73) Assignee: **The Procter & Gambke Company**, Cincinnati, OH (US)

(**) Term: **14 Years**

(21) Appl. No.: **29/354,142**

(22) Filed: **Jan. 20, 2010**

(51) **LOC (9) Cl.** **09-01**
(52) **U.S. Cl.** **D9/516**
(58) **Field of Classification Search** D9/516,
D9/522, 529, 530, 541-543, 434-436, 438,
D9/440, 444, 445, 447; 215/381-385; 220/662,
220/669

See application file for complete search history.

(56) **References Cited**

U.S. PATENT DOCUMENTS

D138,198 S *	7/1944	Jackson	D9/558
D211,447 S *	6/1968	Merchant	D9/546
D292,882 S *	11/1987	Gross	D9/435
D304,301 S *	10/1989	Moss et al.	D9/436
D306,265 S *	2/1990	Leebeek	D9/435
D309,109 S *	7/1990	Allen	D9/436
D413,485 S *	9/1999	Much	D7/392.1
D606,863 S *	12/2009	Stalions	D9/453

FOREIGN PATENT DOCUMENTS

CA	129897	12/2009
CA	133040	12/2009
CA	133041	12/2009
CA	133042	12/2009
CA	133043	12/2009
CA	133044	12/2009

OTHER PUBLICATIONS

U.S. Appl. No. 29/324,956, dated Sep. 24, 2009, Smith et al.

* cited by examiner

Primary Examiner—Stella M Reid

Assistant Examiner—Keli L Hill

(74) *Attorney, Agent, or Firm*—Julia A. Glazer; Leonard W. Lewis; Steven W. Miller

(57) **CLAIM**

The ornamental design for a bottle, as shown and described.

DESCRIPTION

FIG. 1 is a perspective view of a bottle, showing our new design;

FIG. 2 is a rear elevation view thereof;

FIG. 3 is a left side elevation view thereof, the right side elevation view being a mirror image thereto;

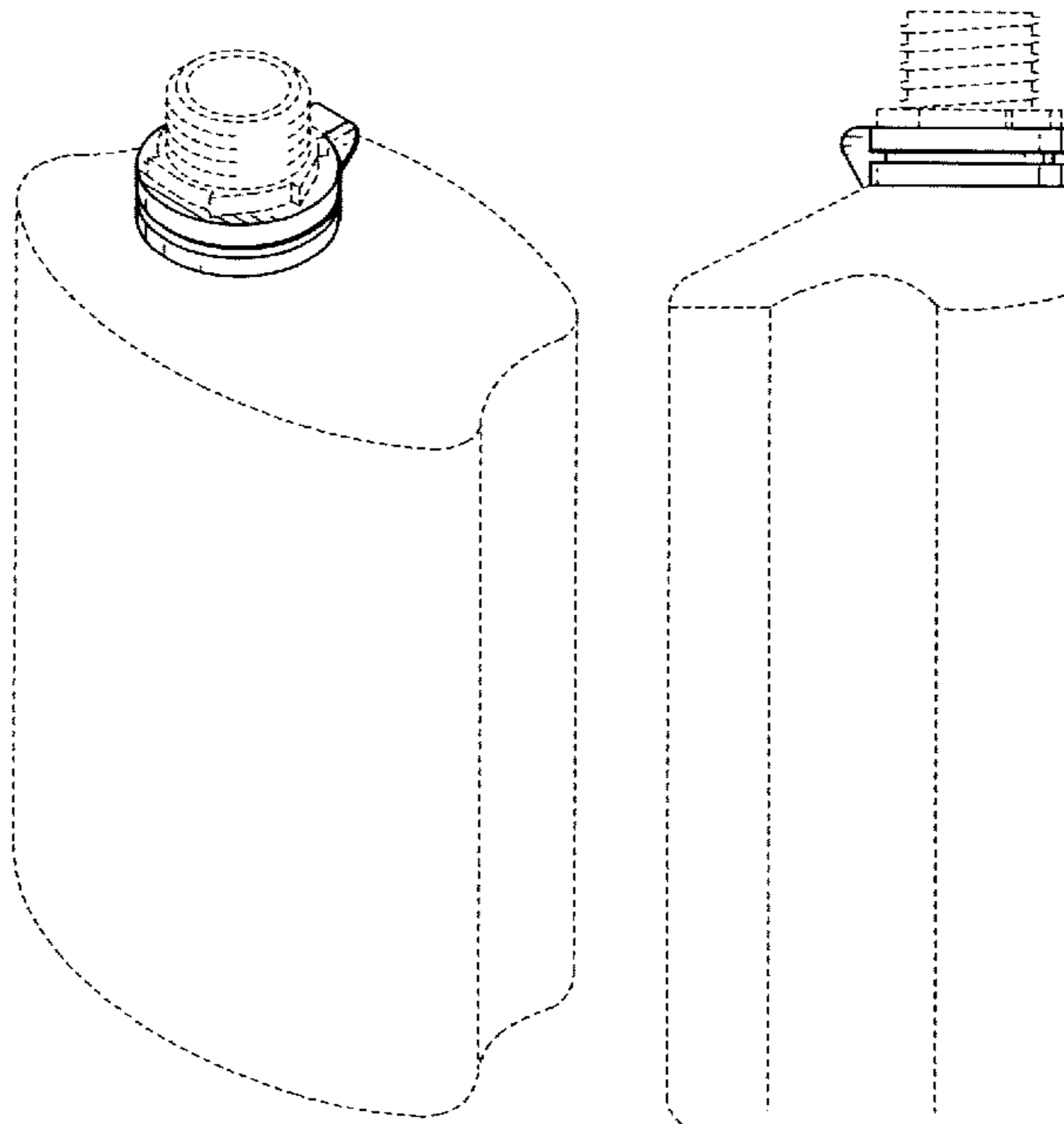
FIG. 4 is a front elevation view thereof;

FIG. 5 is a top plan view thereof; and,

FIG. 6 is a bottom plan thereof.

The broken line showing of environmental structure in the drawings is for illustrative purposes only and forms no part of the claimed design.

1 Claim, 2 Drawing Sheets



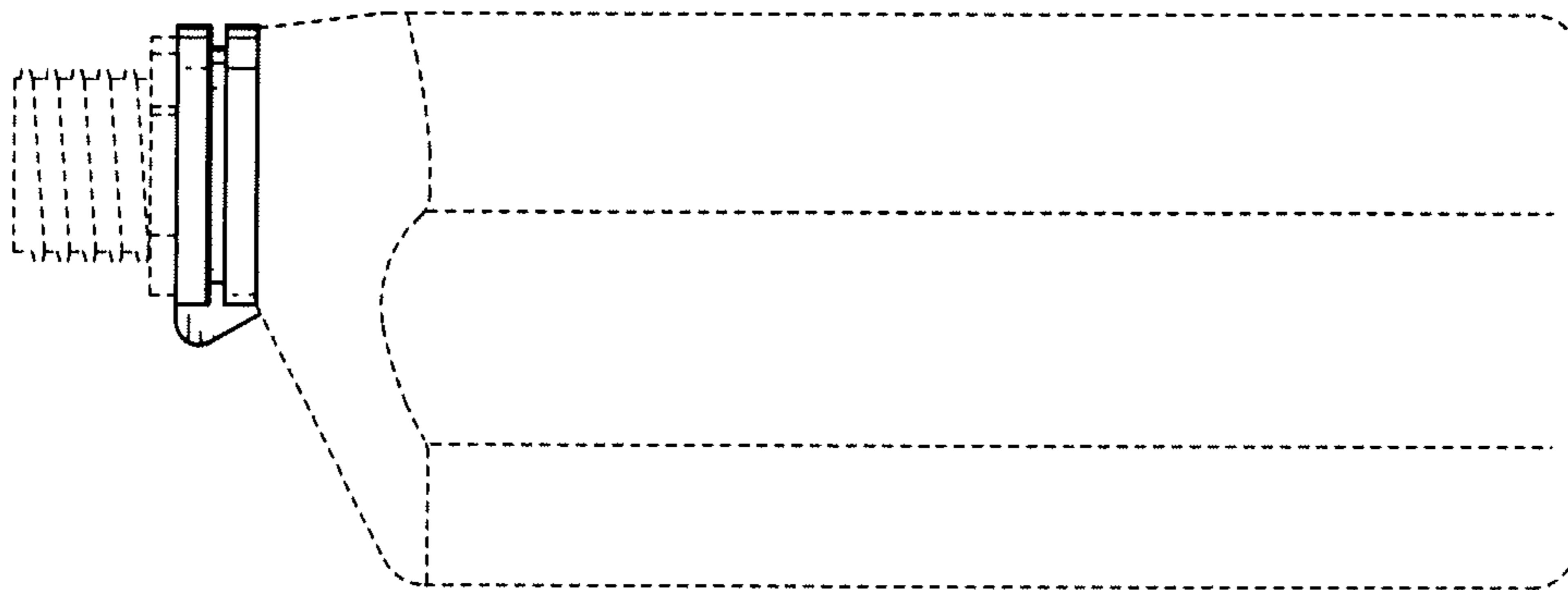


Fig. 1

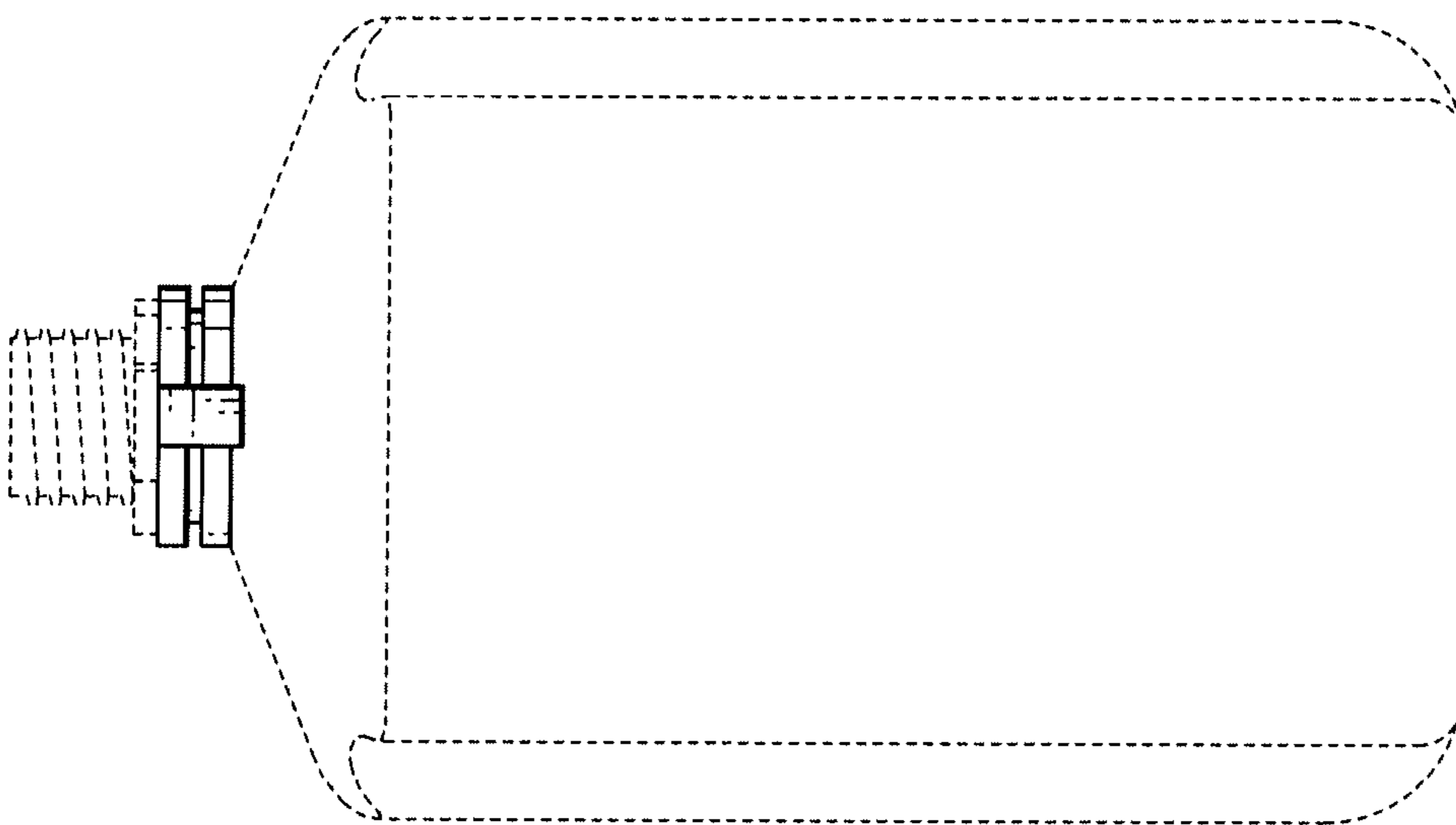


Fig. 2

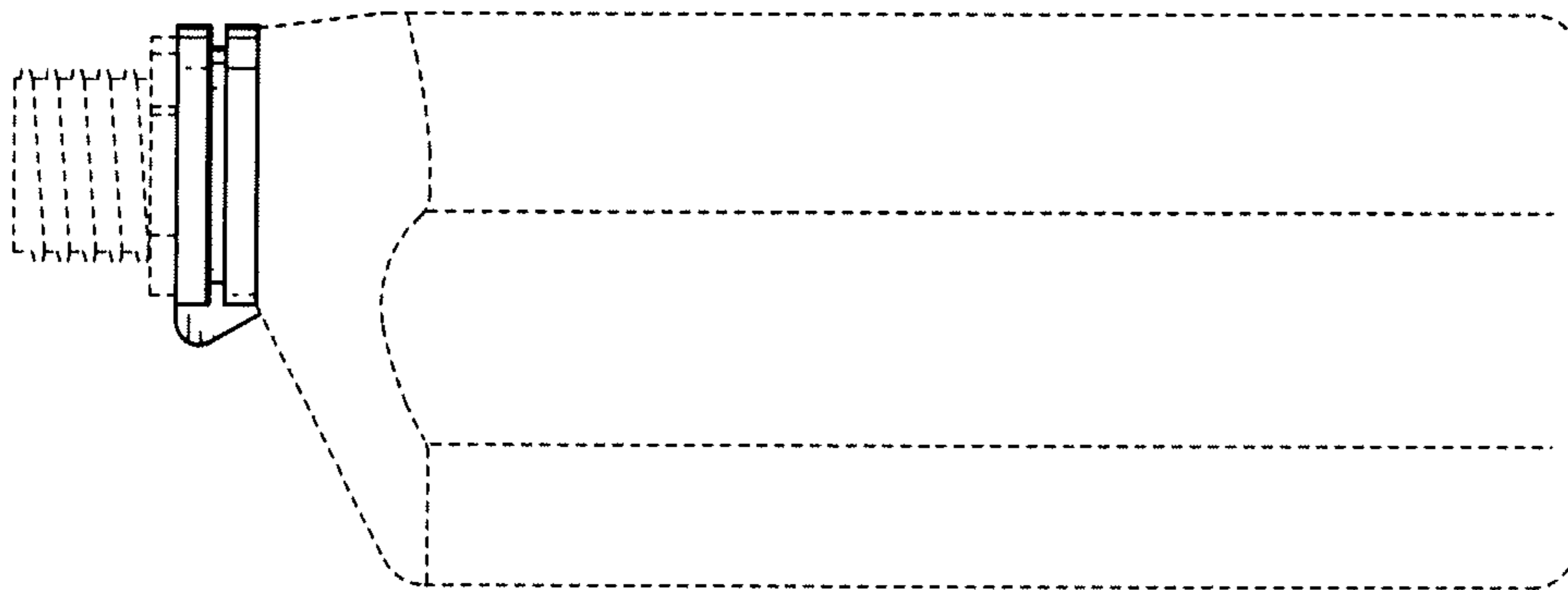


Fig. 3

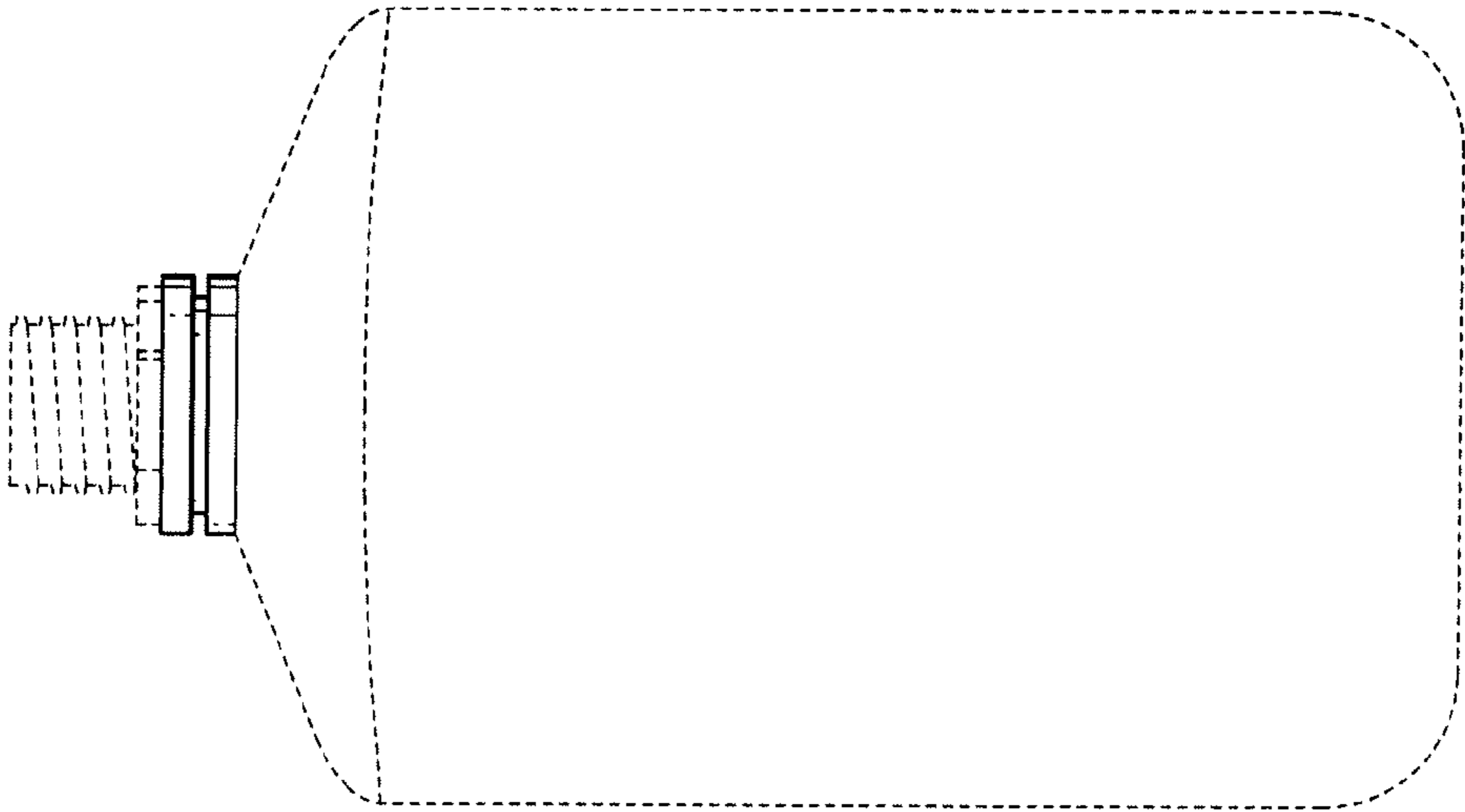


Fig. 4

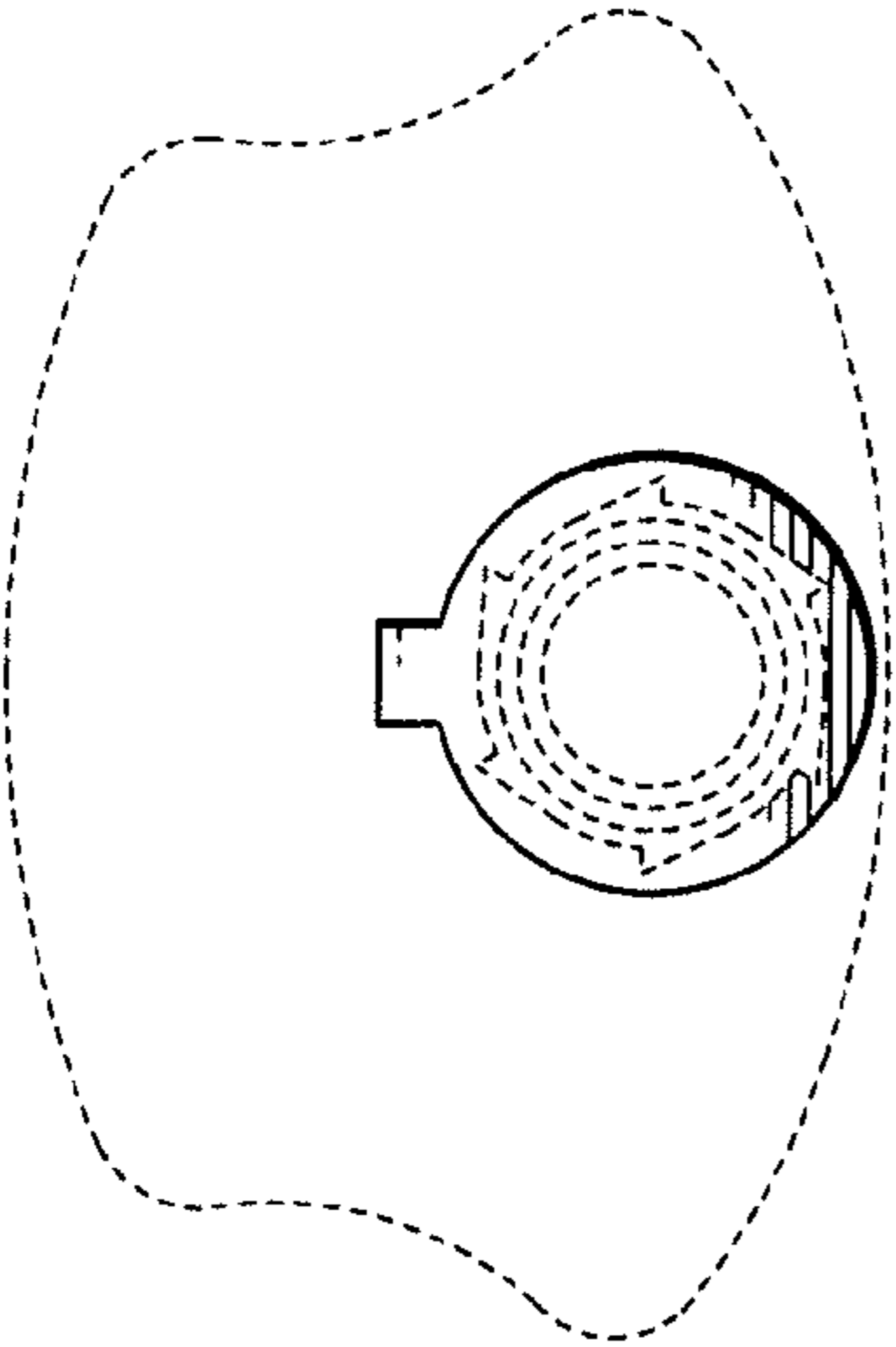


Fig. 5

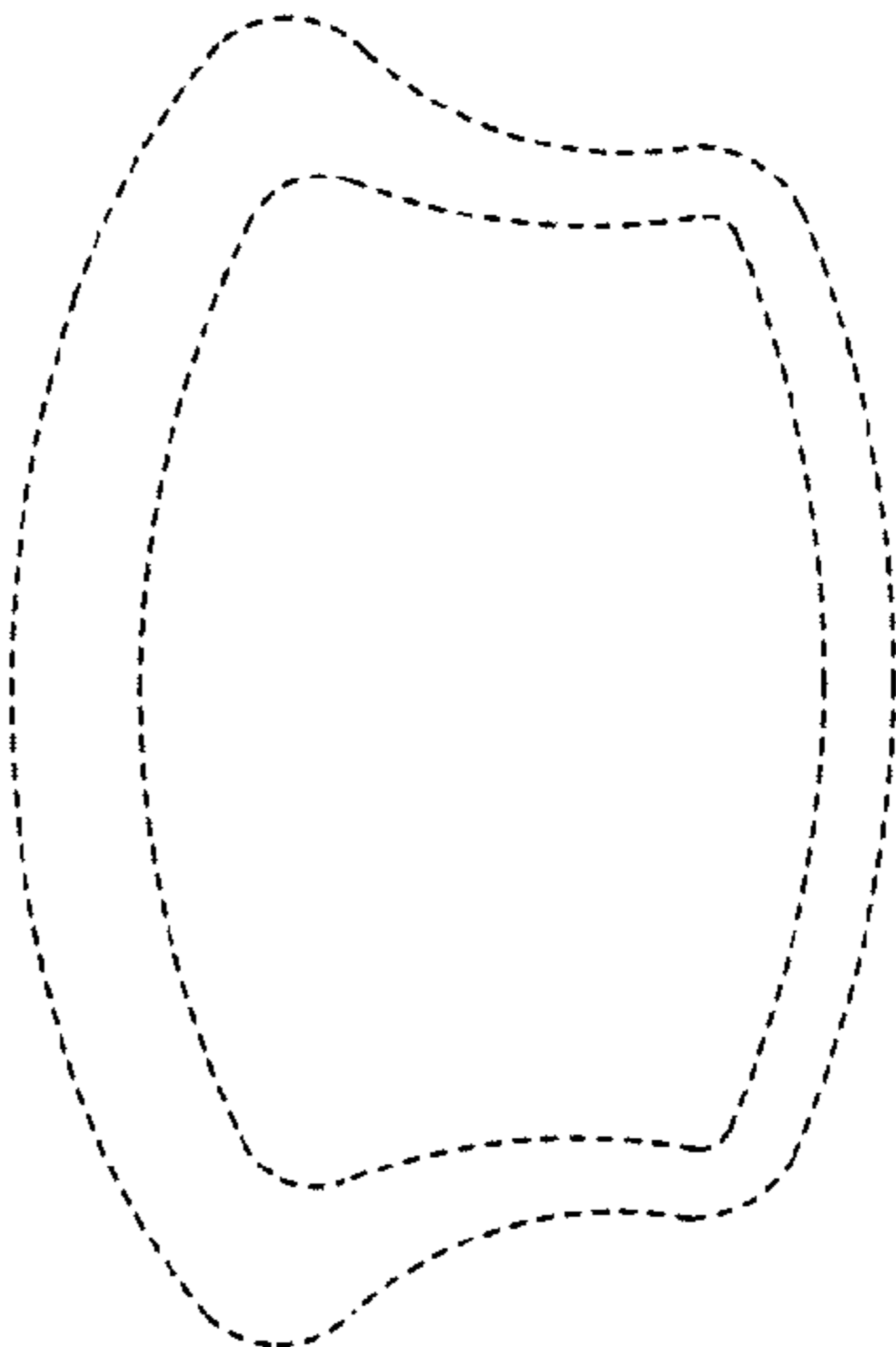


Fig. 6