



US00D621261S

(12) **United States Design Patent**  
**DeMarco**

(10) **Patent No.:** **US D621,261 S**

(45) **Date of Patent:** **\*\* Aug. 10, 2010**

(54) **CONTAINER**

(75) Inventor: **Jenny DeMarco**, Addison, TX (US)

(73) Assignee: **Mary Kay Inc.**, Dallas, TX (US)

(\*\*) Term: **14 Years**

(21) Appl. No.: **29/334,325**

(22) Filed: **Mar. 24, 2009**

**Related U.S. Application Data**

(63) Continuation of application No. 29/306,116, filed on Apr. 2, 2008, now Pat. No. Des. 588,916.

(51) **LOC (9) Cl.** ..... **09-01**

(52) **U.S. Cl.** ..... **D9/504**

(58) **Field of Classification Search** ..... D9/50,  
D9/502-505, 516, 549, 558, 682, 686, 688-692,  
D9/537, 539, 545; D28/76, 78, 82; D7/509,  
D7/602; 215/379, 381-382; 220/660, 662,  
220/669, 675

See application file for complete search history.

(56) **References Cited**

**U.S. PATENT DOCUMENTS**

|              |         |                 |       |            |
|--------------|---------|-----------------|-------|------------|
| D51,066 S    | 7/1917  | Hoffman         | ..... | D9/772     |
| 1,443,564 A  | 1/1923  | Dolan           | ..... | 229/5.5    |
| 1,491,783 A  | 4/1924  | Bartold         | ..... | 229/5.6    |
| 1,532,830 A  | 4/1925  | Marceau         | ..... | 132/307    |
| 1,551,006 A  | 8/1925  | Bruns           | ..... | 220/996    |
| 1,582,631 A  | 4/1926  | Bruns           | ..... | 220/23.87  |
| 1,717,464 A  | 6/1929  | Neely           | ..... | 206/527    |
| D96,604 S    | 8/1935  | Hankar          | ..... | D9/504     |
| 2,012,942 A  | 9/1935  | Acker           | ..... | 229/125.05 |
| 2,036,928 A  | 7/1936  | Dreux et al.    | ..... | 229/123.2  |
| 2,057,293 A  | 10/1936 | Dreux et al.    | ..... | 493/108    |
| 2,076,549 A  | 4/1937  | Conner          | ..... | 215/6      |
| 2,211,885 A  | 8/1940  | Dreux et al.    | ..... | 229/125.19 |
| D127,331 S * | 5/1941  | Rosenfeld       | ..... | D9/503     |
| D128,850 S   | 8/1941  | Petzold         | ..... | D25/88     |
| 2,307,648 A  | 1/1943  | Tremolieres     | ..... | 206/525    |
| 2,315,635 A  | 4/1943  | McCarthy et al. | ..... | 493/86     |
| 2,446,080 A  | 7/1948  | Dennis          | ..... | 132/293    |

|             |         |                  |       |           |
|-------------|---------|------------------|-------|-----------|
| D153,938 S  | 5/1949  | Graham           | ..... | D28/77    |
| 2,797,839 A | 7/1957  | Root             | ..... | 220/23.87 |
| 2,808,090 A | 10/1957 | Casalino         | ..... | 220/62.18 |
| D188,138 S  | 6/1960  | Bindman          | ..... | D9/552    |
| 3,023,886 A | 6/1962  | Abrams           | ..... | 401/183   |
| D196,393 S  | 9/1963  | Sanders et al.   | ..... | D9/448    |
| 3,156,279 A | 11/1964 | Grebowiec et al. | ..... | 215/12.1  |
| 3,206,016 A | 9/1965  | Fowler et al.    | ..... | 206/403   |
| 3,244,313 A | 4/1966  | De Wayne Miles   | ..... | 220/288   |

(Continued)

**OTHER PUBLICATIONS**

U.S. Appl. No. 29/306,117, filed Apr. 2, 2008, DeMarco.

*Primary Examiner*—Ian Simmons

*Assistant Examiner*—Dana L Sipos

(74) *Attorney, Agent, or Firm*—Fulbright & Jaworski L.L.P.

(57) **CLAIM**

The ornamental design for a container, as shown and described.

**DESCRIPTION**

FIG. 1 is a top perspective view of a container showing our new design;

FIG. 2 is a side elevation view thereof, the opposing side being identical;

FIG. 3 is a top plan view thereof;

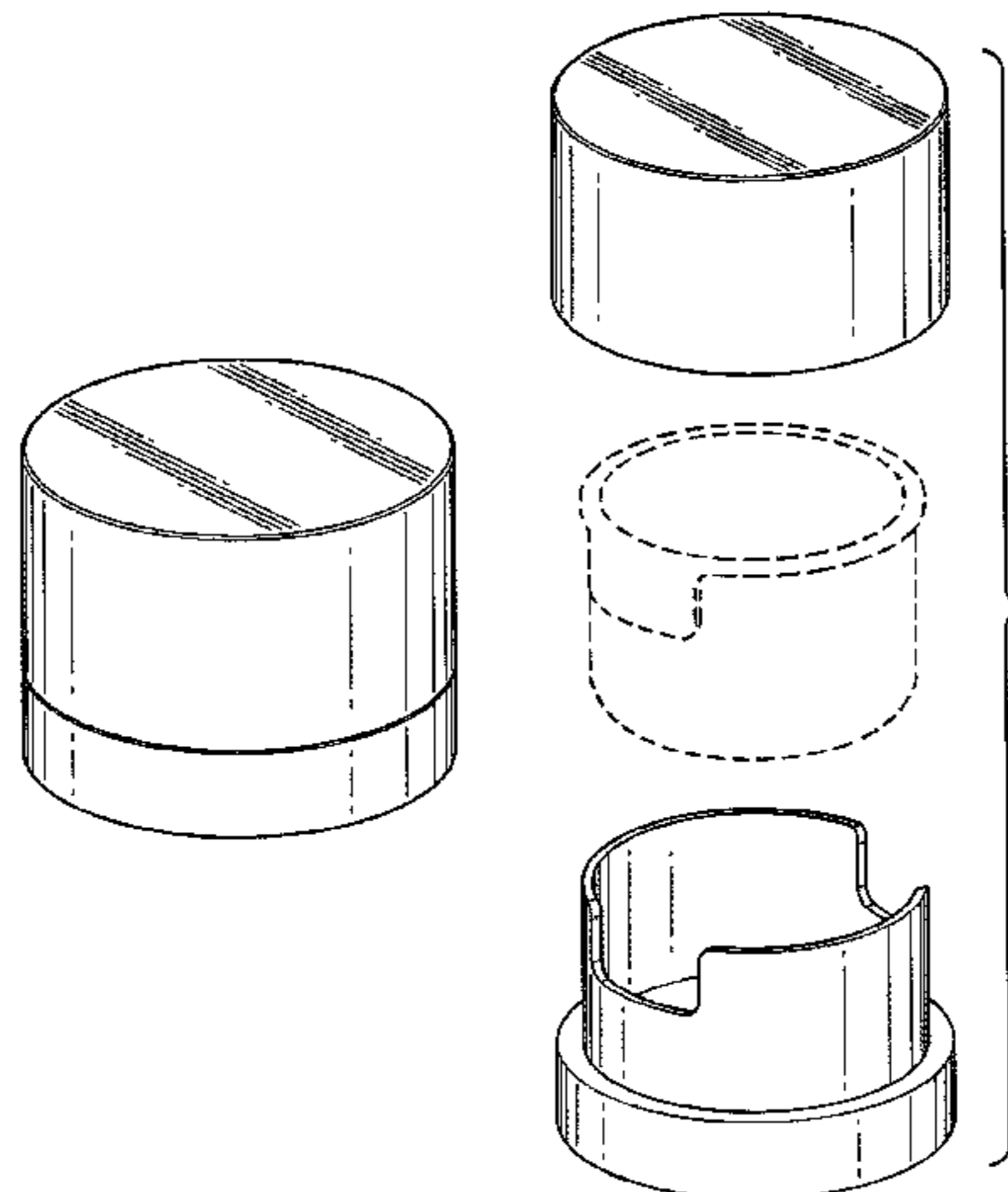
FIG. 4 is a bottom plan view thereof;

FIG. 5 is an exploded top perspective view thereof; and,

FIG. 6 is an exploded side elevation view thereof, the opposing side being identical.

The broken lines in the drawings showing the container insert illustrate the portions of the design that form no part of the claim.

**1 Claim, 4 Drawing Sheets**





# US D621,261 S

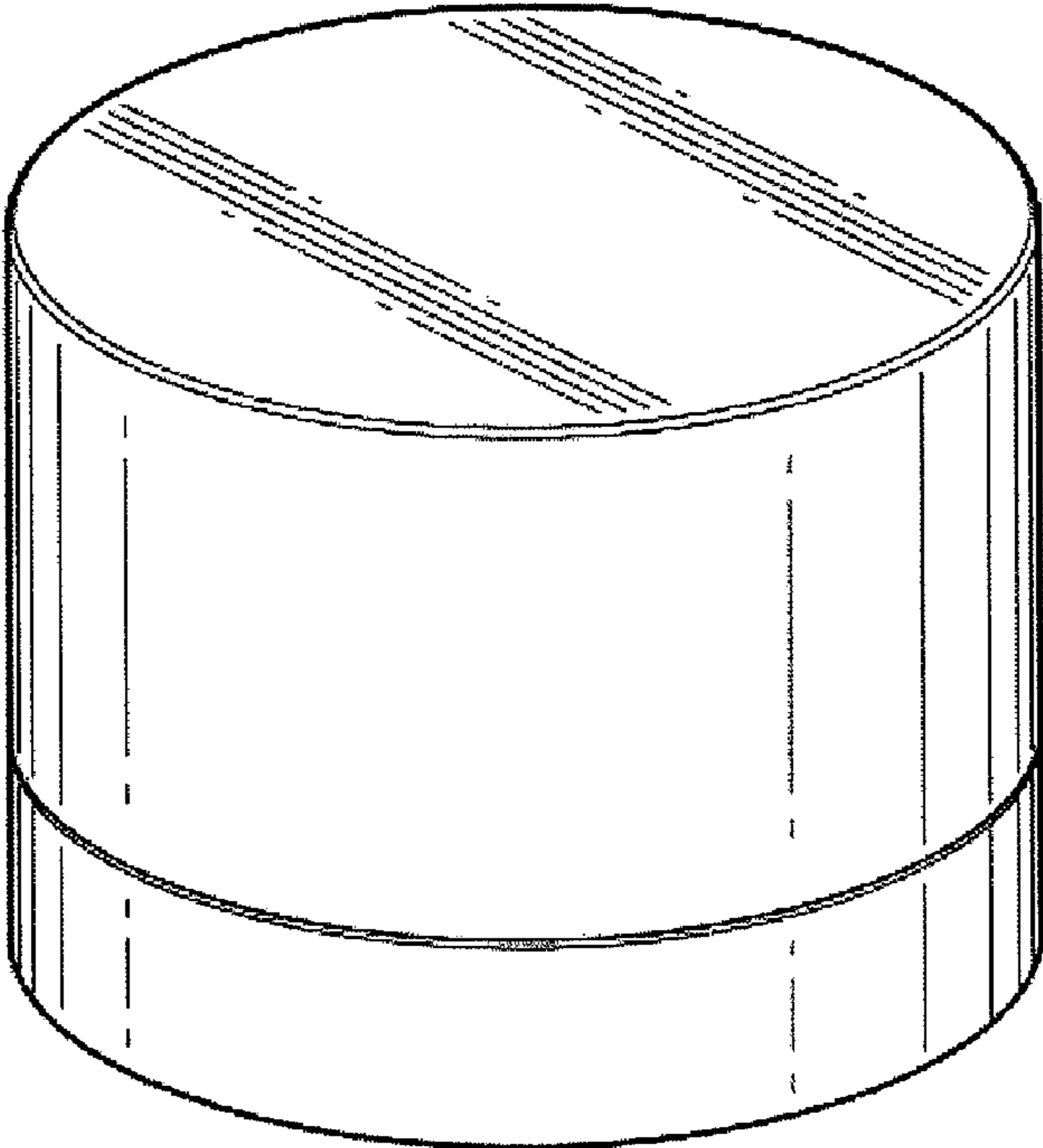
| U.S. PATENT DOCUMENTS |   |                                  |            |           |    |                                 |           |
|-----------------------|---|----------------------------------|------------|-----------|----|---------------------------------|-----------|
| 3,254,803             | A | 6/1966 Meshberg .....            | 222/182    | D388,549  | S  | 12/1997 Mouyiaris .....         | D28/82    |
| 3,311,248             | A | 3/1967 Marchant .....            | 215/13.1   | D389,060  | S  | 1/1998 De Laforcade .....       | D9/448    |
| D216,552              | S | 2/1970 Curry et al. ....         | D7/629     | 5,704,378 | A  | 1/1998 Machelett .....          | 132/304   |
| D217,438              | S | 5/1970 Barbach et al. ....       | D9/154     | D391,159  | S  | 2/1998 Sheffler .....           | D9/500    |
| 3,514,017             | A | 5/1970 Malone .....              | 222/321.7  | 5,772,083 | A  | 6/1998 Joulia .....             | 222/396   |
| 3,520,452             | A | 7/1970 Malone .....              | 222/321.1  | D396,329  | S  | 7/1998 Litton .....             | D28/82    |
| 3,534,890             | A | 10/1970 Iannacone .....          | 222/402.14 | D398,079  | S  | 9/1998 Denison .....            | D28/82    |
| 3,550,803             | A | 12/1970 Pelli .....              | 215/12.1   | D400,783  | S  | 11/1998 De Mourgues .....       | D9/691    |
| 3,620,399             | A | 11/1971 Rapeaud .....            | 215/13     | D403,470  | S  | 12/1998 Litton et al. ....      | D28/82    |
| D223,691              | S | 5/1972 Newman .....              | D28/77     | 5,842,604 | A  | 12/1998 Stahley et al. ....     | 222/95    |
| D227,003              | S | 5/1973 Graham .....              | D9/141     | D403,589  | S  | 1/1999 Wong .....               | D9/529    |
| D232,916              | S | 9/1974 Bettonica .....           | D9/164     | D404,295  | S  | 1/1999 Bertolini et al. ....    | D9/691    |
| 4,162,010             | A | * 7/1979 Hovsepian .....         | 206/229    | 5,871,700 | A  | 2/1999 Konrad .....             | 422/102   |
| 4,311,255             | A | 1/1982 Meshberg .....            | 222/183    | D408,285  | S  | 4/1999 Favre .....              | D9/503    |
| 4,369,799             | A | 1/1983 Napoleon .....            | 132/294    | D409,086  | S  | 5/1999 Brown et al. ....        | D9/428    |
| 4,370,989             | A | 2/1983 Taylor .....              | 132/317    | D411,100  | S  | 6/1999 Torres .....             | D9/692    |
| D272,006              | S | 12/1983 Geiger .....             | D28/5      | D411,742  | S  | 6/1999 Kokenge et al. ....      | D9/434    |
| 4,421,127             | A | 12/1983 Geer .....               | 132/294    | D411,747  | S  | 6/1999 Kokenge et al. ....      | D9/503    |
| D272,804              | S | 2/1984 Braun .....               | D9/353     | D413,257  | S  | 8/1999 Favre .....              | D9/690    |
| 4,429,798             | A | 2/1984 Borows .....              | 215/12.1   | 5,938,016 | A  | 8/1999 Erdtmann .....           | 206/221   |
| D274,848              | S | 7/1984 Chevassus .....           | D28/76     | D413,793  | S  | 9/1999 Favre .....              | D9/692    |
| D275,733              | S | 10/1984 Pardo .....              | D9/352     | D416,800  | S  | 11/1999 Herrmann .....          | D9/500    |
| 4,526,302             | A | 7/1985 Brunet .....              | 222/321.7  | 5,975,093 | A  | 11/1999 Joulia .....            | 132/293   |
| D280,975              | S | 10/1985 Van Dine .....           | D9/353     | 6,009,885 | A  | 1/2000 Nam .....                | 132/293   |
| D281,054              | S | 10/1985 Mendrad .....            | D9/688     | D420,466  | S  | 2/2000 Coates et al. ....       | D28/76    |
| D281,764              | S | 12/1985 Legrottaglie .....       | D9/504     | D420,766  | S  | 2/2000 Coates et al. ....       | D28/76    |
| D282,630              | S | 2/1986 Braun .....               | D9/504     | 6,021,784 | A  | 2/2000 Yuhara .....             | 132/293   |
| D287,824              | S | 1/1987 Rayner .....              | D9/780     | 6,021,924 | A  | 2/2000 Suck et al. ....         | 222/105   |
| 4,676,408             | A | 6/1987 Speitel .....             | 222/183    | D422,902  | S  | 4/2000 Kikuchi .....            | D9/689    |
| 4,826,014             | A | 5/1989 Schefer .....             | 206/581    | 6,047,710 | A  | 4/2000 Irving et al. ....       | 132/293   |
| D303,584              | S | 9/1989 Bakic .....               | D28/91     | 6,053,363 | A  | 4/2000 Revenu .....             | 222/82    |
| 4,863,034             | A | 9/1989 Contreras, Sr. ....       | 206/581    | D423,922  | S  | 5/2000 Ochi et al. ....         | D9/688    |
| D306,826              | S | 3/1990 Bormioli .....            | D9/504     | D424,749  | S  | 5/2000 Zalzal .....             | D28/76    |
| 4,944,430             | A | 7/1990 Graf et al. ....          | 222/259    | D424,750  | S  | 5/2000 Zalzal .....             | D28/76    |
| 4,982,751             | A | 1/1991 Oishi et al. ....         | 132/299    | 6,055,992 | A  | 5/2000 Skarne .....             | 132/293   |
| 5,005,697             | A | 4/1991 Jimbo et al. ....         | 206/235    | D426,160  | S  | 6/2000 Lindsay et al. ....      | D9/500    |
| D322,391              | S | 12/1991 Morane .....             | D9/688     | D426,466  | S  | 6/2000 Nervins et al. ....      | D9/529    |
| D322,392              | S | 12/1991 Schneider et al. ....    | D9/689     | D426,768  | S  | 6/2000 Gattineri .....          | D9/690    |
| D322,750              | S | 12/1991 Sommer .....             | D9/688     | 6,076,679 | A  | 6/2000 Yuhara et al. ....       | 206/581   |
| D324,171              | S | 2/1992 Morane .....              | D9/688     | 6,085,927 | A  | 7/2000 Kusz .....               | 220/23.87 |
| 5,099,998             | A | 3/1992 Curzon et al. ....        | 206/514    | H1855     | H  | 8/2000 Litton et al. ....       | D28/82    |
| 5,123,571             | A | 6/1992 Rebeyrolle et al. ....    | 222/105    | D432,017  | S  | 10/2000 Alvarado .....          | D9/529    |
| 5,161,556             | A | 11/1992 Audebourg et al. ....    | 132/296    | D432,720  | S  | 10/2000 Finocchiaro et al. .... | D28/76    |
| 5,165,603             | A | * 11/1992 Hahn .....             | 239/55     | D432,722  | S  | 10/2000 Wardlaw .....           | D28/76    |
| D334,705              | S | 4/1993 Pereira et al. ....       | D9/689     | D433,190  | S  | 10/2000 Finocchiaro et al. .... | D28/76    |
| D335,086              | S | 4/1993 Wacker .....              | D9/529     | 6,129,089 | A  | 10/2000 Yuhara .....            | 132/300   |
| 5,199,451             | A | 4/1993 Montoli .....             | 132/315    | 6,138,686 | A  | 10/2000 Yuhara .....            | 132/294   |
| D344,017              | S | 2/1994 Lang et al. ....          | D9/727     | D434,221  | S  | 11/2000 Chao .....              | D3/265    |
| D346,328              | S | 4/1994 Labrie .....              | D9/778     | D434,324  | S  | 11/2000 Gobe .....              | D9/504    |
| D347,571              | S | 6/1994 Wacker .....              | D9/688     | 6,149,008 | A  | 11/2000 Yuhara .....            | 206/581   |
| 5,323,924             | A | 6/1994 Wolff .....               | 220/23.87  | D434,667  | S  | 12/2000 Gobe .....              | D9/529    |
| 5,328,055             | A | 7/1994 Battle .....              | 222/83.5   | D435,449  | S  | 12/2000 Moretti .....           | D9/500    |
| D350,837              | S | 9/1994 Kirby .....               | D28/82     | D435,450  | S  | 12/2000 Eisenbarth .....        | D9/500    |
| 5,358,147             | A | 10/1994 Adams et al. ....        | 222/183    | D436,233  | S  | 1/2001 Faillant-Dumas .....     | D28/91    |
| D352,896              | S | 11/1994 Jones .....              | D9/428     | D436,532  | S  | 1/2001 Richardson .....         | D9/428    |
| 5,373,862             | A | 12/1994 Blachut .....            | 132/294    | D437,212  | S  | 2/2001 Adachi et al. ....       | D9/686    |
| 5,431,177             | A | 7/1995 Kecman .....              | 132/303    | D438,785  | S  | 3/2001 Baron .....              | D9/689    |
| D364,669              | S | 11/1995 Winner .....             | D22/117    | D440,150  | S  | 4/2001 Tsai .....               | D9/689    |
| D365,020              | S | 12/1995 Dinand .....             | D9/689     | D443,821  | S  | 6/2001 Bakic .....              | D9/500    |
| D367,423              | S | 2/1996 Stanley .....             | D9/424     | 6,264,054 | B1 | 7/2001 Miyake et al. ....       | 220/23.83 |
| D367,996              | S | 3/1996 Rausch .....              | D7/602     | D446,456  | S  | 8/2001 Adachi et al. ....       | D9/529    |
| 5,503,302             | A | 4/1996 DeJonge .....             | 222/82     | D447,290  | S  | 8/2001 Huai .....               | D30/129   |
| 5,516,006             | A | 5/1996 Meshberg .....            | 222/25     | 6,302,607 | B1 | 10/2001 Burrowes et al. ....    | 401/18    |
| 5,526,960             | A | 6/1996 Breidenbach et al. ....   | 222/183    | 6,311,701 | B1 | 11/2001 Yuhara et al. ....      | 132/294   |
| 5,549,200             | A | 8/1996 Cowan et al. ....         | 206/362    | 6,334,449 | B1 | 1/2002 Burrowes et al. ....     | 132/114   |
| 5,553,748             | A | 9/1996 Battle .....              | 222/94     | 6,354,452 | B1 | 3/2002 DeSalvo et al. ....      | 220/23.87 |
| 5,586,694             | A | 12/1996 Bredidenbach et al. .... | 222/183    | 6,401,955 | B1 | 6/2002 Yang .....               | 220/23.87 |
| 5,605,167             | A | 2/1997 Montoli .....             | 132/294    | D460,692  | S  | 7/2002 Cumberbatch .....        | D9/500    |
| 5,664,700             | A | 9/1997 Battle .....              | 222/105    | 6,505,986 | B1 | 1/2003 Older .....              | 401/183   |
| D385,793              | S | 11/1997 Marsal .....             | D9/203     | D469,684  | S  | 2/2003 Lerolle .....            | D9/682    |
| D388,320              | S | 12/1997 Lamb .....               | D9/688     | D470,273  | S  | 2/2003 Revivo .....             | D28/76    |
|                       |   |                                  |            | D472,152  | S  | 3/2003 Joubert .....            | D9/529    |
|                       |   |                                  |            | D474,405  | S  | 5/2003 Togasawa .....           | D9/504    |



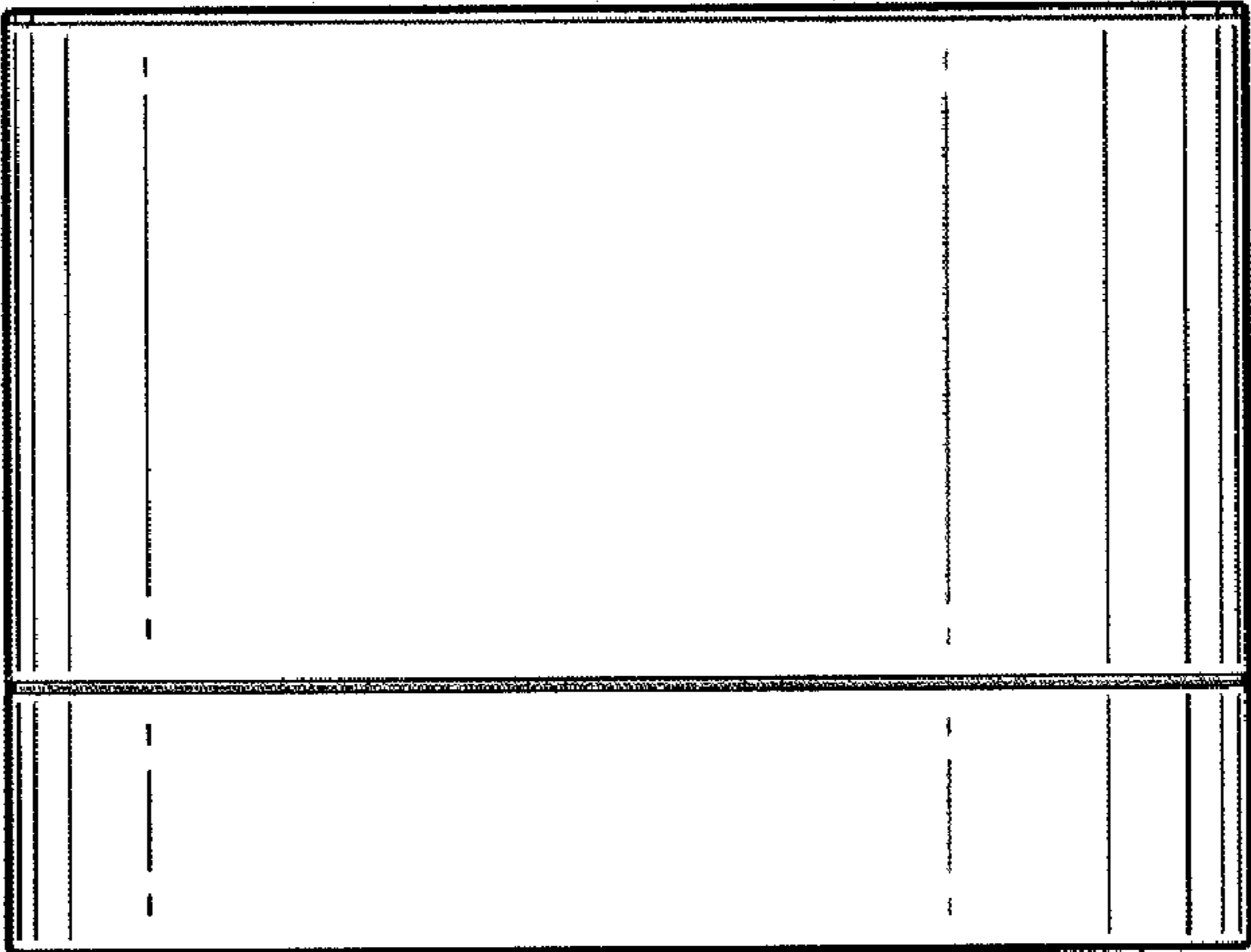
# US D621,261 S

|              |         |                        |           |                 |         |                     |           |
|--------------|---------|------------------------|-----------|-----------------|---------|---------------------|-----------|
| D474,974 S   | 5/2003  | Bakic .....            | D9/504    | D516,923 S      | 3/2006  | Moore .....         | D9/682    |
| D474,978 S   | 5/2003  | Varlet .....           | D9/549    | D518,381 S      | 4/2006  | Egawa .....         | D9/504    |
| D476,233 S   | 6/2003  | Versace .....          | D9/504    | D519,027 S      | 4/2006  | Haber et al. ....   | D9/428    |
| D476,572 S   | 7/2003  | Merritt .....          | D9/504    | D521,383 S      | 5/2006  | Priestman .....     | D9/529    |
| D477,216 S   | 7/2003  | Gronwall .....         | D9/727    | D521,386 S      | 5/2006  | Priestman .....     | D9/529    |
| D477,225 S   | 7/2003  | Pinnarvaia .....       | D9/454    | D522,695 S      | 6/2006  | Desdoigts .....     | D28/82    |
| 6,588,960 B1 | 7/2003  | Barwin et al. ....     | 401/125   | D523,752 S      | 6/2006  | Bried et al. ....   | D9/524    |
| 6,622,890 B2 | 9/2003  | Gueret .....           | 222/1     | D524,161 S      | 7/2006  | Sauer .....         | D9/529    |
| D480,307 S   | 10/2003 | Canamasas Puigbo ..... | D9/504    | D525,136 S      | 7/2006  | Bakic .....         | D9/522    |
| 6,648,538 B2 | 11/2003 | Gueret .....           | 401/130   | D526,205 S      | 8/2006  | Priestman .....     | D9/529    |
| 6,651,835 B2 | 11/2003 | Iskra .....            | 220/23.87 | D527,642 S      | 9/2006  | Priestman .....     | D9/529    |
| D483,527 S   | 12/2003 | Ashiwa et al. ....     | D28/91    | D530,208 S      | 10/2006 | Danne et al. ....   | D9/504    |
| D484,644 S   | 12/2003 | Noh .....              | D28/76    | D530,622 S      | 10/2006 | Geiberger .....     | D9/688    |
| D485,016 S   | 1/2004  | Noh .....              | D28/76    | D531,036 S      | 10/2006 | Bried et al. ....   | D9/504    |
| D485,017 S   | 1/2004  | Noh .....              | D28/76    | D531,041 S      | 10/2006 | Sauer et al. ....   | D9/529    |
| 6,749,078 B2 | 6/2004  | Iskra .....            | 220/23.87 | 7,134,577 B1    | 11/2006 | Verma .....         | 222/321.9 |
| D493,721 S   | 8/2004  | Puigbo .....           | D9/504    | D538,482 S *    | 3/2007  | Martinez .....      | D28/89    |
| D494,474 S   | 8/2004  | Houk et al. ....       | D9/504    | D541,176 S      | 4/2007  | Bried .....         | D9/780    |
| D497,809 S   | 11/2004 | Fenton et al. ....     | D9/500    | D542,149 S      | 5/2007  | Boucher .....       | D9/686    |
| D498,678 S   | 11/2004 | Ames .....             | D9/529    | D543,458 S      | 5/2007  | Dittmer .....       | D9/504    |
| D499,338 S   | 12/2004 | Mulder et al. ....     | D9/500    | 7,246,724 B2    | 7/2007  | Dave .....          | 222/325   |
| 6,832,702 B2 | 12/2004 | Garcia .....           | 222/183   | 7,249,720 B2    | 7/2007  | Mathiez .....       | 239/302   |
| D502,649 S   | 3/2005  | Martinez .....         | D9/529    | D560,495 S      | 1/2008  | Mettler et al. .... | D9/504    |
| D503,086 S   | 3/2005  | Tsai .....             | D9/685    | 7,314,051 B2    | 1/2008  | Yuhara et al. ....  | 132/294   |
| 6,871,798 B2 | 3/2005  | Mathiez .....          | 239/302   | 7,314,052 B2    | 1/2008  | Yuhara et al. ....  | 132/294   |
| D504,542 S   | 4/2005  | Noh .....              | D28/76    | 7,322,478 B2    | 1/2008  | Goto et al. ....    | 206/581   |
| D505,074 S   | 5/2005  | Bakic .....            | D9/504    | 7,451,877 B2    | 11/2008 | Koga et al. ....    | 206/581   |
| D506,128 S * | 6/2005  | Foi .....              | D9/715    | D588,916 S *    | 3/2009  | DeMarco .....       | D9/504    |
| 6,910,597 B2 | 6/2005  | Iskra .....            | 220/23.87 | 2002/0036155 A1 | 3/2002  | Freeman et al. .... | 206/581   |
| 6,923,347 B2 | 8/2005  | Winckels .....         | 222/206   | 2003/0071040 A1 | 4/2003  | Brodner et al. .... | 220/23.87 |
| D509,434 S   | 9/2005  | Haruta .....           | D9/504    | 2003/0080128 A1 | 5/2003  | Brodner et al. .... | 220/23.87 |
| D509,739 S   | 9/2005  | Haruta .....           | D9/504    | 2005/0178694 A1 | 8/2005  | Mecca et al. ....   | 206/581   |
| 6,945,403 B2 | 9/2005  | Lombardi .....         | 206/581   | 2005/0184090 A1 | 8/2005  | DeJonge .....       | 222/129   |
| 6,945,419 B2 | 9/2005  | Bertazza et al. ....   | 220/23.87 | 2005/0194384 A1 | 9/2005  | Petit .....         | 220/230   |
| D510,524 S   | 10/2005 | Houk et al. ....       | D9/503    | 2005/0218033 A1 | 10/2005 | Curtis .....        | 206/581   |
| D512,636 S   | 12/2005 | Pace .....             | D9/504    | 2005/0284891 A1 | 12/2005 | Ramet et al. ....   | 222/321.7 |
| D513,386 S   | 1/2006  | Pace et al. ....       | D9/504    | 2006/0027481 A1 | 2/2006  | Gelardi et al. .... | 206/581   |
| 6,983,864 B1 | 1/2006  | Cagle .....            | 222/131   | 2006/0043109 A1 | 3/2006  | Masudea .....       | 222/105   |
| D514,936 S   | 2/2006  | Pace et al. ....       | D9/504    | 2006/0118454 A1 | 6/2006  | Kang .....          | 206/581   |
| D515,426 S   | 2/2006  | Pace et al. ....       | D9/504    | 2006/0186019 A1 | 8/2006  | Lu .....            | 206/581   |
| D515,439 S   | 2/2006  | Pace .....             | D9/746    | 2007/0020032 A1 | 1/2007  | Abbas .....         | 401/188 A |
| D515,516 S   | 2/2006  | Mayo et al. ....       | D13/171   |                 |         |                     |           |
| D515,928 S   | 2/2006  | Pace .....             | D9/504    |                 |         |                     |           |

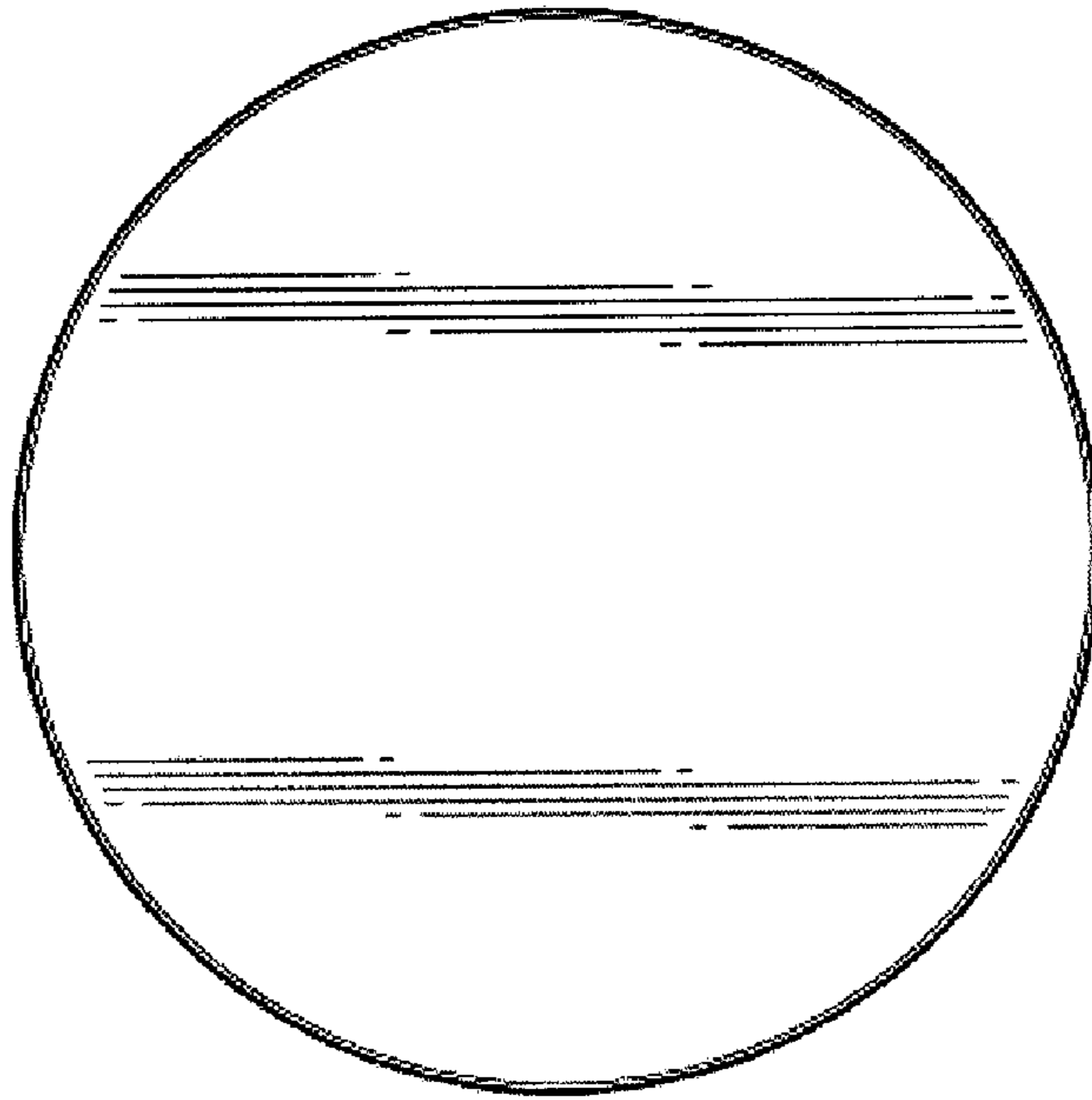
\* cited by examiner



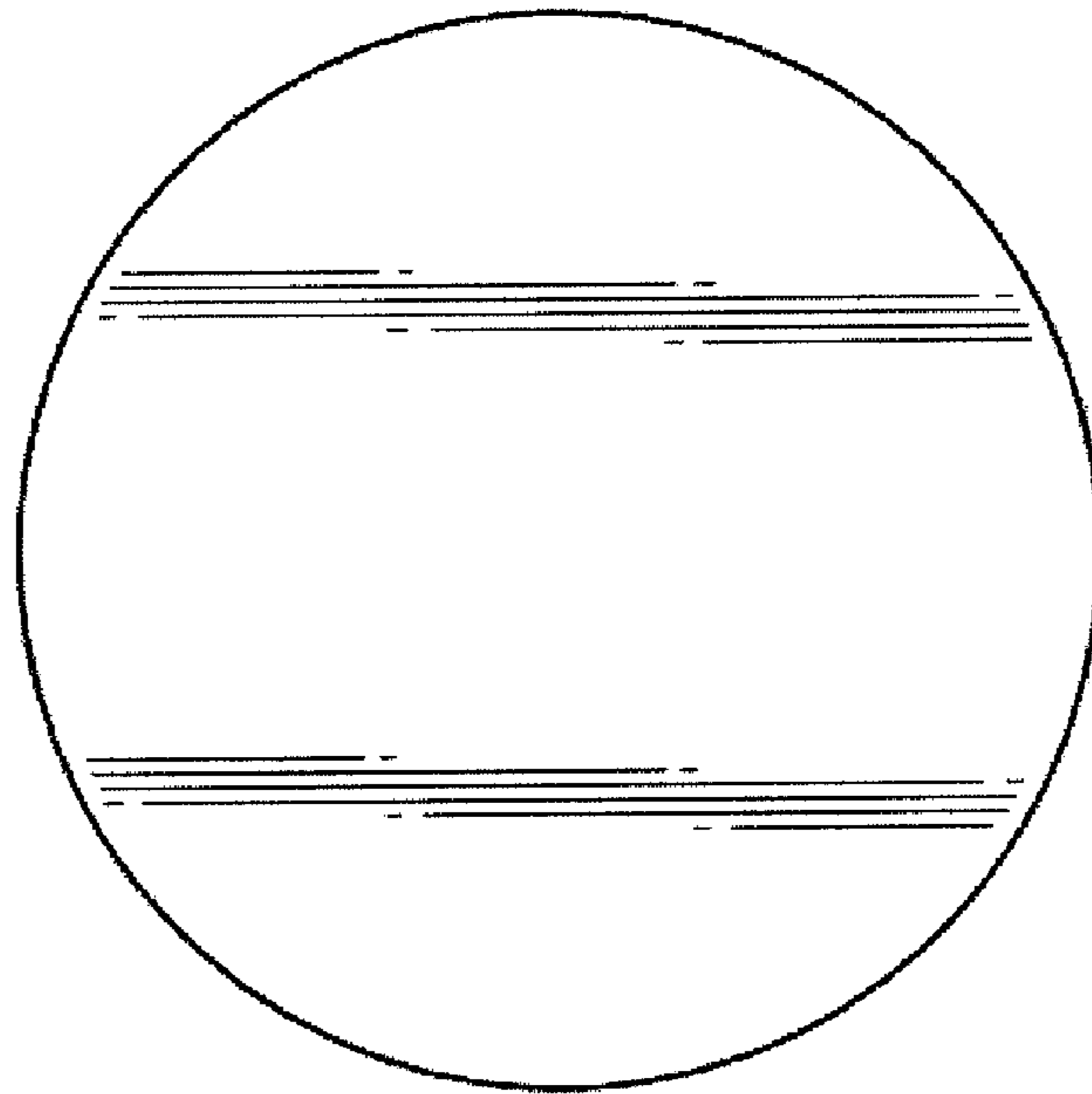
*FIG. 1*



*FIG. 2*



**FIG. 3**



**FIG. 4**

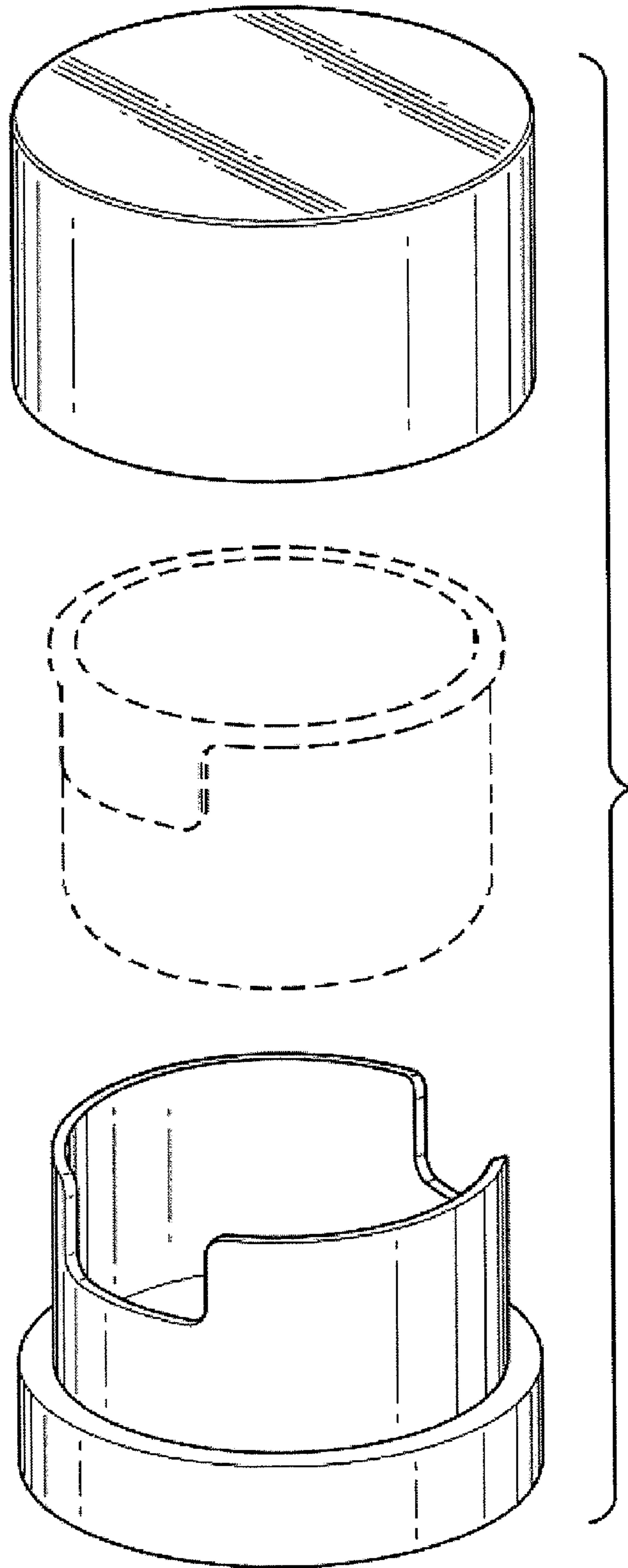


FIG. 5

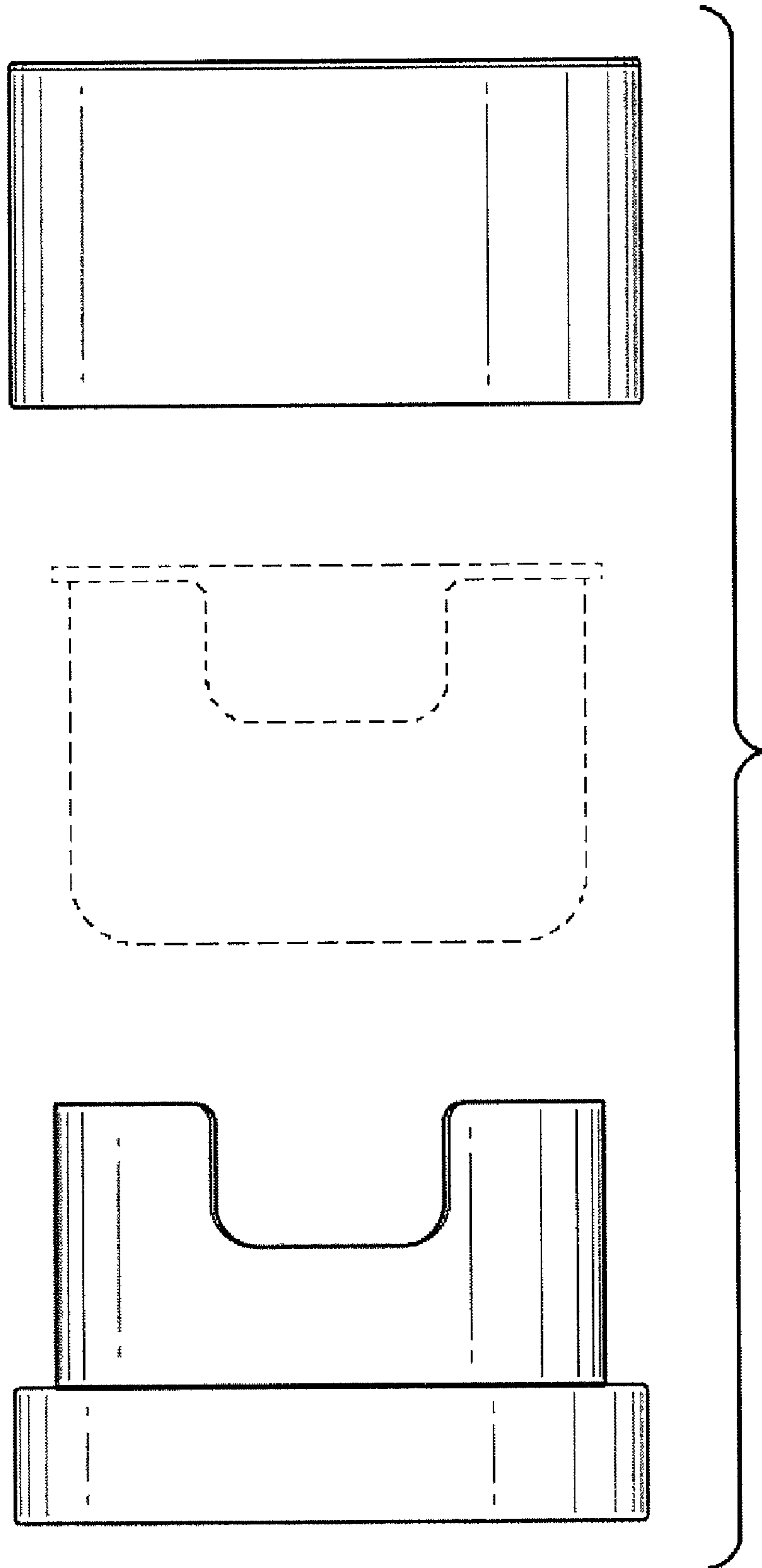


FIG. 6