



US00D621260S

(12) **United States Design Patent**
Brannon et al.

(10) **Patent No.:** **US D621,260 S**

(45) **Date of Patent:** **** Aug. 10, 2010**

(54) **DISPENSING CLOSURE**

(75) Inventors: **Patrick J Brannon**, Warwick, RI (US);
Clifford W. Skillin, Blackstone, MA
(US); **Sergey Romanov**, Cranston, RI
(US)

(73) Assignee: **Polytop Corporation**, Slatersville, RI
(US)

(**) Term: **14 Years**

(21) Appl. No.: **29/350,212**

(22) Filed: **Nov. 12, 2009**

Related U.S. Application Data

(63) Continuation of application No. 11/849,979, filed on
Sep. 4, 2007.

(51) **LOC (9) Cl.** **09-07**

(52) **U.S. Cl.** **D9/449**; D9/446; D9/452;
D9/447

(58) **Field of Classification Search** D9/504,
D9/454, 453, 452, 449, 447, 446, 443, 435;
D7/629, 511, 396.2, 392.1; 222/480; 215/220,
215/331, 306, 236, 235; 220/810
See application file for complete search history.

(56) **References Cited**

U.S. PATENT DOCUMENTS

330,545 A	11/1885	Barker	
1,844,442 A	2/1932	Schmalz	
2,130,749 A	9/1938	Von Till	
2,313,031 A	3/1943	Parkhurst	
2,921,724 A	1/1960	Whitney	
3,055,526 A	9/1962	Plunkett	
3,353,725 A	11/1967	Caceres	
3,416,688 A *	12/1968	Fanning	215/306
3,439,843 A	4/1969	Corsette	
3,618,170 A	11/1971	Owens	
3,690,496 A	9/1972	Gibson	
3,693,847 A	9/1972	Gibson	

3,734,332 A 5/1973 Grulich
3,784,045 A 1/1974 Komendowski
3,827,593 A 8/1974 Kramb et al.

(Continued)

FOREIGN PATENT DOCUMENTS

DE 4214548 11/1993

(Continued)

OTHER PUBLICATIONS

Int PCT Application No. PCT/US07/77562 Transmittal.

(Continued)

Primary Examiner—Susan Bennett Hattan

(74) *Attorney, Agent, or Firm*—Barlow, Josephs & Holmes,
Ltd.

(57) **CLAIM**

The ornamental design for a dispensing closure, as shown and
described.

DESCRIPTION

FIG. 1 is a front perspective view of the dispensing closure in
accordance with the present invention;

FIG. 2 is a front view thereof;

FIG. 3 is a rear view thereof;

FIG. 4 is a left view thereof;

FIG. 5 is a right view thereof;

FIG. 6 is a top view thereof;

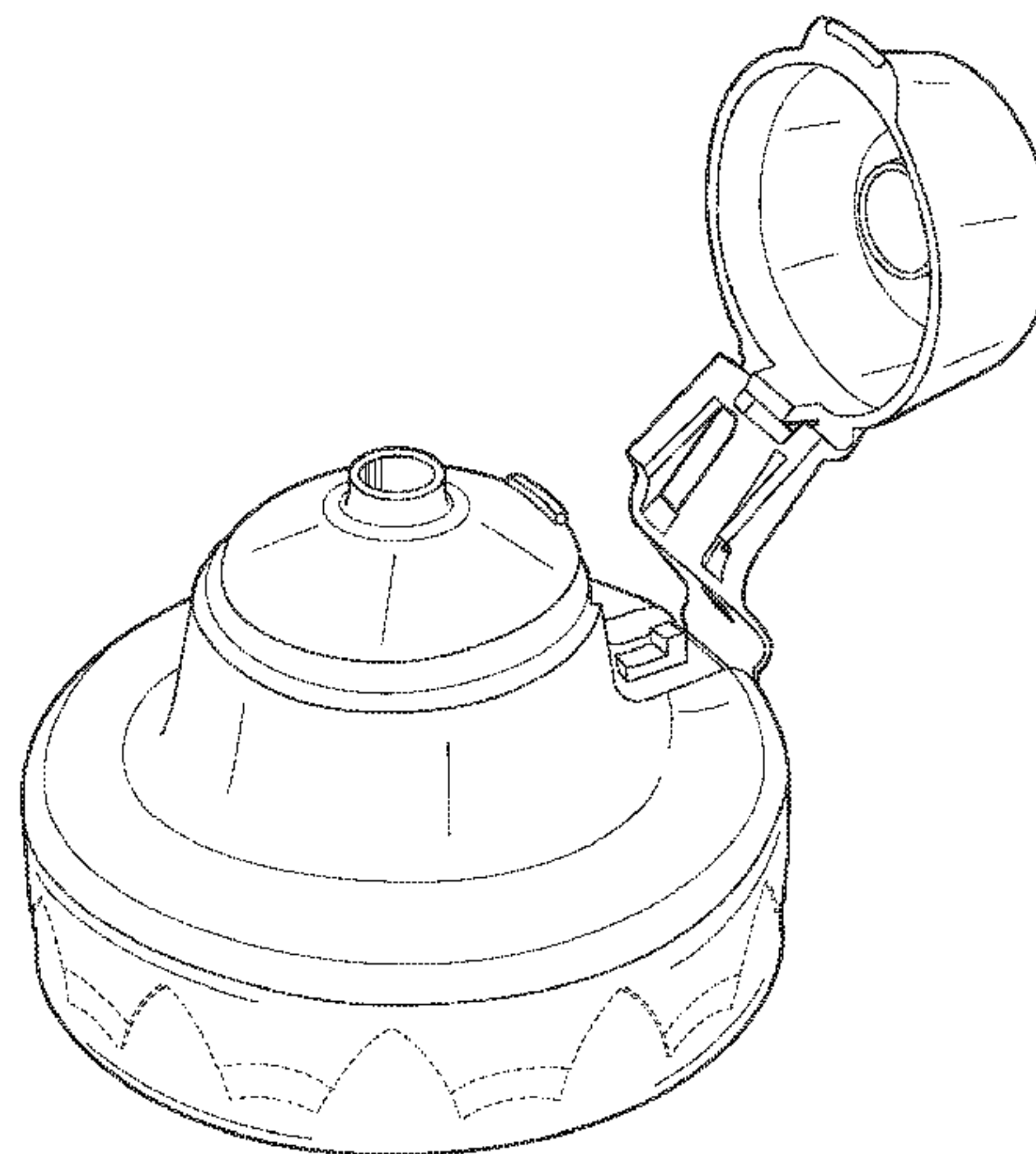
FIG. 7 is bottom view thereof;

FIG. 8 is a cross-sectional view thereof as taken along line
8—8 in FIG. 5; and,

FIG. 9 is a front perspective view of the dispensing closure
with the lid closed.

The broken lines in the drawing depict environmental subject
matter only and form no part of the claimed design.

1 Claim, 9 Drawing Sheets



US D621,260 S

Page 2

U.S. PATENT DOCUMENTS

3,877,598	A	4/1975	Hazard	
3,980,211	A	9/1976	Owens	
4,209,485	A	6/1980	Greenspan	
4,241,855	A	12/1980	Yoshioka	
4,343,754	A	8/1982	Wilde et al.	
4,487,342	A	12/1984	Shy	
4,564,113	A	1/1986	Mendler	
4,579,241	A	4/1986	Hayes	
4,649,013	A	3/1987	Yamamoto et al.	
4,749,108	A	6/1988	Domsbusch et al.	
4,767,587	A	8/1988	Towns et al.	
4,778,071	A	10/1988	Fillmore	
4,782,985	A	11/1988	Kinsley	
4,880,140	A	11/1989	Solomon et al.	
4,949,880	A	8/1990	Bradley	
D314,147	S *	1/1991	Davis	D9/446
5,033,655	A	7/1991	Brown	
5,048,723	A	9/1991	Seymour	
5,123,575	A	6/1992	Li	
5,197,634	A	3/1993	Beck	
5,271,531	A	12/1993	Rohr et al.	
5,277,318	A	1/1994	Smalley, Jr. et al.	
5,285,913	A	2/1994	Morton	
5,292,020	A	3/1994	Narin	
5,332,131	A	7/1994	Pehr	
5,370,284	A	12/1994	Dirksing	
5,472,122	A	12/1995	Appleby	
5,509,582	A	4/1996	Robbins, III	
5,512,228	A	4/1996	Adams et al.	
5,518,152	A	5/1996	Burcham et al.	
5,547,091	A	8/1996	Neveras et al.	
3,289,885	A	12/1996	Villaveces	
5,779,110	A	7/1998	Brown et al.	
5,819,994	A	10/1998	Leipold	
5,820,807	A	10/1998	Urmston	
5,875,909	A	3/1999	Guglielmini	
D409,043	S *	5/1999	Lillelund et al.	D7/392
5,992,659	A	11/1999	Nofer et al.	
6,006,960	A	12/1999	Gross	
6,029,861	A	2/2000	Gier	

6,412,664	B1	7/2002	Wolff et al.	
6,454,130	B1	9/2002	Miller et al.	
6,523,720	B1	2/2003	Robbins, III	
6,564,978	B1	5/2003	Safian et al.	
6,609,694	B2	8/2003	Francois et al.	
6,644,620	B2	11/2003	Johnson	
6,685,041	B1	2/2004	Geisinger	
6,837,402	B2	1/2005	Cardia	
7,014,075	B2	3/2006	Bonifacio et al.	
D540,677	S *	4/2007	Stull	D9/449
D598,755	S *	8/2009	Bull	D9/454
2004/0079766	A1	4/2004	Kokubo	
2004/0245290	A1	12/2004	Hagihara	
2005/0072788	A1	4/2005	Lieberman et al.	
2005/0167455	A1	8/2005	Yim	
2006/0175357	A1	8/2006	Hammond	

FOREIGN PATENT DOCUMENTS

JP	2004001836	1/2004
WO	9303338 A1	2/1993
WO	09513220	5/1995
WO	02074650 A1	9/2002

OTHER PUBLICATIONS

Int PCT Application No. PCT/US07/77562 International Search Report.

Int PCT Application No. PCT/US07/77562 Written Opinion.

PCT Notification of Transmittal of International Search Report and the Written Opinion of the International Searching Authority, or the Declaration for International Application No. PT/US07/77520.

PCT International Search Report for International Application No. PCT/US07/77520.

PCT Written Opinion for International Application No. PCT/US07/77520.

International PCT Application No. PCT/US07/77551 Transmittal.

International PCT Application No. PCT/US07/77551 International Search Report.

International PCT Application No. PCT/US07/77551 Written Opinion.

* cited by examiner

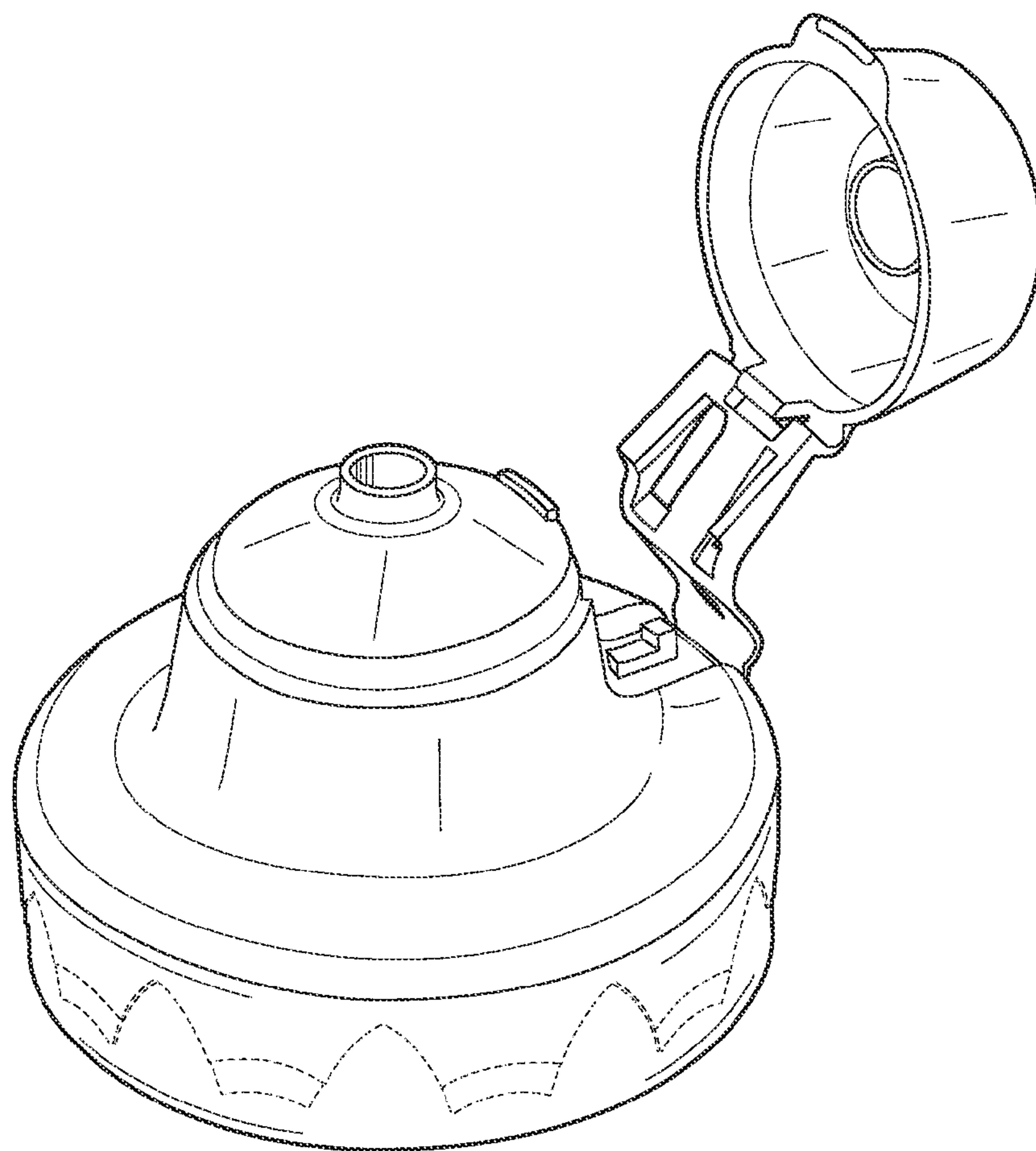


Fig. 1

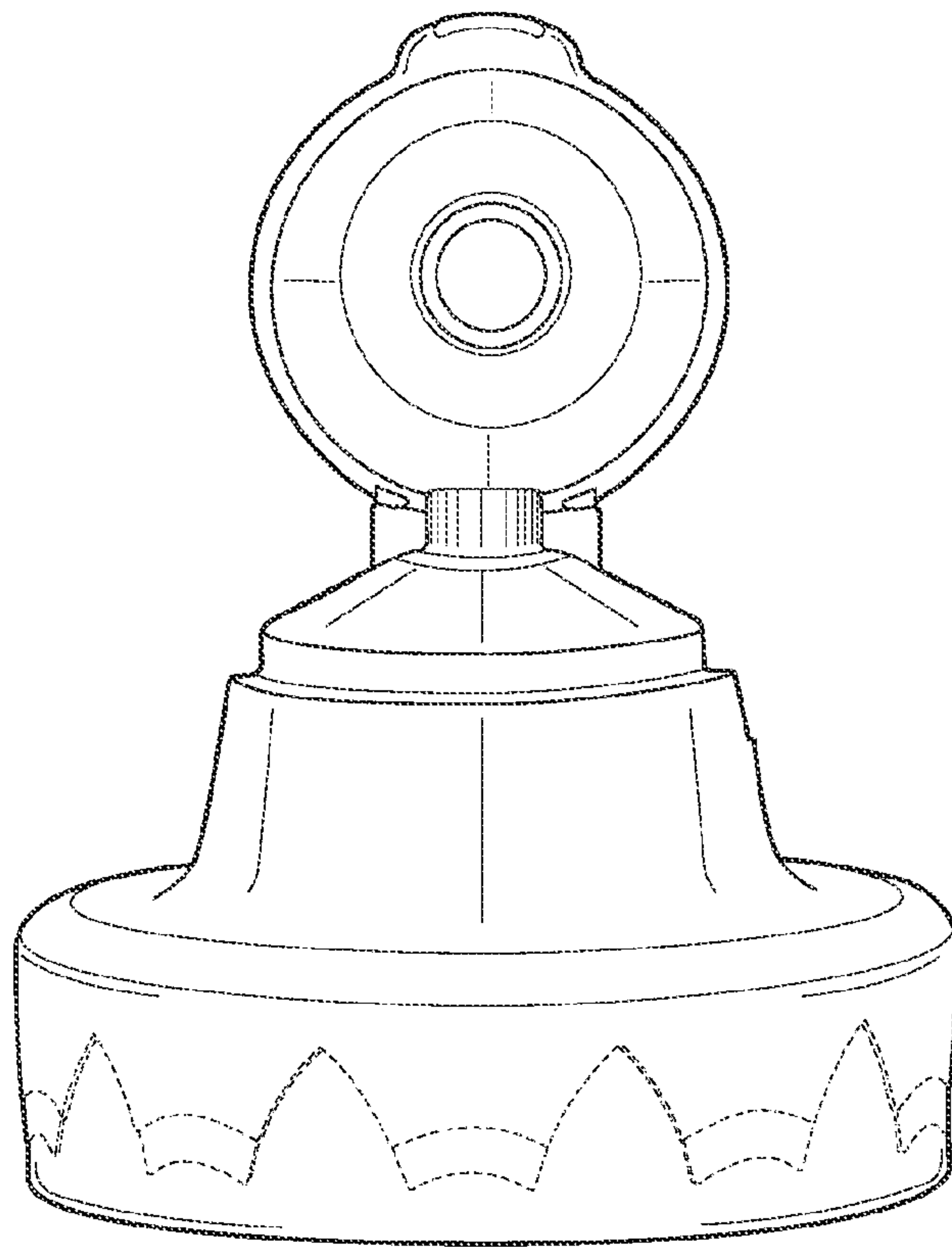


Fig. 2

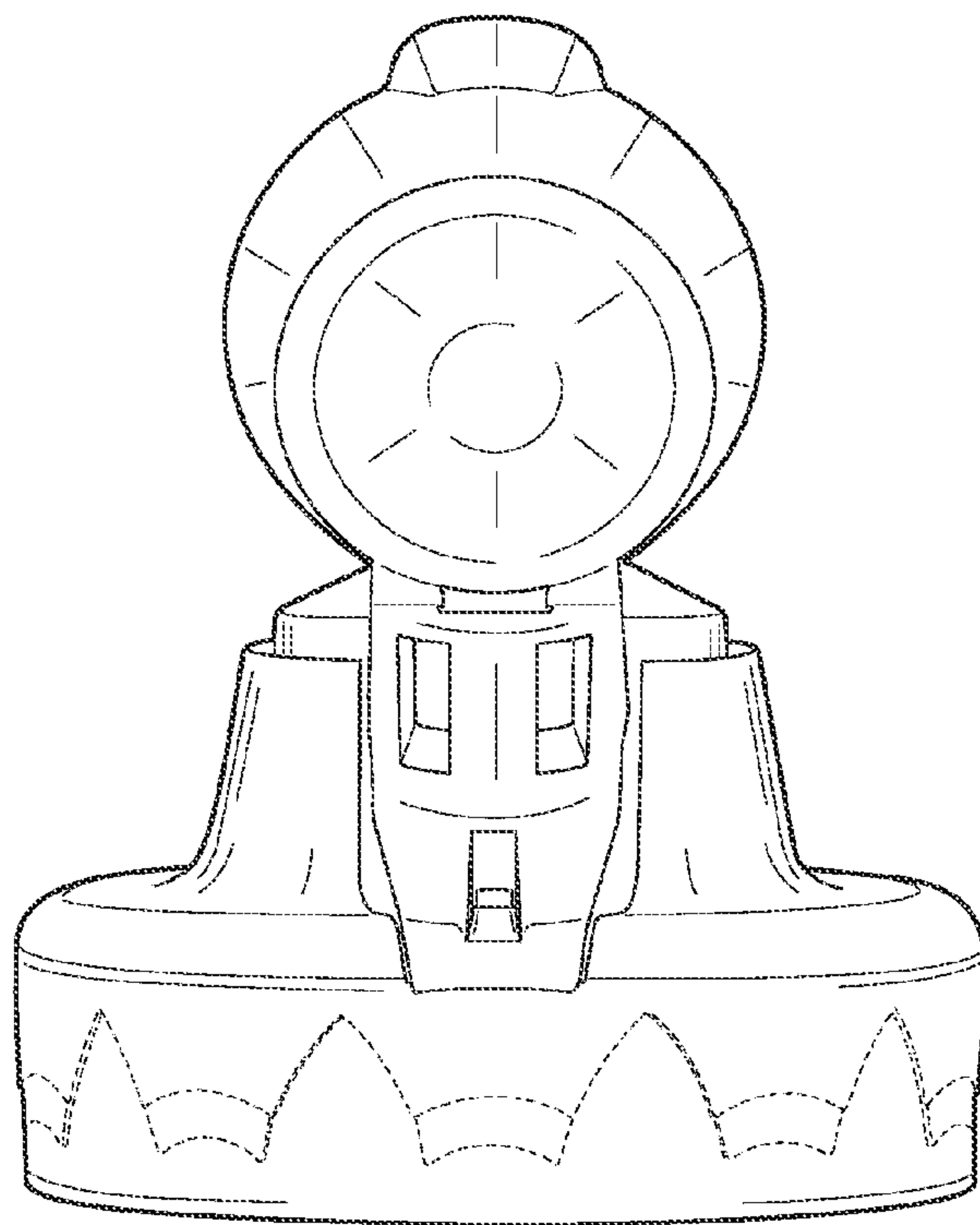


Fig. 3

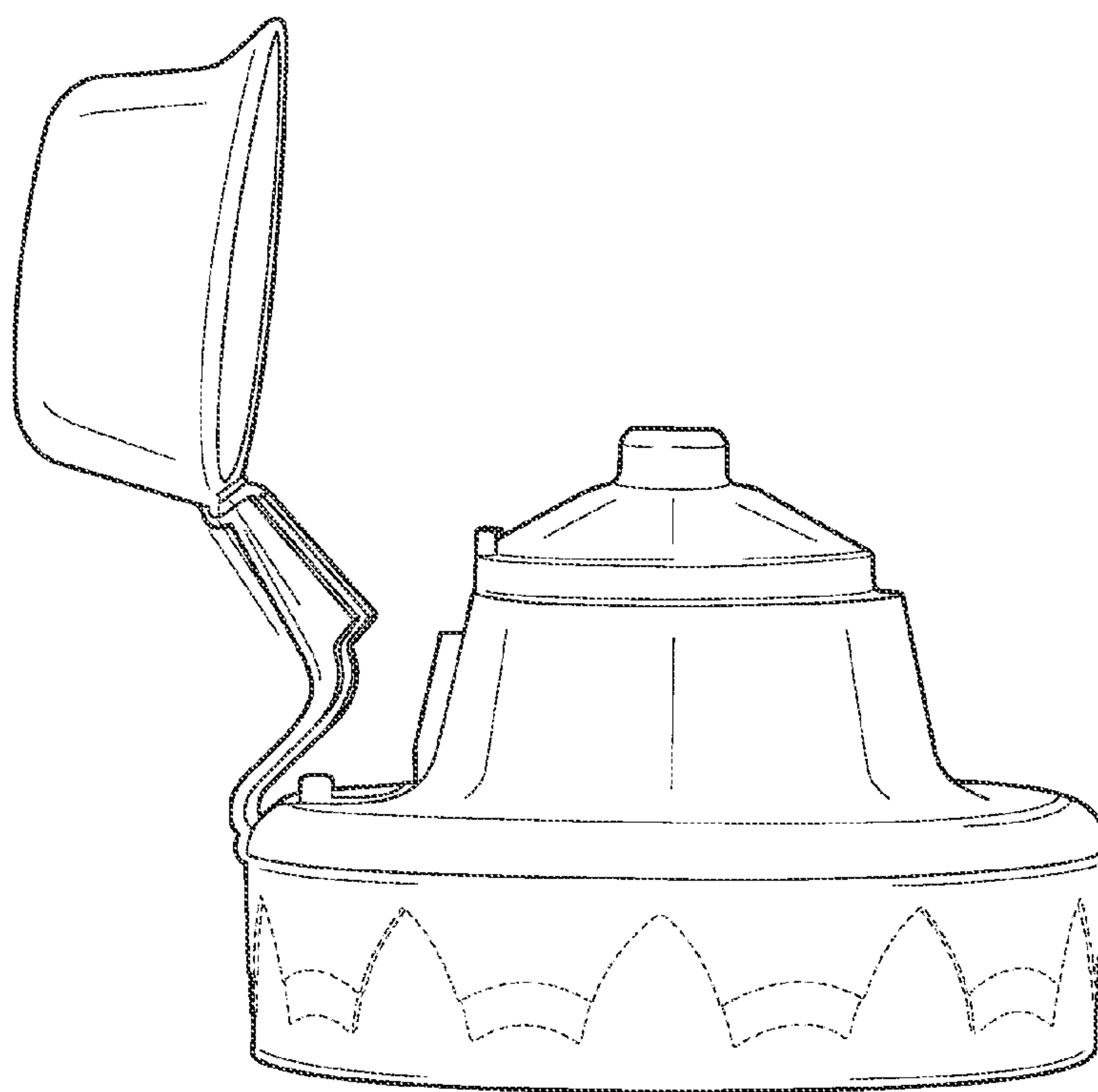


Fig. 4

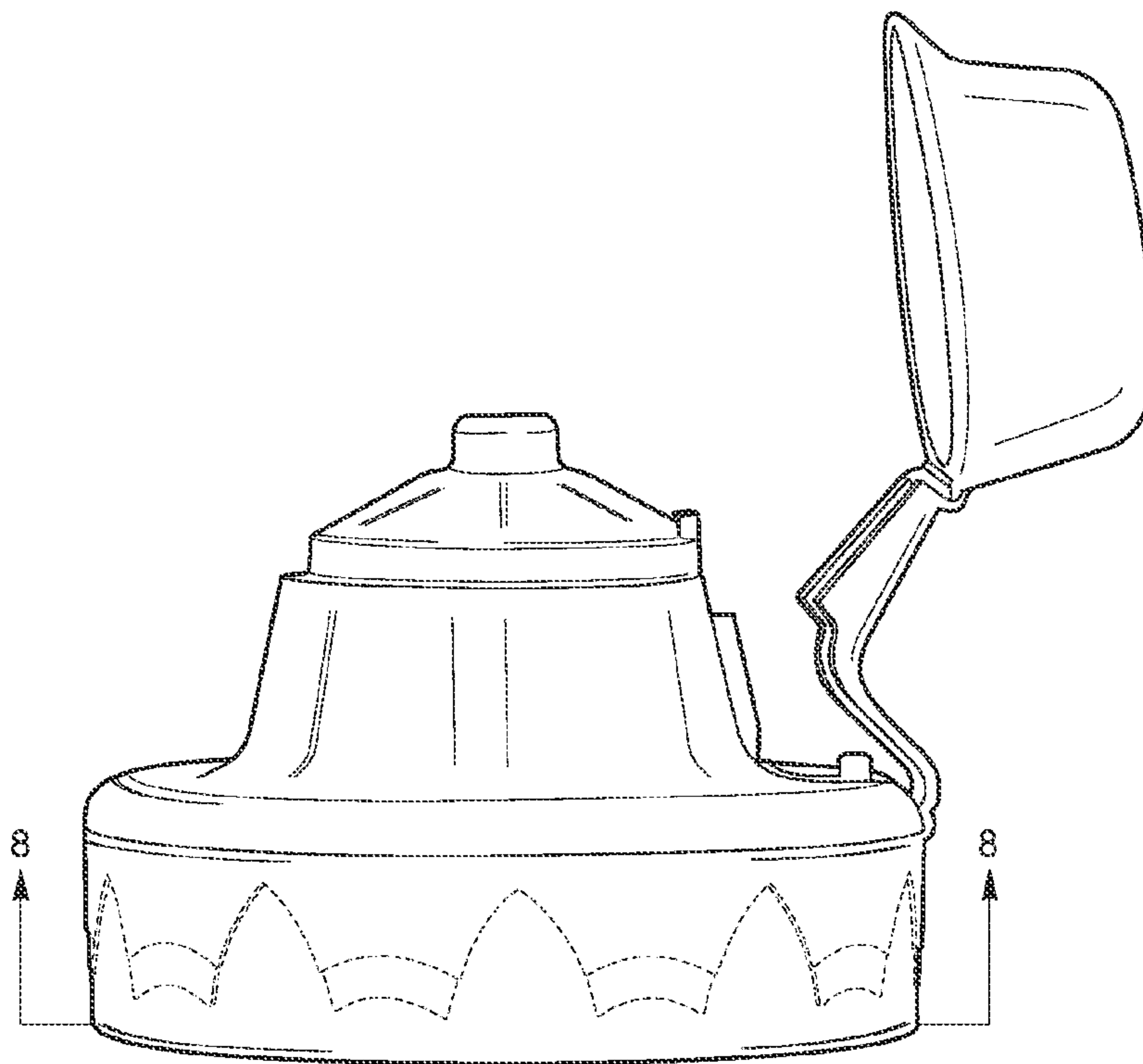


Fig. 5

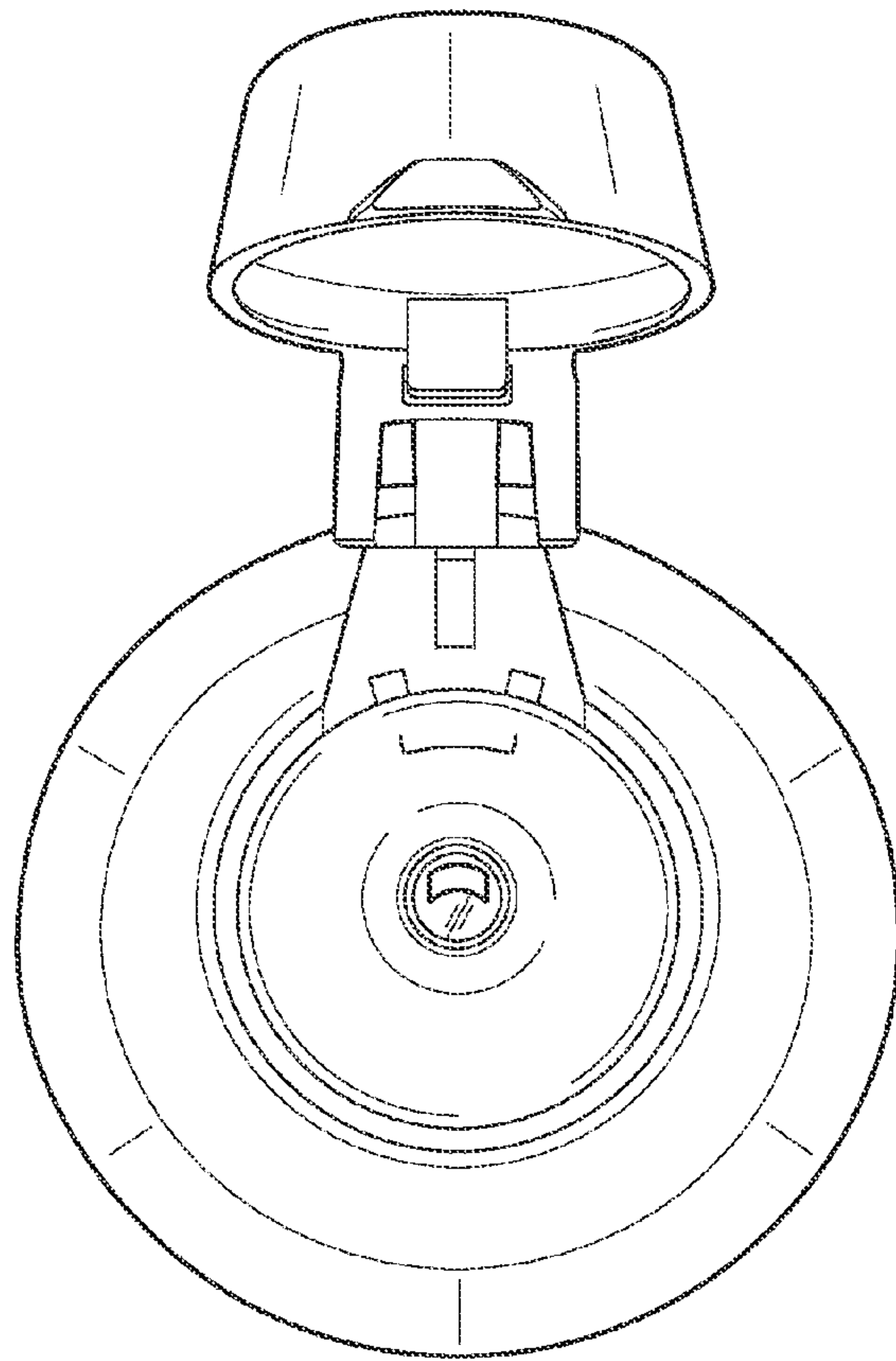


Fig. 6

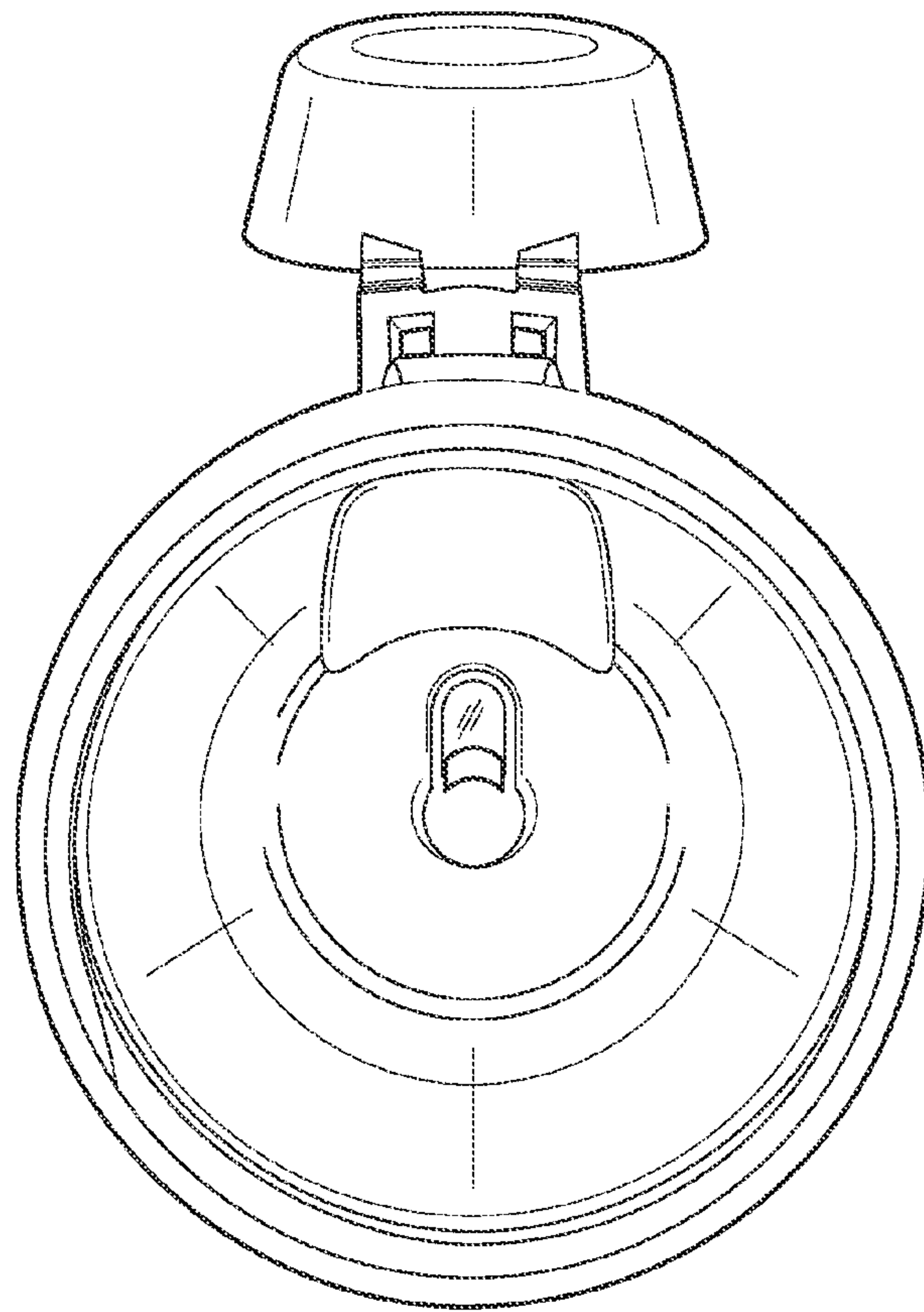


Fig. 7

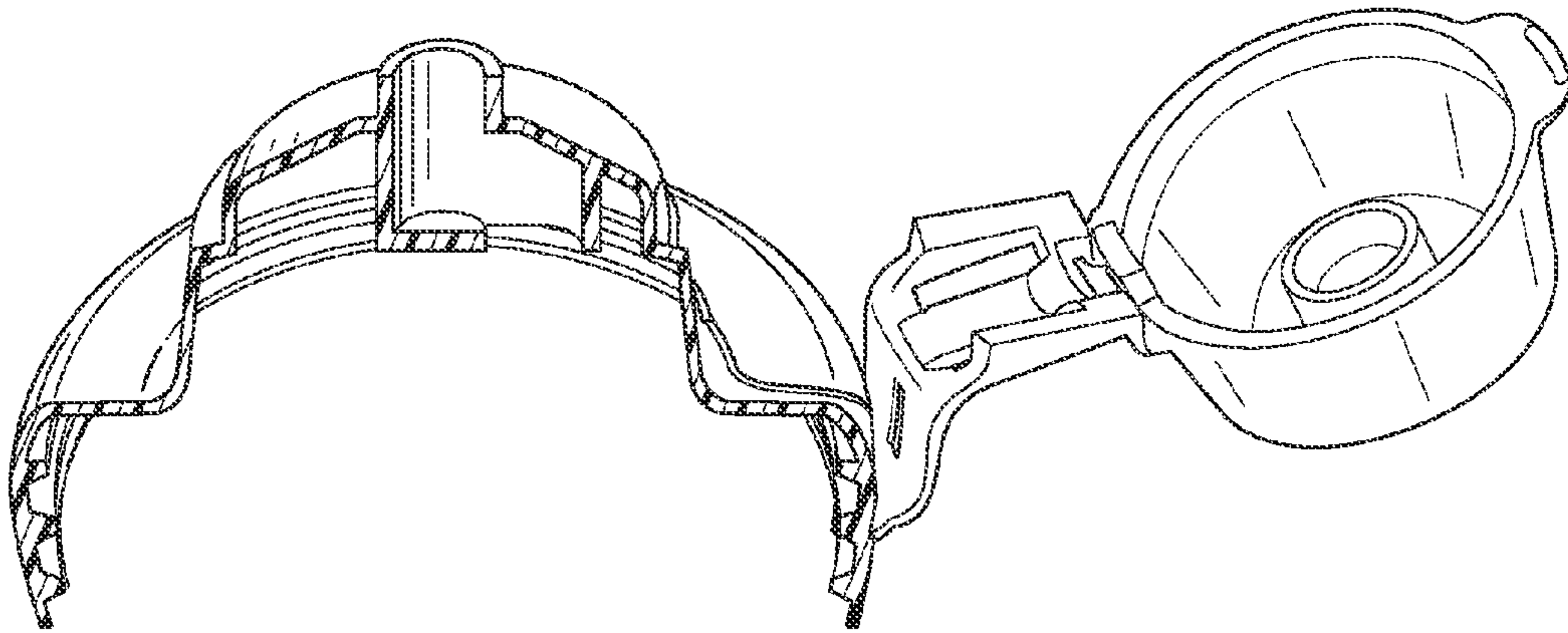


Fig. 8

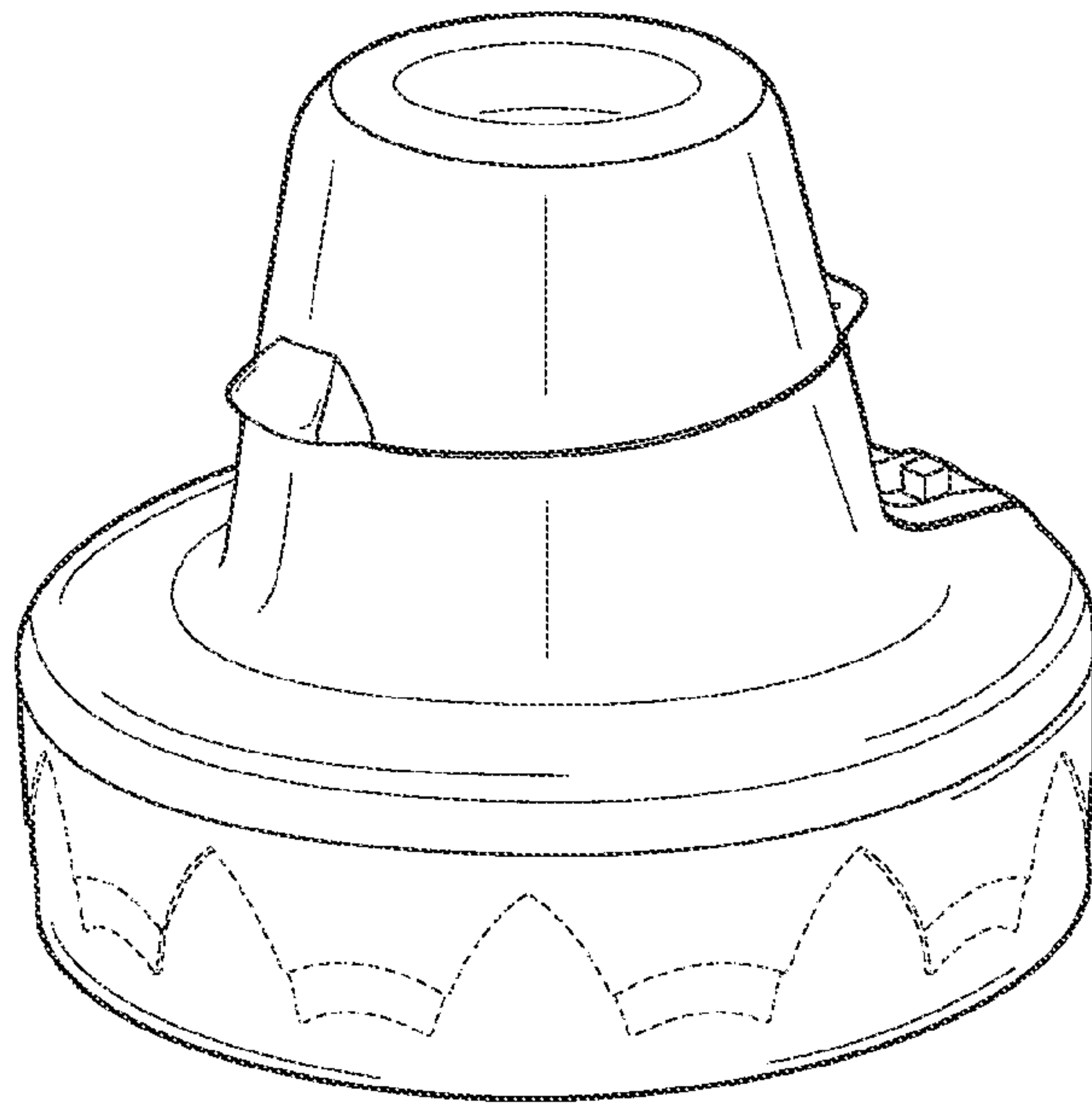


Fig. 9