



US00D621258S

(12) **United States Design Patent**  
**Gullickson et al.**

(10) **Patent No.:** **US D621,258 S**

(45) **Date of Patent:** **\*\* Aug. 10, 2010**

(54) **LID**

(76) Inventors: **Mark Gullickson**, 1018 Marine St., #8,  
Santa Monica, CA (US) 90405; **Erik R. Chin**,  
1536 Champion Hills La., Las Vegas, NV (US) 89134;  
**Jeffrey A. Higashi**, 2815 Sepulveda Blvd., #10,  
Torrance, CA (US) 90505; **Tola I. Chin**,  
1536 Champion Hills La., Las Vegas, NV  
(US) 89134

(\*\*) Term: **14 Years**

(21) Appl. No.: **29/353,496**

(22) Filed: **Jan. 8, 2010**

(51) **LOC (9) Cl.** ..... **09-07**

(52) **U.S. Cl.** ..... **D9/443**

(58) **Field of Classification Search** ..... D9/631,  
D9/456, 453, 451, 450, 449, 448, 447, 443,  
D9/436, 435; D7/511, 396.2, 394, 393, 392.1,  
D7/314, 305; 222/83, 81, 556, 533, 530,  
222/519, 205, 192, 158, 153.07; 220/212.5,  
220/200; 215/306, 305, 228, 200; 206/541,  
206/222, 221, 220, 219, 216

See application file for complete search history.

(56) **References Cited**

**U.S. PATENT DOCUMENTS**

D235,303 S *	6/1975	Boucher	.....	D7/672
D332,379 S *	1/1993	Murphy	.....	D7/391
D422,503 S *	4/2000	Lehn	.....	D9/503
D422,916 S *	4/2000	Herrmann	.....	D9/501
D458,133 S *	6/2002	Berish et al.	.....	D9/443
D458,134 S *	6/2002	Berish et al.	.....	D9/443
D479,800 S *	9/2003	McRae	.....	D9/443

D482,607 S *	11/2003	McRae	.....	D9/614
D485,757 S *	1/2004	Roth et al.	.....	D9/443
D519,380 S *	4/2006	Leoncavallo et al.	.....	D9/530
D524,909 S *	7/2006	Bakke et al.	.....	D23/233
D539,607 S *	4/2007	Lapsker	.....	D7/510

(Continued)

**OTHER PUBLICATIONS**

<http://mysigg.com/index.asp?PageAction=VIEWCATS&Category=64>, Downloaded From Internet Mar. 26, 2010.\*

*Primary Examiner*—Susan Bennett Hattan

(74) *Attorney, Agent, or Firm*—Booth Udall, PLC; Steven J. Laureanti

(57) **CLAIM**

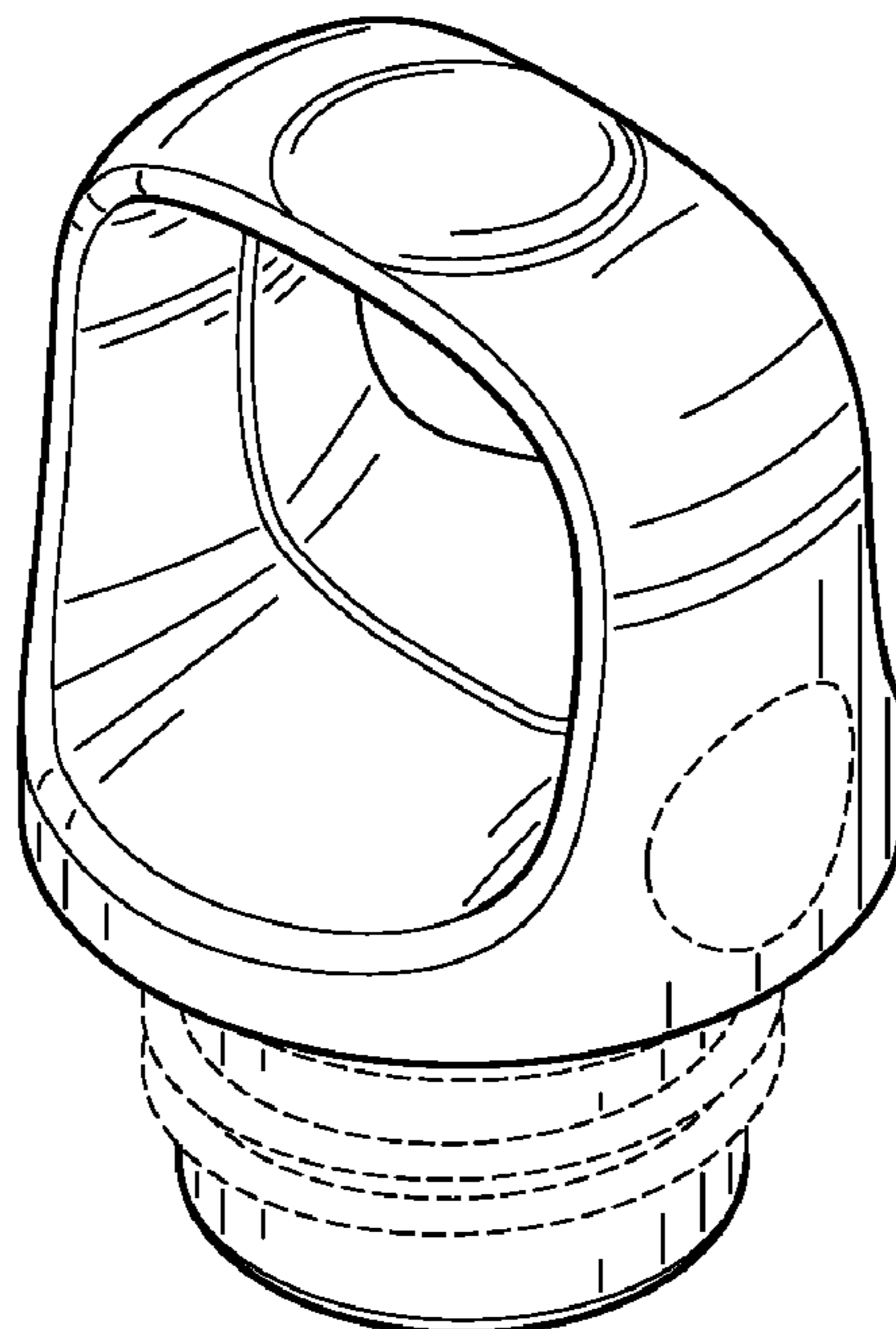
The ornamental design for an ornamental lid, as shown and described.

**DESCRIPTION**

FIG. 1 is a perspective view of the present invention;  
FIG. 2 is a front view of the present invention;  
FIG. 3 is a right side view of the present invention;  
FIG. 4 is a left side view of the present invention;  
FIG. 5 is a back view of the present invention;  
FIG. 6 is a top view of the present invention; and,  
FIG. 7 is a bottom view of the present invention.

The broken lines in FIGS. 1-5 and 7 immediately adjacent the solid lines represent the bounds of the claim, and the broken lines and the area within the broken lines represent unclaimed portions of the present invention. None of the broken lines form a part of the claimed design.

**1 Claim, 2 Drawing Sheets**



# US D621,258 S

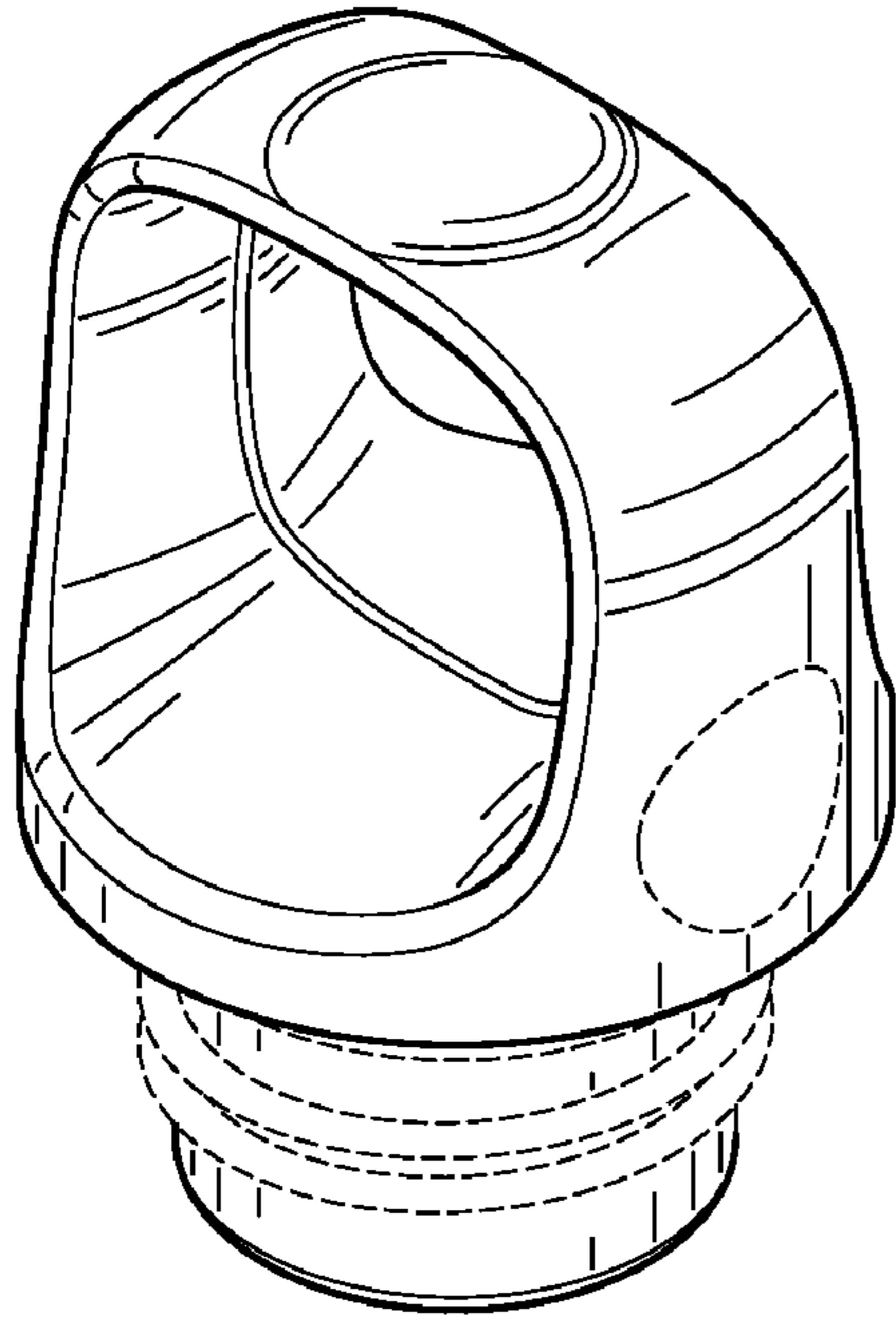
Page 2

---

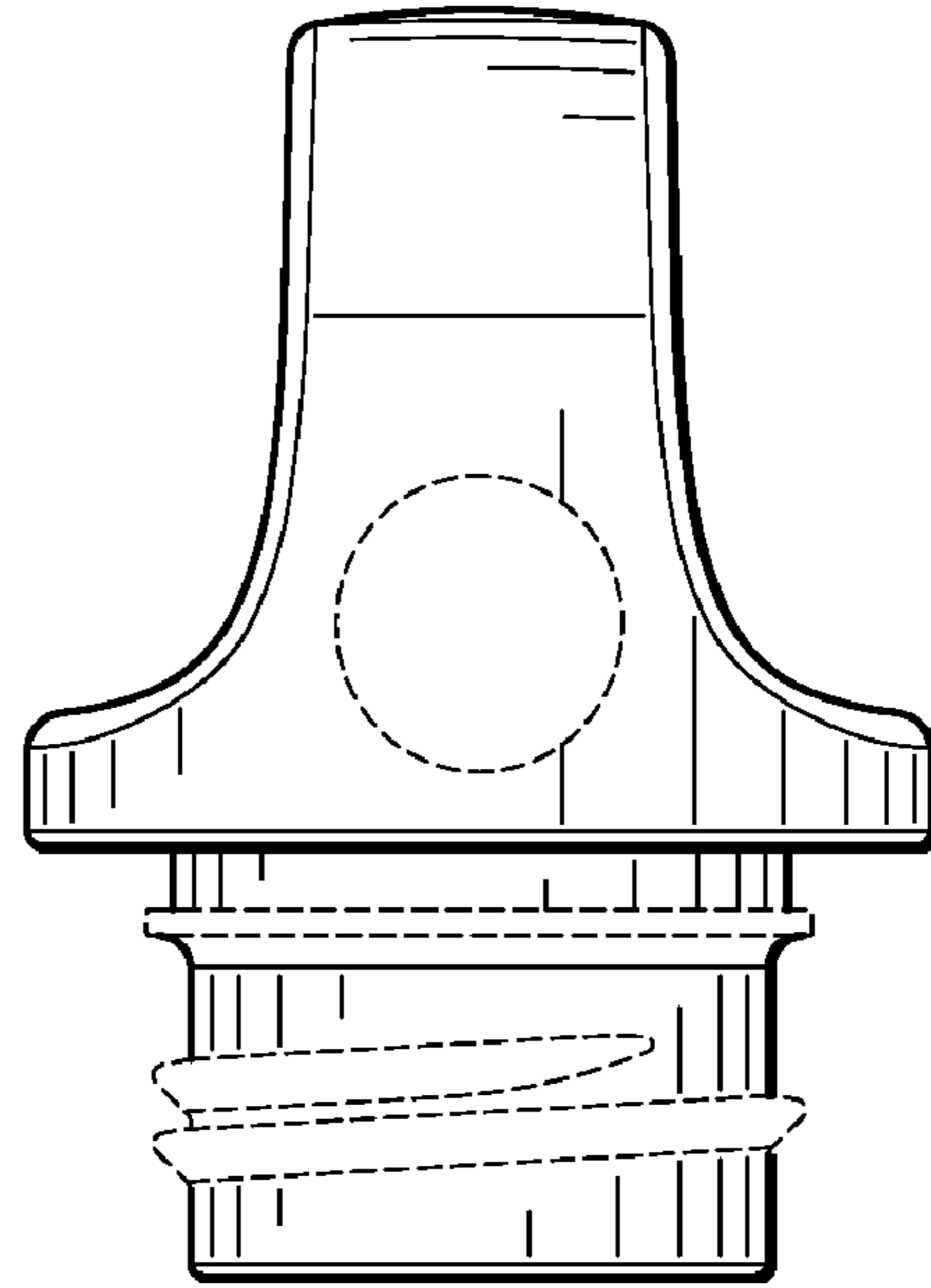
## U.S. PATENT DOCUMENTS

D542,598 S *	5/2007	Karp .....	D7/510	D572,585 S *	7/2008	Perrin et al. ....	D9/443
D543,776 S *	6/2007	Yelland .....	D7/392.1	D599,664 S *	9/2009	Fujinami et al. ....	D9/443
D547,607 S *	7/2007	Forsman .....	D7/396.2	2004/0217139 A1*	11/2004	Roth et al. ....	224/148.7

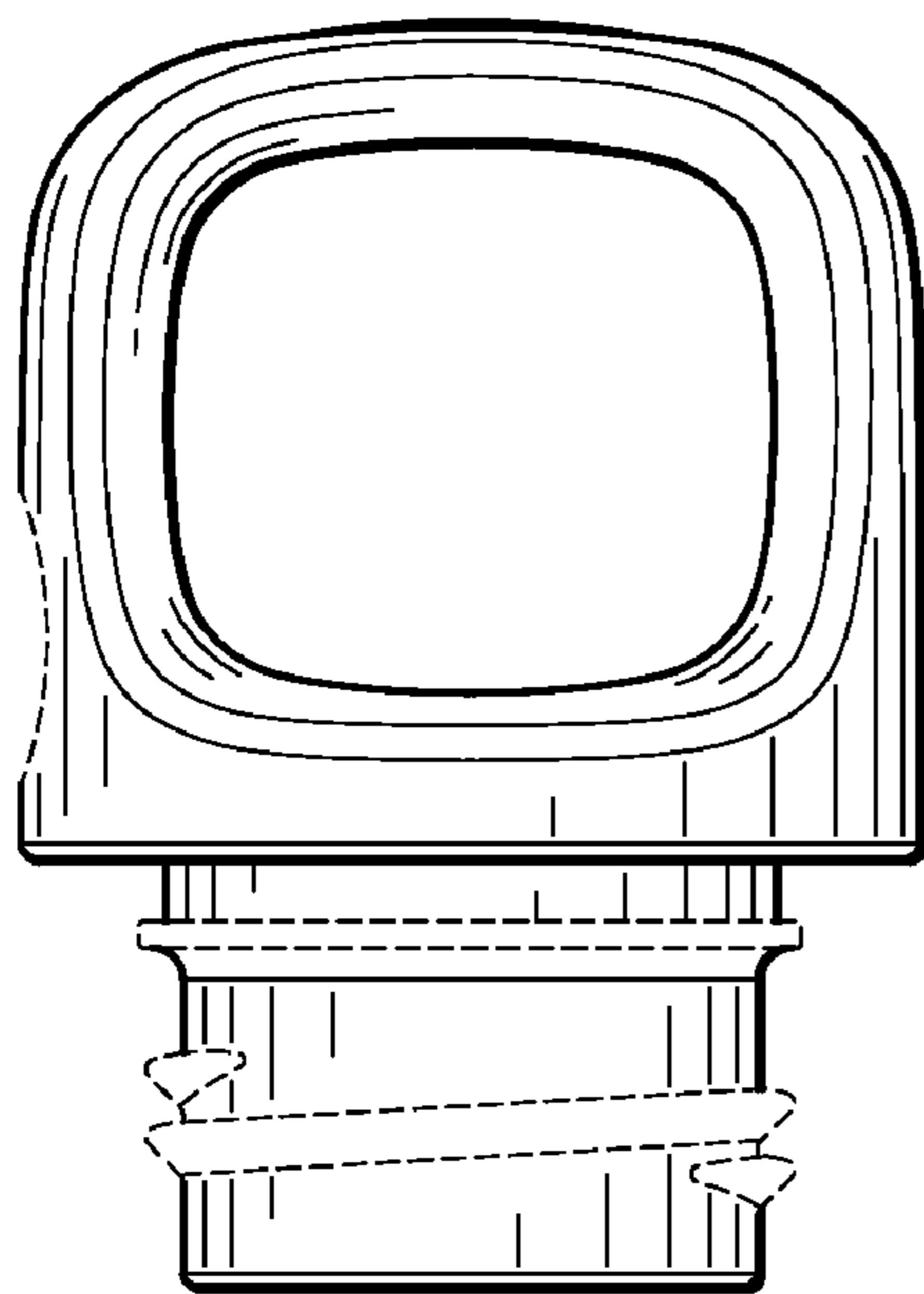
\* cited by examiner



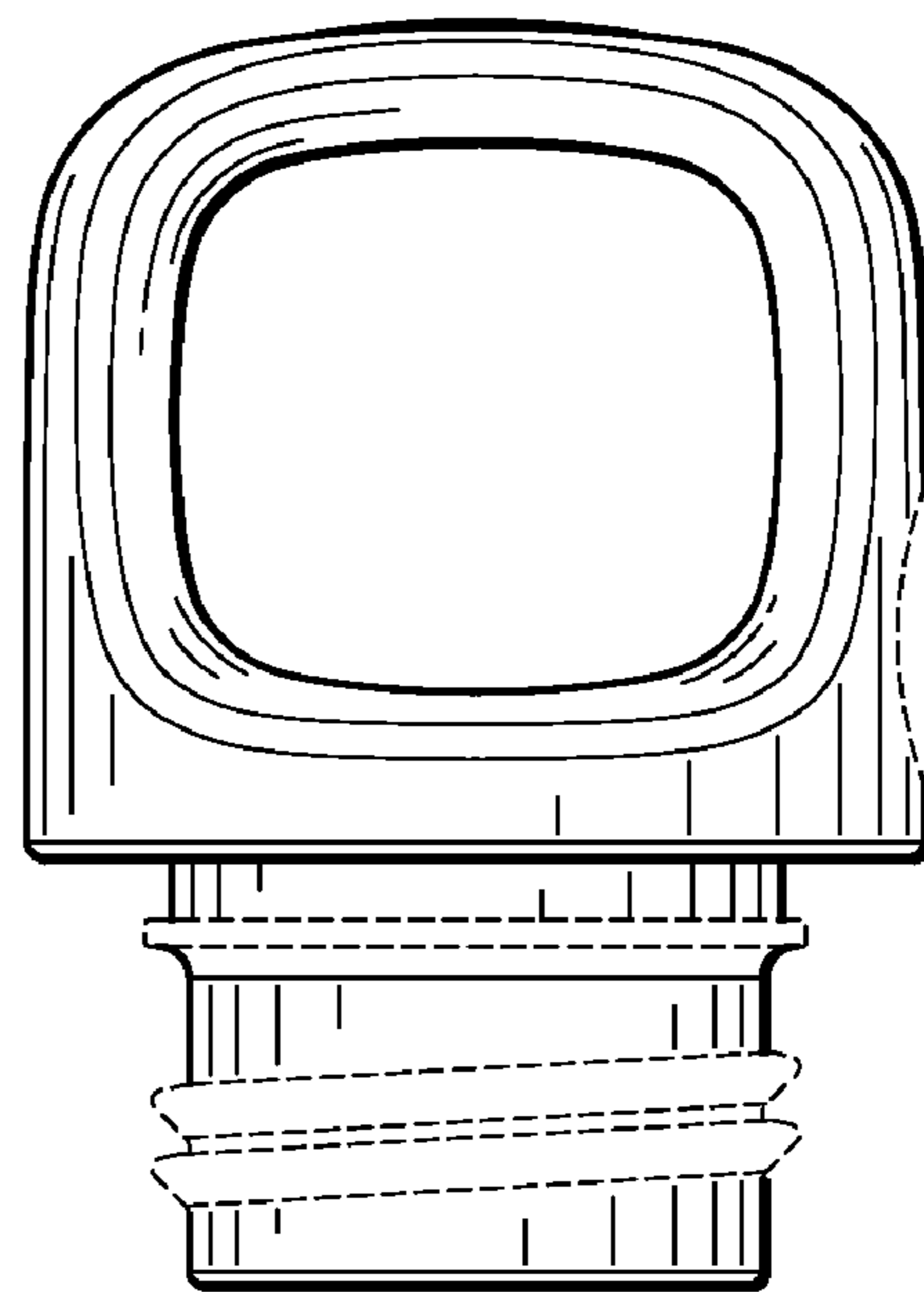
*FIG. 1*



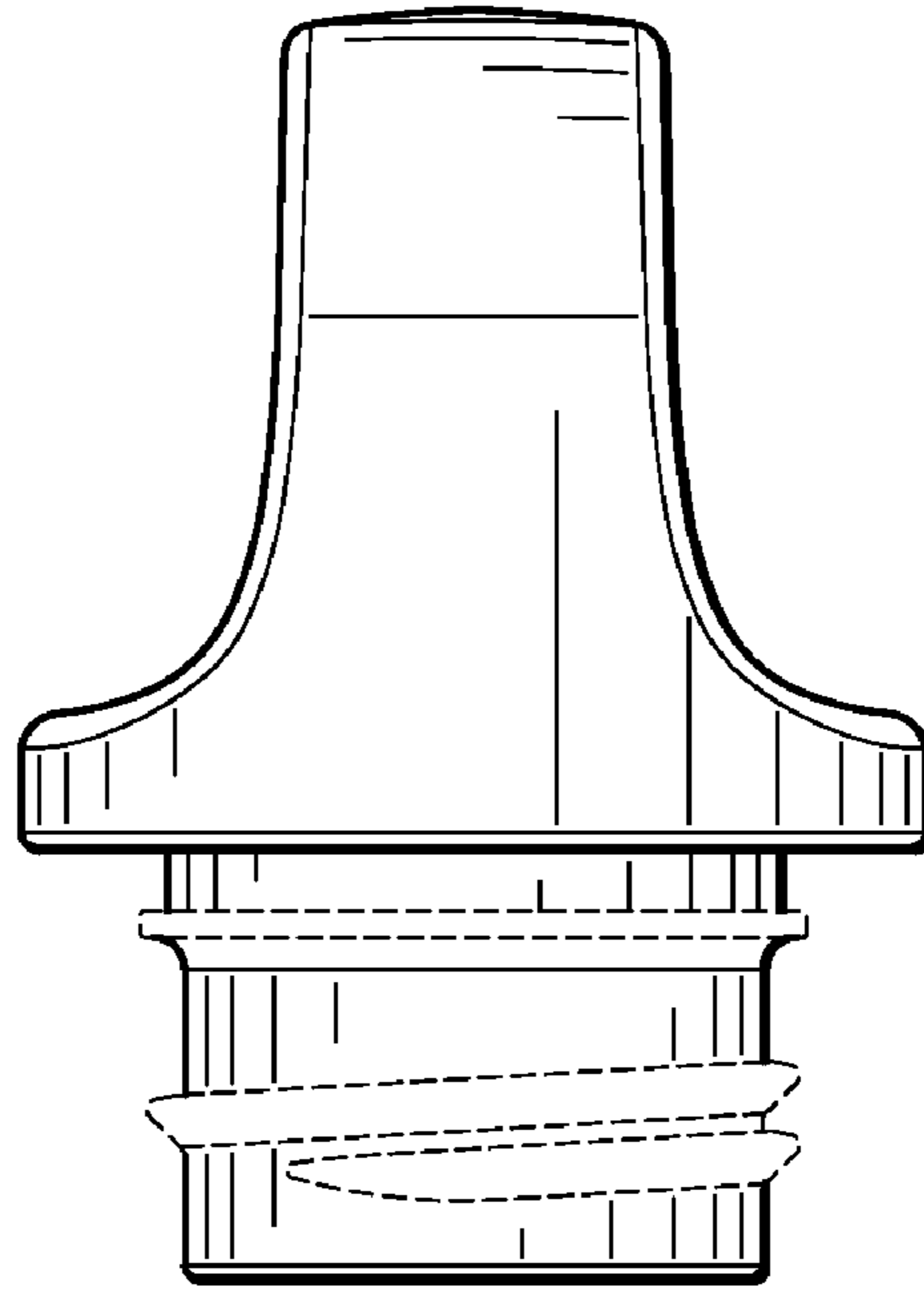
*FIG. 2*



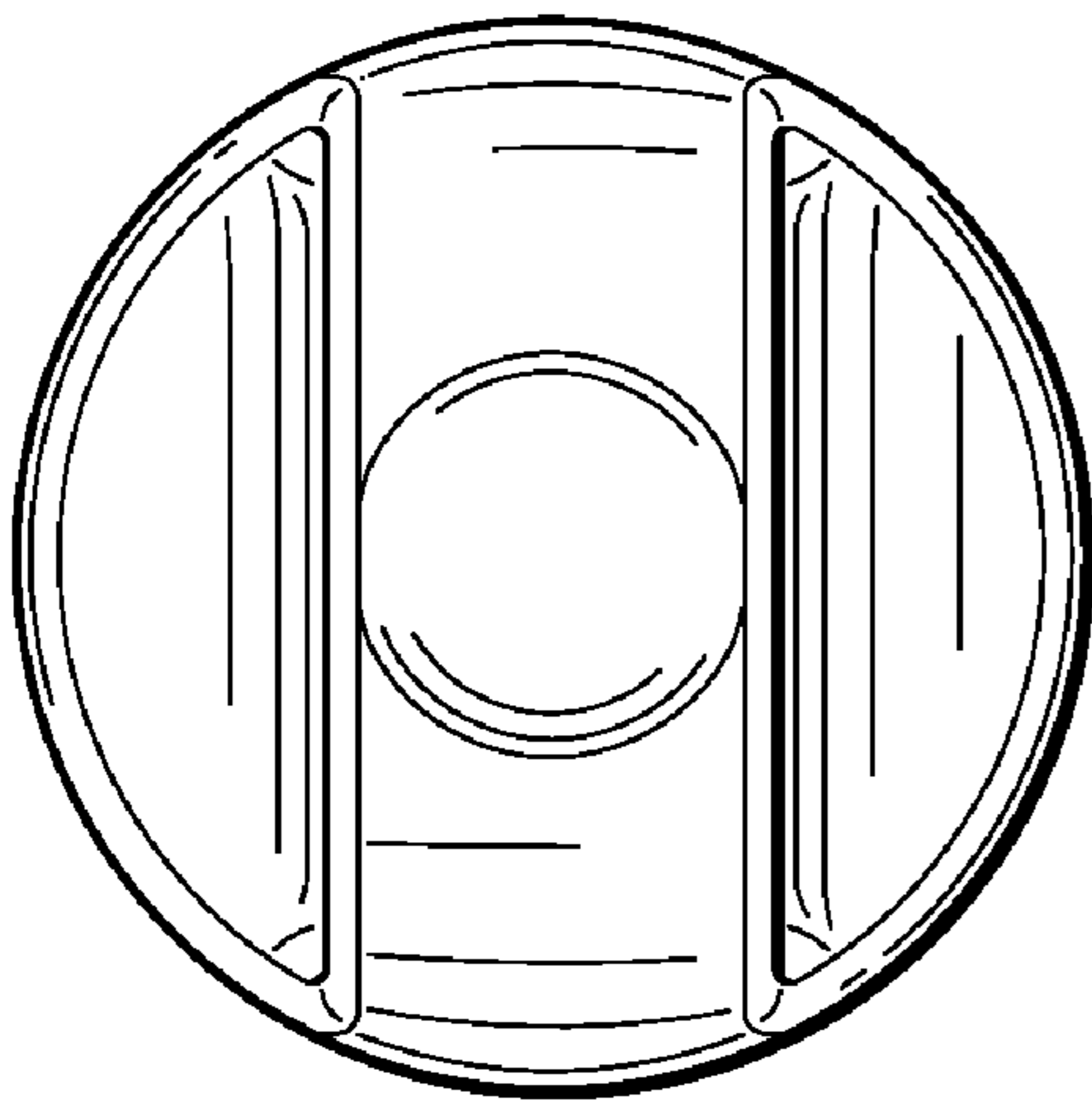
*FIG. 3*



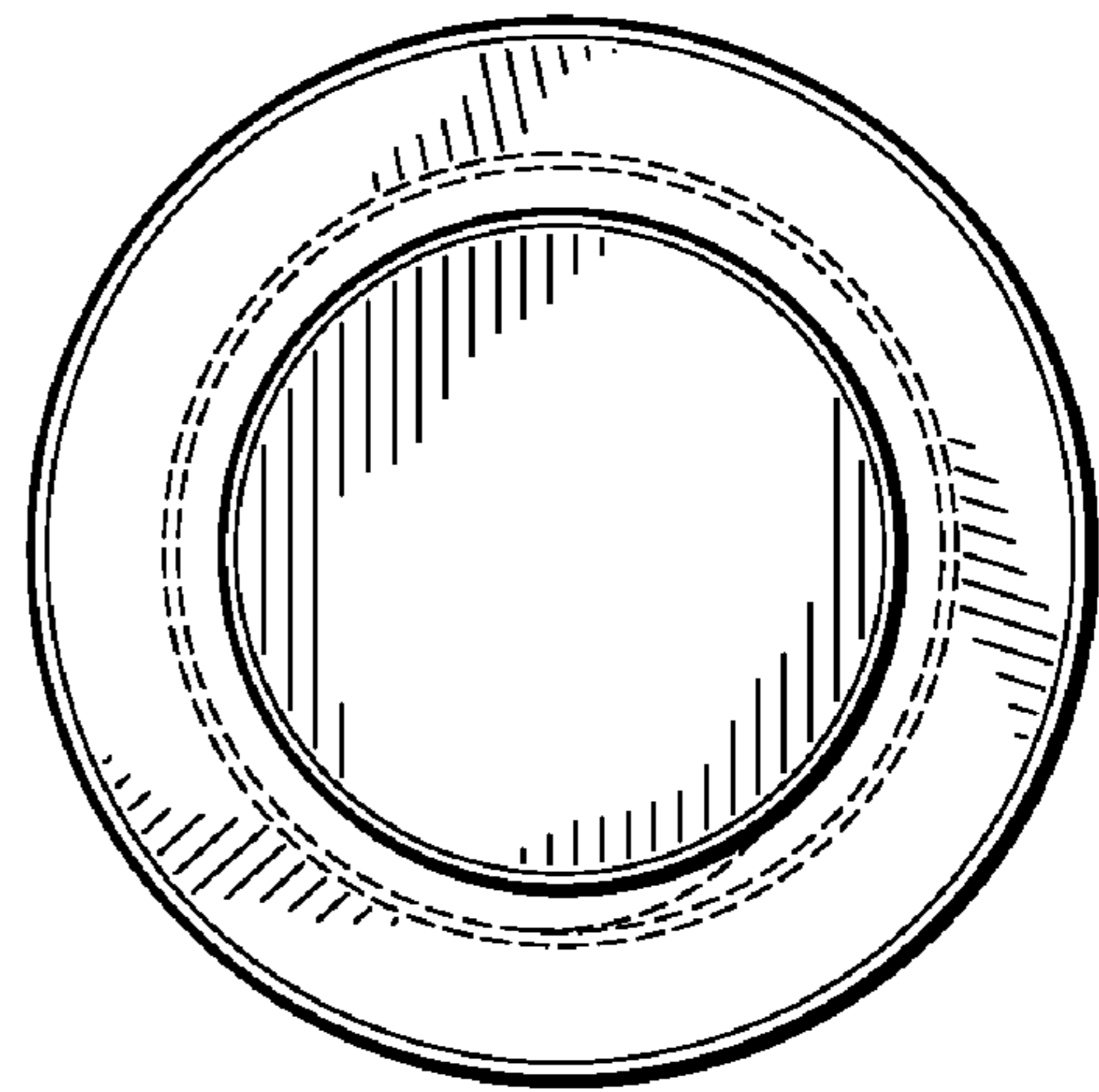
*FIG. 4*



*FIG. 5*



*FIG. 6*



*FIG. 7*