



US00D621257S

(12) **United States Design Patent**
Gullickson et al.

(10) **Patent No.:** **US D621,257 S**
(45) **Date of Patent:** **** Aug. 10, 2010**

(54) **LID**

(76) Inventors: **Mark Gullickson**, 1018 Marine St., #8,
Santa Monica, CA (US) 90405; **Erik R. Chin**, 1536 Champion Hills La., Las
Vegas, NV (US) 89134; **Jeffrey A. Higashi**, 2815 Sepulveda Blvd., #10,
Torrance, CA (US) 90505; **Tola I. Chin**,
1536 Champion Hills La., Las Vegas, NV
(US) 89134

(**) Term: **14 Years**

(21) Appl. No.: **29/352,924**

(22) Filed: **Dec. 29, 2009**

(51) **LOC (9) Cl.** **09-07**

(52) **U.S. Cl.** **D9/443**

(58) **Field of Classification Search** D9/631,
D9/456, 453, 451, 450, 449, 448, 447, 443,
D9/436, 435; D7/511, 396.2, 394, 393, 392.1,
D7/314, 305; 222/83, 81, 556, 533, 530,
222/519, 205, 192, 158, 153.07; 220/212.5,
220/200; 215/306, 305, 228, 200; 206/541,
206/222, 221, 220, 219, 216
See application file for complete search history.

(56) **References Cited**

U.S. PATENT DOCUMENTS

D235,303 S * 6/1975 Boucher D7/672
D332,379 S * 1/1993 Murphy D7/391
D422,503 S * 4/2000 Lehn D9/503
D422,916 S * 4/2000 Herrmann D9/501
D458,133 S * 6/2002 Berish et al. D9/443
D458,134 S * 6/2002 Berish et al. D9/443

D479,800 S * 9/2003 McRae D9/443
D482,607 S * 11/2003 McRae D9/614
D485,757 S * 1/2004 Roth et al. D9/443
D519,380 S * 4/2006 Leoncavallo et al. D9/530

(Continued)

OTHER PUBLICATIONS

<http://mysigg.com/index.asp?PageAction=VIEWCATS&Category=64>, Downloaded From Internet Mar. 26, 2010.*

Primary Examiner—Susan Bennett Hattan
(74) *Attorney, Agent, or Firm*—Booth Udall, PLC; Steven J. Laureanti

(57) **CLAIM**

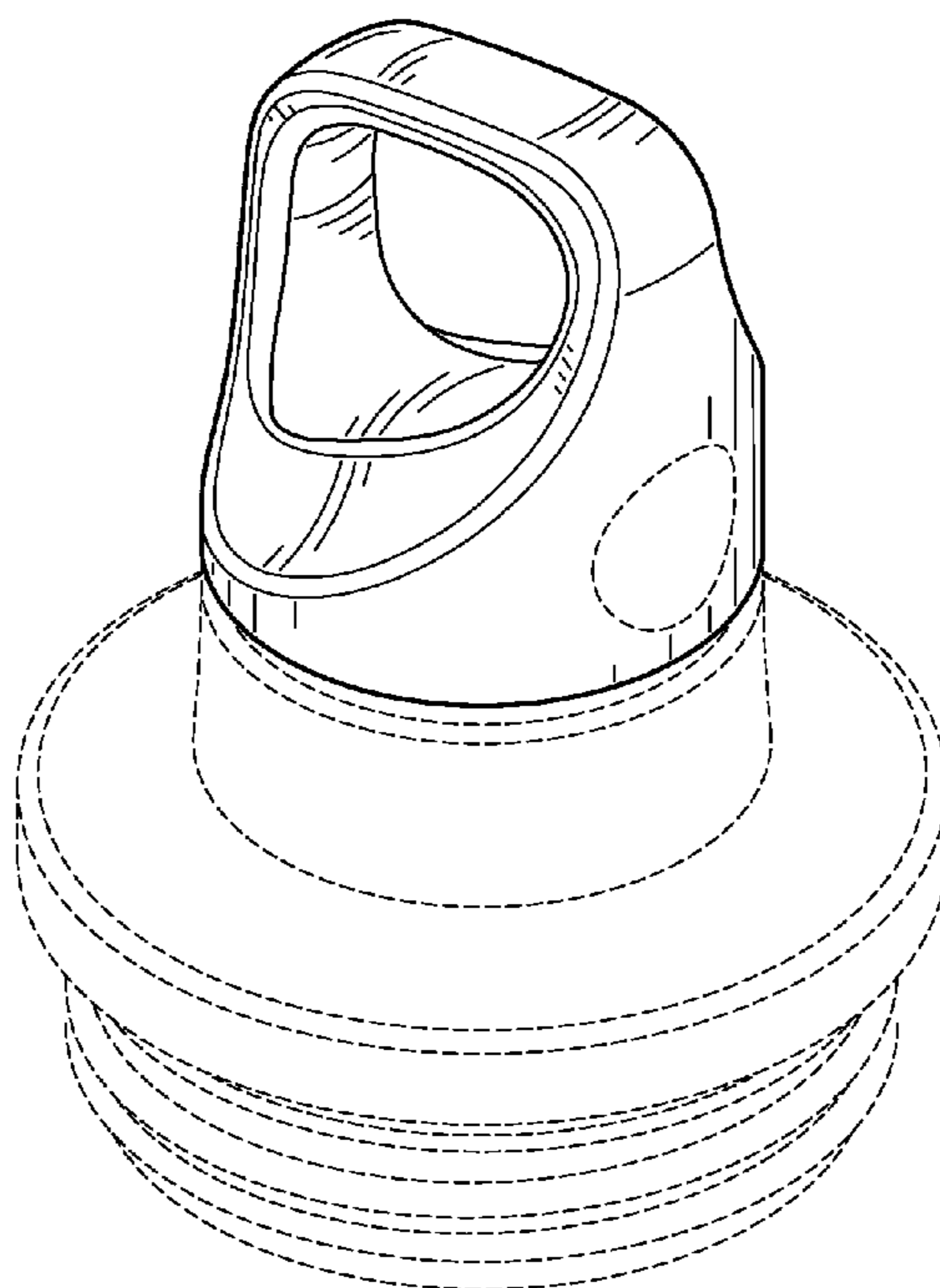
The ornamental design for an ornamental lid, as shown and described.

DESCRIPTION

FIG. 1 is a perspective view of the present invention;
FIG. 2 is another perspective view of the present invention;
FIG. 3 is a front view of the present invention;
FIG. 4 is a right side view of the present invention;
FIG. 5 is a left side view of the present invention;
FIG. 6 is a back view of the present invention;
FIG. 7 is a top view of the present invention; and,
FIG. 8 is a bottom view of the present invention.

The broken lines in FIGS. 1-6 and 8 immediately adjacent the solid lines represent the bounds of the claim, and the broken lines and the area within the broken lines represent unclaimed portions of the present invention. None of the broken lines form a part of the claimed design.

1 Claim, 3 Drawing Sheets



US D621,257 S

Page 2

U.S. PATENT DOCUMENTS

D524,909 S *	7/2006	Bakke et al.	D23/233	D547,607 S *	7/2007	Forsman	D7/396.2
D539,607 S *	4/2007	Lapsker	D7/510	D572,585 S *	7/2008	Perrin et al.	D9/443
D542,598 S *	5/2007	Karp	D7/510	D599,664 S *	9/2009	Fujinami et al.	D9/443
D543,776 S *	6/2007	Yelland	D7/392.1	D608,195 S *	1/2010	Germann	D9/443
					2004/0217139 A1 *	11/2004	Roth et al.	224/148.7

* cited by examiner

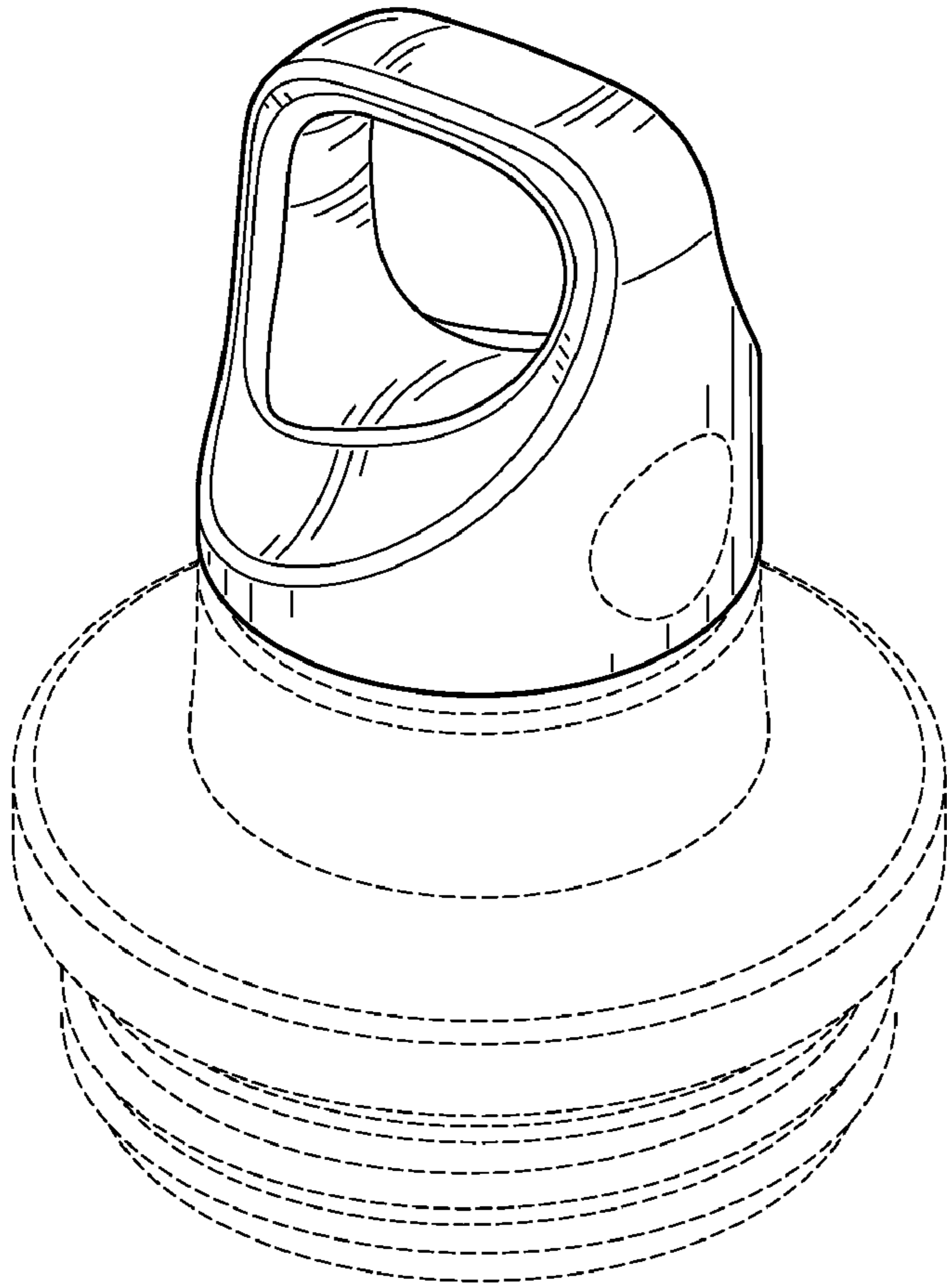


FIG. 1

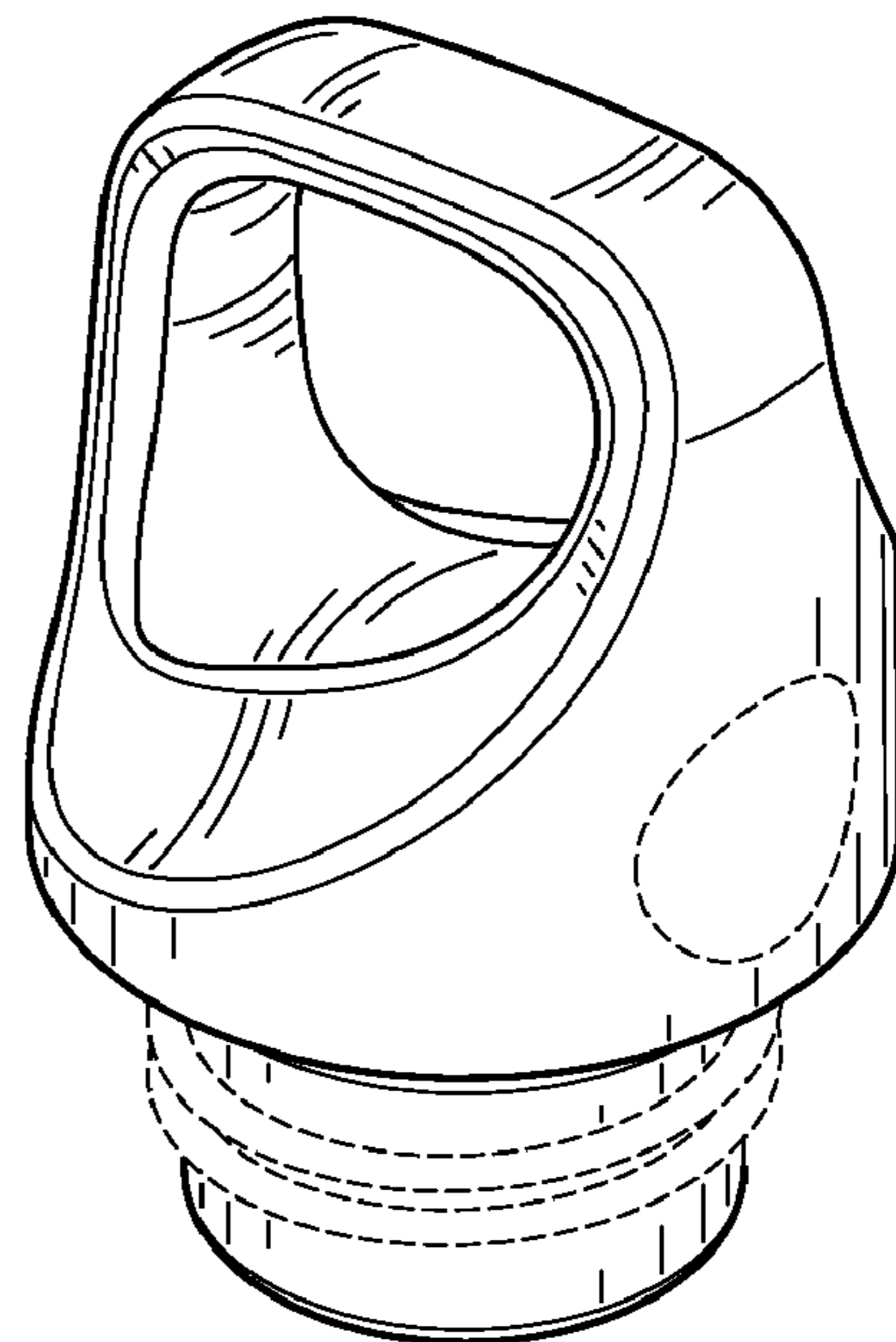


FIG. 2

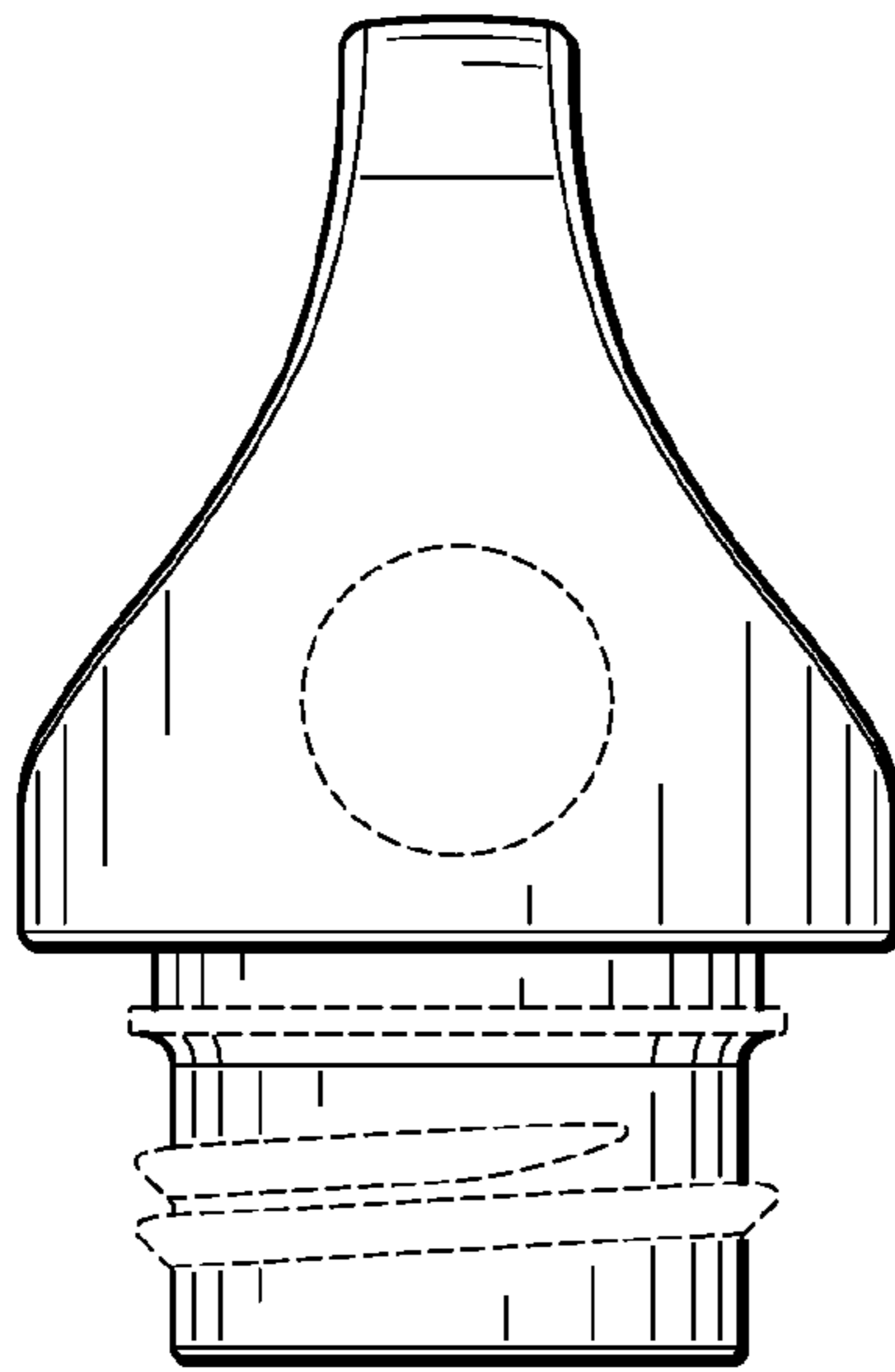


FIG. 3

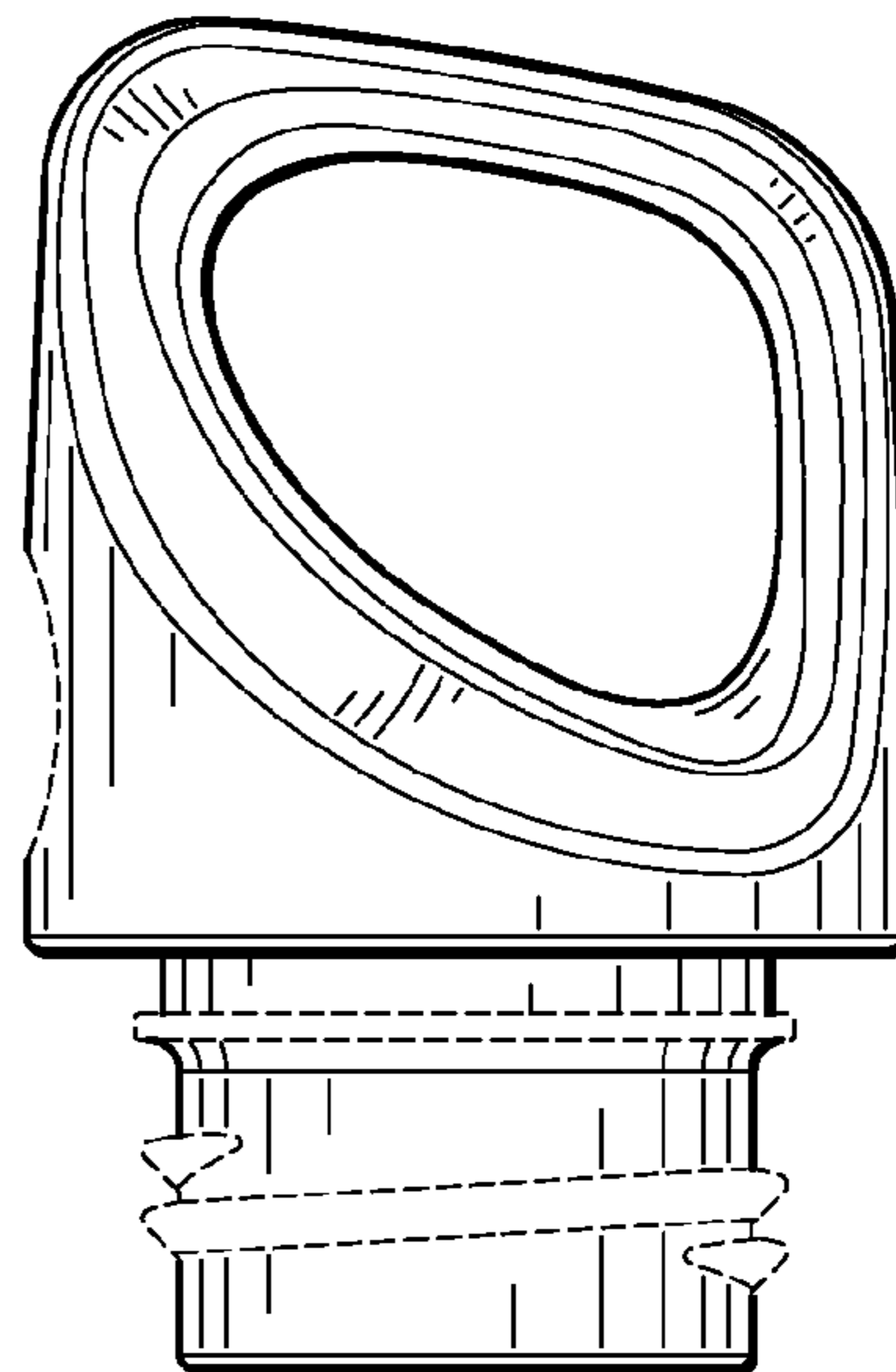


FIG. 4

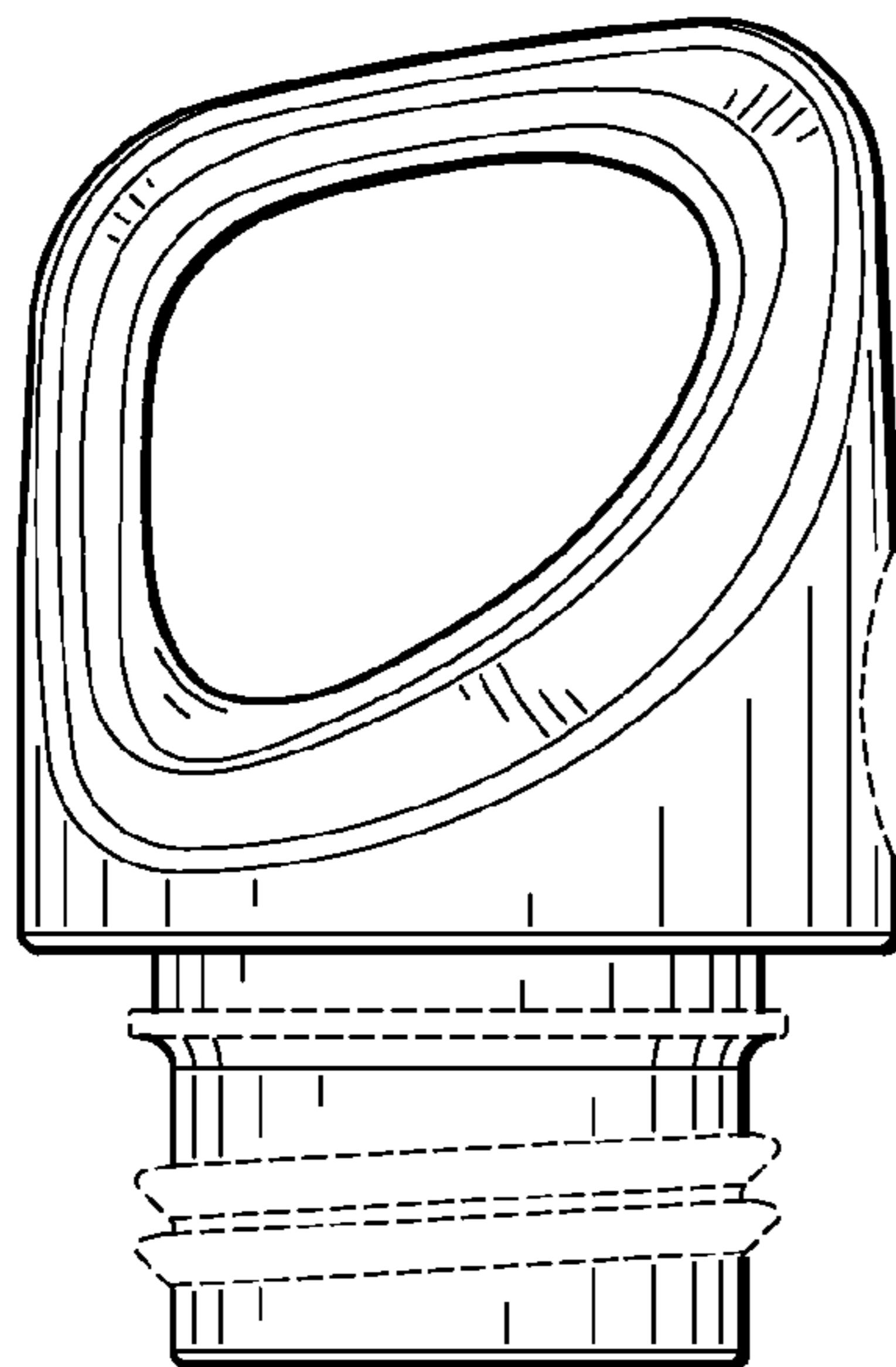


FIG. 5

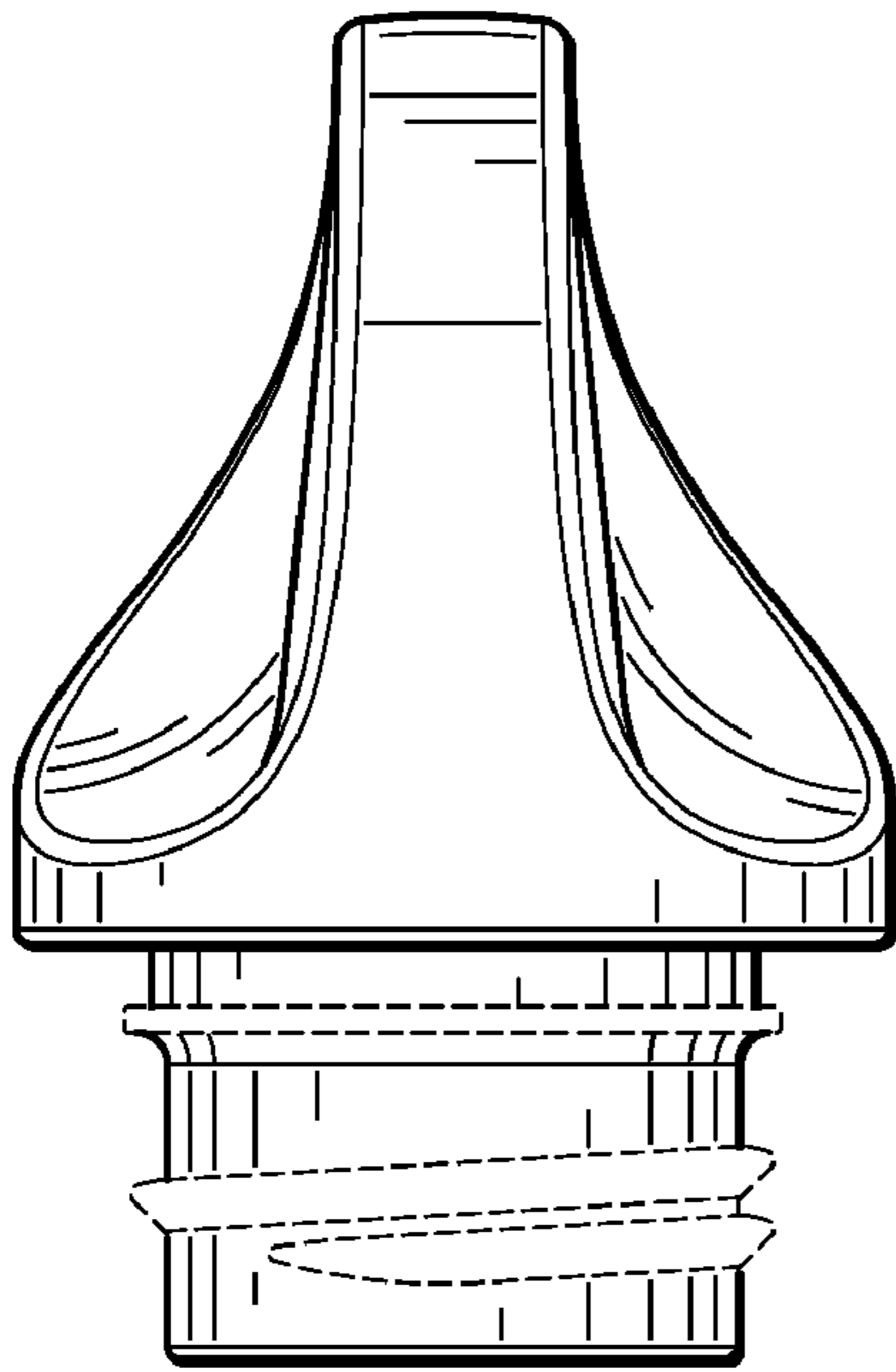


FIG. 6

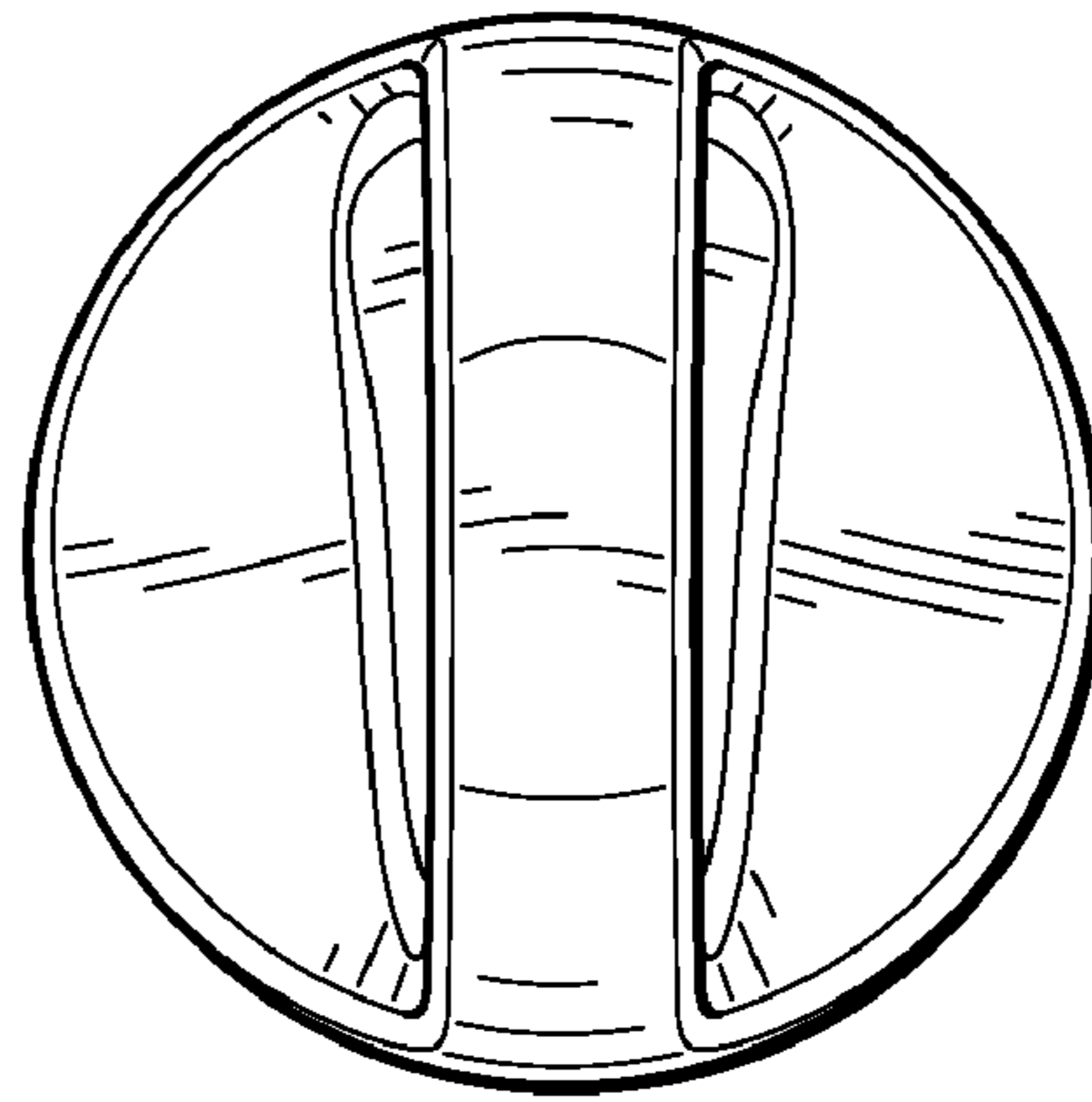


FIG. 7

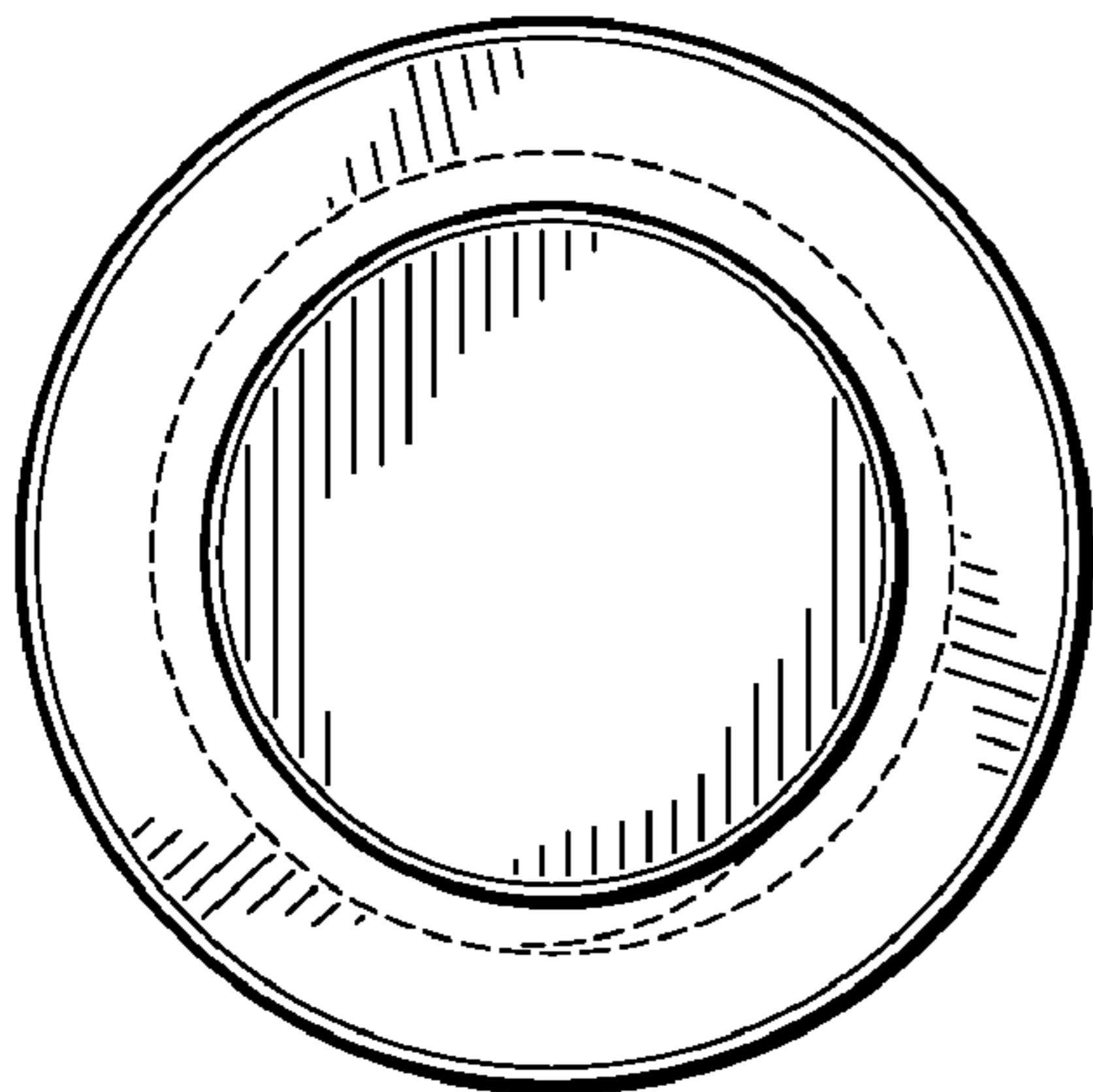


FIG. 8