



US00D621256S

(12) **United States Design Patent**
Andre et al.

(10) **Patent No.:** **US D621,256 S**
(45) **Date of Patent:** **** Aug. 10, 2010**

(54) **PACKAGING**

(75) Inventors: **Bartley K. Andre**, Menlo Park, CA (US); **Daniel J. Coster**, San Francisco, CA (US); **Daniele De Iuliis**, San Francisco, CA (US); **Richard P. Howarth**, San Francisco, CA (US); **Jonathan P. Ive**, San Francisco, CA (US); **Steve Jobs**, Palo Alto, CA (US); **Duncan Robert Kerr**, San Francisco, CA (US); **Shin Nishibori**, San Francisco, CA (US); **Matthew Dean Rohrbach**, San Francisco, CA (US); **Peter Russell-Clarke**, San Francisco, CA (US); **Douglas B. Satzger**, Menlo Park, CA (US); **Christopher J. Stringer**, Portola Valley, CA (US); **Eugene Antony Whang**, San Francisco, CA (US); **Rico Zorkendorfer**, San Francisco, CA (US)

(73) Assignee: **Apple Inc.**, Cupertino, CA (US)

(**) Term: **14 Years**

(21) Appl. No.: **29/284,343**

(22) Filed: **Sep. 5, 2007**

(51) **LOC (9) Cl.** **09-03**

(52) **U.S. Cl.** **D9/432**

(58) **Field of Classification Search** D9/430-433, D9/414, 418, 420-423, 529, 560; 206/278, 206/297, 299, 433, 457, 770, 737, 769, 776, 206/777, 778, 320; 229/100, 101, 103.3, 229/106, 107, 108, 108.1, 109, 110, 112, 229/116, 116.5, 117, 117.01, 117.03-117.08, 229/121, 122, 122.24, 122.29, 125.015, 126, 229/152, 181.1, 185.1, 186, 201, 917, 922, 229/923, 930-933, 935, 937, 939, 942; 220/796

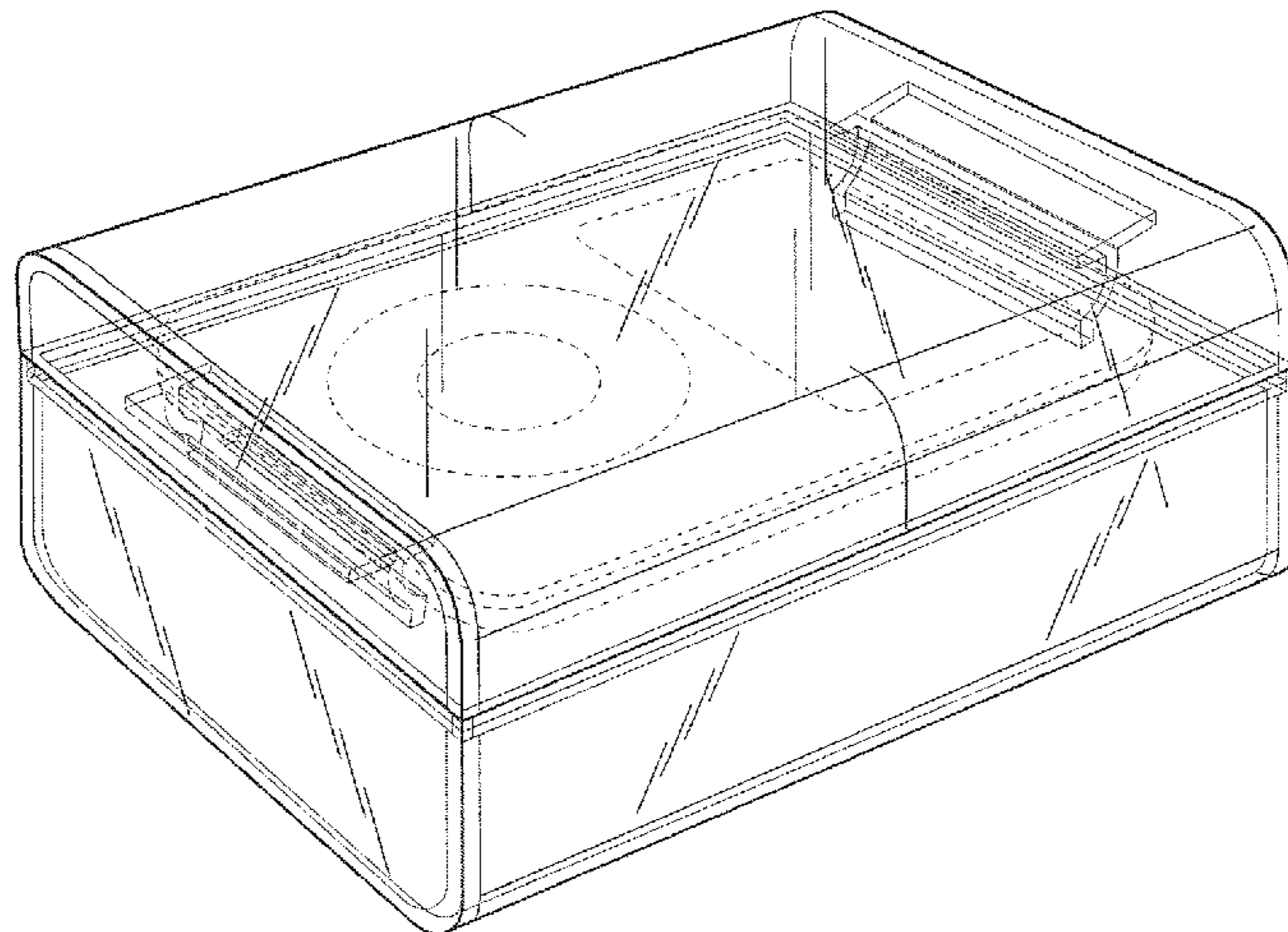
See application file for complete search history.

(56)

References Cited

U.S. PATENT DOCUMENTS

1,315,593	A	9/1919	Binder	
D106,245	S *	9/1937	Young	D9/418
D111,649	S	10/1938	Di Domenico	
D114,891	S	5/1939	Fogel	
2,316,384	A *	4/1943	Abramson	229/122.31
D159,157	S *	6/1950	Koester	D9/757
D162,551	S *	3/1951	Levine	D9/424
2,565,939	A *	8/1951	Wriston	220/4.23
2,606,708	A *	8/1952	Irvan	220/796
D167,689	S *	9/1952	Hommer	D9/415
D191,070	S *	8/1961	McCreary	D9/431
D246,439	S	11/1975	Lynn et al.	
D248,621	S	7/1978	Hay et al.	
D261,234	S *	10/1981	Abraham	D9/432
D292,839	S *	11/1987	Brogdon	D99/1
D309,431	S *	7/1990	Sheehan	D9/424
5,358,101	A *	10/1994	Lombardi	206/776
D368,429	S *	4/1996	Serio, Jr.	D9/431
D368,588	S *	4/1996	Goraleski et al.	D6/300
D369,295	S *	4/1996	Kobari et al.	D9/423
D389,639	S *	1/1998	Priebe	D3/203.8
D394,386	S *	5/1998	Fischer	D9/432
D396,154	S *	7/1998	Matthews	D6/470
D397,552	S	9/1998	Rutledge	
D406,463	S	3/1999	Rutledge	
D411,448	S	6/1999	Baker	
D417,391	S	12/1999	Szczepanski et al.	
D428,860	S *	8/2000	Siperek	D13/182
6,234,308	B1 *	5/2001	Saffron et al.	206/316.2
6,289,655	B1 *	9/2001	Ridgeway et al.	53/449
6,400,247	B1 *	6/2002	King	335/302
D496,585	S *	9/2004	McBride et al.	D9/423
D503,042	S *	3/2005	Gutierrez et al.	D3/302
6,889,839	B1 *	5/2005	Rosten et al.	206/583
D508,400	S *	8/2005	Scimone	D9/422
D523,743	S *	6/2006	Solowiejko et al.	D9/417
D531,025	S *	10/2006	Tanner	D9/426
7,150,356	B2 *	12/2006	Lofgren et al.	206/583
D535,102	S *	1/2007	Matsuda	D3/302
D541,045	S	4/2007	Peart et al.	
D554,495	S *	11/2007	Hanji	D9/418
D554,502	S *	11/2007	Hoffman et al.	D9/432
7,290,662	B2 *	11/2007	Lofgren et al.	206/583
D557,601	S *	12/2007	Minidis	D9/425



D557,602 S *	12/2007	Terrasi	D9/431
D558,571 S	1/2008	Andre et al.	
D558,572 S	1/2008	Andre et al.	
7,316,318 B1 *	1/2008	Rosten et al.	206/583
D580,752 S	11/2008	Andre et al.	
D582,267 S	12/2008	Andre et al.	
D584,142 S	1/2009	Andre et al.	
D585,733 S *	2/2009	Feibelman	D9/423
2006/0032765 A1 *	2/2006	Morhard et al.	206/278

FOREIGN PATENT DOCUMENTS

EM	546403-0001	8/2006
JP	61-40925	3/1986
KR	30-0267299	12/2000
TW	0488766	7/1990
TW	D105819	8/2005

OTHER PUBLICATIONS

U.S. Appl. No. 11/849,176 entitled "Packaging", filed Aug. 31, 2007.
 Taiwan Search Report of Design Patent Application No. 096300280,
 dated Oct. 23, 2008, one page.
 Trade Yellow Pages Consumer Goods, 1994, p. 257.

* cited by examiner

Primary Examiner—Robert M Spear
Assistant Examiner—Karen Acker
 (74) *Attorney, Agent, or Firm*—Sterne, Kessler, Goldstein &
 Fox PLLC

(57) **CLAIM**

The ornamental design for packaging, as shown and described.

DESCRIPTION

FIG. 1 is a front perspective view of packaging showing our new design;

FIG. 2 is a front view thereof;
 FIG. 3 is a side view thereof, the opposite side view being a mirror image thereof;
 FIG. 4 is a bottom view thereof, the opposite side view being a mirror image thereof;
 FIG. 5 is an exploded view thereof;
 FIG. 6 is a front view of a base portion of the packaging of FIGS. 1-5;
 FIG. 7 is rear view thereof;
 FIG. 8 is a side view thereof, the opposite side view being a mirror image thereof;
 FIG. 9 is a bottom view thereof, the opposite side view being a mirror image thereof;
 FIG. 10 is a front view of another interior portion of the packaging of the design of FIGS. 1-5;
 FIG. 11 is a bottom view thereof;
 FIG. 12 is a side view thereof, the opposite side view being a mirror image thereof;
 FIG. 13 is a bottom view thereof, the opposite side view being a mirror image thereof;
 FIG. 14 is a perspective view of the lid and base of the packaging of FIGS. 1-5 in a closed condition with the interior portions removed for clarity of disclosure;
 FIG. 15 is a front view thereof;
 FIG. 16 is a side view thereof, the opposite side view being a mirror image thereof; and,
 FIG. 17 is a bottom view thereof, the opposite side view being a mirror image thereof.
 The broken lines in the Figures show environment which forms no part of the claimed design.

1 Claim, 11 Drawing Sheets

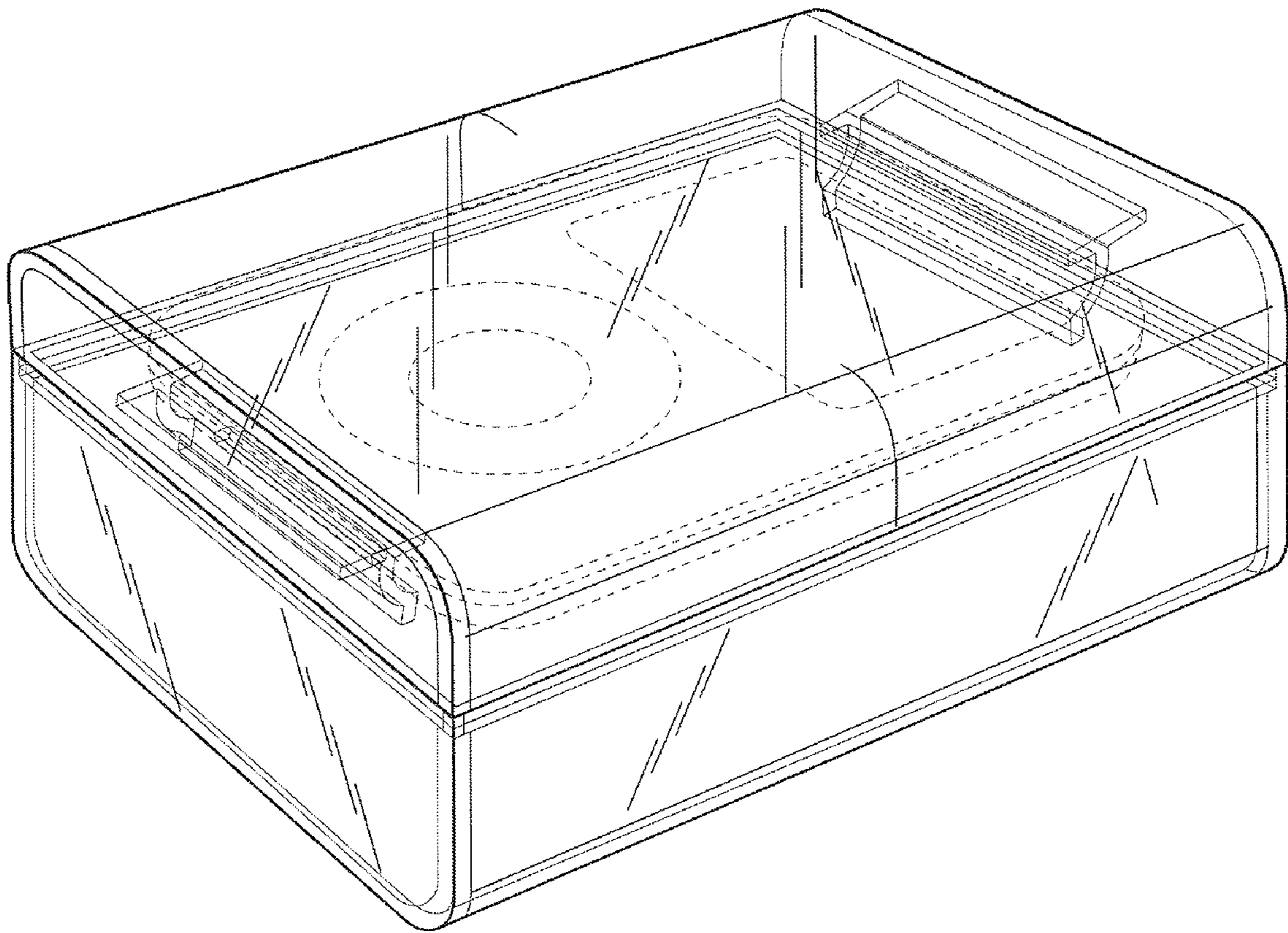


FIG. 1

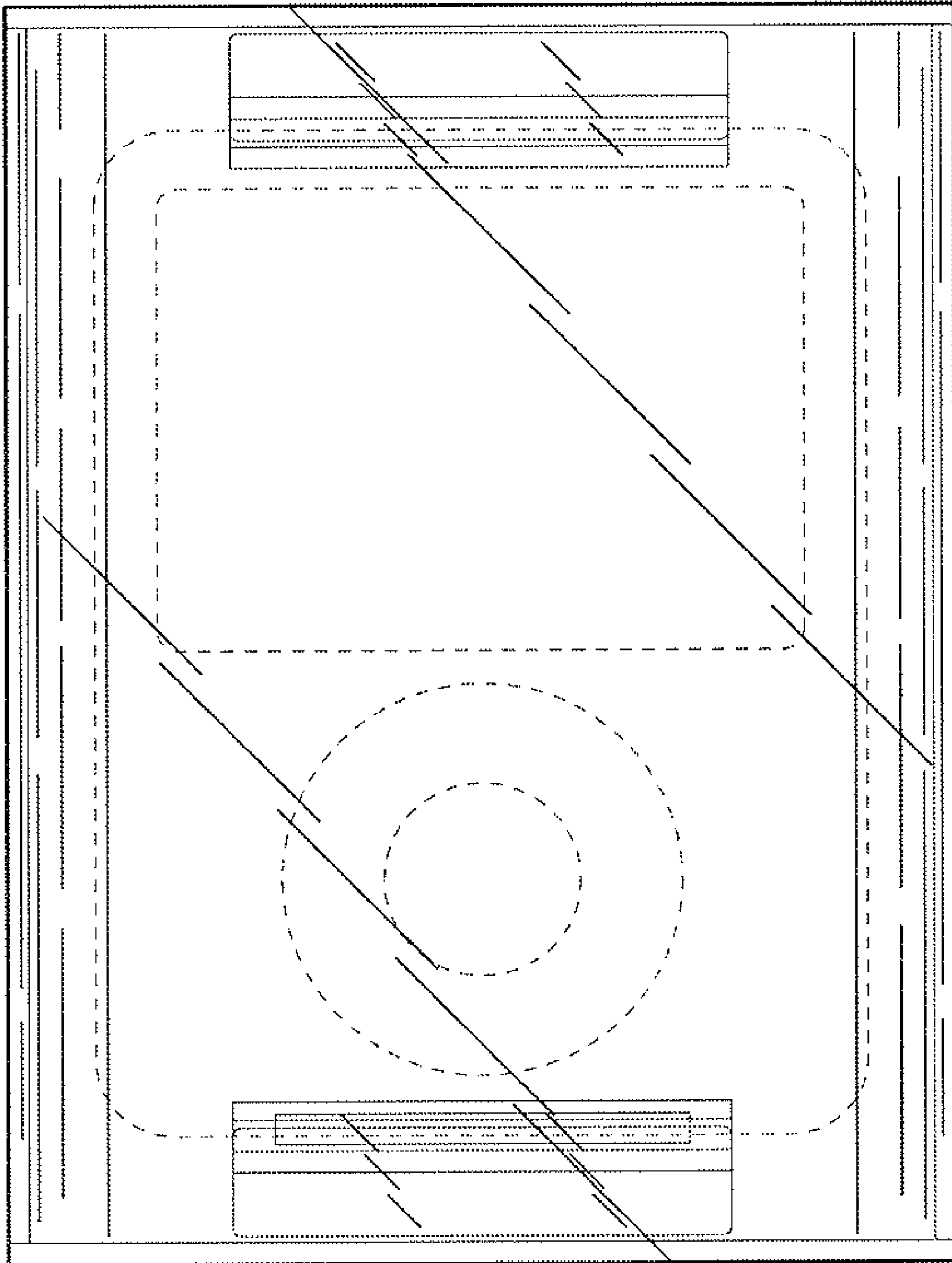


FIG. 2

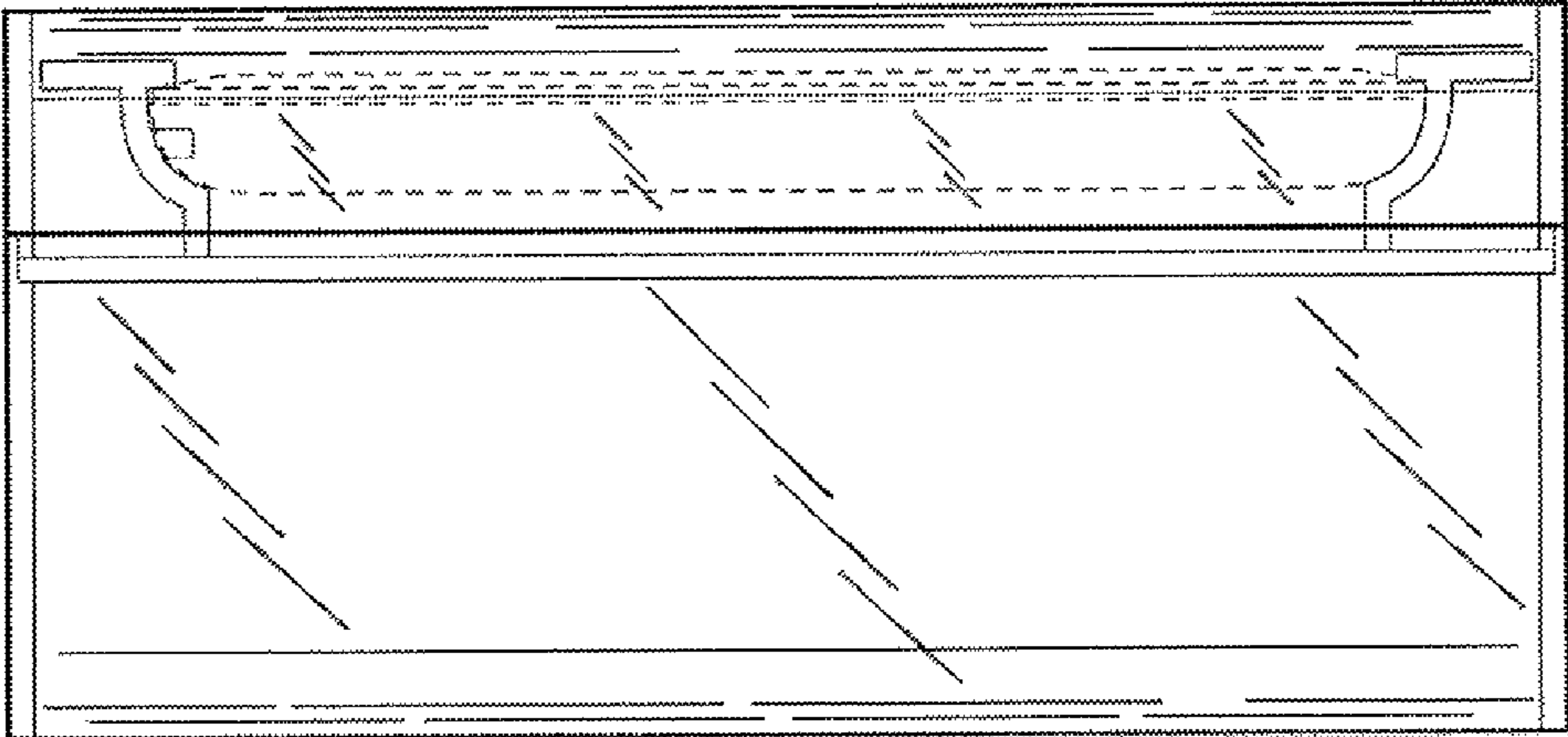


FIG. 3

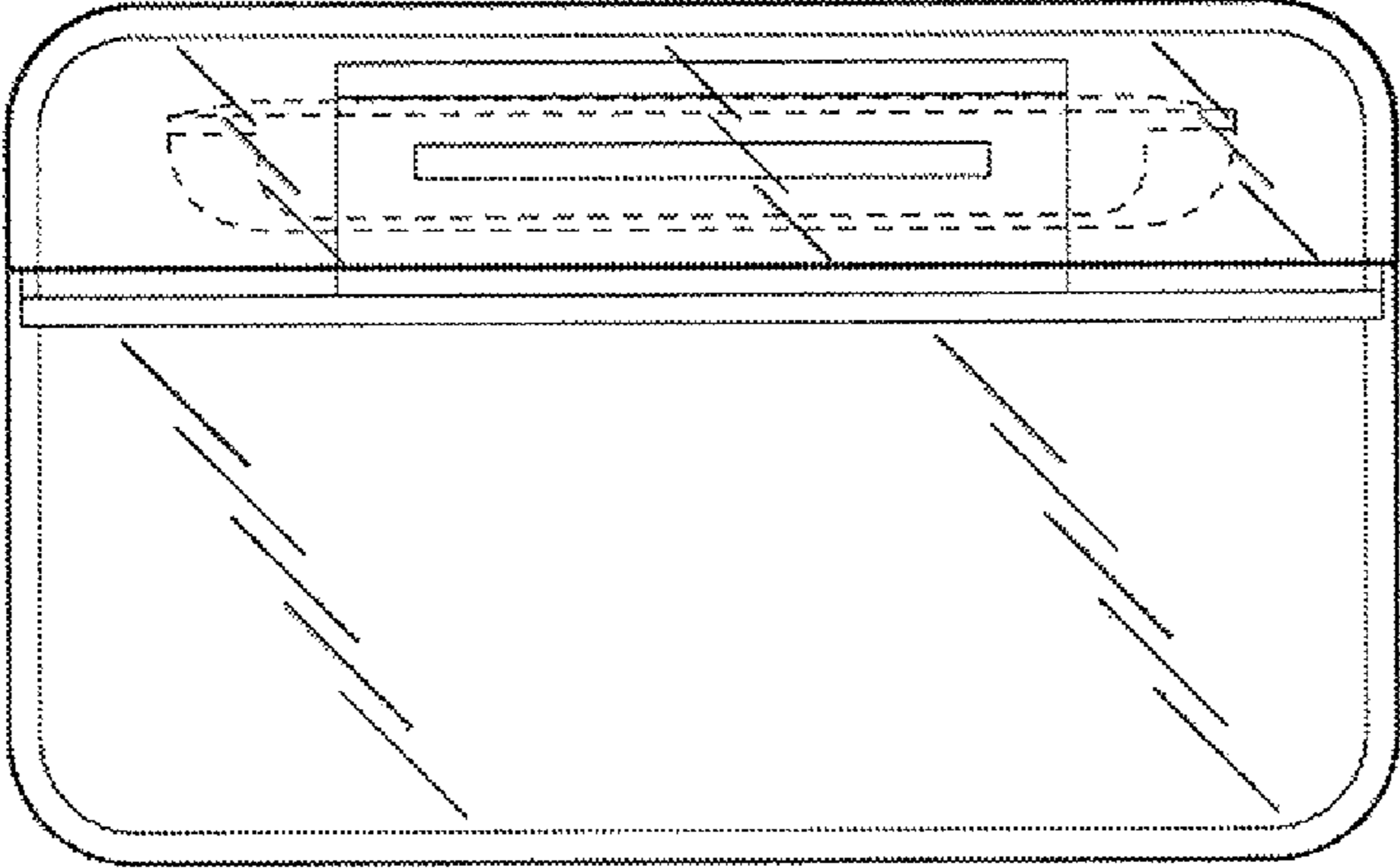


FIG. 4

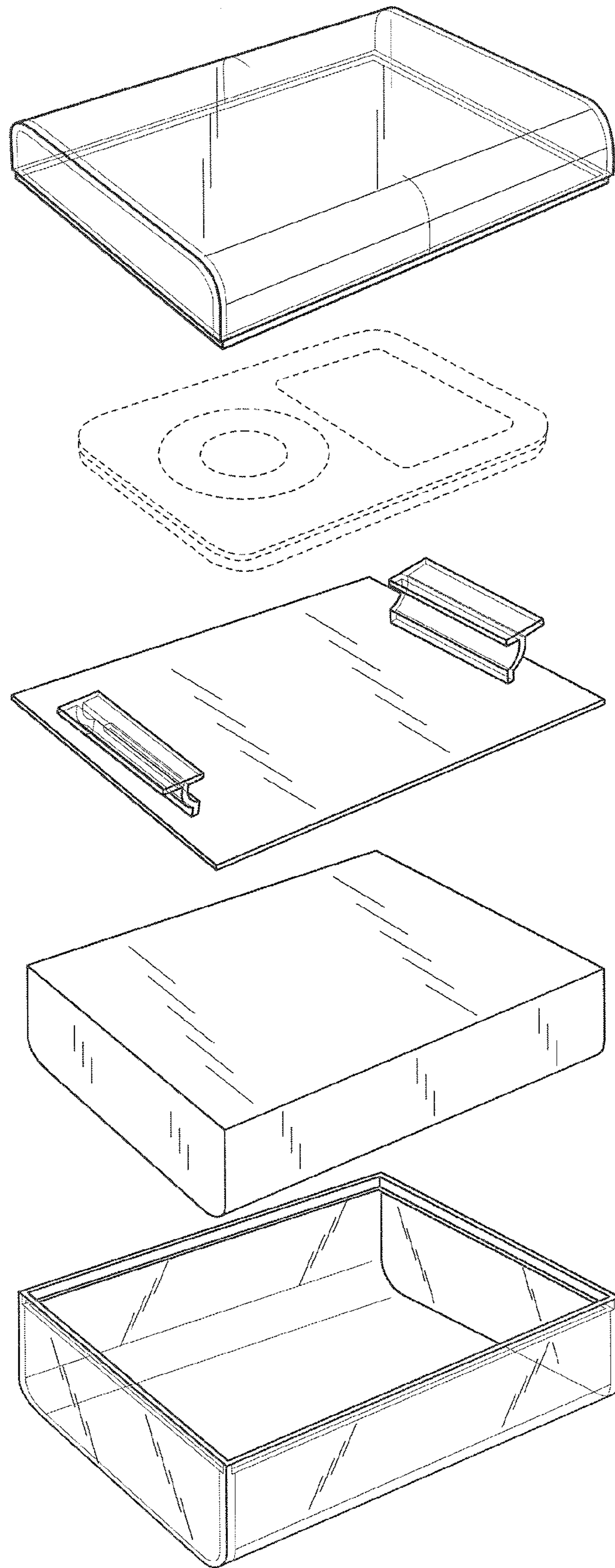


FIG. 5

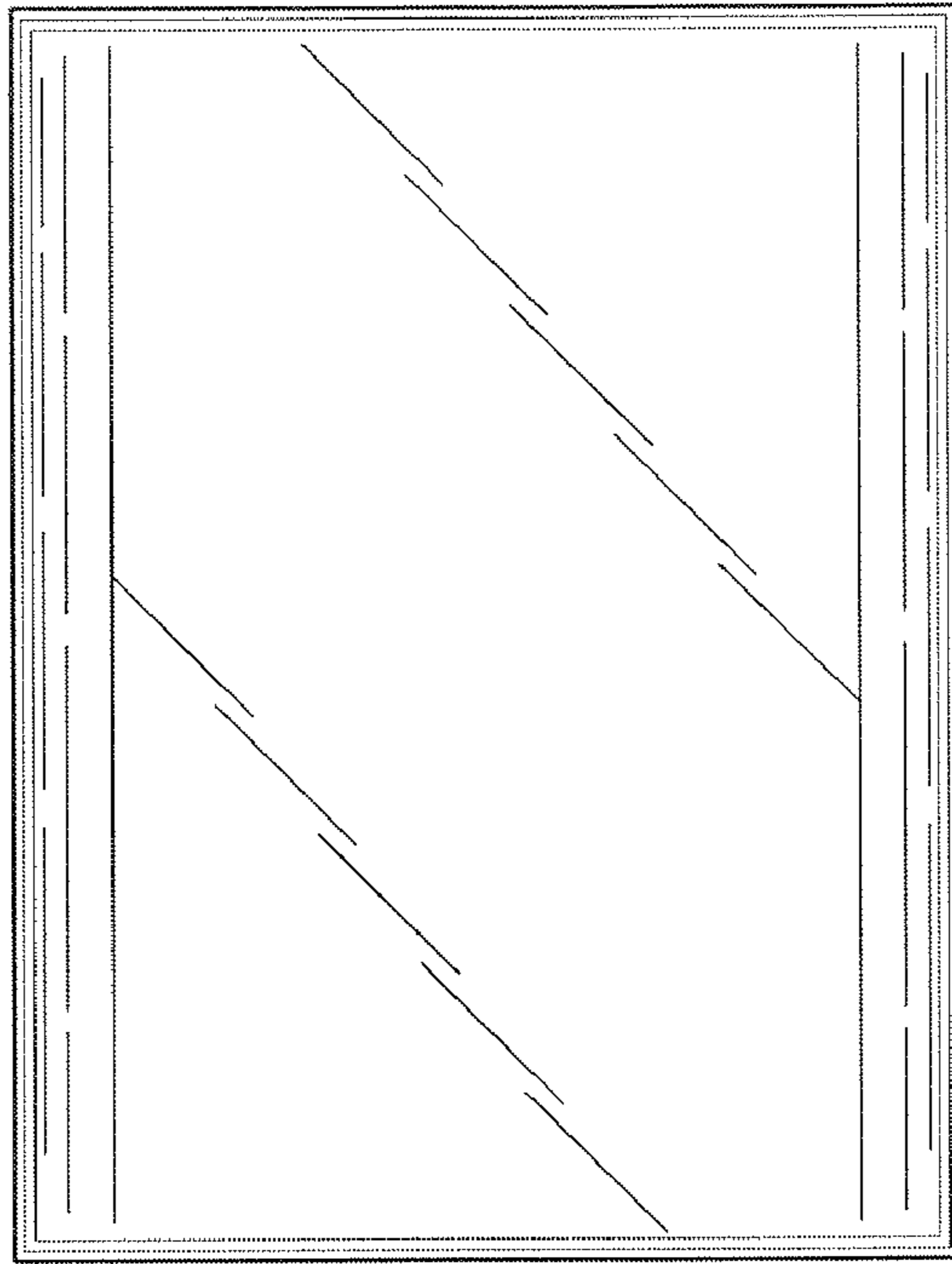


FIG. 6

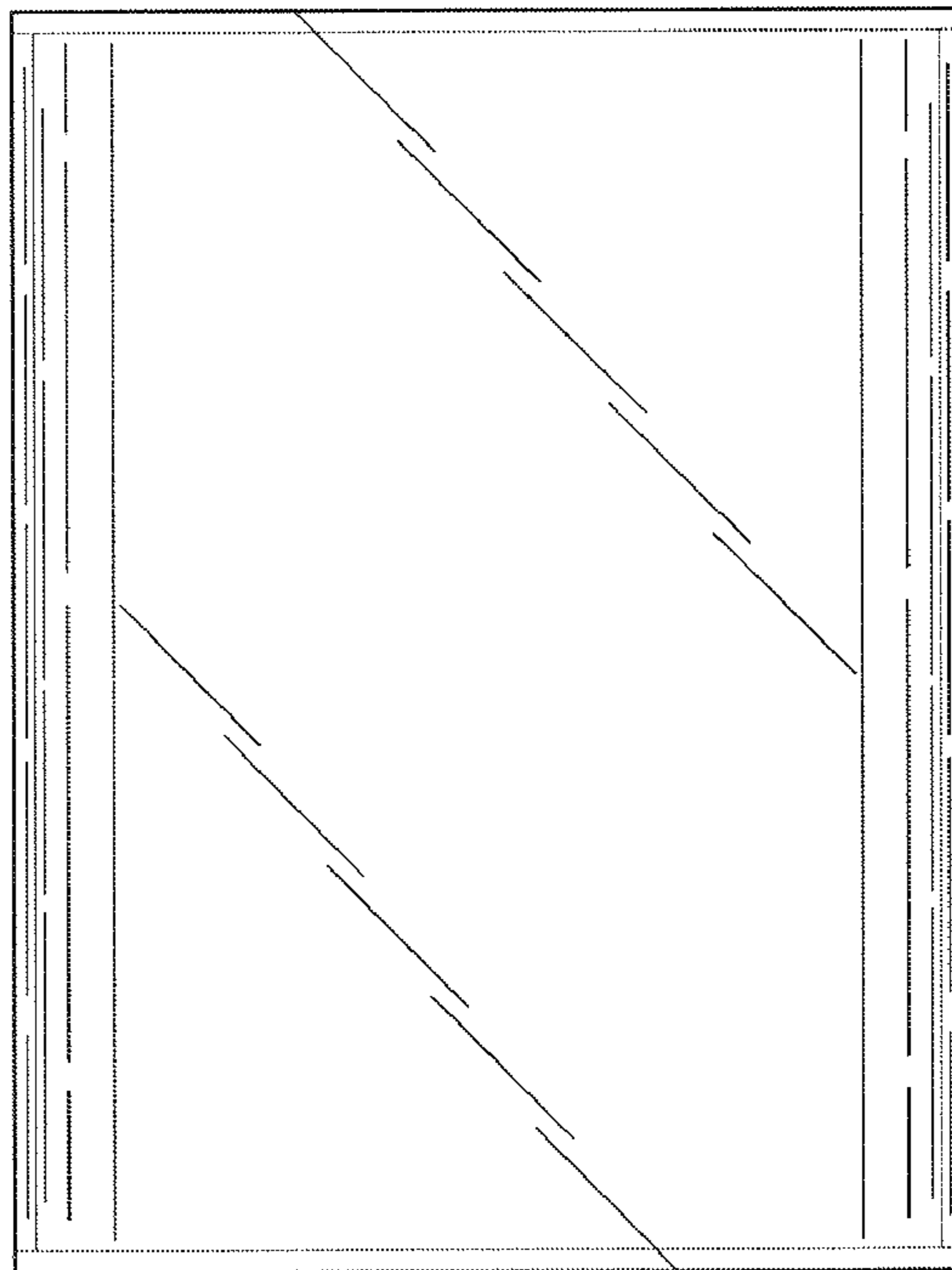


FIG. 7

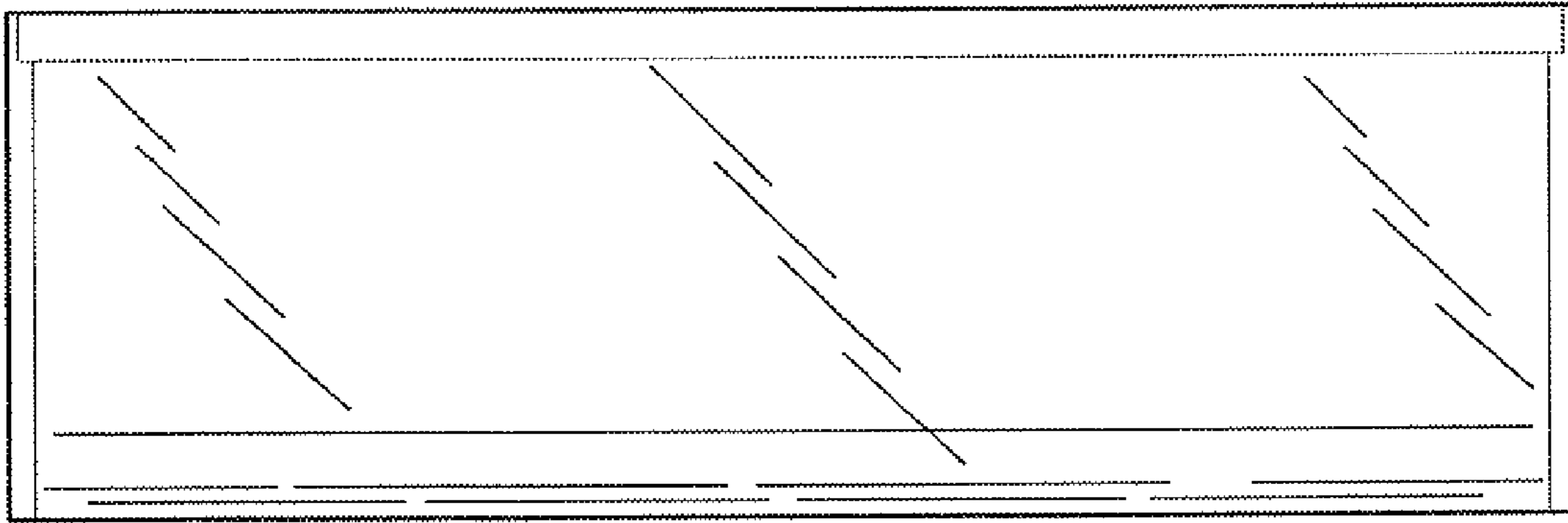


FIG. 8

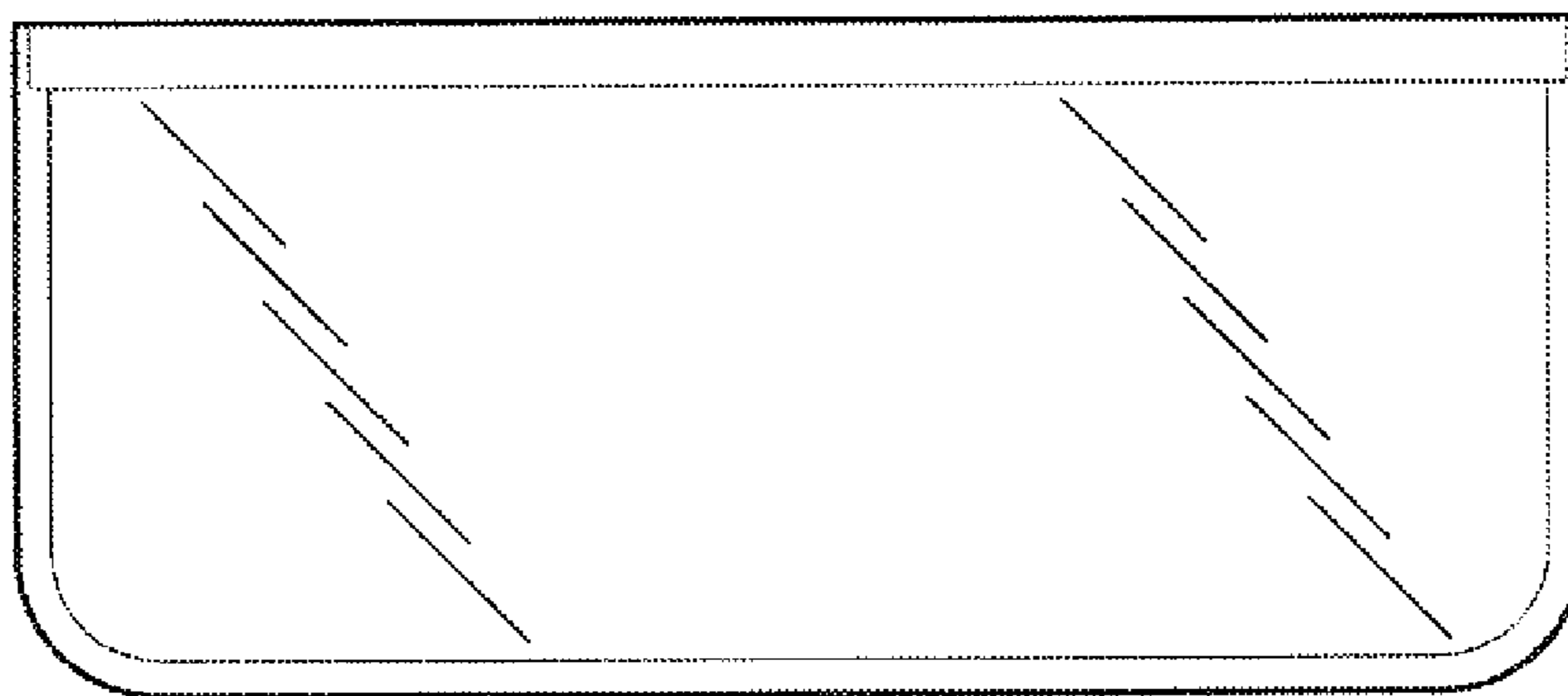


FIG. 9

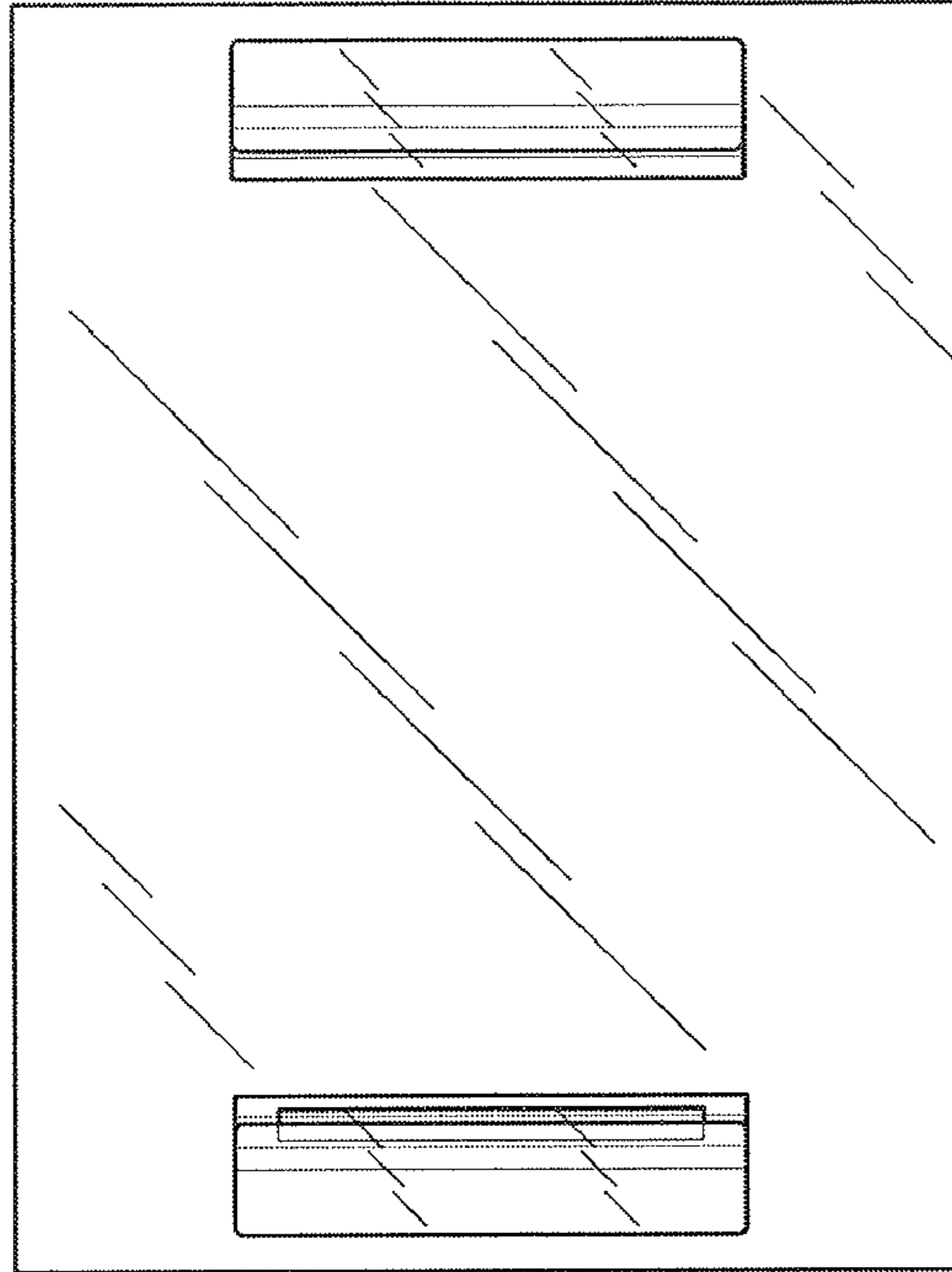


FIG. 10

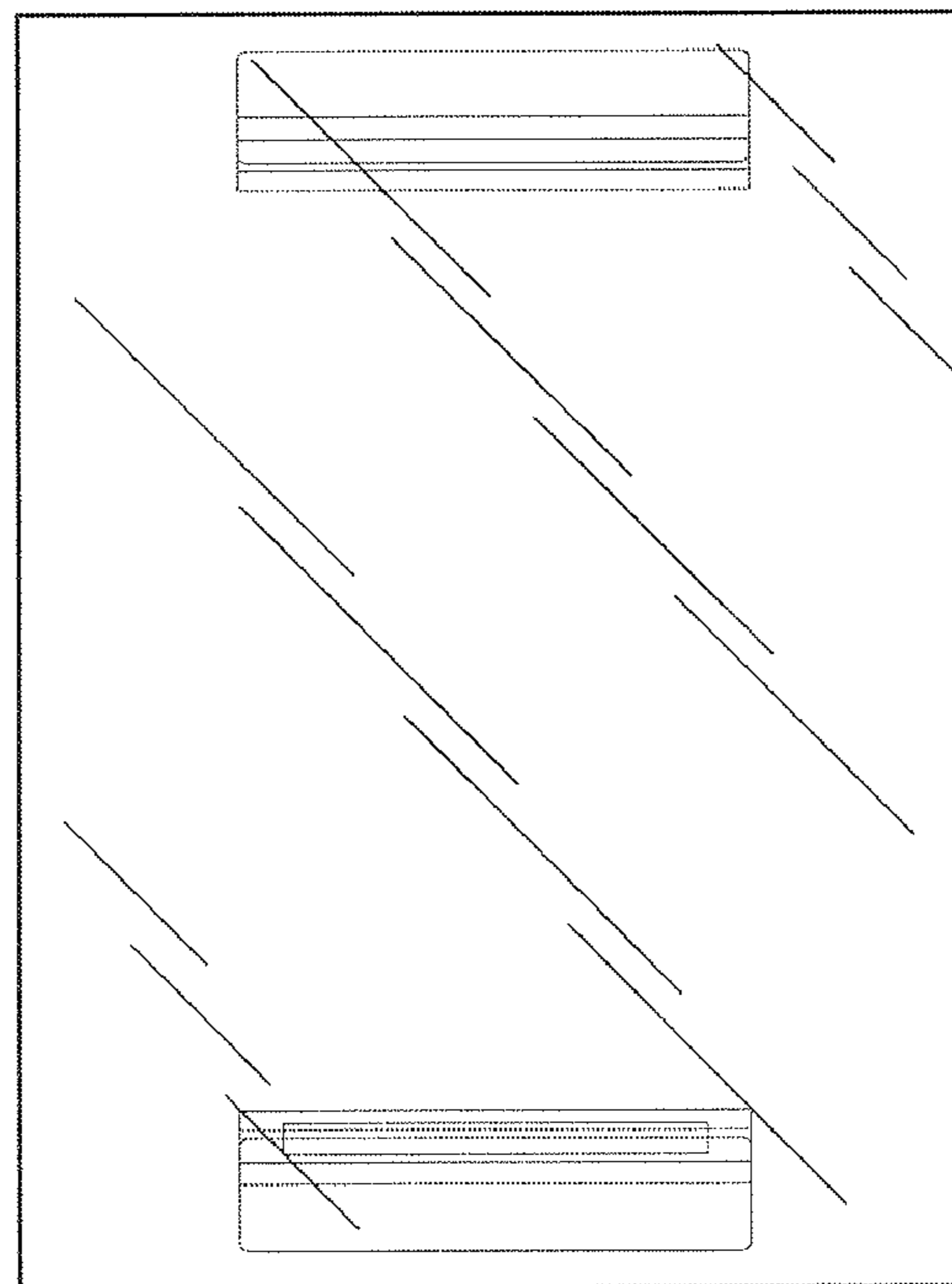


FIG. 11



FIG. 12

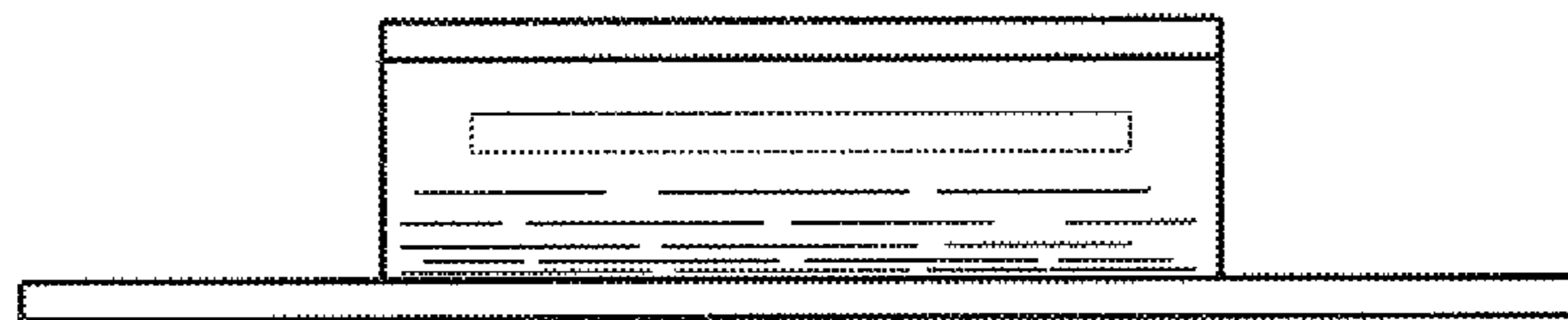


FIG. 13

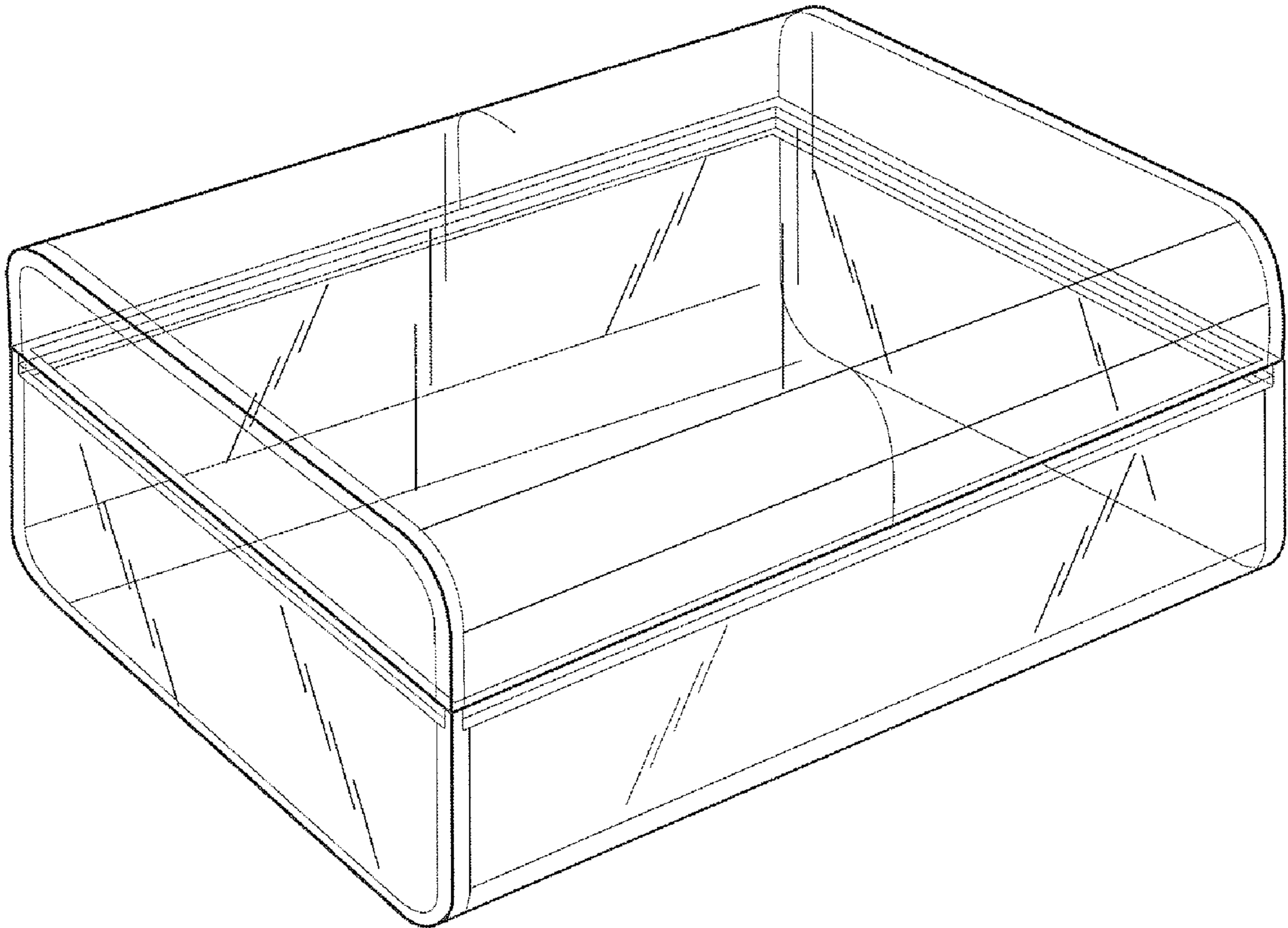


FIG. 14

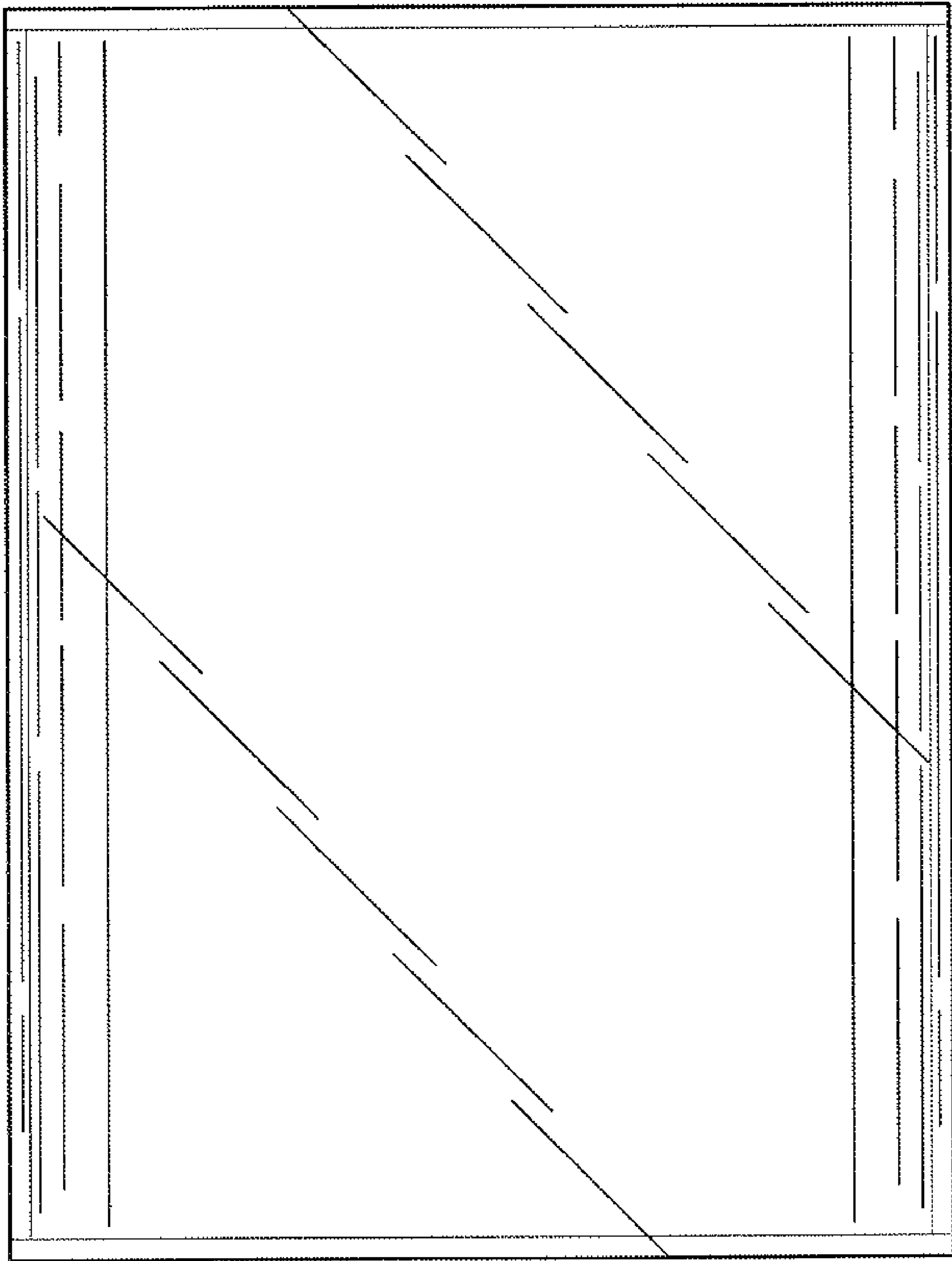


FIG. 15

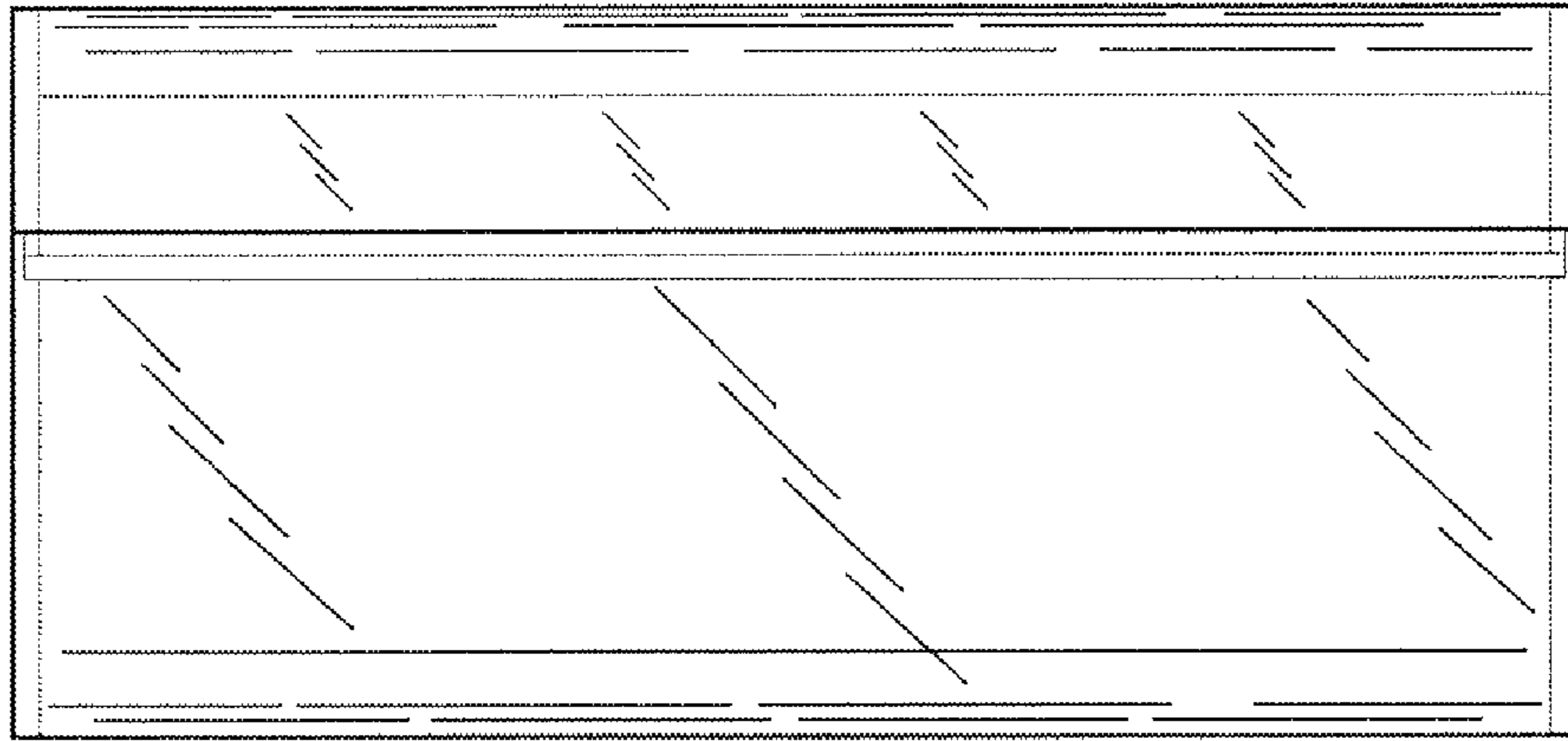


FIG. 16

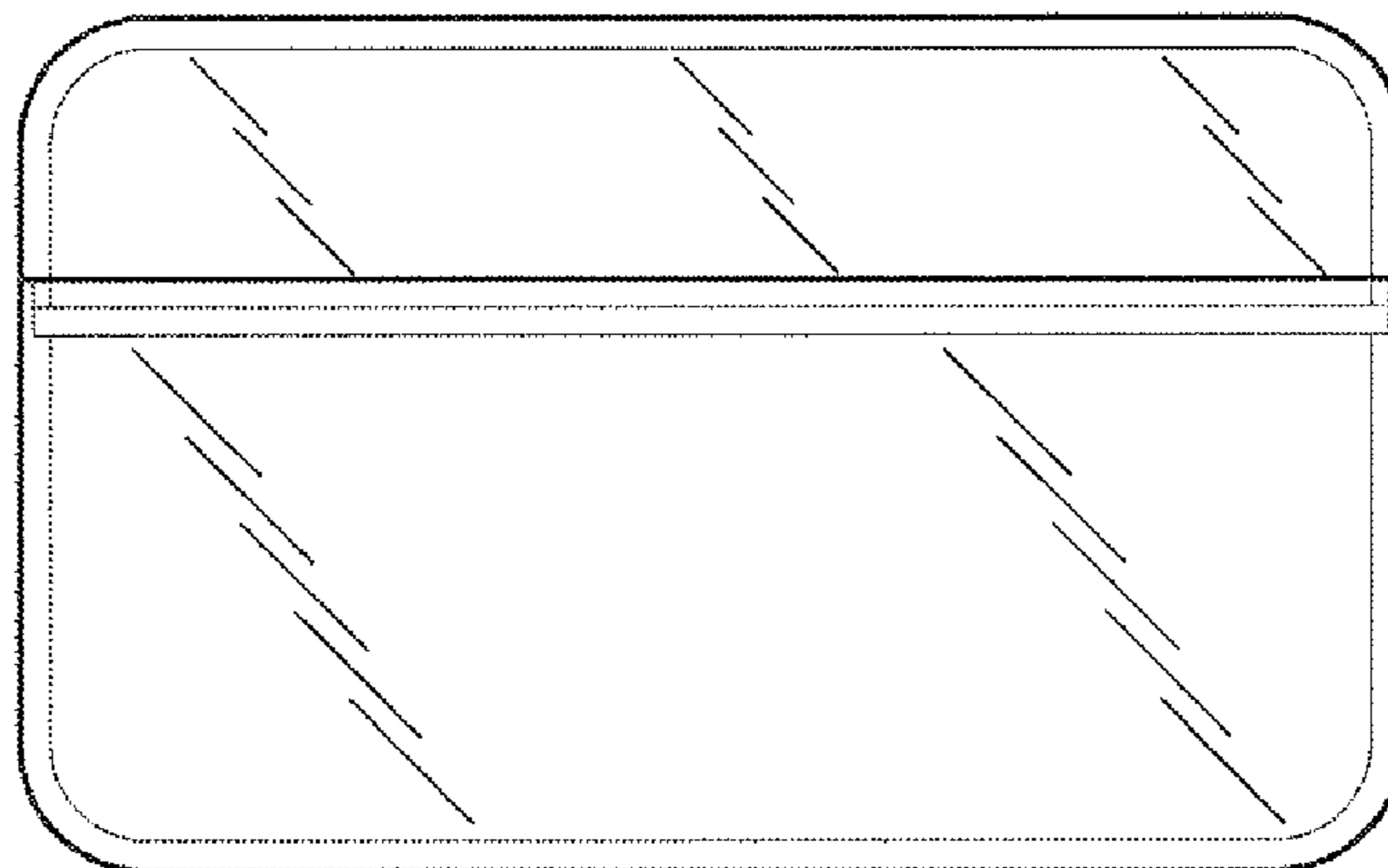


FIG. 17