



US00D621255S

(12) **United States Design Patent**  
**Siverhus et al.**

(10) **Patent No.:** **US D621,255 S**

(45) **Date of Patent:** **\*\* Aug. 10, 2010**

(54) **HANDLE FOR A LIFT AND SLIDE FENESTRATION**  
  
(75) Inventors: **Jeff Siverhus**, Warroad, MN (US);  
**Johannes N. Gaston**, Minnetonka, MN (US); **Kyle Koch**, Warroad, MN (US);  
**Eric Stoutenborough**, Fort Atkinson, WI (US); **Steven A. Beaudry**,  
Minneapolis, MN (US)

(73) Assignee: **Marvin Lumber and Cedar Company**,  
Warroad, MN (US)

(\*\*) Term: **14 Years**

(21) Appl. No.: **29/339,542**

(22) Filed: **Jul. 1, 2009**

(51) **LOC (9) Cl.** ..... **08-09**

(52) **U.S. Cl.** ..... **D8/400**

(58) **Field of Classification Search** ..... D8/330,  
D8/331, 336, 337, 338, 341, 380, 373, 349,  
D8/300, 301, 400-499; 70/89, 137, 141,  
70/192, 260, 430, DIG. 20; 292/101, 96,  
292/10, 336.3, 196, 241, 137, 344, DIG. 30,  
292/DIG. 33; D6/553; 248/298.1, 243, 200,  
248/208; 49/73, 85, 87, 215, 218, 291, 295,  
49/296, 303-304, 375; 52/204; D25/52,  
D25/60

See application file for complete search history.

(56) **References Cited**

**U.S. PATENT DOCUMENTS**

D105,350 S *	7/1937	Smull	.....	D8/402
D316,509 S *	4/1991	Nolte	.....	D8/337
D334,132 S *	3/1993	Wobschall et al.	.....	D8/337
D382,191 S *	8/1997	Plummer	.....	D8/337
D388,689 S *	1/1998	Bauman et al.	.....	D8/337
D408,263 S *	4/1999	Briggs	.....	D8/337
D440,143 S *	4/2001	Minter et al.	.....	D8/338

6,425,611 B1 *	7/2002	Minter et al.	.....	292/336.3
6,450,554 B1 *	9/2002	Rotondi et al.	.....	292/158
7,159,908 B2 *	1/2007	Liang	.....	292/242
D546,166 S *	7/2007	Liang	.....	D8/344
D560,112 S *	1/2008	Baczuk et al.	.....	D8/337
7,441,811 B2 *	10/2008	Lawrence	.....	292/110
2007/0046031 A1 *	3/2007	Goldenberg et al.	.....	292/5
2007/0096476 A1 *	5/2007	Vetter	.....	292/137
2007/0205615 A1 *	9/2007	Eenigenburg et al.	.....	292/241

\* cited by examiner

*Primary Examiner*—Cathron C Brooks

*Assistant Examiner*—Barbara Fox

(74) *Attorney, Agent, or Firm*—Schwegman, Lundberg & Woessner, P.A.

(57) **CLAIM**

The ornamental design for a handle for a lift and slide fenestration, as shown and described.

**DESCRIPTION**

FIG. 1 is a front perspective view of a handle for a lift and slide fenestration in accordance with our new design.

FIG. 2 is a front elevational view thereof.

FIG. 3 is a top plan view thereof.

FIG. 4 is a front perspective view of the handle for a lift and slide fenestration of FIG. 1, shown in an alternate position.

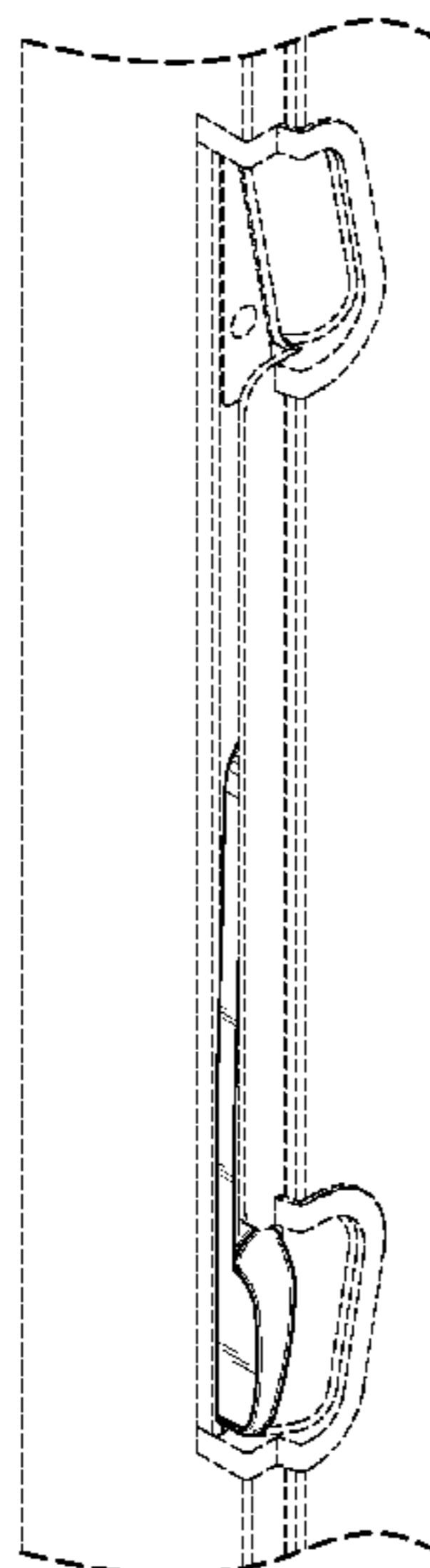
FIG. 5 is a top plan view thereof.

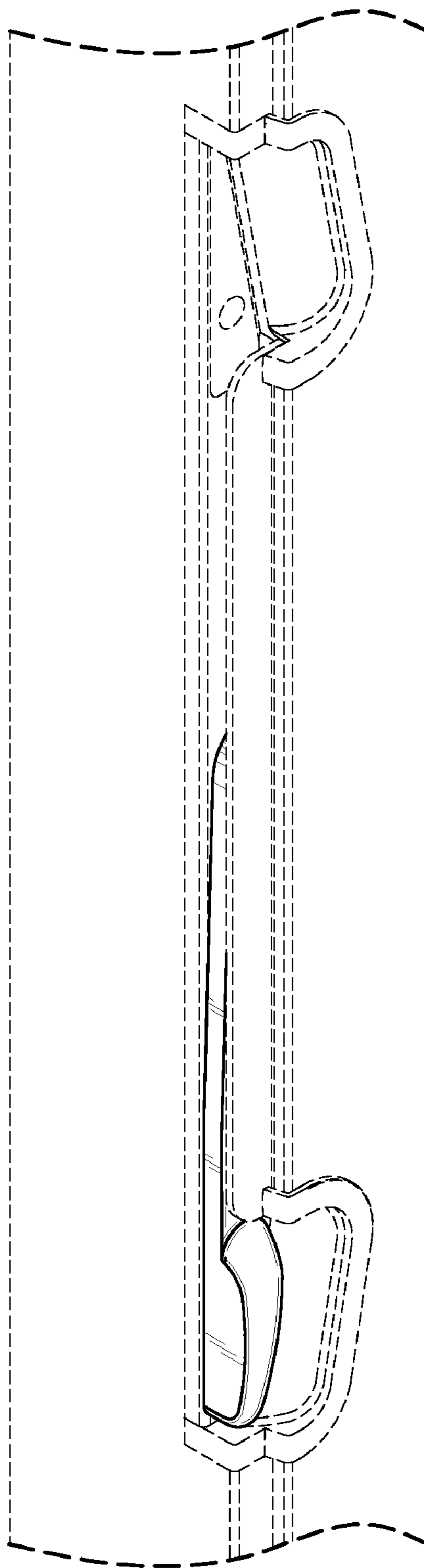
FIG. 6 is a front perspective view of the handle for a lift and slide fenestration of FIG. 1, shown in a further alternate position; and,

FIG. 7 is a top plan view thereof.

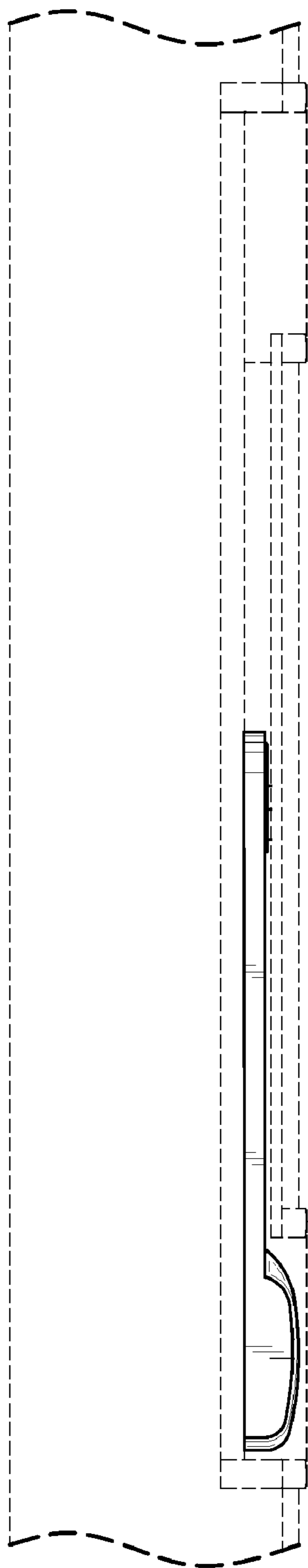
The broken lines shown in the Figures are for the purpose of illustrating unclaimed portions of the article and form no part thereof. The heavy wavy broken lines that appear at the ends of the lift and slide fenestration represent the bounds of the disclosure and form no part of the claimed design.

**1 Claim, 7 Drawing Sheets**

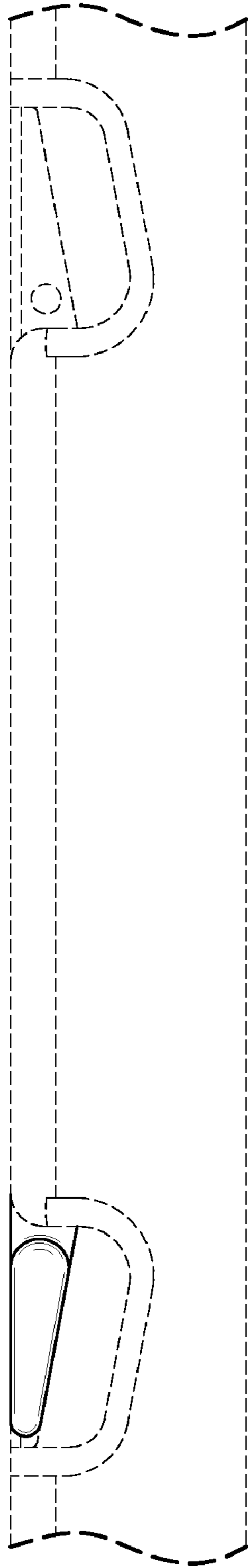




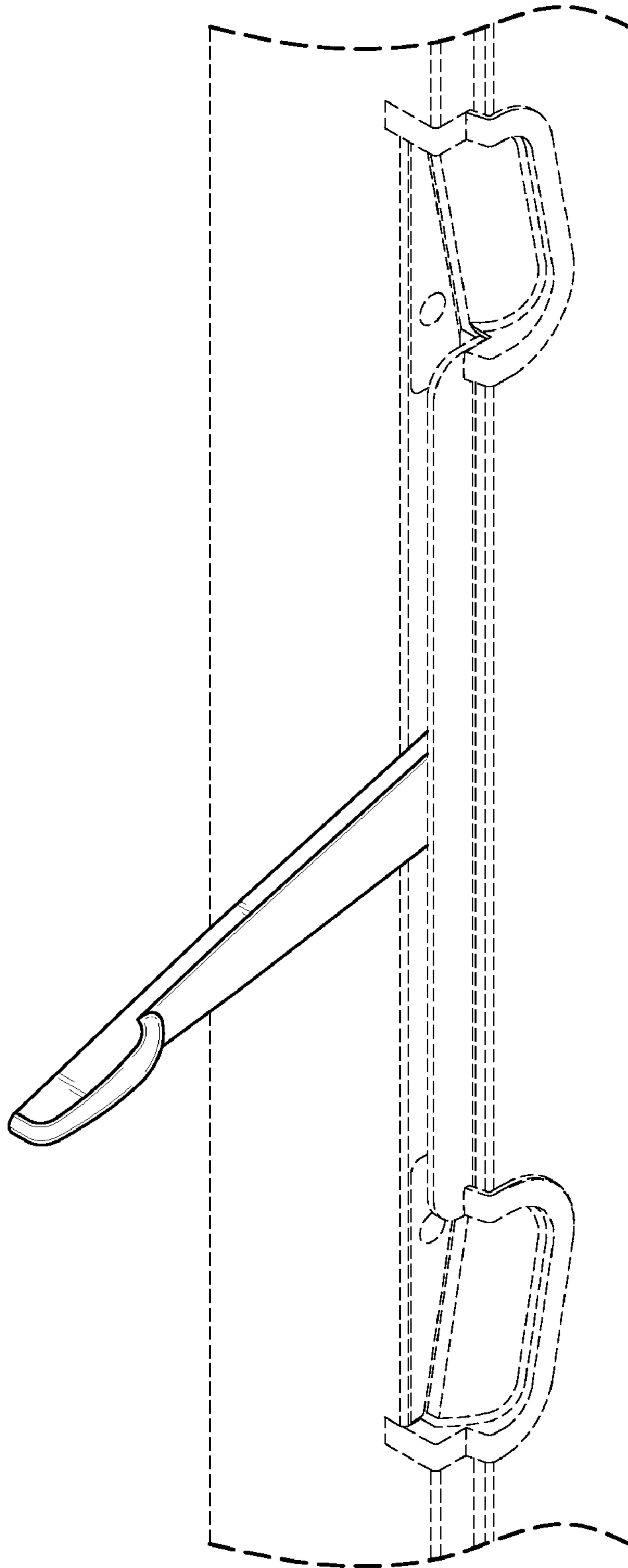
**FIG. 1**



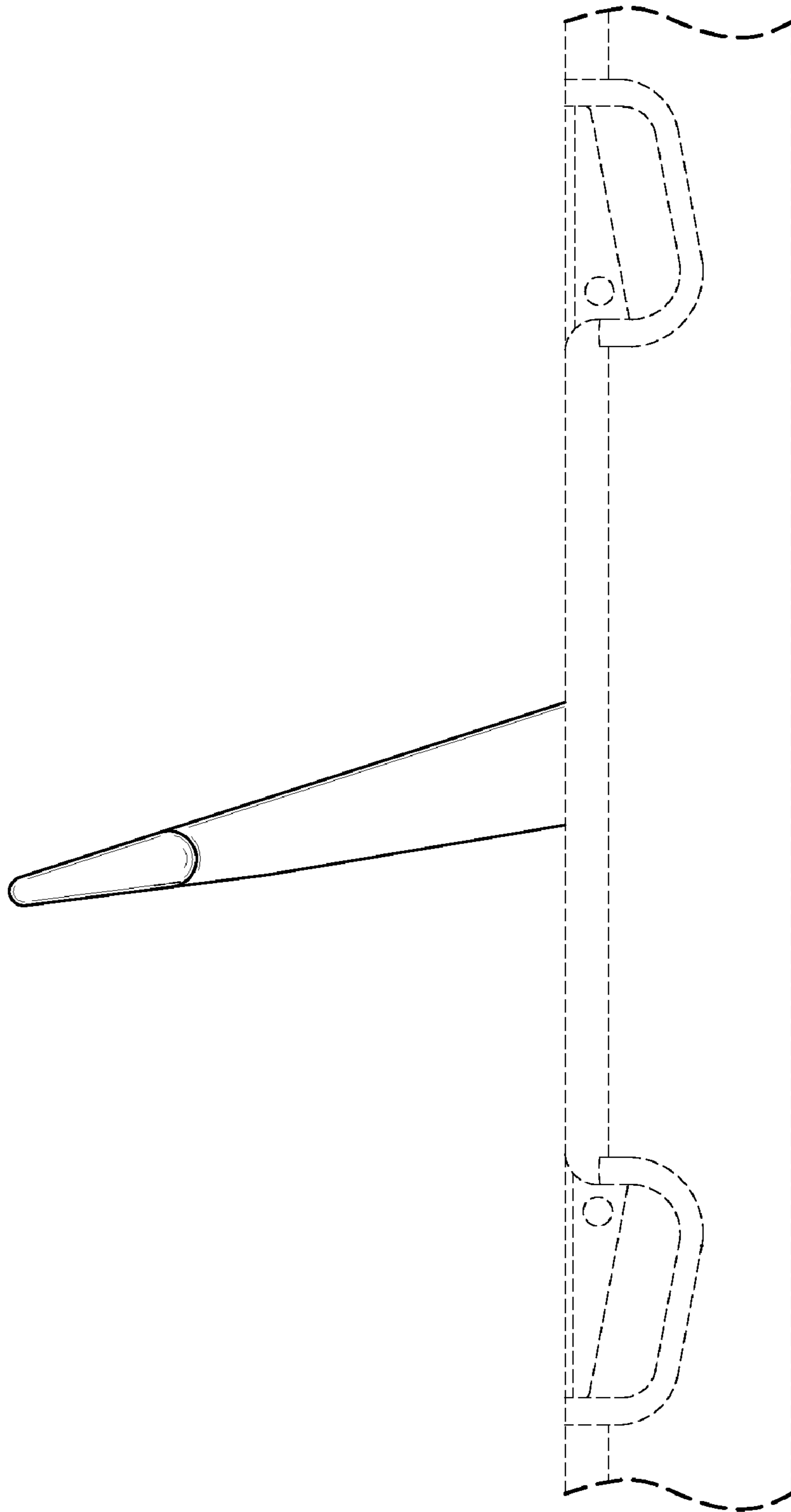
*FIG. 2*



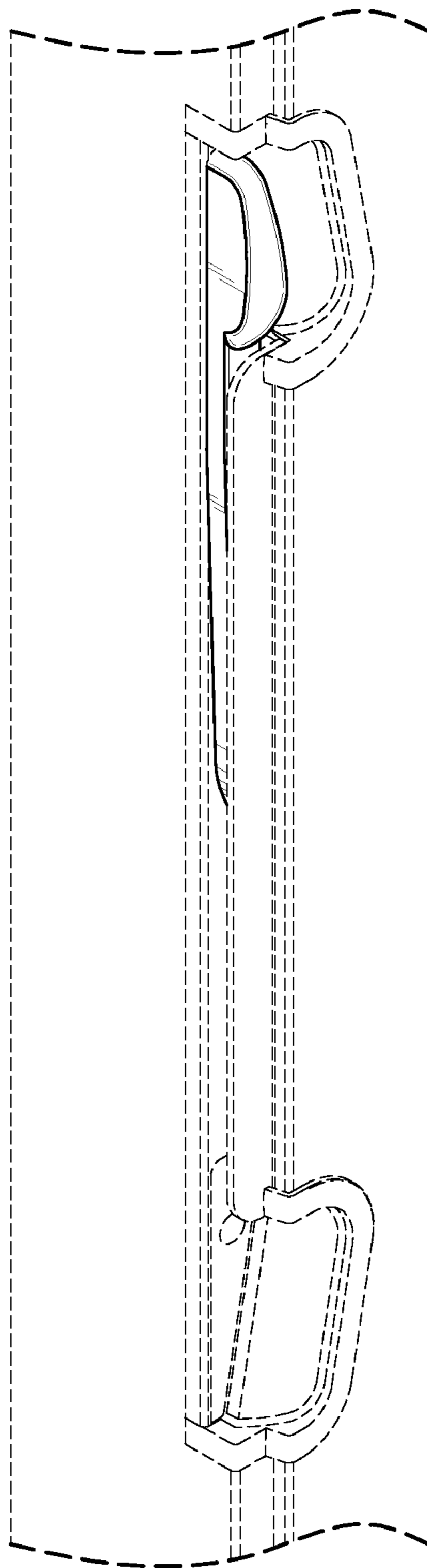
*FIG. 3*



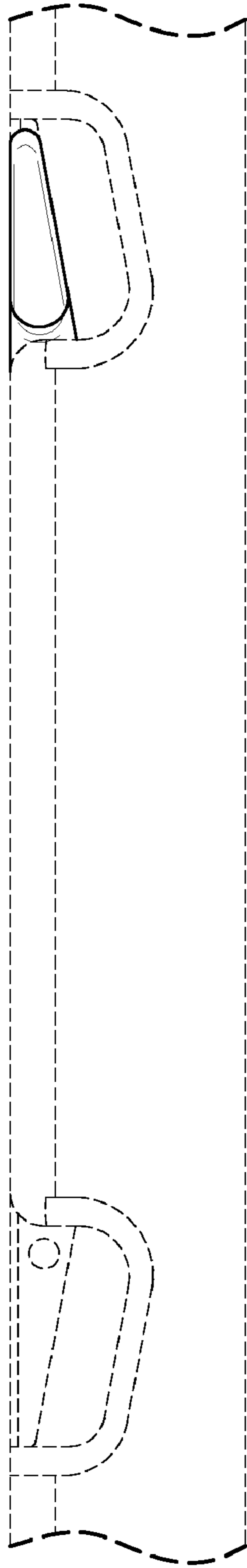
**FIG. 4**



*FIG. 5*



*FIG. 6*



*FIG. 7*