



US00D621254S

(12) **United States Design Patent**  
**Camisasca**

(10) **Patent No.:** **US D621,254 S**

(45) **Date of Patent:** **\*\* Aug. 10, 2010**

(54) **ANTI-THEFT THREADED CAP**

(75) Inventor: **Henry P Camisasca**, Irvine, CA (US)

(73) Assignee: **Camisasca Automotive Manufacturing, Inc.**, Lake Forest, CA (US)

(\*\*) Term: **14 Years**

(21) Appl. No.: **29/352,061**

(22) Filed: **Dec. 15, 2009**

**Related U.S. Application Data**

(63) Continuation of application No. 29/332,182, filed on Feb. 10, 2009, now Pat. No. Des. 608,626.

(51) **LOC (9) Cl.** ..... **08-08**

(52) **U.S. Cl.** ..... **D8/382**

(58) **Field of Classification Search** ..... D8/387, D8/382, 499; D11/226; 411/429, 373, 404, 411/431, 432

See application file for complete search history.

(56) **References Cited**

**U.S. PATENT DOCUMENTS**

1,152,960	A	9/1915	Moloney	
1,673,486	A *	6/1928	Berge	470/3
2,345,949	A	2/1942	Robbins	
4,214,505	A *	7/1980	Aimar	411/373
4,302,137	A	11/1981	Hart	
4,400,123	A	8/1983	Dunegan	
4,413,374	A	11/1983	Ferdinand et al.	
4,521,146	A	6/1985	Wharton	
4,582,462	A *	4/1986	Thiel	411/372.5
D284,265	S	6/1986	Resan	
4,601,624	A *	7/1986	Hill	411/373
4,611,379	A *	9/1986	Heitzman	29/426.5

(Continued)

*Primary Examiner*—Holly H Baynham

*Assistant Examiner*—Sheryl Lane

(74) *Attorney, Agent, or Firm*—Knobbe, Martens, Olson & Bear LLP

(57) **CLAIM**

The ornamental design for an anti-theft threaded cap, as shown and described.

**DESCRIPTION**

FIG. 1 is a front and top side perspective view of an anti-theft threaded cap embodying our new design;

FIG. 2 is a top plan view thereof;

FIG. 3 is a front elevational view thereof;

FIG. 4 is a bottom plan view thereof;

FIG. 5 is a front and top side perspective view of the anti-theft threaded cap of FIG. 1, showing only a lid portion;

FIG. 6 is a top plan view of the lid portion;

FIG. 7 is a front elevational view of the lid portion;

FIG. 8 is a bottom plan view of the lid portion;

FIG. 9 is a front and top side perspective view of the anti-theft threaded cap of FIG. 1, showing only a base portion;

FIG. 10 is a top plan view of the base portion;

FIG. 11 is a front elevational view of the base portion;

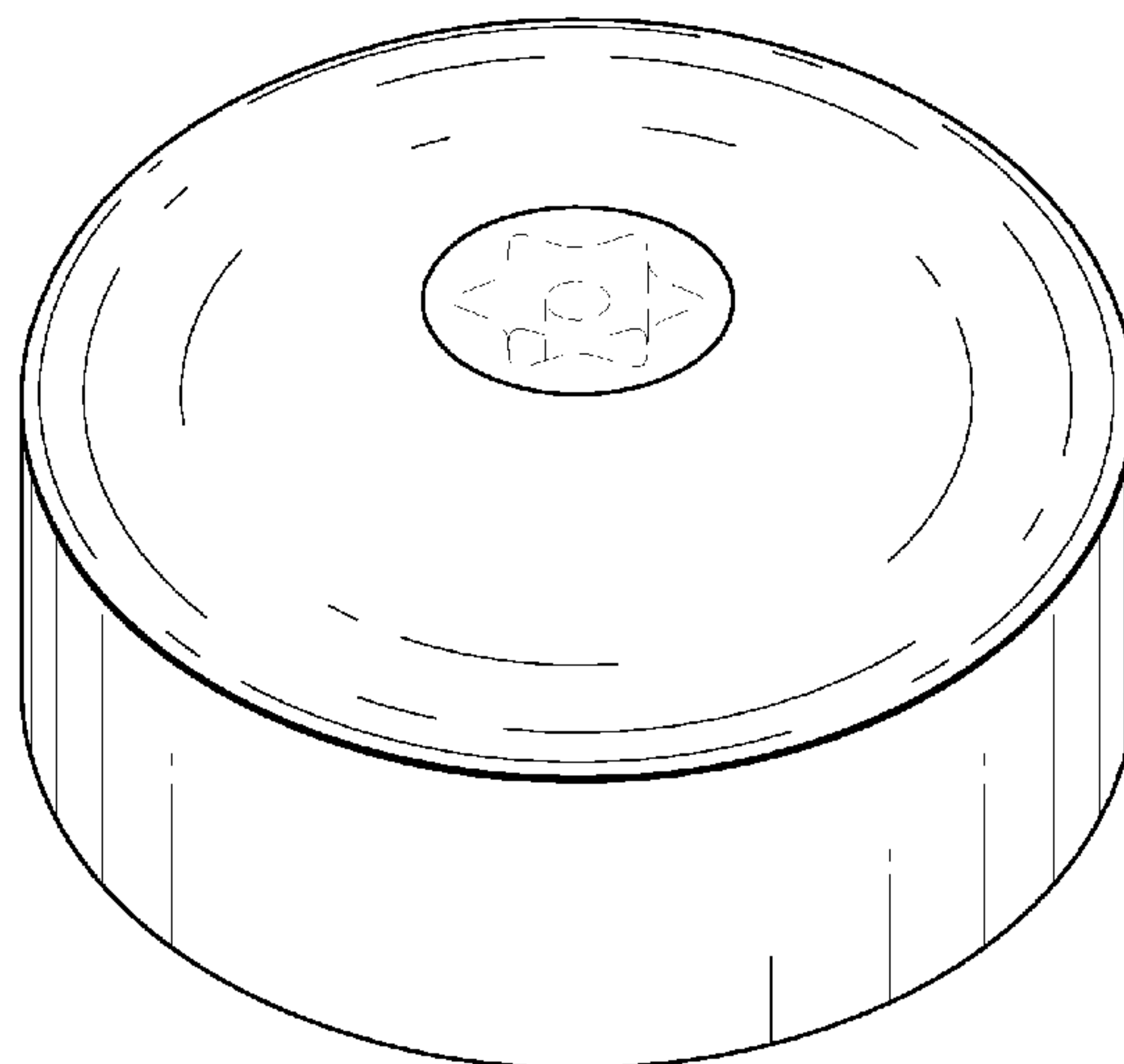
FIG. 12 is a bottom plan view of the base portion;

FIG. 13 is a cross-sectional view of the anti-theft threaded cap taken along line 13—13 in FIG. 2; and,

FIG. 14 is a perspective view of the anti-theft threaded cap as used, for example, on license plate hardware.

All features illustrated in phantom line are expressly disclaimed and form no part of the claimed design.

**1 Claim, 8 Drawing Sheets**



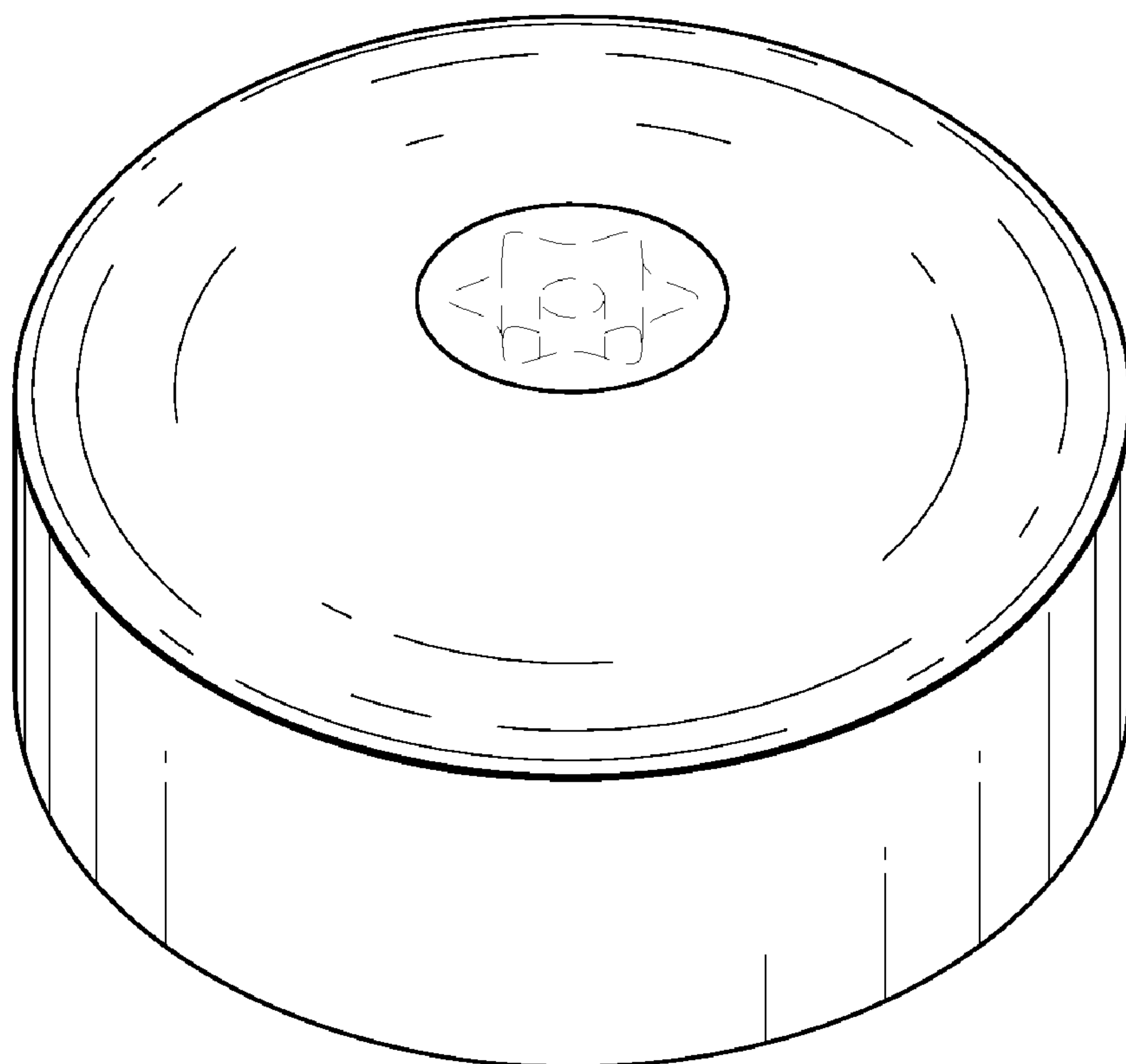
# US D621,254 S

Page 2

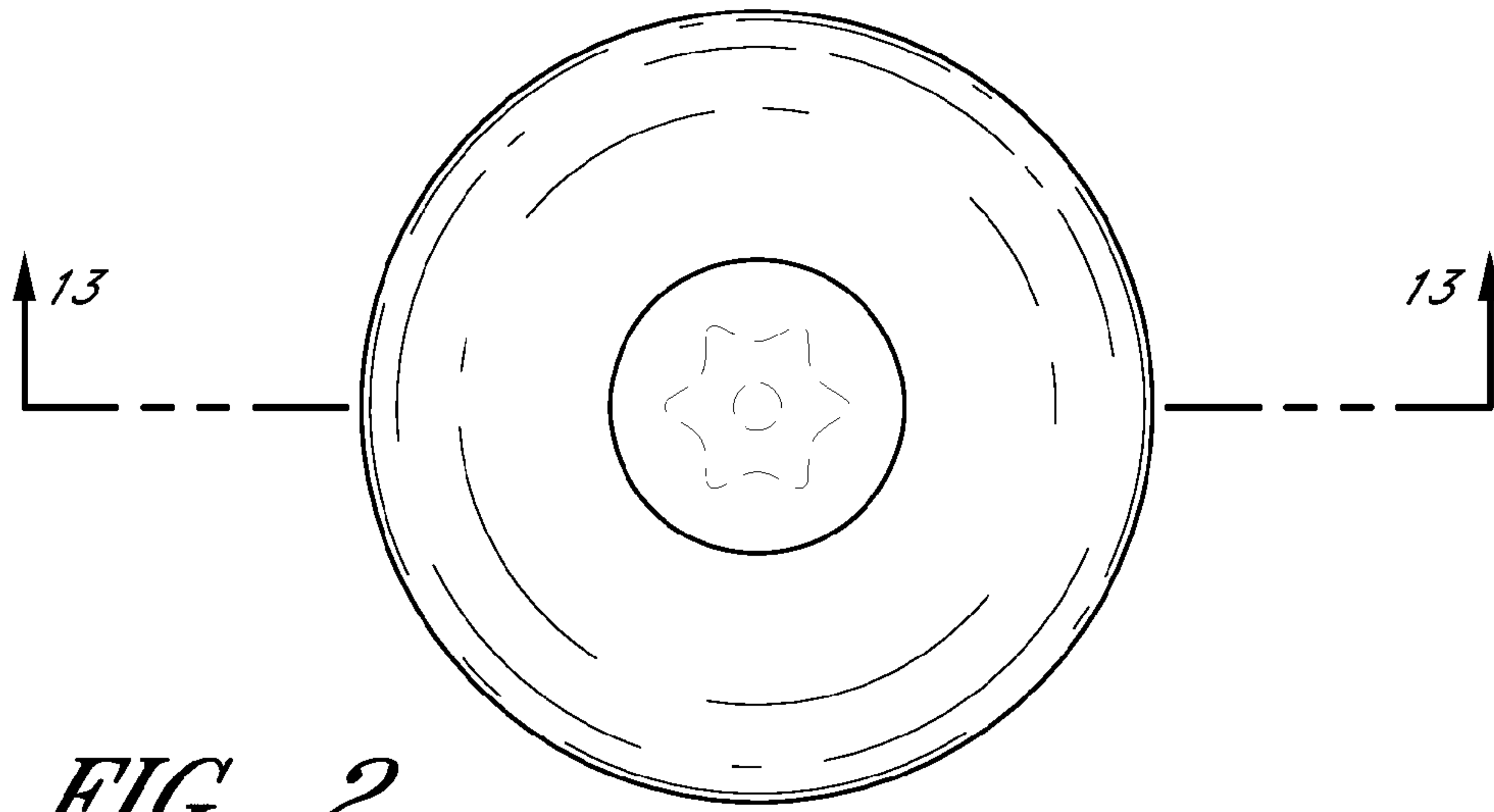
## U.S. PATENT DOCUMENTS

4,621,230 A	11/1986	Crouch et al.			
4,701,089 A *	10/1987	Nettel	411/373		
4,726,723 A	2/1988	Bainbridge			
4,732,517 A	3/1988	Crouch et al.			
D359,294 S *	6/1995	Szabo	D15/199		
D359,295 S *	6/1995	Szabo	D15/199		
D359,970 S *	7/1995	Szabo	D15/199		
5,517,730 A *	5/1996	Ho	24/92		
D380,668 S *	7/1997	Nakamura	D8/387		
5,653,564 A *	8/1997	Nakamura	411/373		
D386,068 S *	11/1997	Nakamura	D8/387		
5,752,795 A	5/1998	D'Adamo			
5,870,934 A *	2/1999	Cullinan	81/436		
5,890,859 A *	4/1999	Hasnik	411/372		
5,997,229 A	12/1999	Akers			
6,135,691 A	10/2000	Nadarajah et al.			
6,273,658 B1	8/2001	Patterson et al.			
6,494,658 B1	12/2002	Roy			
D483,252 S *	12/2003	Williamson	D8/387		
6,719,511 B2	4/2004	Notaro et al.			
6,923,230 B2	8/2005	Airoldi et al.			
7,004,701 B2	2/2006	Ross			
7,351,020 B1 *	4/2008	Notaro et al.	411/430		
7,445,414 B1 *	11/2008	Notaro et al.	411/432		
D608,626 S *	1/2010	Camisasca	D8/382		
D609,082 S *	2/2010	Camisasca et al.	D8/382		
2008/0044254 A1	2/2008	Wilson			

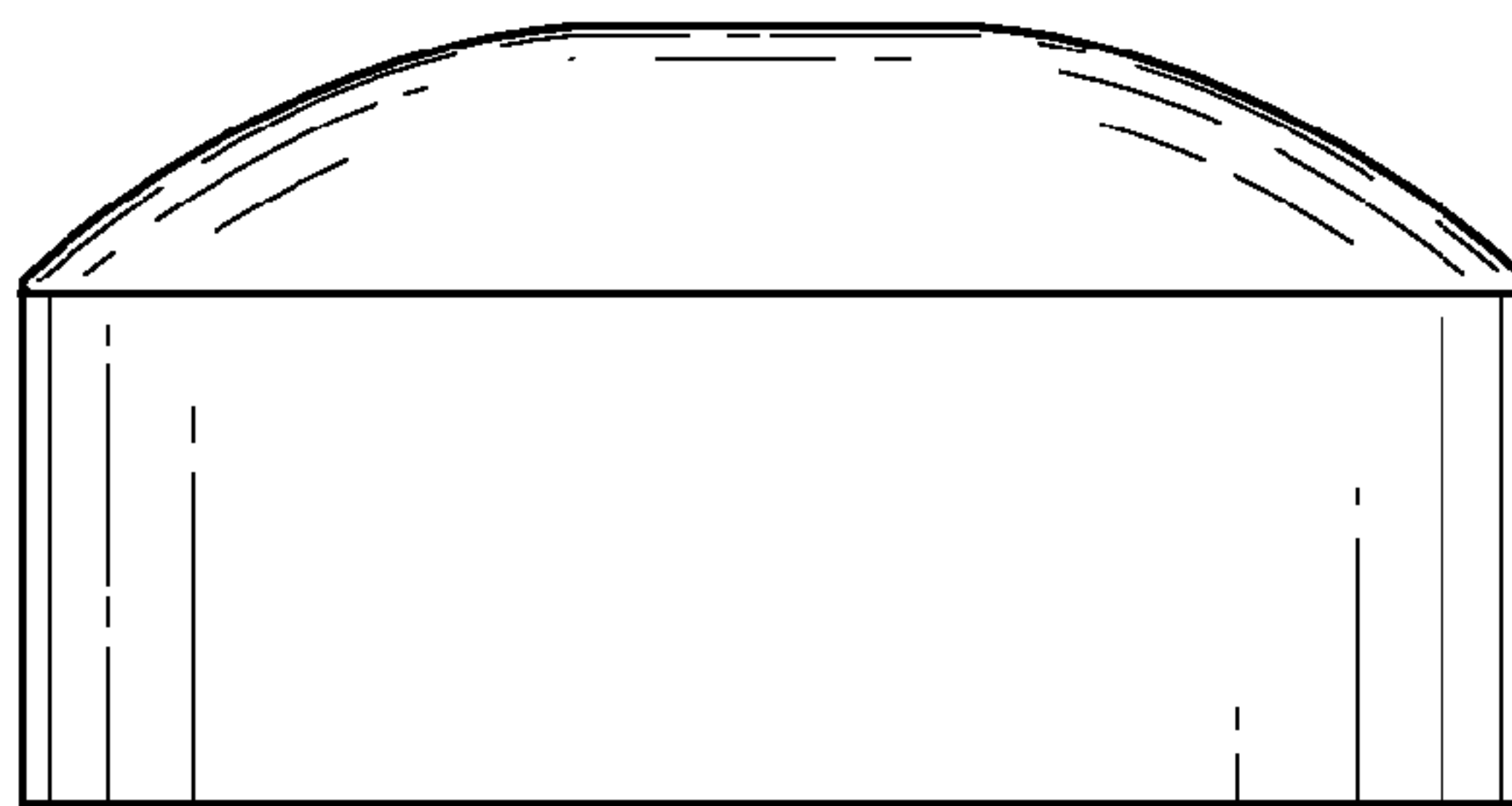
\* cited by examiner



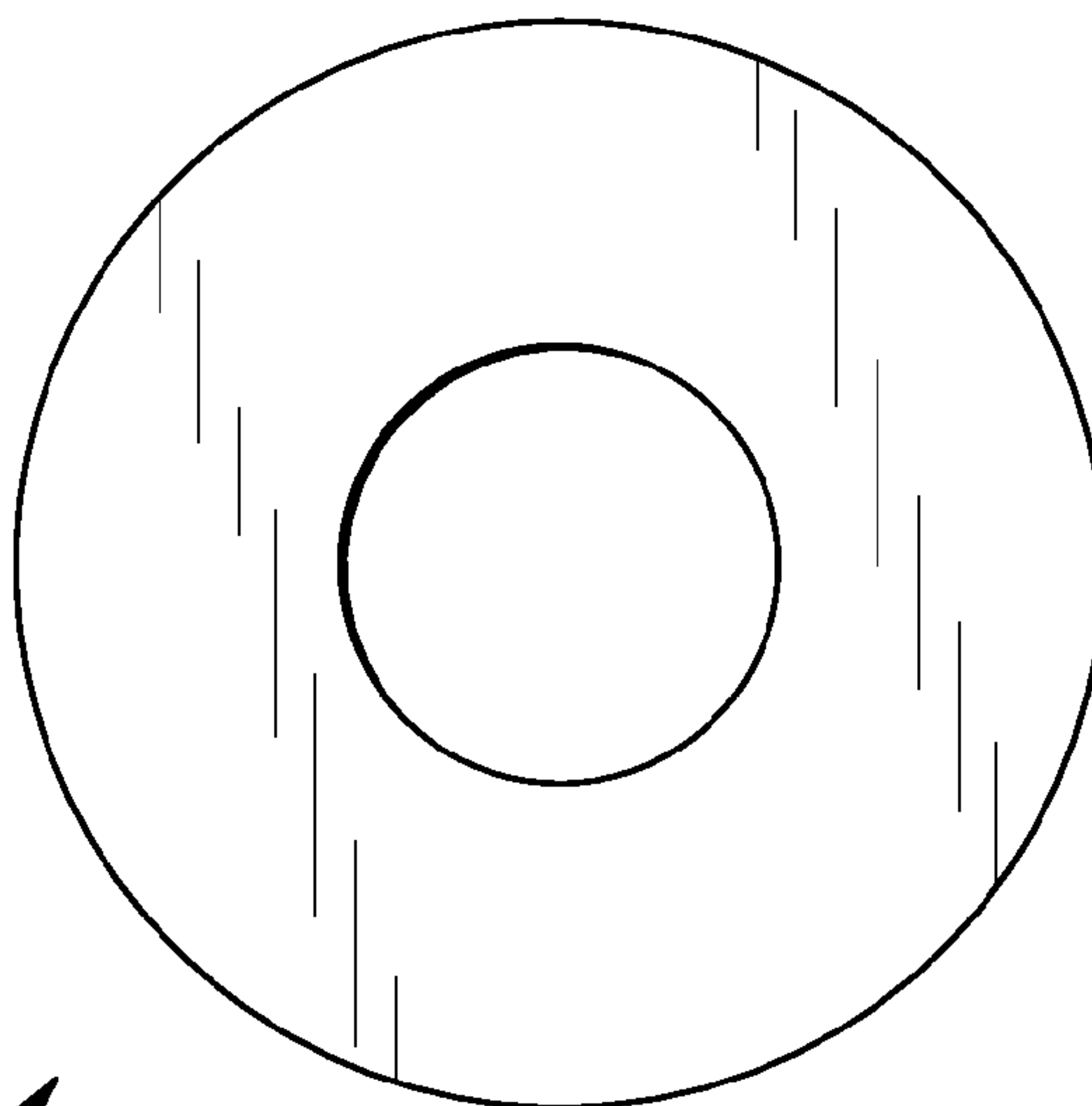
*FIG. 1*



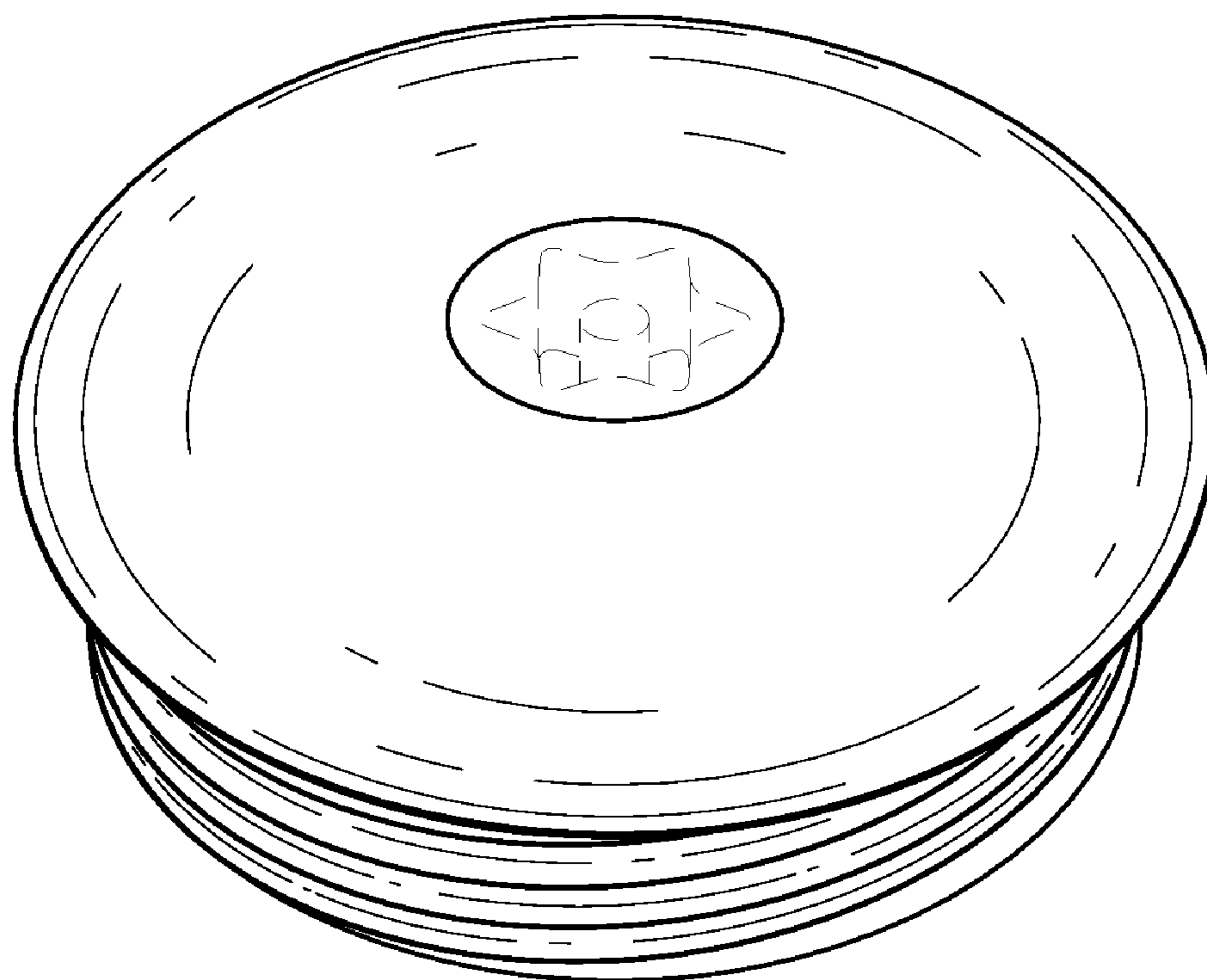
*FIG. 2*



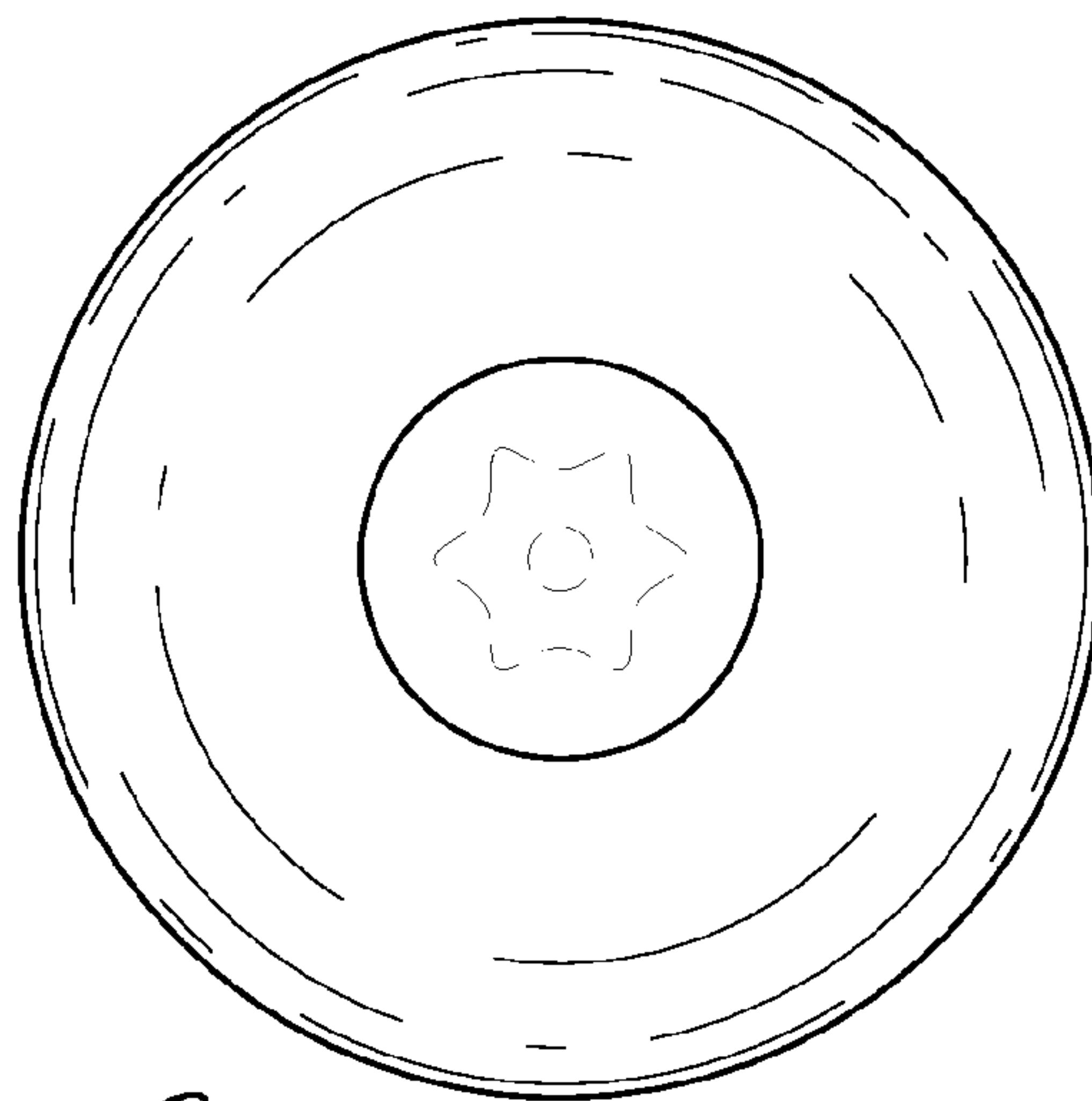
*FIG. 3*



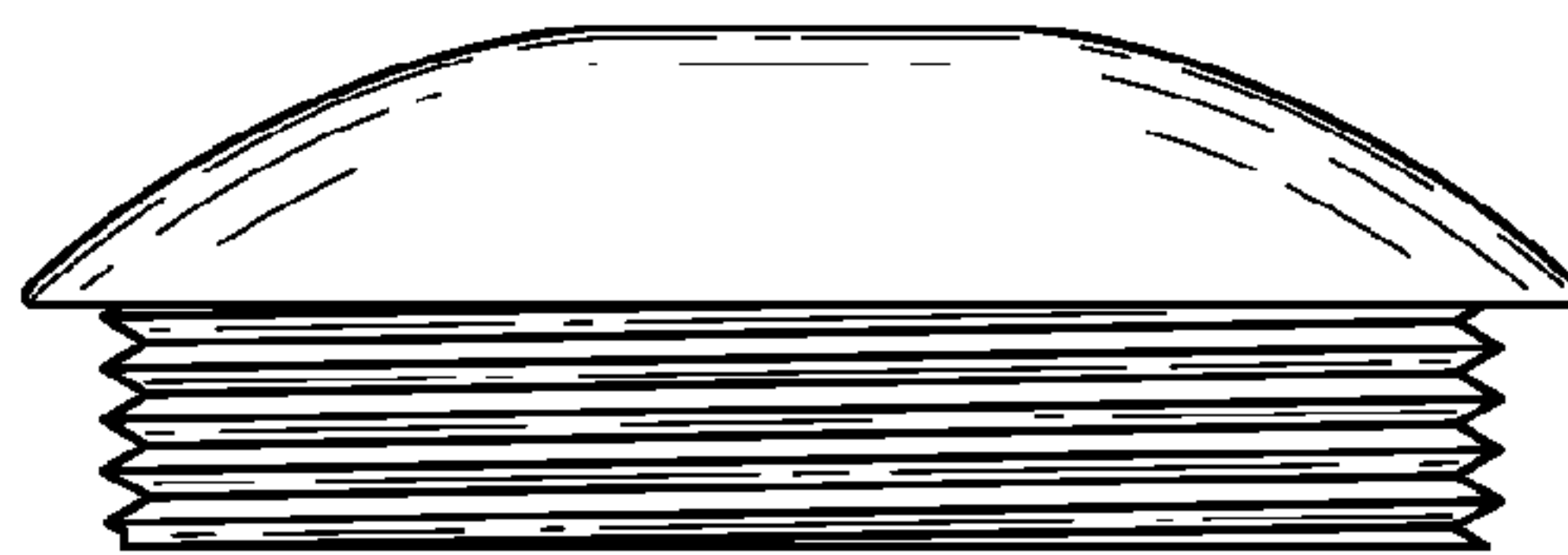
*FIG. 4*



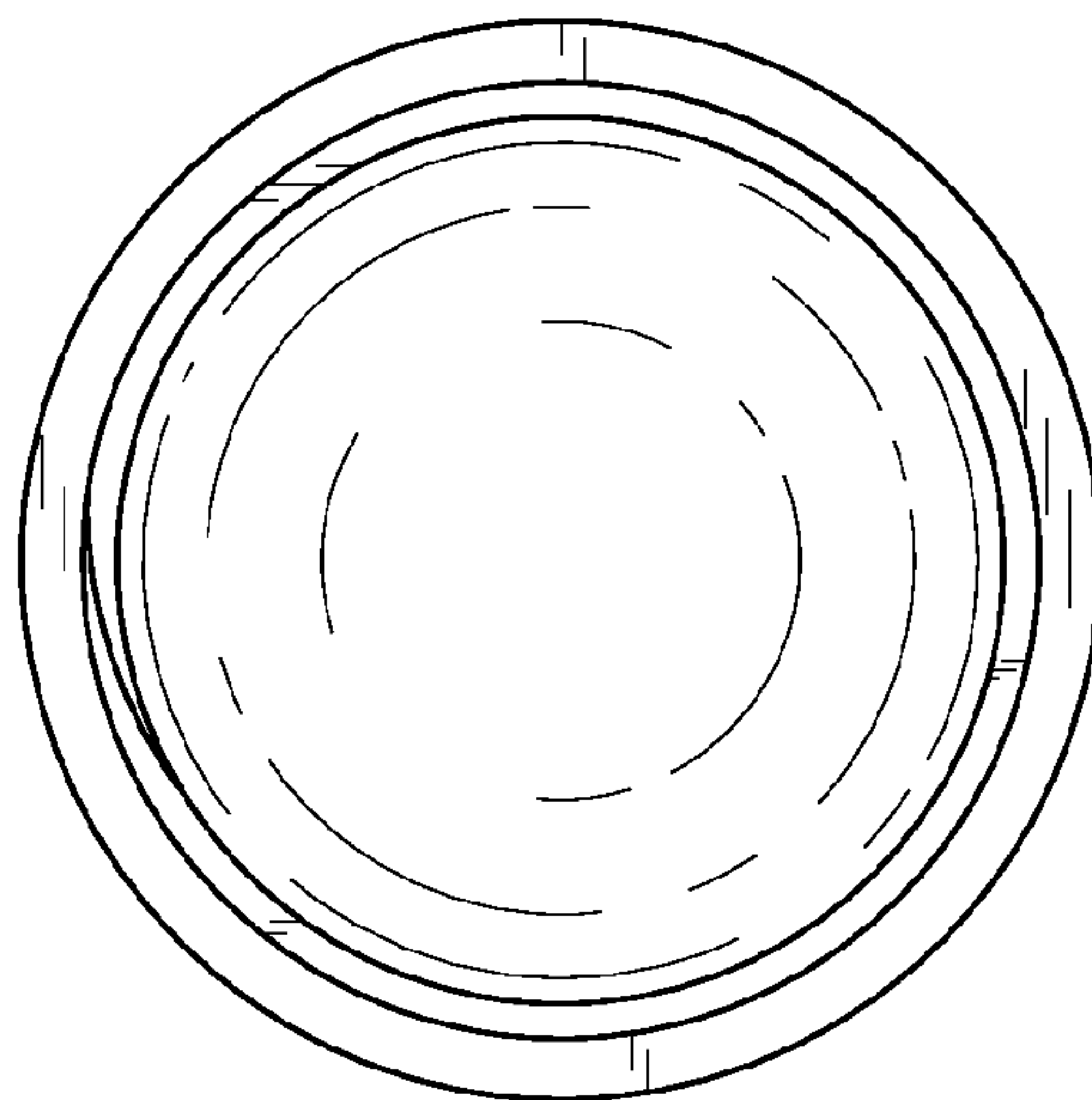
*FIG. 5*



*FIG. 6*

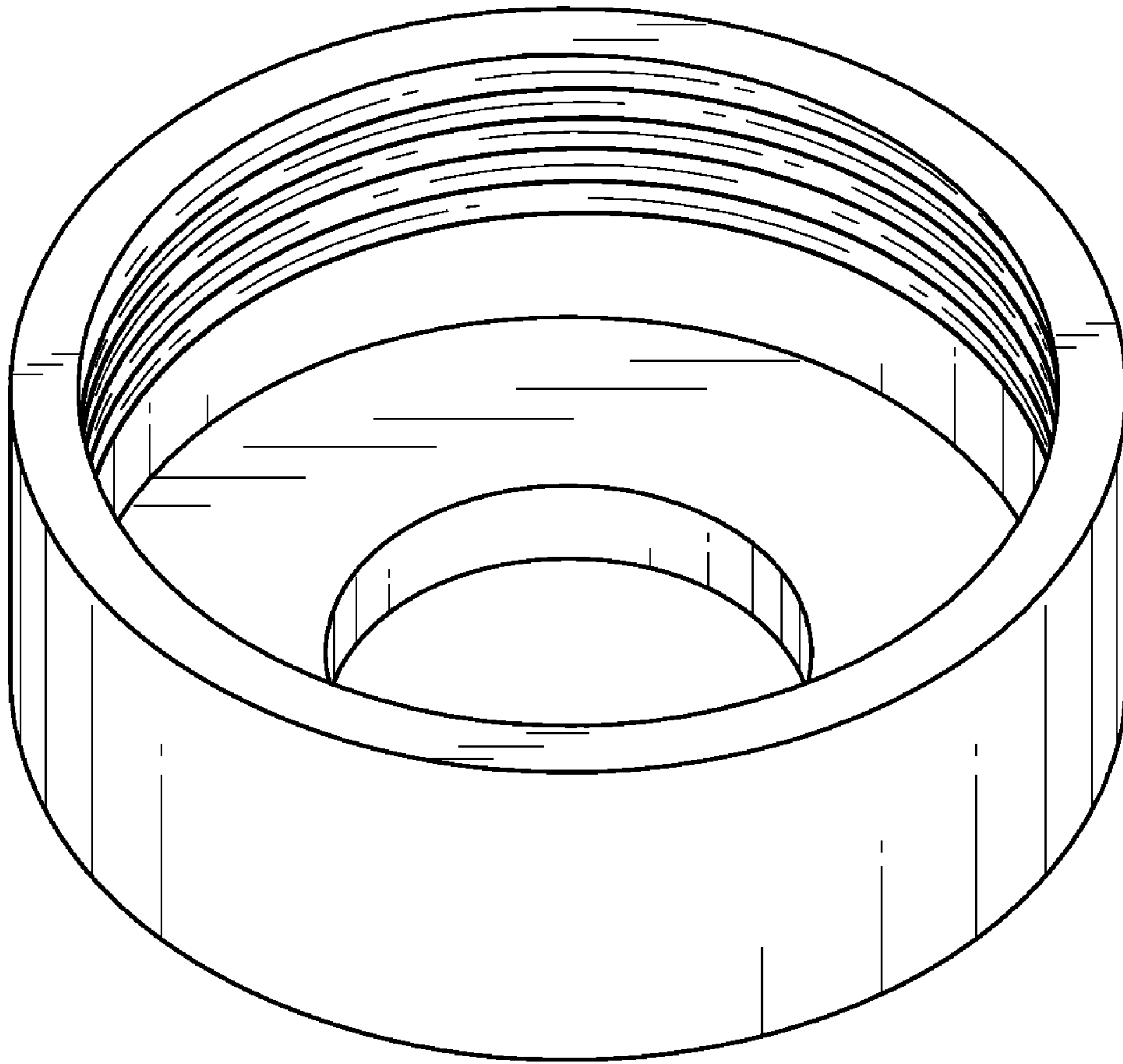


*FIG. 7*

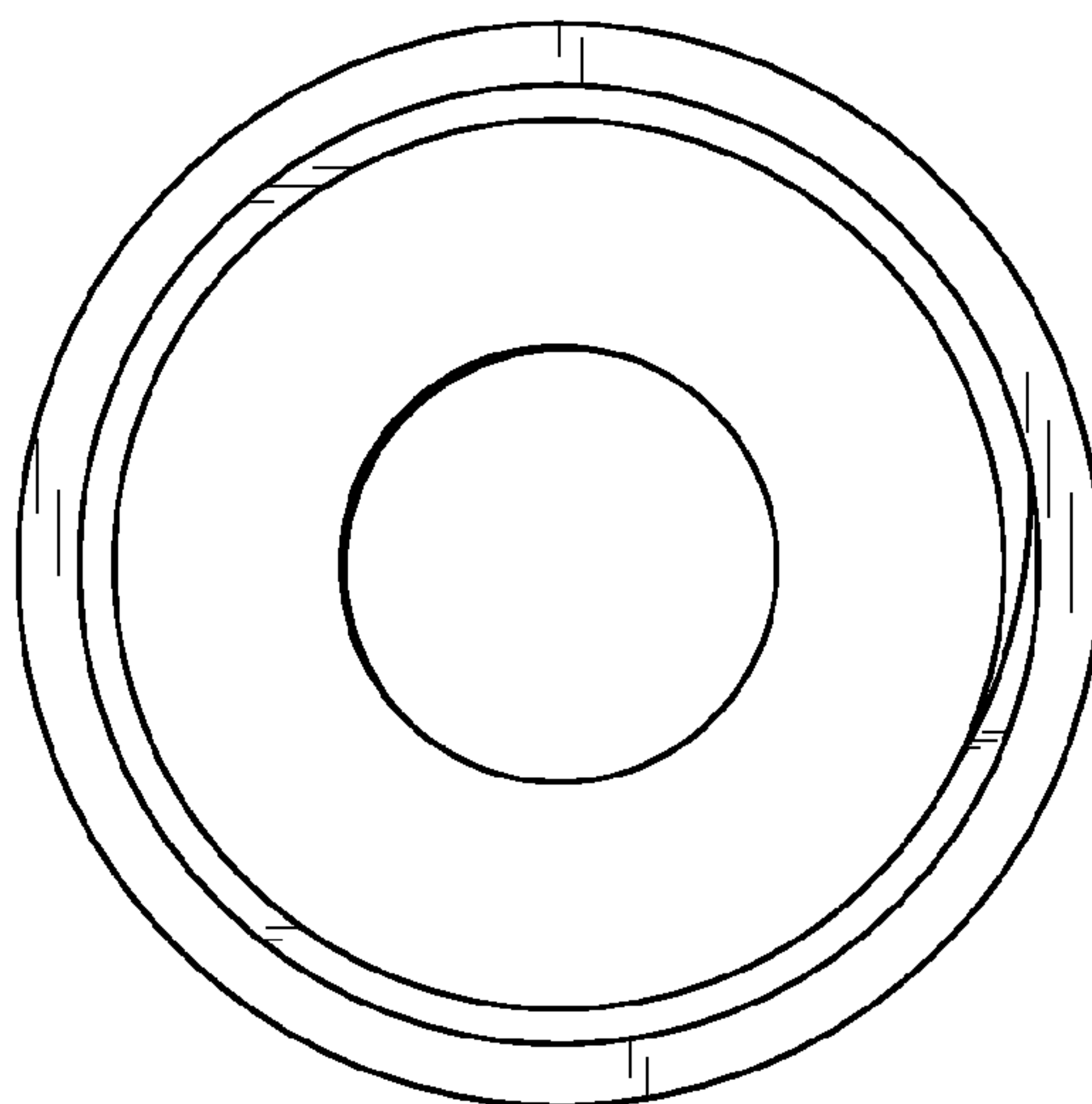


*FIG. 8*

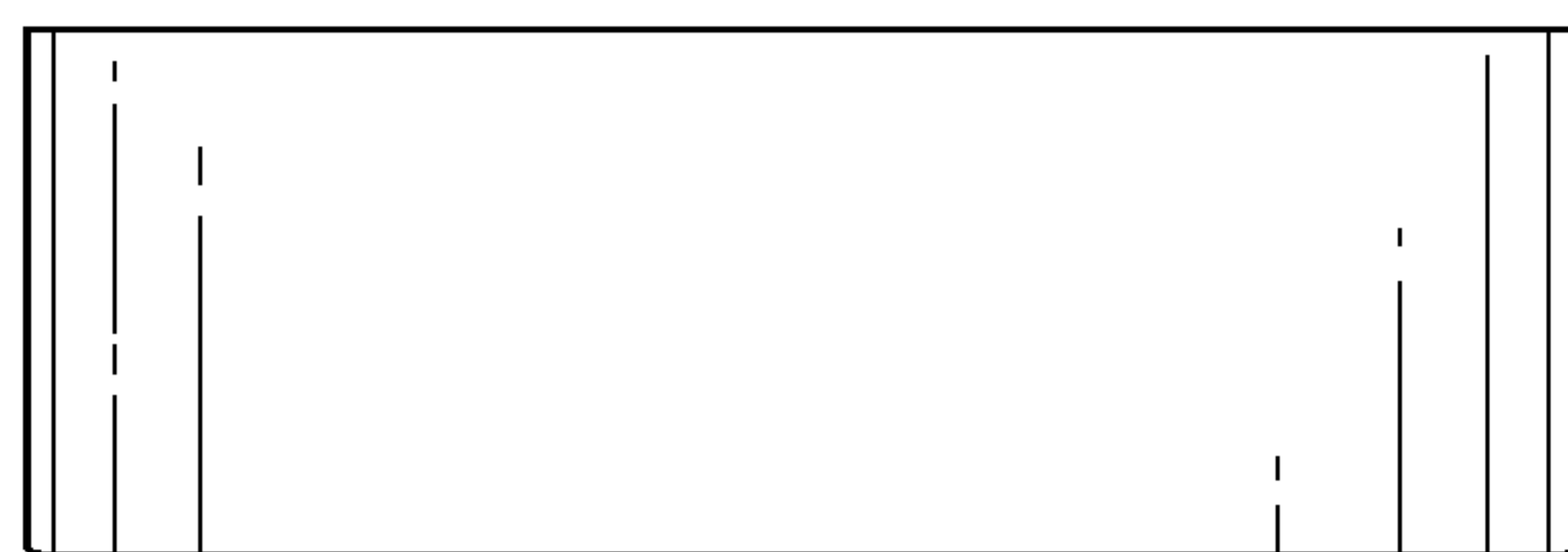




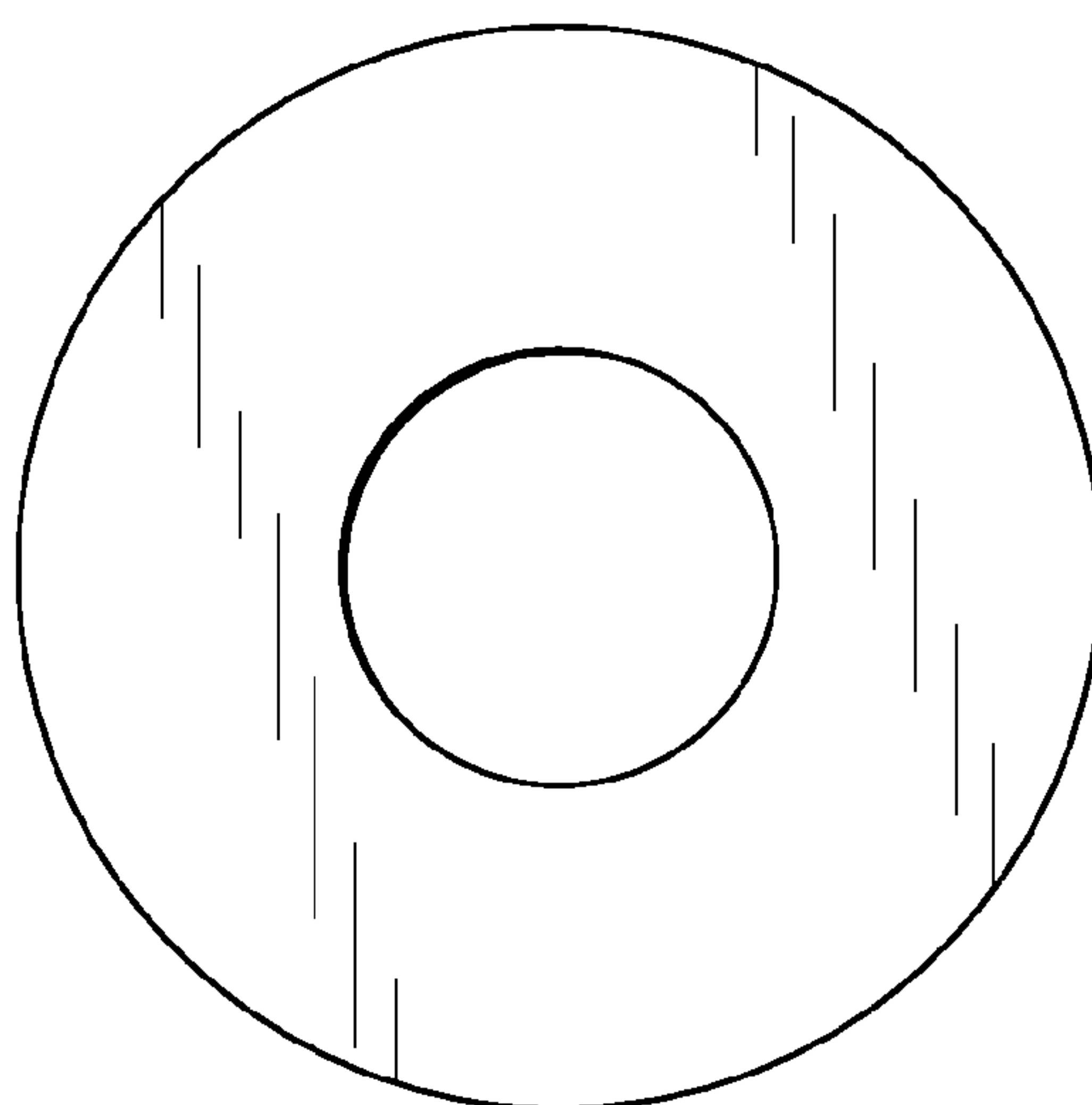
*FIG. 9*



*FIG. 10*

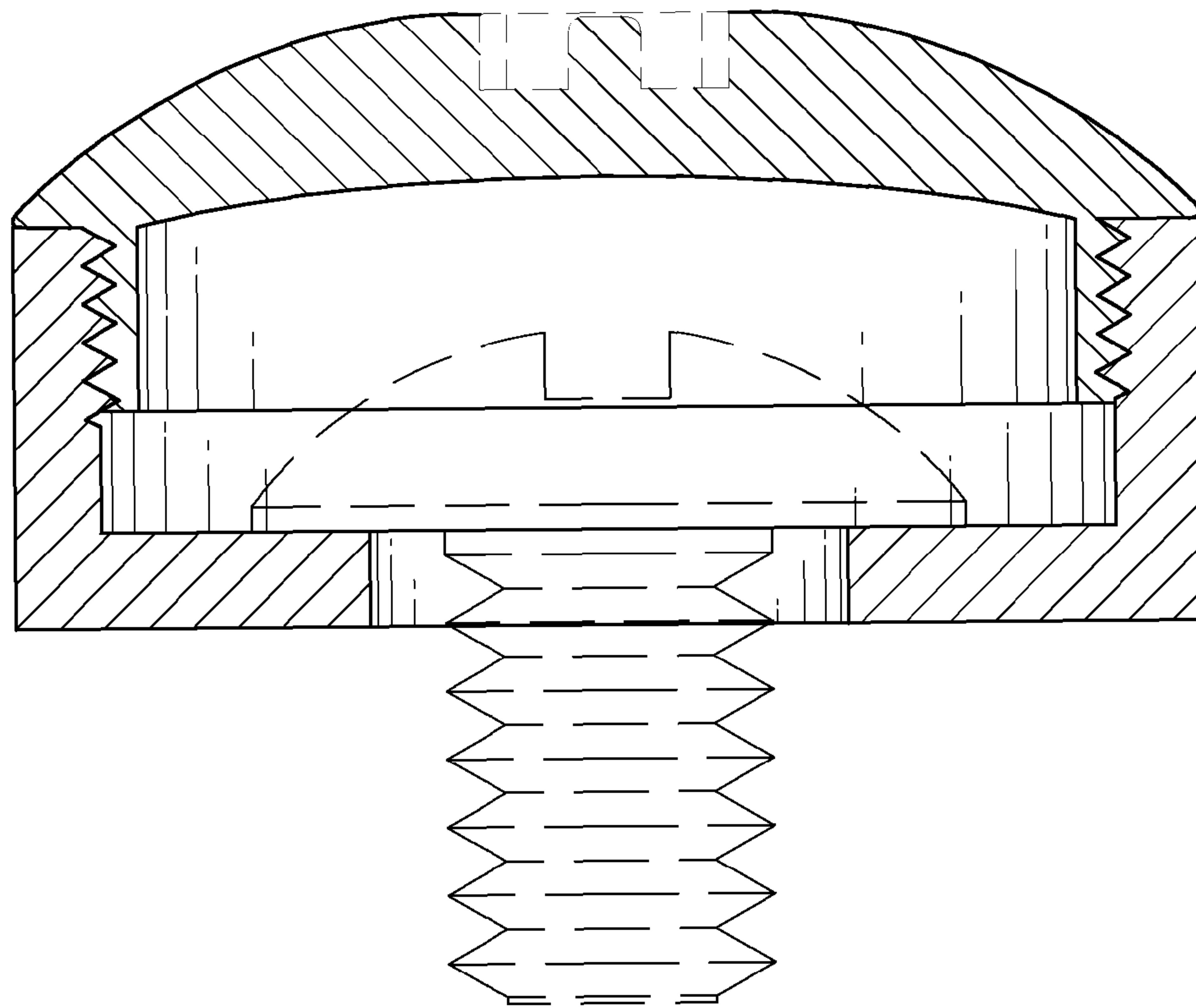


*FIG. 11*

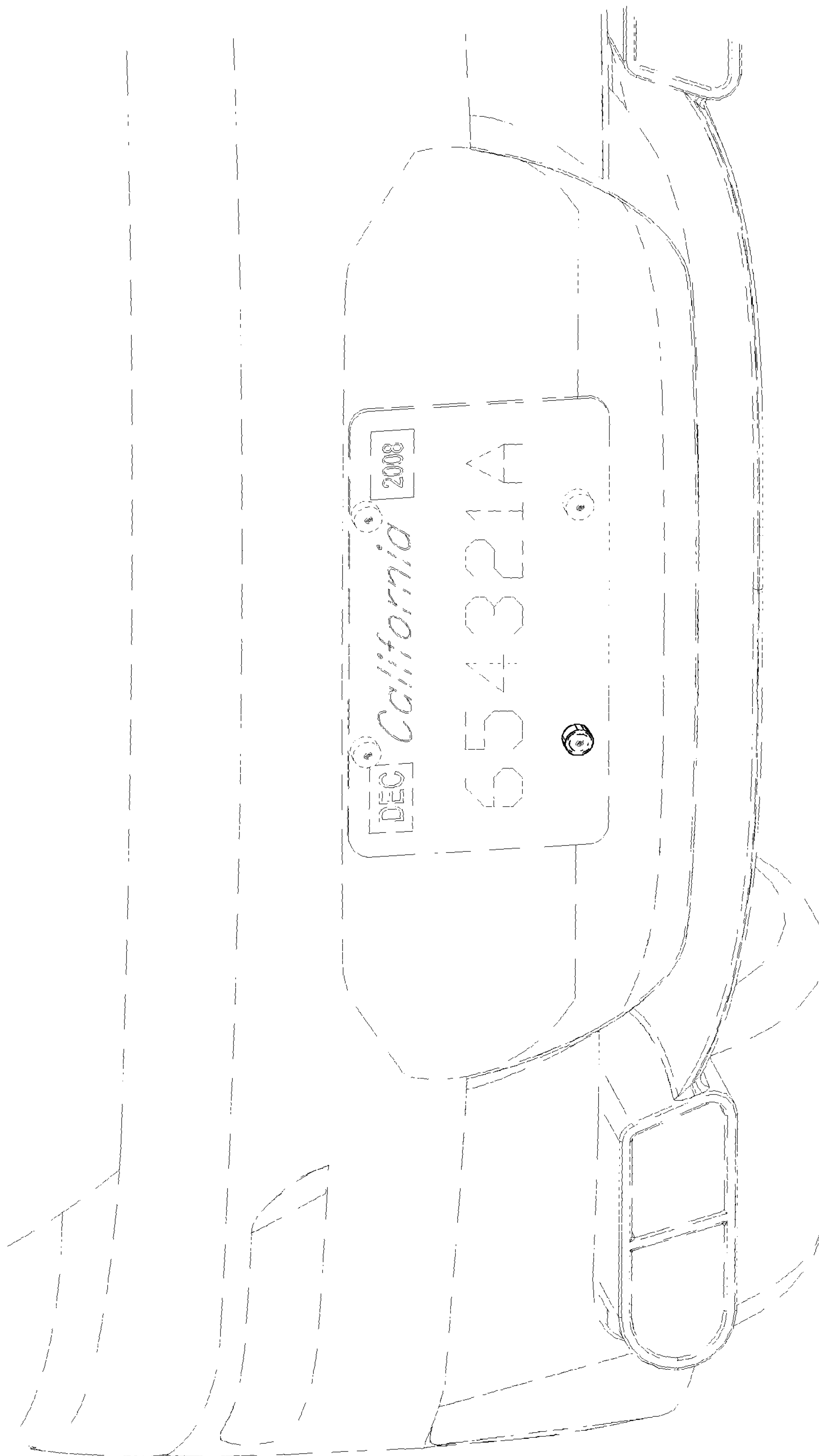


*FIG. 12*





*FIG. 13*



*FIG. 14*