



US00D621253S

(12) **United States Design Patent**
Heindl

(10) **Patent No.:** **US D621,253 S**
(45) **Date of Patent:** **** Aug. 10, 2010**

(54) **CONNECTING ELEMENT FOR SHEET PILES**

7,438,467 B2 * 10/2008 Borger 374/8

(75) Inventor: **Richard Heindl**, Munich (DE)

(73) Assignee: **Pilepro, LLC**, Rapid City, SD (US)

* cited by examiner

(**) Term: **14 Years**

Primary Examiner—Holly H Baynham

Assistant Examiner—Sheryl Lane

(21) Appl. No.: **29/346,742**

(74) *Attorney, Agent, or Firm*—Karl F. Milde, Jr.; Eckert
Seamans Cherin & Mellott, LLC

(22) Filed: **Nov. 5, 2009**

(30) **Foreign Application Priority Data**

May 5, 2009 (EM) 001134878

(57) **CLAIM**

The ornamental design for a connecting element for sheet
piles, as shown and described.

(51) **LOC (9) Cl.** **08-08**

(52) **U.S. Cl.** **D8/382**

(58) **Field of Classification Search** D8/382,
D8/394, 395; D25/119; 403/279, 278; 24/573.09,
24/346, 370, 598.5

See application file for complete search history.

DESCRIPTION

FIG. 1 is a perspective view of the connecting element for
sheet piles according to my design. The connecting element is
of indeterminate length; and,

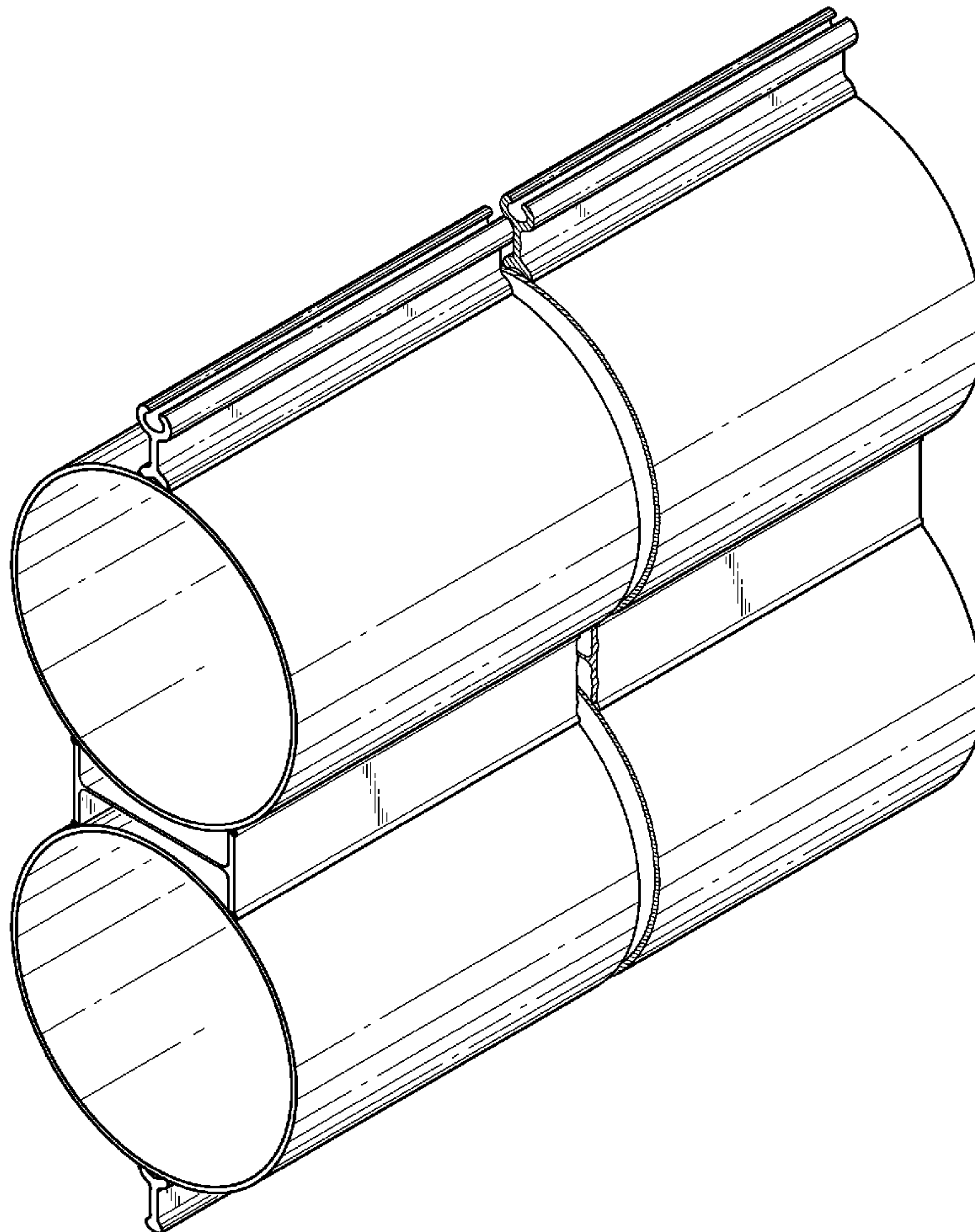
FIG. 2 an end view of the connecting element of FIG. 1.

(56) **References Cited**

U.S. PATENT DOCUMENTS

D576,024 S * 9/2008 Mazzocco D8/382

1 Claim, 2 Drawing Sheets



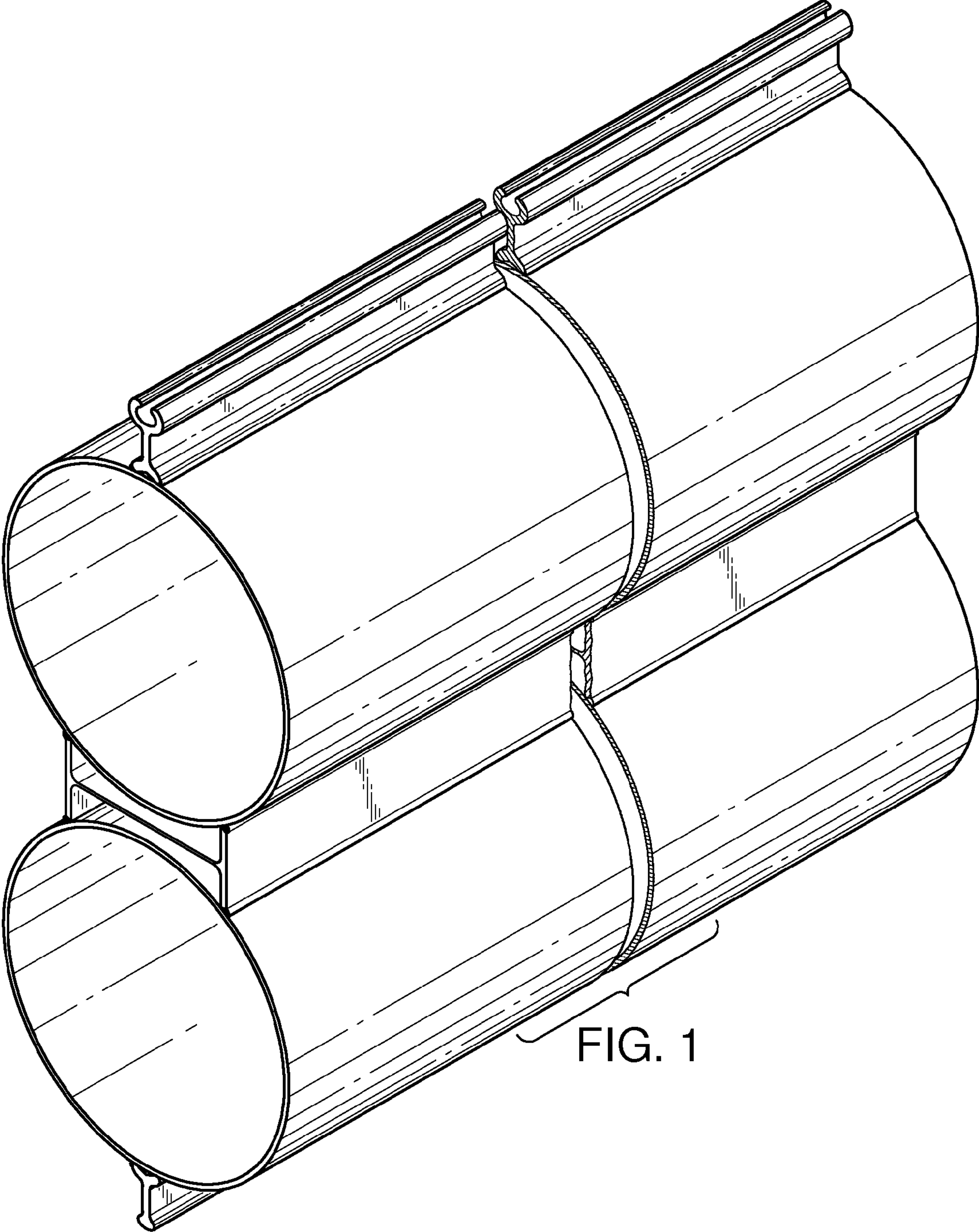


FIG. 1

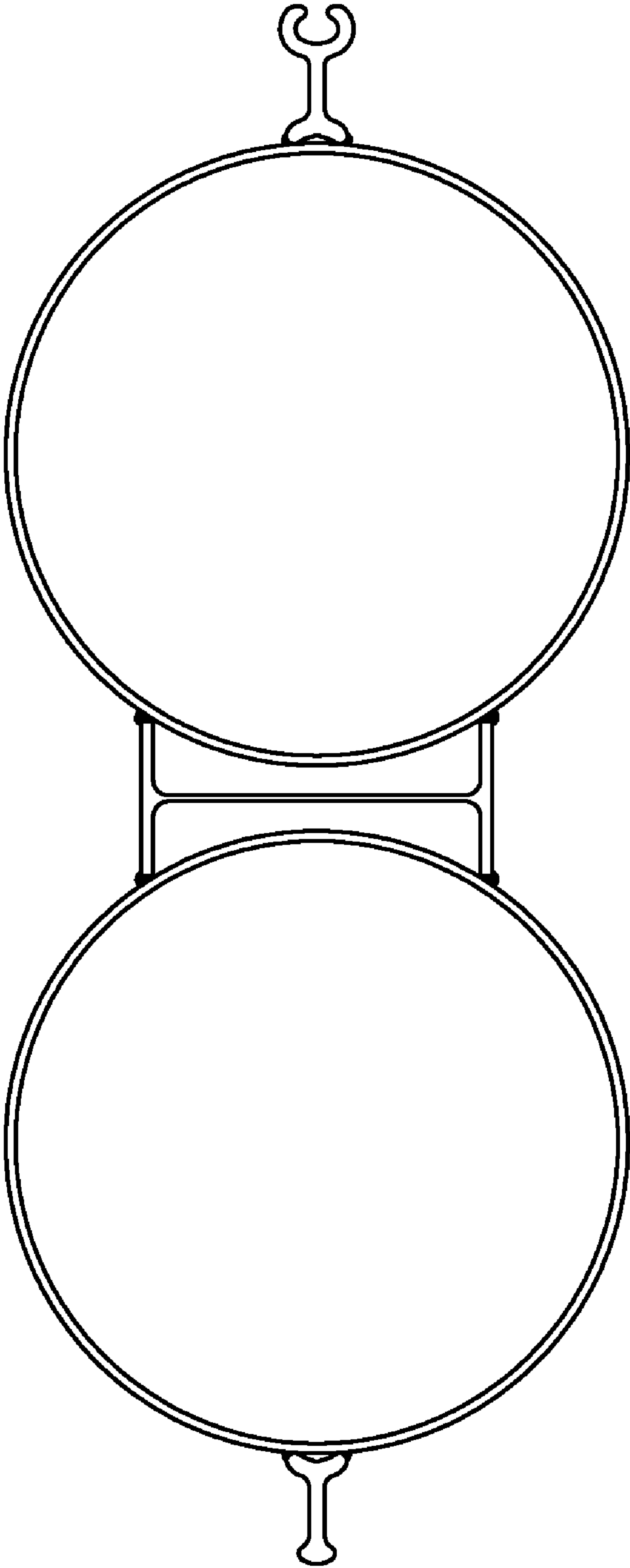


FIG. 2