



US00D621252S

(12) **United States Design Patent**
Heindl

(10) **Patent No.:** **US D621,252 S**

(45) **Date of Patent:** **** Aug. 10, 2010**

(54) **BALL-SOCKET-STAR-2 SHEET PILE
CONNECTING ELEMENT**

(75) Inventor: **Richard Heindl**, Munich (DE)

(73) Assignee: **Pilepro, LLC**, Rapid City, SD (US)

(**) Term: **14 Years**

(21) Appl. No.: **29/316,028**

(22) Filed: **Aug. 17, 2009**

(51) **LOC (9) Cl.** **08-08**

(52) **U.S. Cl.** **D8/382**

(58) **Field of Classification Search** D8/382,
D8/394, 395; D25/119, 61; 405/279, 278;
24/573.09, 346, 370

See application file for complete search history.

(56) **References Cited**

U.S. PATENT DOCUMENTS

1,032,109	A *	7/1912	Buckingham	405/279
3,688,508	A *	9/1972	Taylor	405/278
D464,738	S *	10/2002	Wall	D25/61
D465,580	S *	11/2002	Wall	D25/61
D472,455	S *	4/2003	Wall	D8/382
D517,905	S *	3/2006	Wall	D8/382
D521,365	S *	5/2006	Wall	D8/382
D527,248	S *	8/2006	Heindl et al.	D8/382
D527,249	S *	8/2006	Heindl et al.	D8/382
D527,619	S *	9/2006	Heindl et al.	D8/382
D540,660	S *	4/2007	Heindl	D8/382
D540,661	S *	4/2007	Heindl	D8/382
D541,639	S *	5/2007	Heindl	D8/382

D541,640	S *	5/2007	Heindl	D8/382
D542,634	S *	5/2007	Heindl	D8/382
D542,635	S *	5/2007	Heindl	D8/382
D542,636	S *	5/2007	Heindl	D8/382
D542,637	S *	5/2007	Heindl	D8/382
D542,638	S *	5/2007	Heindl	D8/382
D542,639	S *	5/2007	Heindl	D8/382
D542,640	S *	5/2007	Heindl	D8/382
D542,641	S *	5/2007	Heindl	D8/382
D543,097	S *	5/2007	Heindl	D8/382
D543,098	S *	5/2007	Heindl	D8/382
D543,841	S *	6/2007	Heindl et al.	D8/382
D579,578	S *	10/2008	Chaney et al.	D25/119
D587,819	S *	3/2009	Ryan	D25/119
2008/0219776	A1 *	9/2008	Heindl et al.	405/279
2008/0310924	A1 *	12/2008	Heindl	405/279

* cited by examiner

Primary Examiner—Holly H Baynham

Assistant Examiner—Sheryl Lane

(74) *Attorney, Agent, or Firm*—Karl F. Milde, Jr.; Eckert
Seamans Cherin & Mellott, LLC

(57) **CLAIM**

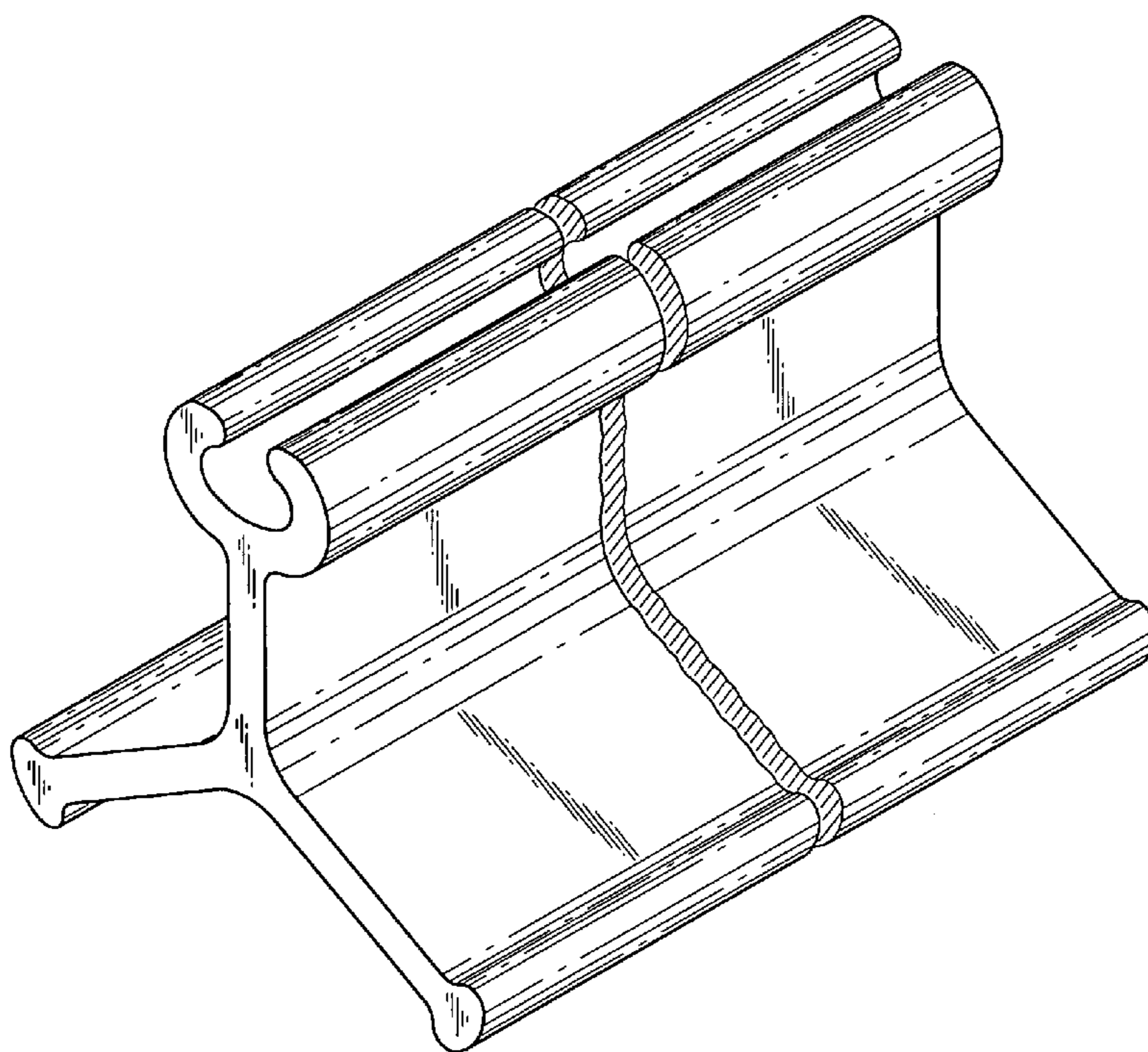
The ornamental design for a ball-socket-star-2 sheet pile connecting element, as shown and described.

DESCRIPTION

FIG. 1 is a perspective view of the connecting element for sheet piles according to my design. The connecting element is shown broken away in the middle to indicate the connector has no specific length; and,

FIG. 2 a front view of the connecting element of FIG. 1.

1 Claim, 1 Drawing Sheet



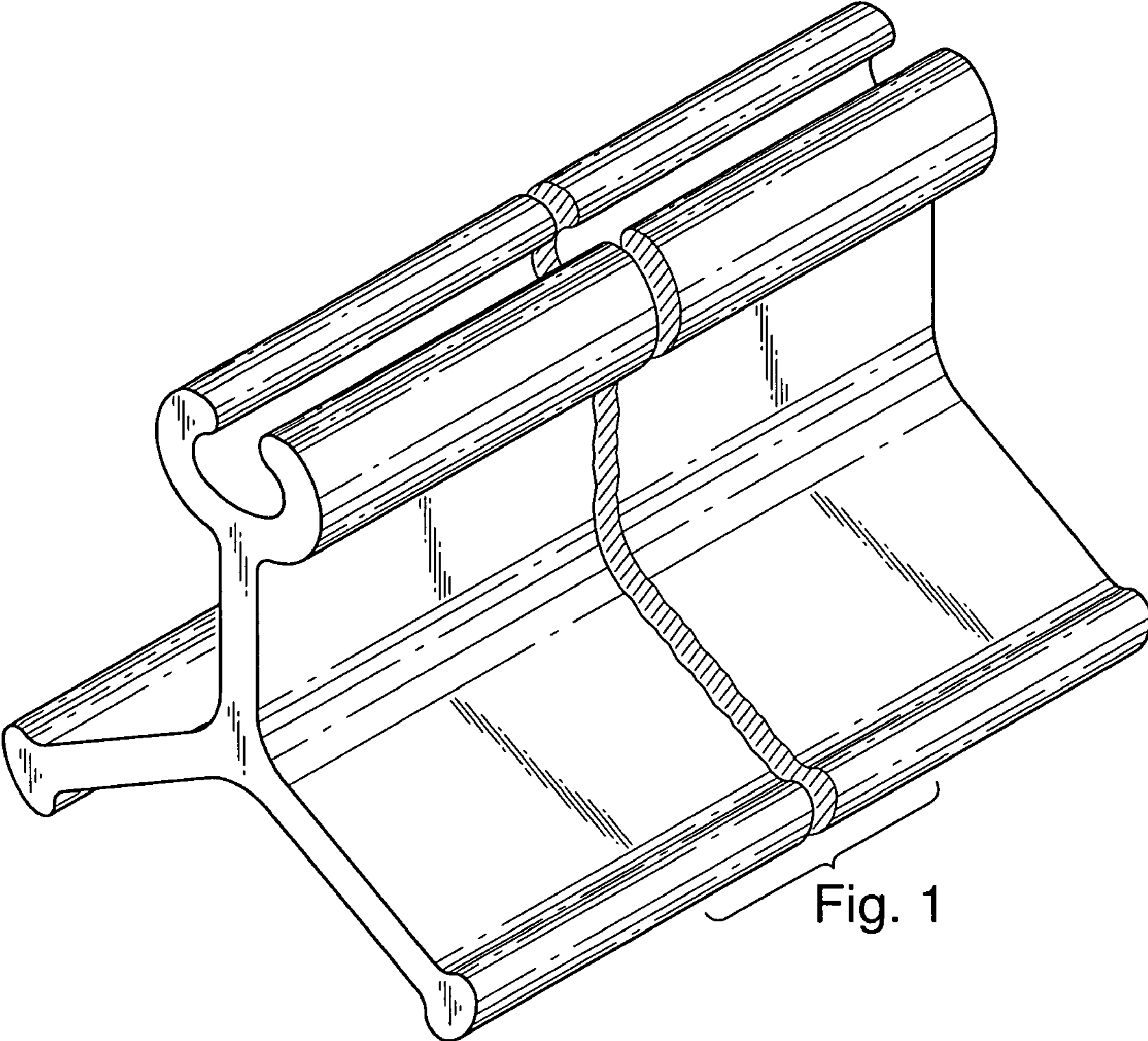


Fig. 1

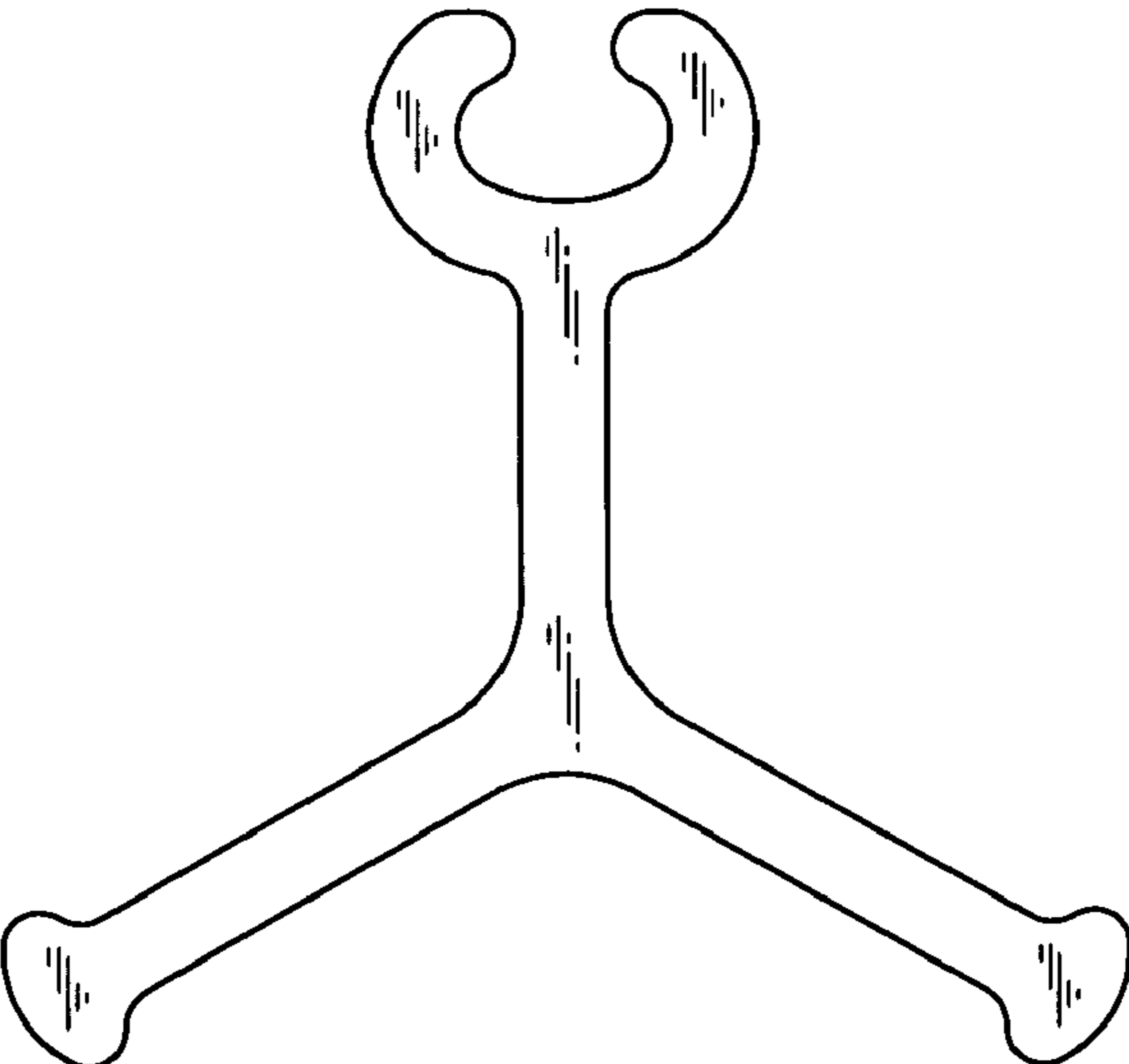


Fig. 2