



US00D621251S

(12) **United States Design Patent**
Heindl

(10) **Patent No.:** **US D621,251 S**

(45) **Date of Patent:** **** Aug. 10, 2010**

(54) **BALL-SOCKET-STAR-1 SHEET PILE
CONNECTING ELEMENT**

(75) Inventor: **Richard Heindl**, Munich (DE)

(73) Assignee: **Pilepro, LLC**, Rapid City, SD (US)

(**) Term: **14 Years**

(21) Appl. No.: **29/316,027**

(22) Filed: **Aug. 17, 2009**

(51) **LOC (9) Cl.** **08-08**

(52) **U.S. Cl.** **D8/382**

(58) **Field of Classification Search** D8/382,
D8/394, 395; D25/119, 61; 405/279, 278;
24/573.09, 346, 370

See application file for complete search history.

(56) **References Cited**

U.S. PATENT DOCUMENTS

| | | | | | |
|-----------|-----|---------|------------|-------|---------|
| 1,032,109 | A * | 7/1912 | Buckingham | | 405/279 |
| 3,688,508 | A * | 9/1972 | Taylor | | 405/278 |
| D464,738 | S * | 10/2002 | Wall | | D25/61 |
| D465,580 | S * | 11/2002 | Wall | | D25/61 |
| D472,455 | S * | 4/2003 | Wall | | D8/382 |

D517,905 S * 3/2006 Wall D8/382

D521,365 S * 5/2006 Wall D8/382

D527,248 S * 8/2006 Heindl et al. D8/382

D579,578 S * 10/2008 Chaney et al. D25/119

D587,819 S * 3/2009 Ryan D25/119

2008/0219776 A1 * 9/2008 Heindl et al. 405/279

2008/0310924 A1 * 12/2008 Heindl 405/279

* cited by examiner

Primary Examiner—Holly H Baynham

Assistant Examiner—Sheryl Lane

(74) *Attorney, Agent, or Firm*—Karl F. Milde, Jr.; Eckert
Seamans Cherin & Mellott, LLC

(57) **CLAIM**

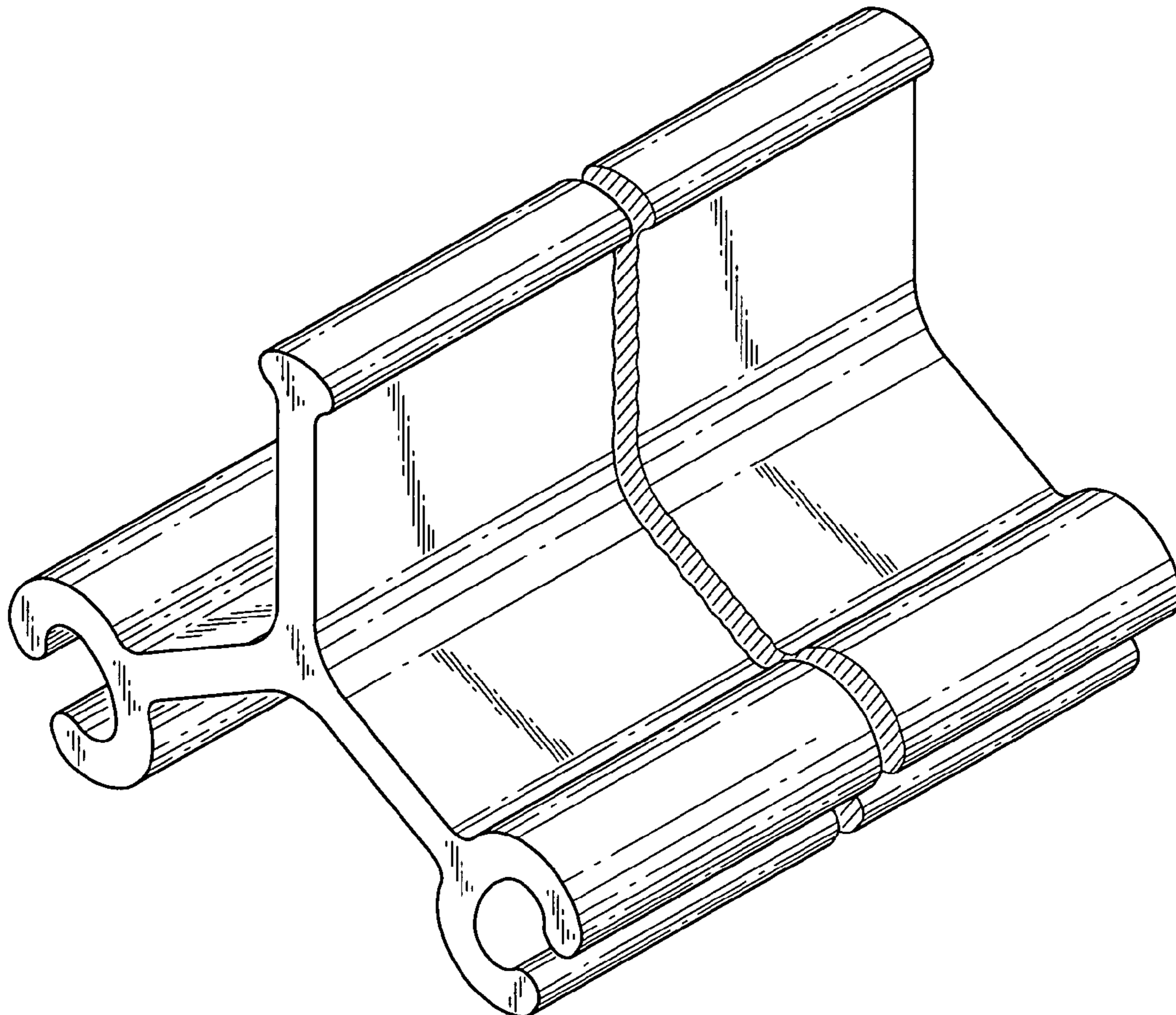
The ornamental design for a ball-socket-star-1 sheet pile connecting element, as shown and described.

DESCRIPTION

FIG. 1 is a perspective view of the connecting element for sheet piles according to my design. The connecting element is shown broken away in the middle to indicate the connector has no specific length; and,

FIG. 2 a front view of the connecting element of FIG. 1.

1 Claim, 1 Drawing Sheet



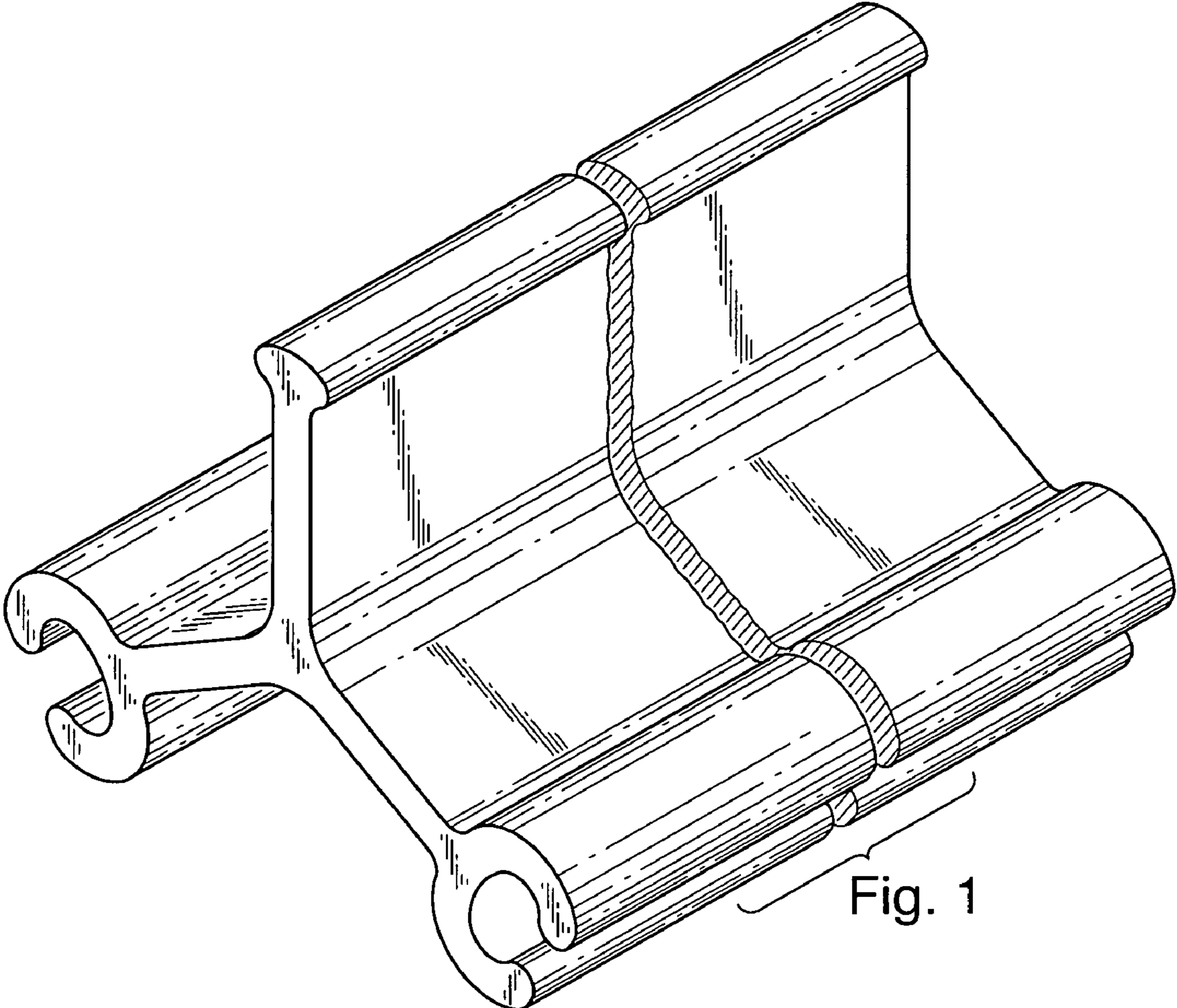


Fig. 1

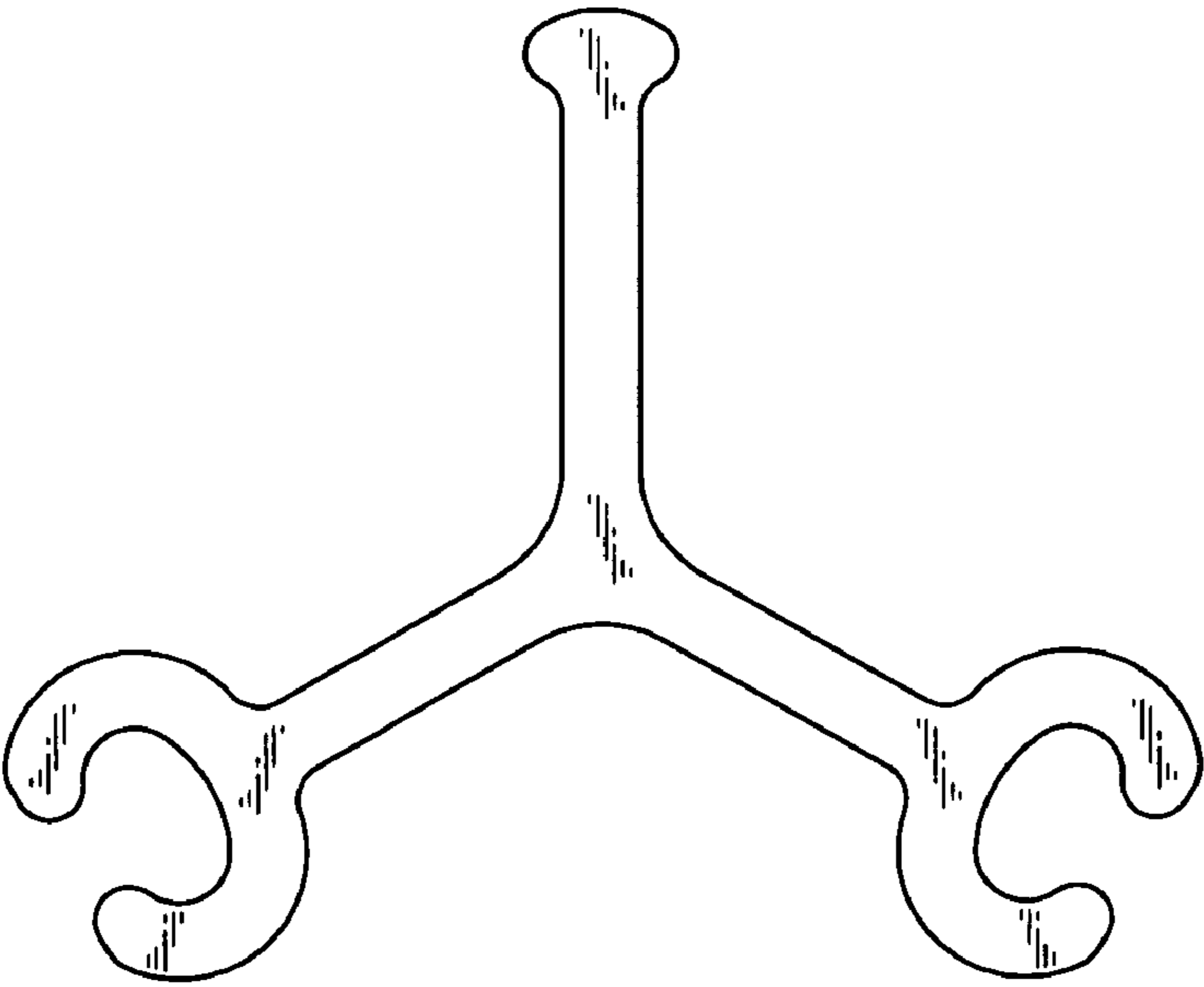


Fig. 2