



US00D621249S

(12) **United States Design Patent**  
**Heindl**

(10) **Patent No.:** **US D621,249 S**

(45) **Date of Patent:** **\*\* Aug. 10, 2010**

(54) **BALL-STAR SHEET PILE CONNECTING ELEMENT**

D527,249 S \* 8/2006 Heindl et al. .... D8/382  
D527,619 S \* 9/2006 Heindl et al. .... D8/382  
D579,578 S \* 10/2008 Chaney et al. .... D25/119  
D587,819 S \* 3/2009 Ryan ..... D25/119

(75) Inventor: **Richard Heindl**, Munich (DE)

(73) Assignee: **Pilepro, LLC**, Rapid City, SD (US)

\* cited by examiner

(\*\*) Term: **14 Years**

*Primary Examiner*—Holly H Baynham

*Assistant Examiner*—Sheryl Lane

(21) Appl. No.: **29/316,025**

(74) *Attorney, Agent, or Firm*—Karl F. Milde, Jr.; Eckert  
Seamans Cherin & Mellott, LLC

(22) Filed: **Aug. 17, 2009**

(51) **LOC (9) Cl.** ..... **08-08**

(52) **U.S. Cl.** ..... **D8/382**

(58) **Field of Classification Search** ..... D8/382,  
D8/394, 395; D25/119, 61; 405/279, 278;  
24/573.09, 346, 370

See application file for complete search history.

(57) **CLAIM**

The ornamental design for a ball-star sheet pile connecting element, as shown and described.

**DESCRIPTION**

FIG. 1 is a perspective view of the connecting element for sheet piles according to my design. The connecting element is shown broken away in the middle to indicate the connector has no specific length; and,

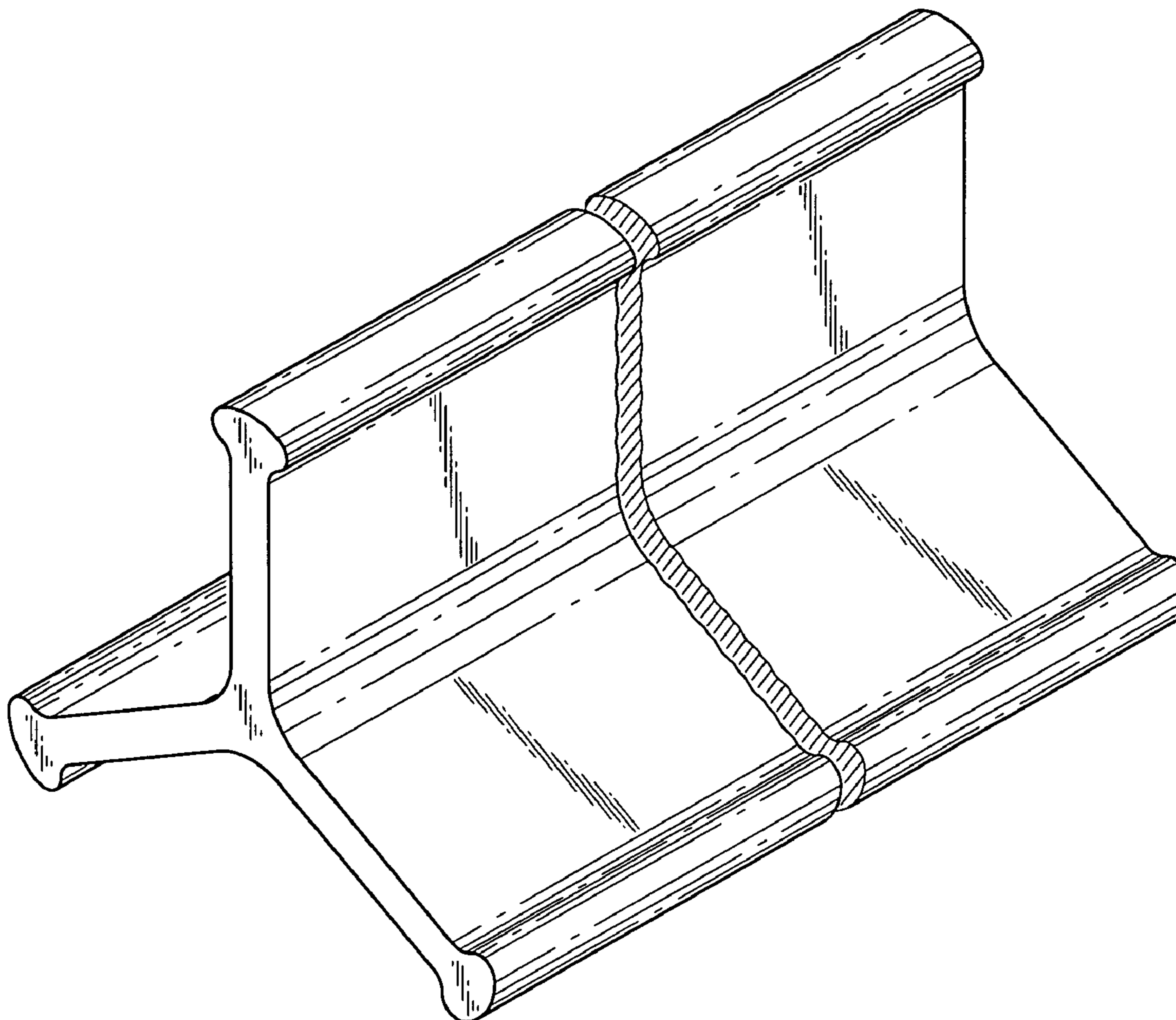
FIG. 2 a front view of the connecting element of FIG. 1.

(56) **References Cited**

U.S. PATENT DOCUMENTS

D176,582 S \* 1/1956 Bacon ..... D6/509  
D331,188 S \* 11/1992 Stolk ..... D8/394  
D464,738 S \* 10/2002 Wall ..... D25/61

**1 Claim, 1 Drawing Sheet**



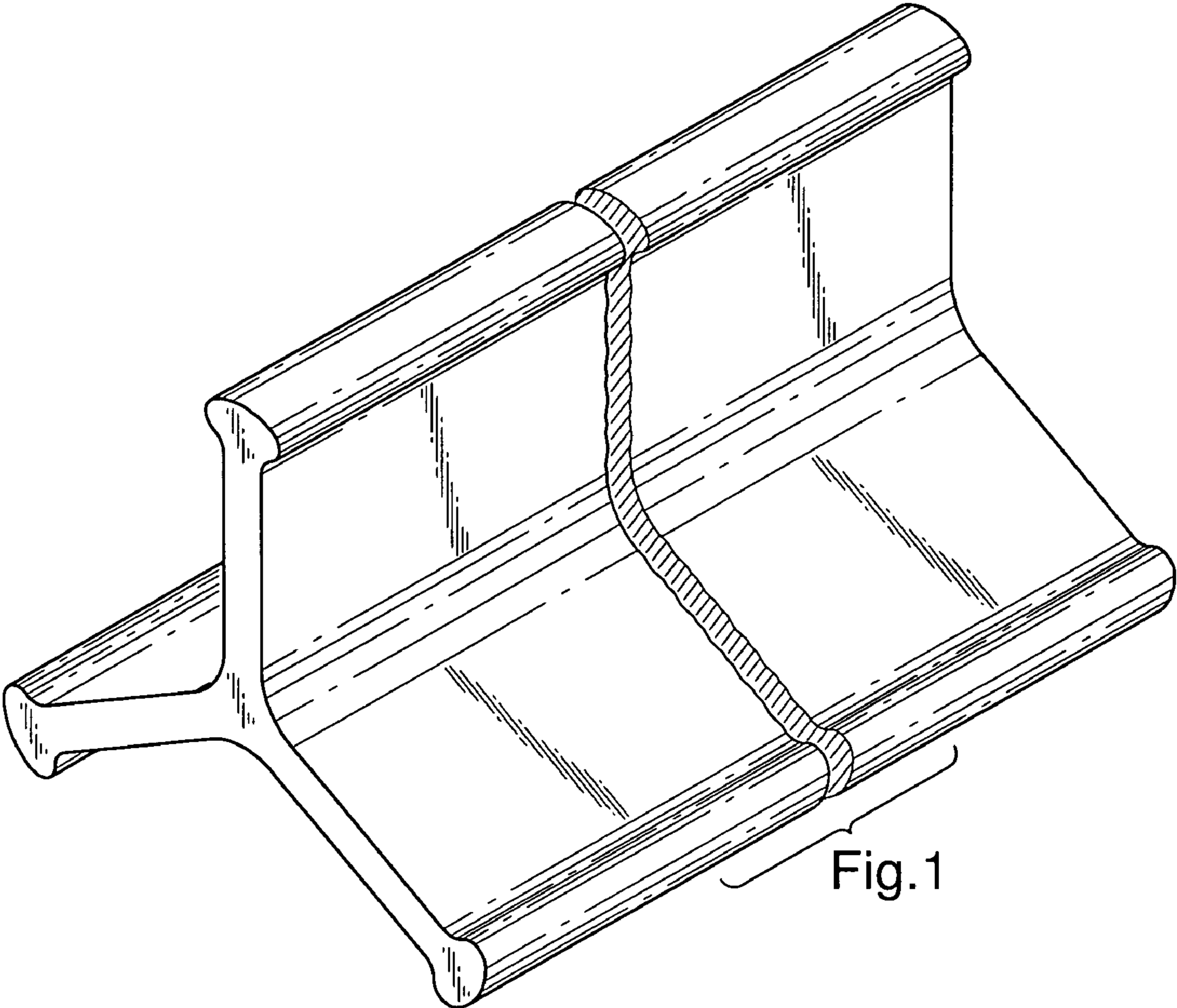


Fig. 1

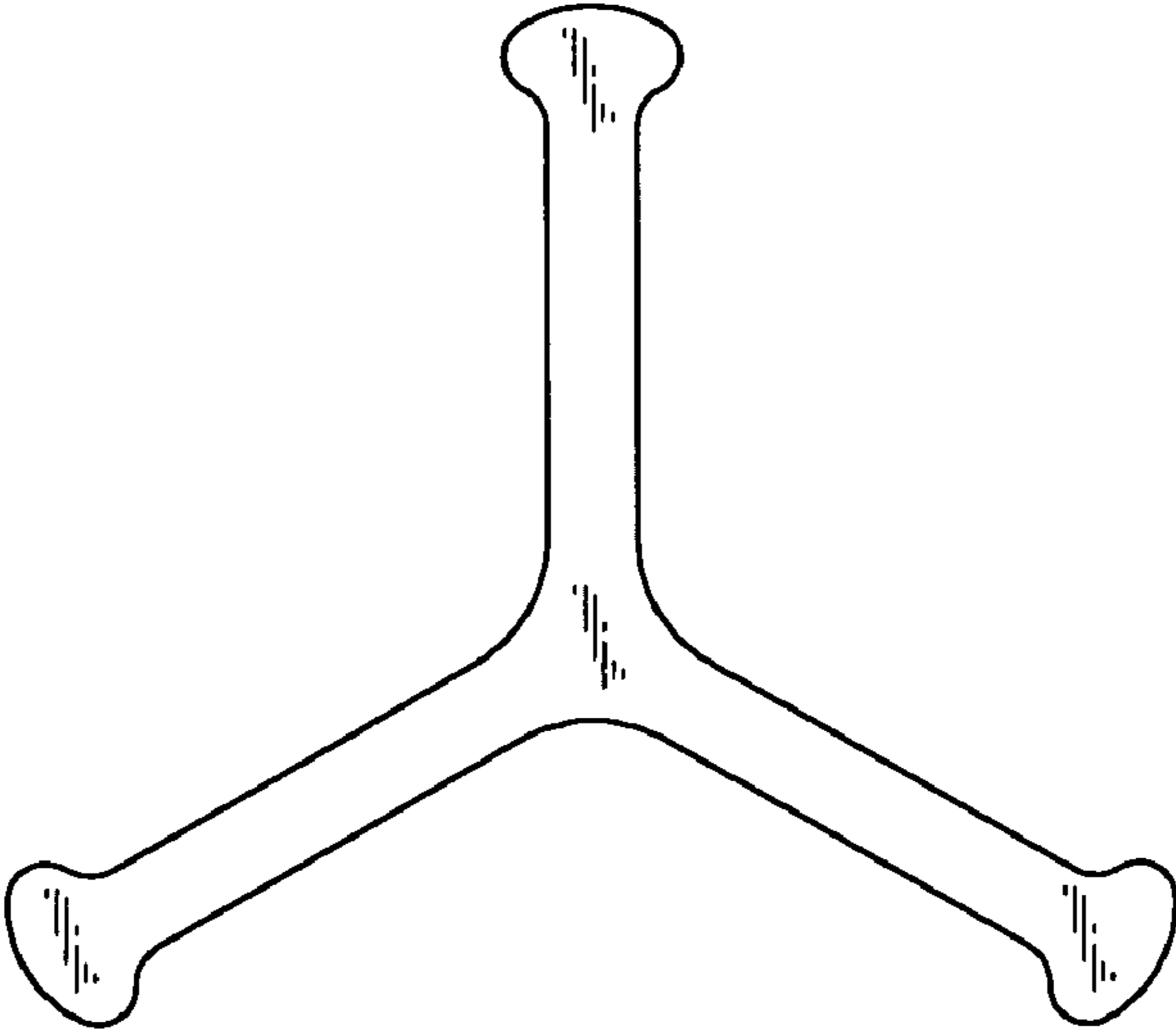


Fig. 2