



US00D621248S

(12) **United States Design Patent**
Heindl

(10) **Patent No.:** **US D621,248 S**

(45) **Date of Patent:** **** Aug. 10, 2010**

(54) **WOF-45° SHEET PILE CONNECTING ELEMENT**

(75) Inventor: **Richard Heindl**, Munich (DE)

(73) Assignee: **Pilepro, LLC**, Rapid City, SD (US)

(**) Term: **14 Years**

(21) Appl. No.: **29/316,024**

(22) Filed: **Aug. 17, 2009**

(51) **LOC (9) Cl.** **08-08**

(52) **U.S. Cl.** **D8/382**

(58) **Field of Classification Search** D8/382,
D8/394, 395; D25/119, 61; 405/279, 278;
24/573.09, 346, 370

See application file for complete search history.

(56) **References Cited**

U.S. PATENT DOCUMENTS

1,032,109	A *	7/1912	Buckingham	405/279
3,688,508	A *	9/1972	Taylor	405/278
D464,738	S *	10/2002	Wall	D25/61
D465,288	S *	11/2002	Wall	D25/61
D465,580	S *	11/2002	Wall	D25/61
D472,455	S *	4/2003	Wall	D8/382
D517,905	S *	3/2006	Wall	D8/382
D521,365	S *	5/2006	Wall	D8/382
D526,888	S *	8/2006	Heindl	D8/382
D527,248	S *	8/2006	Heindl et al.	D8/382
D530,190	S *	10/2006	Wall	D8/382
D540,660	S *	4/2007	Heindl	D8/382
D540,661	S *	4/2007	Heindl	D8/382
D541,638	S *	5/2007	Heindl	D8/382
D541,639	S *	5/2007	Heindl	D8/382

D541,640	S *	5/2007	Heindl	D8/382
D542,633	S *	5/2007	Heindl	D8/382
D542,634	S *	5/2007	Heindl	D8/382
D542,635	S *	5/2007	Heindl	D8/382
D542,636	S *	5/2007	Heindl	D8/382
D542,637	S *	5/2007	Heindl	D8/382
D542,638	S *	5/2007	Heindl	D8/382
D542,639	S *	5/2007	Heindl	D8/382
D542,640	S *	5/2007	Heindl	D8/382
D542,641	S *	5/2007	Heindl	D8/382
D543,100	S *	5/2007	Heindl	D8/382
D543,841	S *	6/2007	Heindl et al.	D8/382
7,390,145	B2 *	6/2008	Wall	405/278
D579,578	S *	10/2008	Chaney et al.	D25/119
2007/0003379	A1 *	1/2007	Wall	405/279
2008/0219776	A1 *	9/2008	Heindl et al.	405/279
2008/0310924	A1 *	12/2008	Heindl	405/279

* cited by examiner

Primary Examiner—Holly H Baynham

Assistant Examiner—Sheryl Lane

(74) *Attorney, Agent, or Firm*—Karl F. Milde, Jr.; Eckert
Seamans Cherin & Mellott, LLC

(57) **CLAIM**

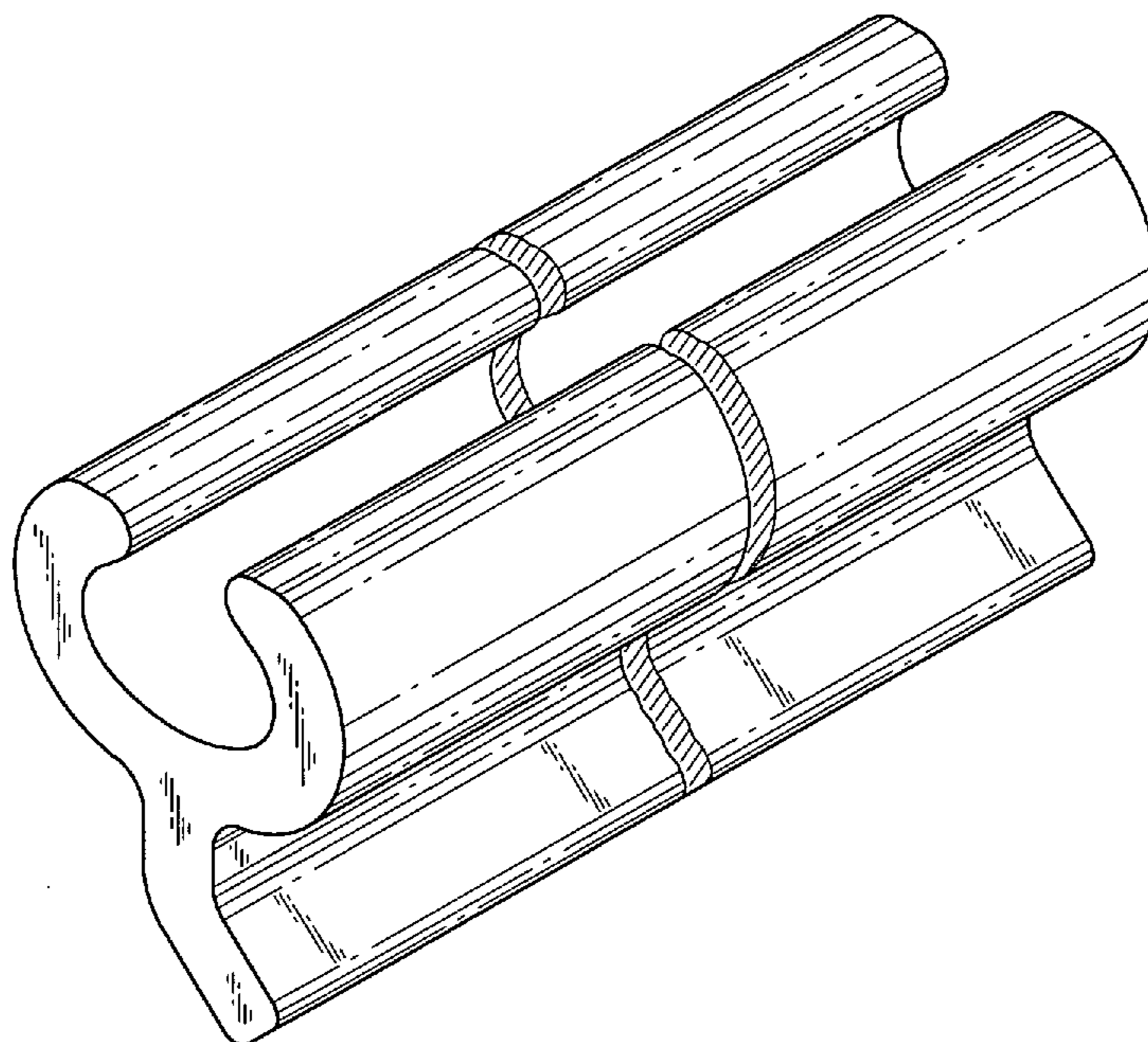
The ornamental design for a WOF-45° sheet pile connecting element, as shown and described.

DESCRIPTION

FIG. 1 is a perspective view of the WOF-45° sheet pile connecting element according to my design. The connecting element is shown broken away in the middle to indicate the connector has no specific length; and,

FIG. 2 a front view of the connecting element of FIG. 1.

1 Claim, 1 Drawing Sheet



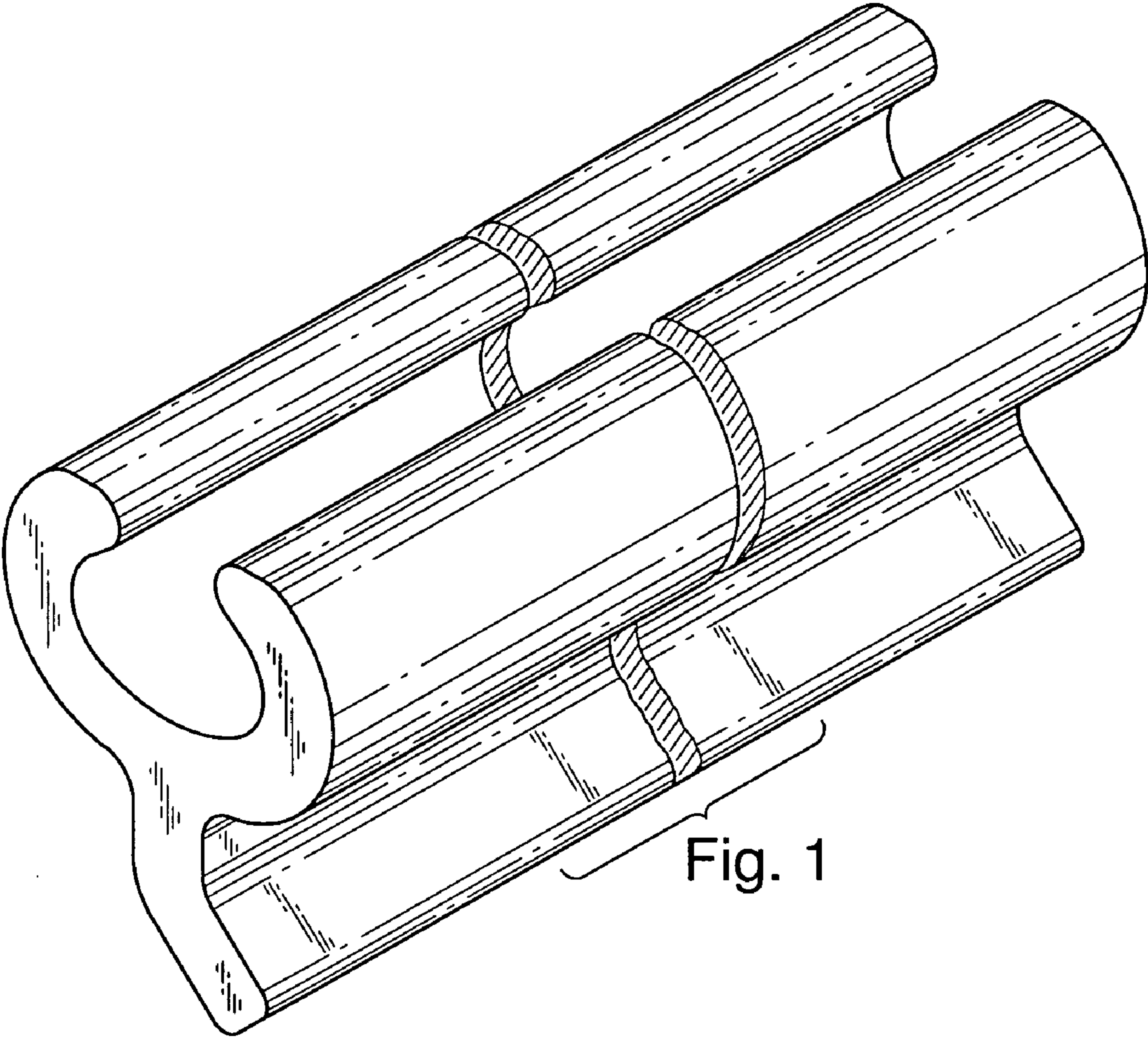


Fig. 1

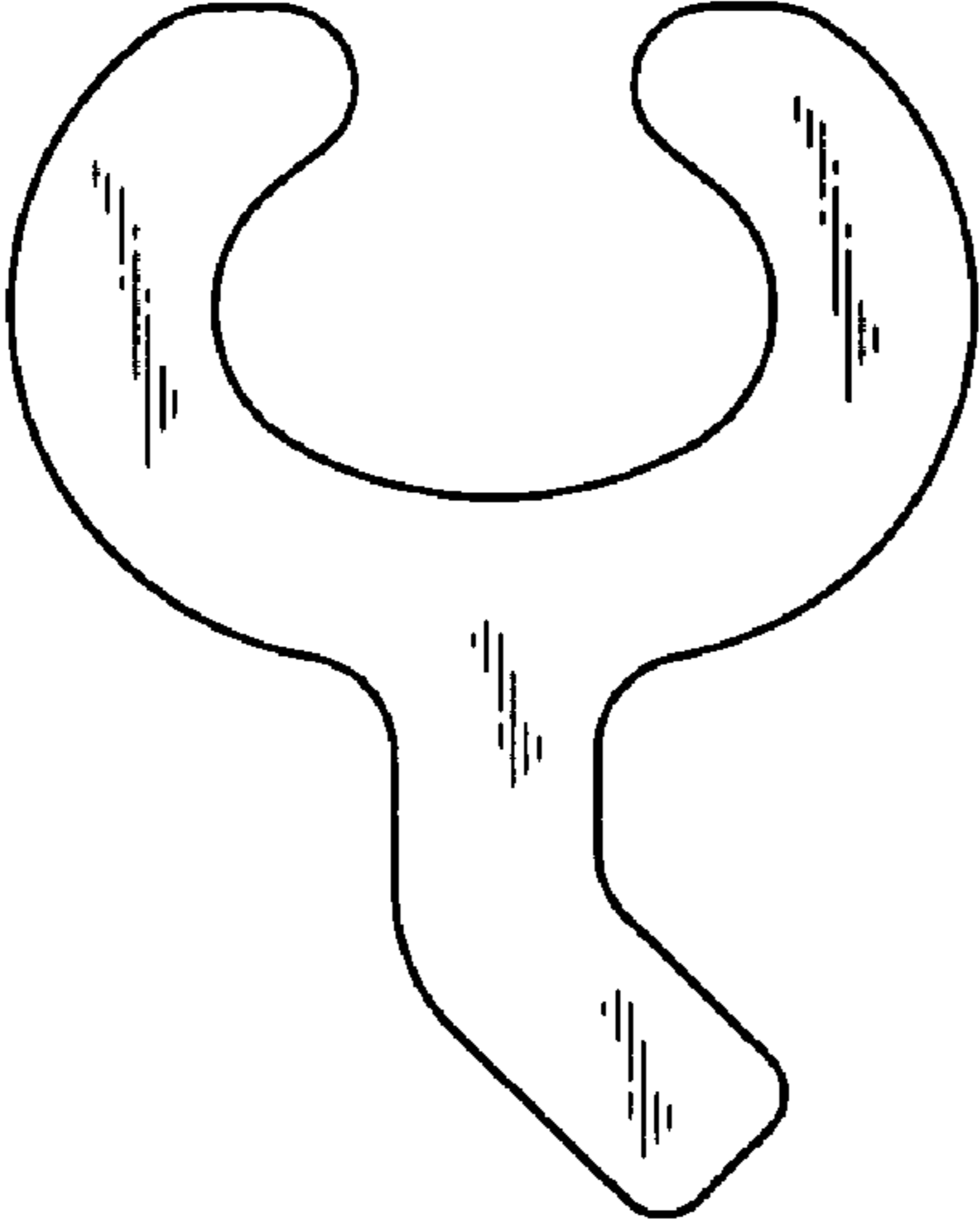


Fig. 2