



US00D621247S

(12) **United States Design Patent**
Heindl

(10) **Patent No.:** **US D621,247 S**

(45) **Date of Patent:** **** Aug. 10, 2010**

(54) **WOM-45° SHEET PILE CONNECTING
ELEMENT**

D579,578 S * 10/2008 Chaney et al. D25/119

(75) Inventor: **Richard Heindl**, Munich (DE)

* cited by examiner

(73) Assignee: **Pilepro, LLC**, Rapid City, SD (US)

Primary Examiner—Holly H Baynham

Assistant Examiner—Sheryl Lane

(**) Term: **14 Years**

(74) *Attorney, Agent, or Firm*—Karl F. Milde, Jr.; Eckert
Seamans Cherin & Mellott, LLC

(21) Appl. No.: **29/316,023**

(57) **CLAIM**

(22) Filed: **Aug. 17, 2009**

The ornamental design for a WOM-45° sheet pile connecting
element, as shown and described.

(51) **LOC (9) Cl.** **08-08**

(52) **U.S. Cl.** **D8/382**

(58) **Field of Classification Search** D8/382,
D8/394, 395; D25/119, 61; 405/279, 278;
24/573.09, 346, 370

DESCRIPTION

See application file for complete search history.

FIG. 1 is a perspective view of the connecting element for
sheet piles according to my design. The connecting element is
shown broken away in the middle to indicate the connector
has no specific length; and,

FIG. 2 a front view of the connecting element of FIG. 1.

(56) **References Cited**

The design relates to a connector to be welded on a sheet pile
wall component as interlock for other sheet pile components,
wherein the connector varies in its axial length depending
from its intended use.

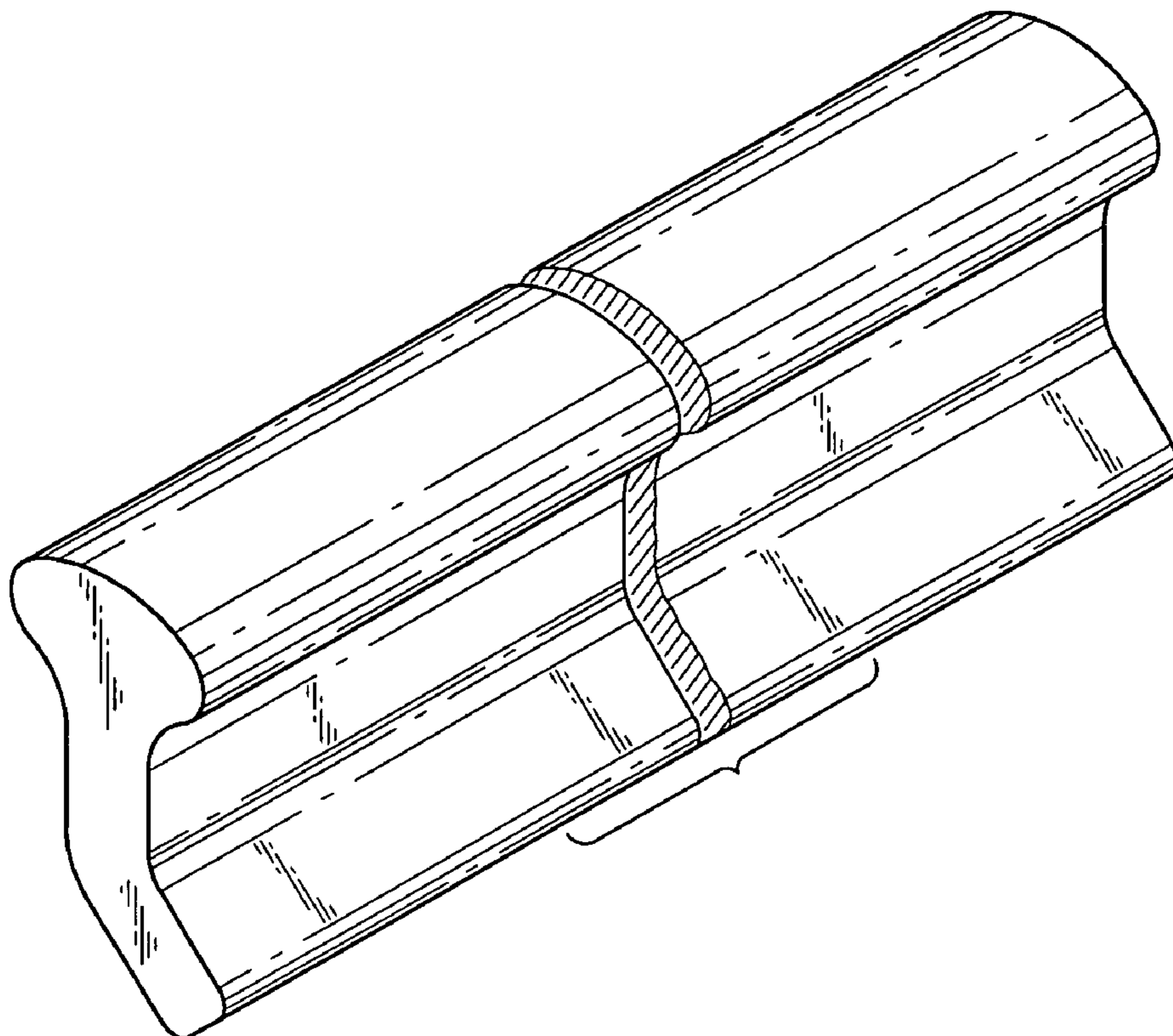
U.S. PATENT DOCUMENTS

D331,188 S * 11/1992 Stolk D8/394

D464,738 S * 10/2002 Wall D25/61

D530,190 S * 10/2006 Wall D8/382

1 Claim, 1 Drawing Sheet



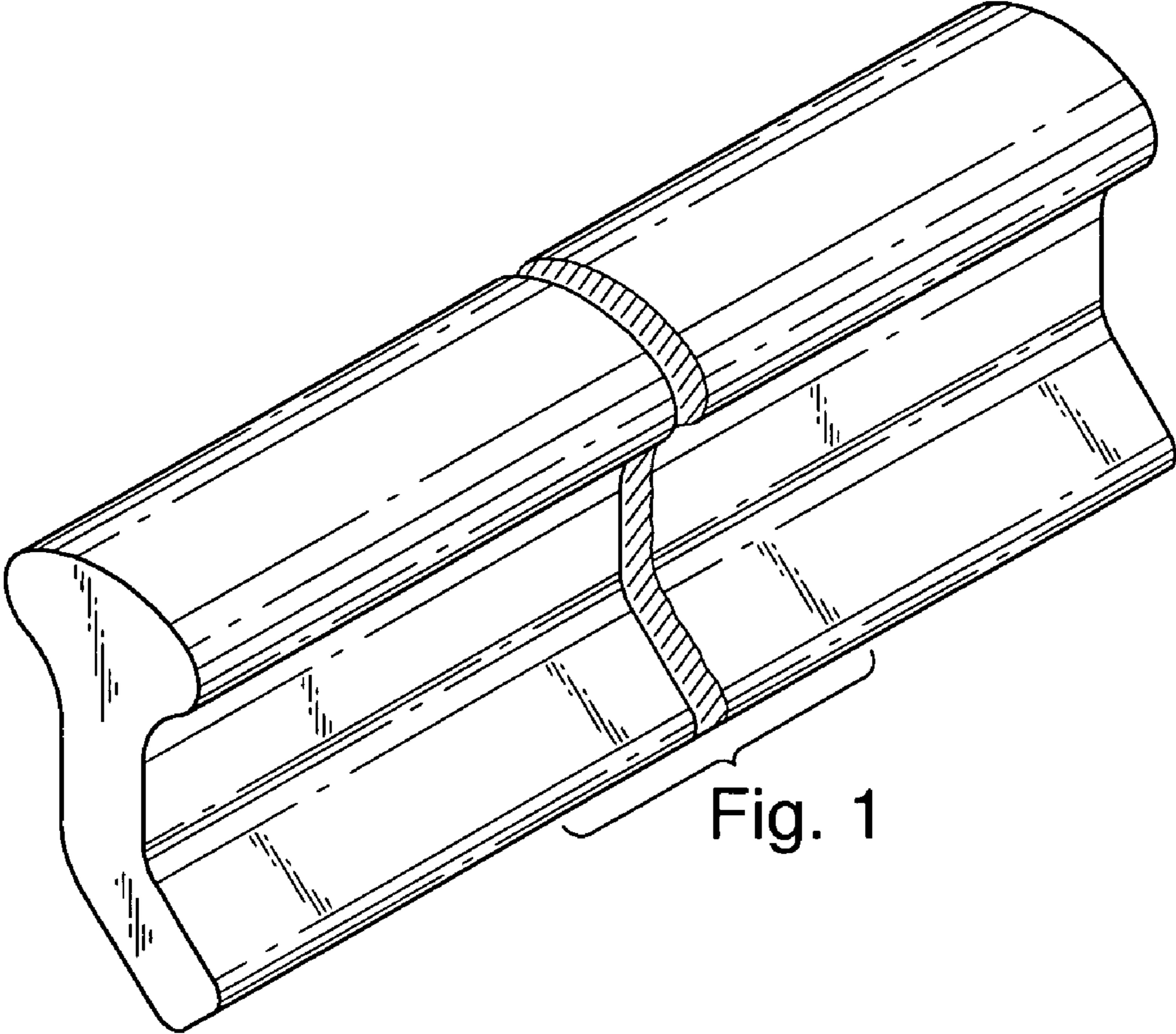


Fig. 1

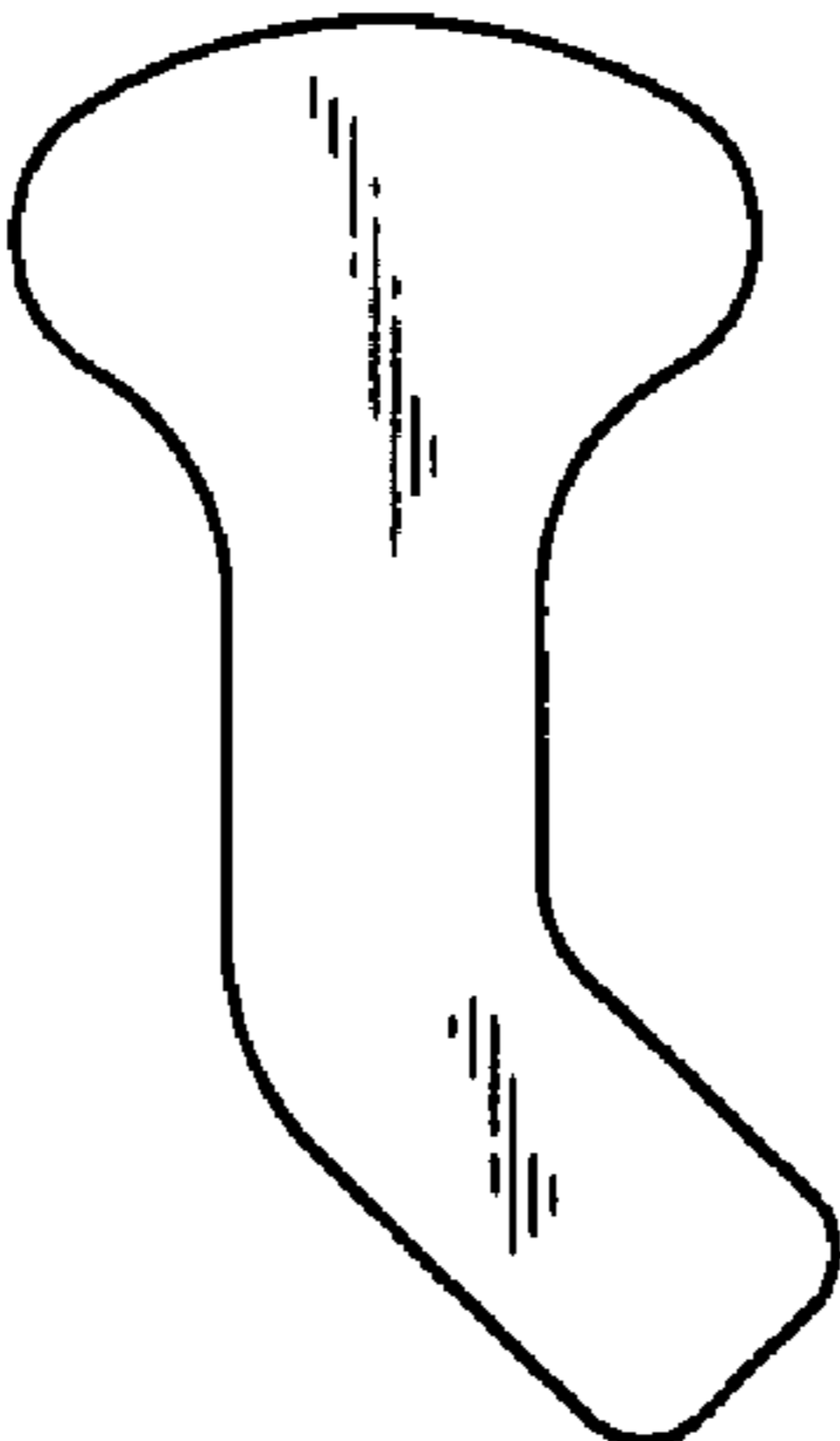


Fig. 2