



US00D621246S

(12) **United States Design Patent**
Heindl

(10) **Patent No.:** **US D621,246 S**

(45) **Date of Patent:** **** Aug. 10, 2010**

(54) **UMHW T-MOUNT SHEET PILE
CONNECTING ELEMENT**

D331,188 S * 11/1992 Stolk D8/394
D464,738 S * 10/2002 Wall D25/61
D522,147 S * 5/2006 Morton et al. D25/119
D579,578 S * 10/2008 Chaney et al. D25/119

(75) Inventor: **Richard Heindl**, Munich (DE)

* cited by examiner

(73) Assignee: **Pilepro, LLC**, Rapid City, SD (US)

Primary Examiner—Holly H Baynham

(**) Term: **14 Years**

Assistant Examiner—Sheryl Lane

(21) Appl. No.: **29/316,022**

(74) *Attorney, Agent, or Firm*—Karl F. Milde, Jr.; Eckert
Seamans Cherin & Mellott, LLC

(22) Filed: **Aug. 17, 2009**

(57) **CLAIM**

(51) **LOC (9) Cl.** **08-08**

The ornamental design for a UMHW T-mount sheet pile
connecting element, as shown and described.

(52) **U.S. Cl.** **D8/382**

(58) **Field of Classification Search** D8/382,
D8/394, 395; D25/119, 61; 405/279, 278;
24/573.09, 346, 370

DESCRIPTION

See application file for complete search history.

FIG. 1 is a perspective view of the connecting element for
sheet piles according to my design. The connecting element is
shown broken away in the middle to indicate the connector
has no specific length; and,

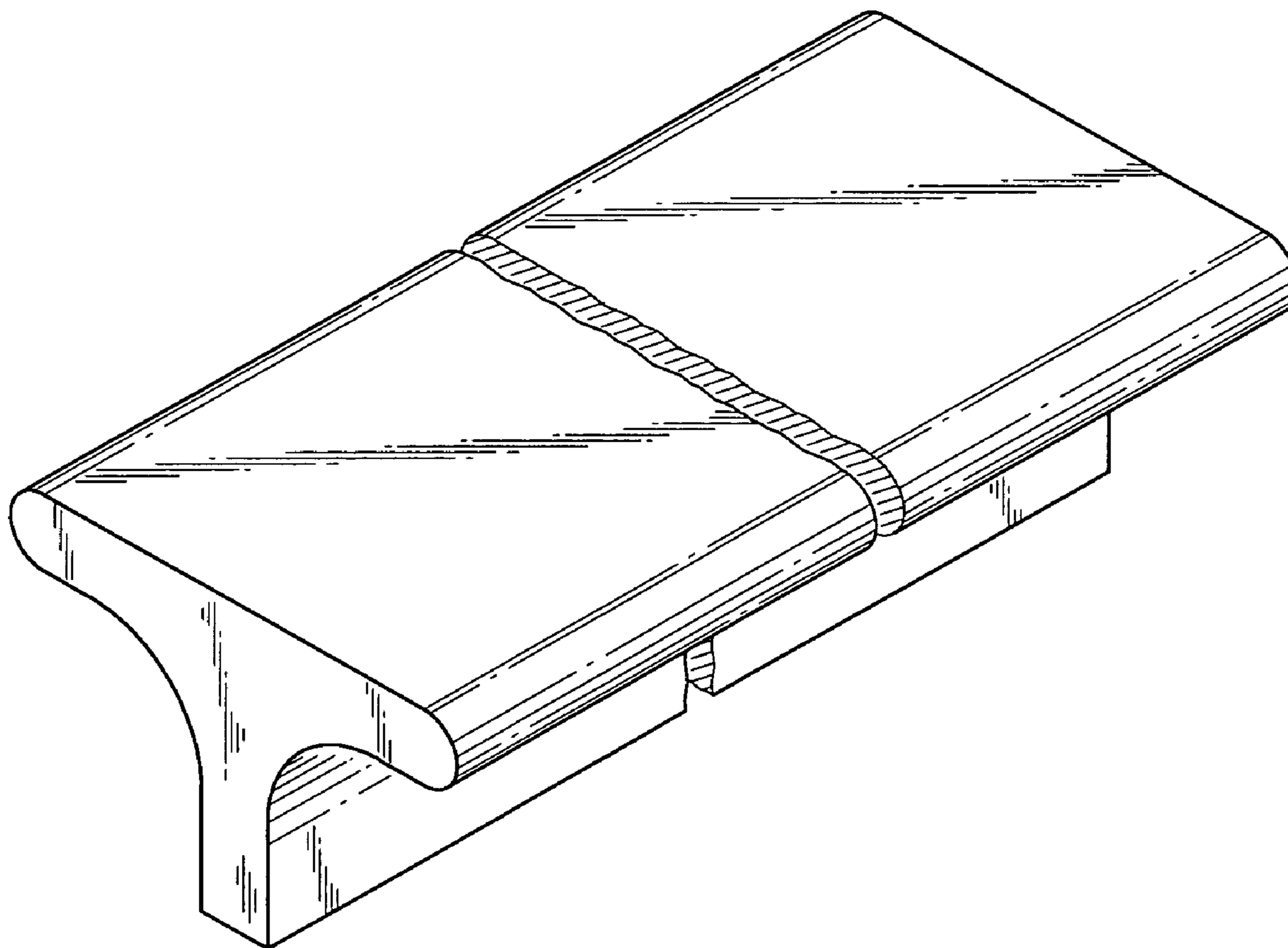
(56) **References Cited**

FIG. 2 a front view of the UMHW T-mount sheet pile con-
necting element of FIG. 1.

U.S. PATENT DOCUMENTS

D176,582 S * 1/1956 Bacon D6/509
D246,889 S * 1/1978 Eckerline D8/382
D309,343 S * 7/1990 Koza et al. D23/269

1 Claim, 1 Drawing Sheet



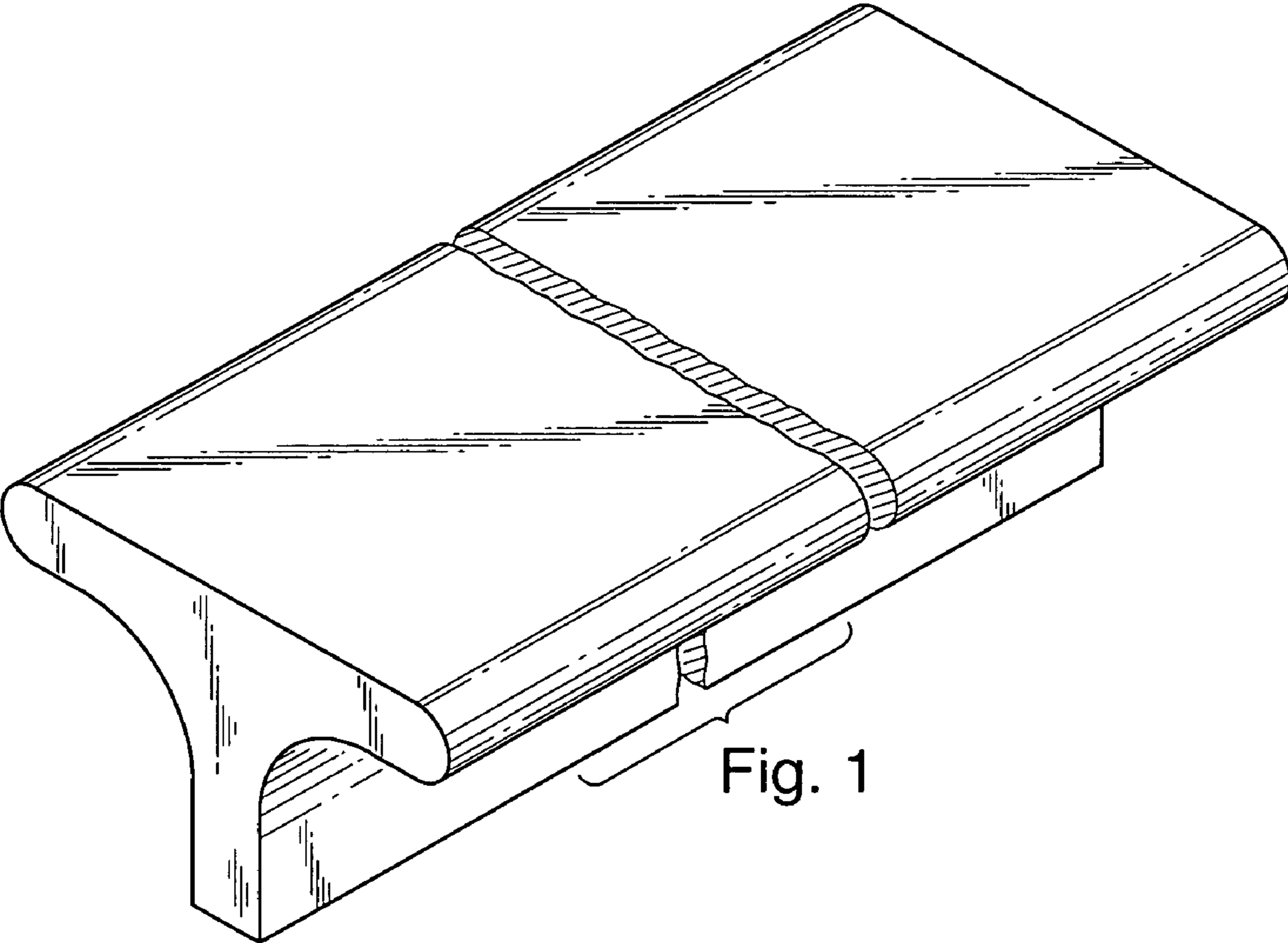


Fig. 1

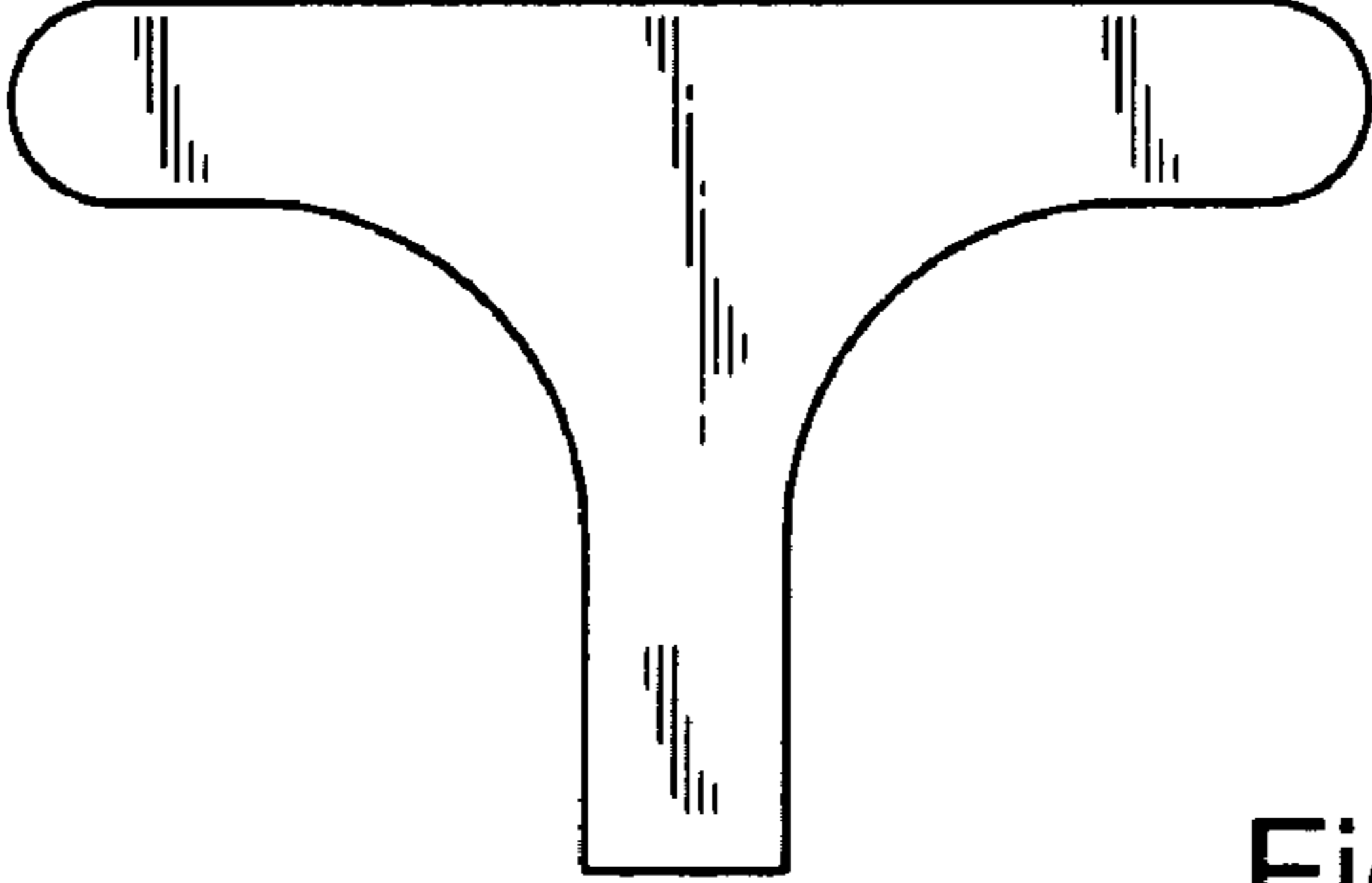


Fig. 2