



US00D621245S

(12) **United States Design Patent**
Heindl

(10) **Patent No.:** **US D621,245 S**

(45) **Date of Patent:** **** Aug. 10, 2010**

(54) **UMHW T-MOUNT NEW SHEET PILE
CONNECTING ELEMENT**

(75) Inventor: **Richard Heindl**, Munich (DE)

(73) Assignee: **Pilepro, LLC**, Rapid City, SD (US)

(**) Term: **14 Years**

(21) Appl. No.: **29/316,021**

(22) Filed: **Aug. 17, 2009**

(51) **LOC (9) Cl.** **08-08**

(52) **U.S. Cl.** **D8/382**

(58) **Field of Classification Search** D8/382,
D8/394, 395; D25/119, 61; 405/279, 278;
24/573.09, 346, 370

See application file for complete search history.

(56) **References Cited**

U.S. PATENT DOCUMENTS

D176,582 S * 1/1956 Bacon D6/509
D246,889 S * 1/1978 Eckerline D8/382

D309,343 S * 7/1990 Koza et al. D23/269

D331,188 S * 11/1992 Stolk D8/394

D464,738 S * 10/2002 Wall D25/61

D522,147 S * 5/2006 Morton et al. D25/119

D579,578 S * 10/2008 Chaney et al. D25/119

* cited by examiner

Primary Examiner—Holly H Baynham

Assistant Examiner—Sheryl Lane

(74) *Attorney, Agent, or Firm*—Karl F. Milde, Jr.; Eckert
Seamans Cherin & Mellott, LLC

(57) **CLAIM**

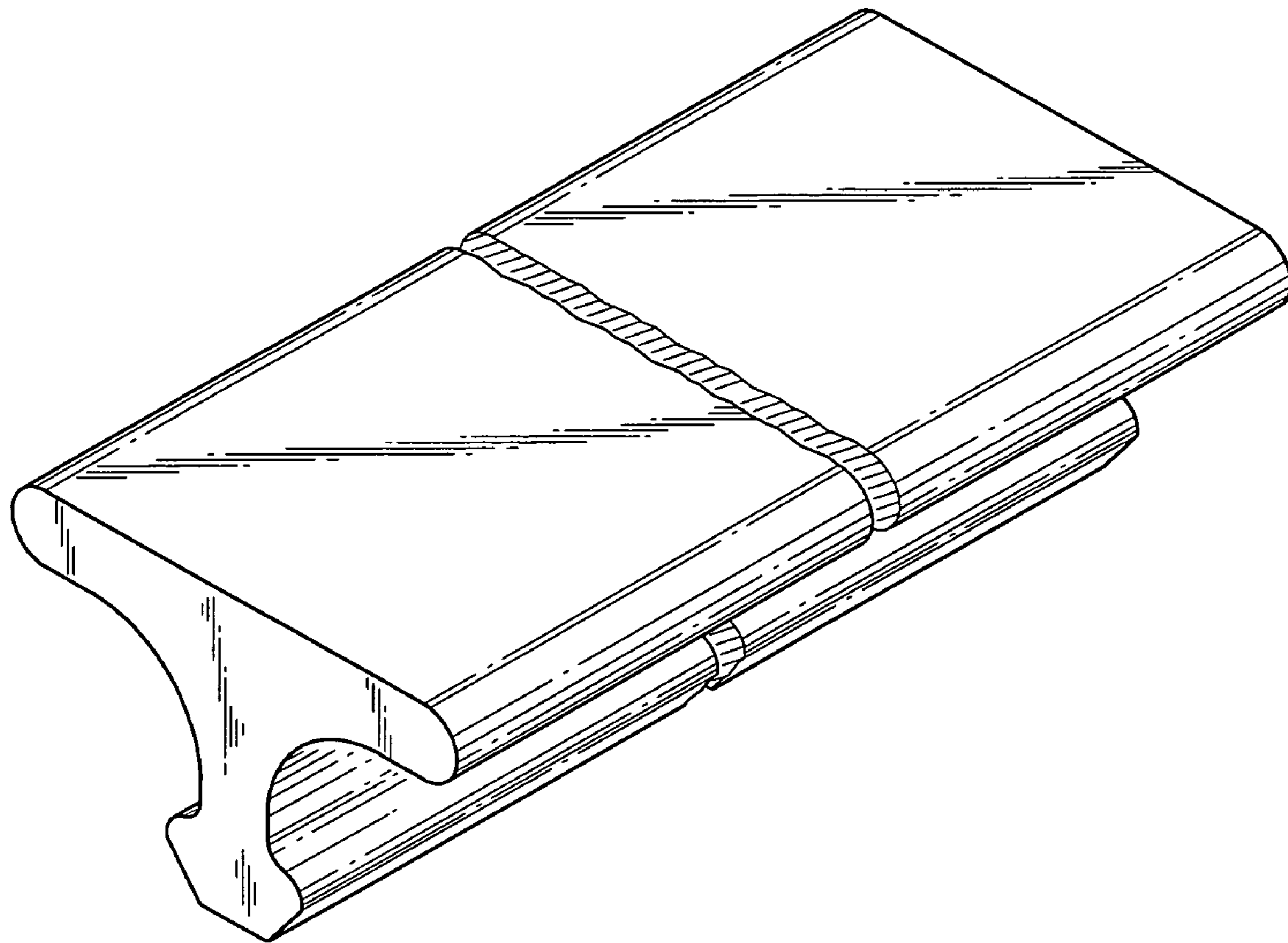
The ornamental design for a UMHW T-mount new sheet pile
connecting element, as shown and described.

DESCRIPTION

FIG. 1 is a perspective view of the UMHW T-mount new sheet
pile connecting element according to my design. The con-
necting element is shown broken away in the middle to indi-
cate the connector has no specific length; and,

FIG. 2 a front view of the connecting element of FIG. 1.

1 Claim, 1 Drawing Sheet



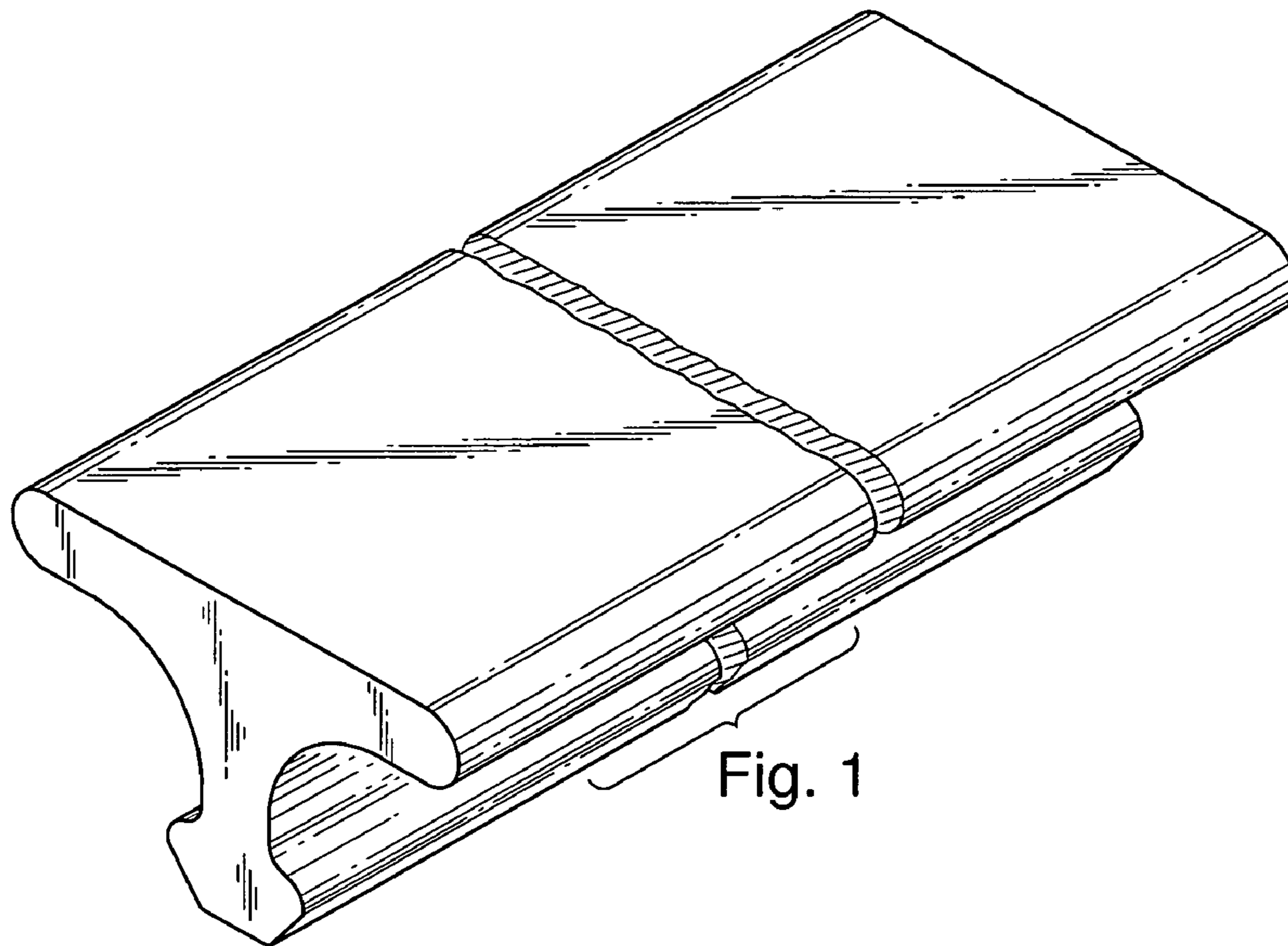


Fig. 1

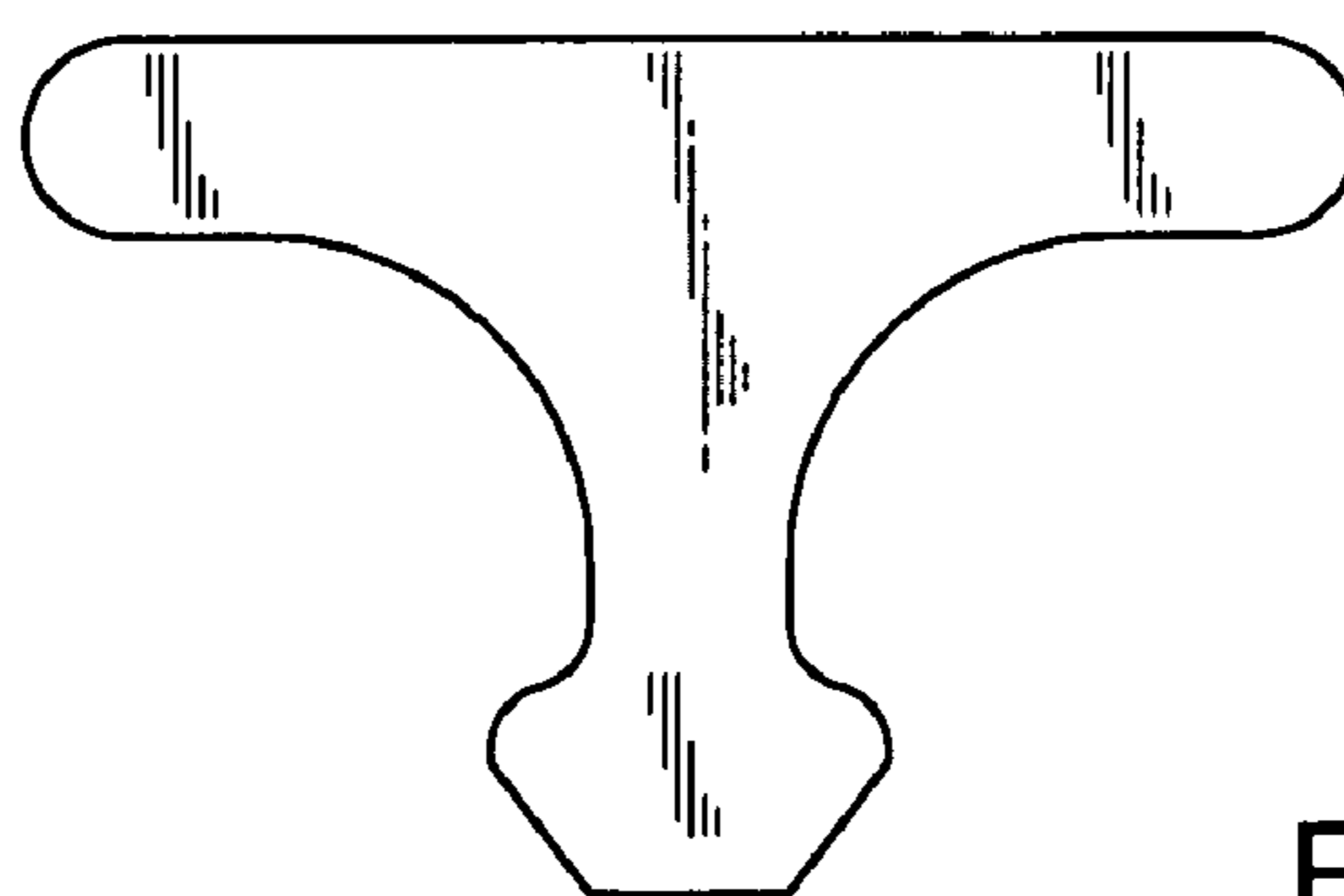


Fig. 2