



US00D621243S

(12) **United States Design Patent**
Hill

(10) **Patent No.:** **US D621,243 S**

(45) **Date of Patent:** **** Aug. 10, 2010**

(54) **HANGER FOR AN ORNAMENTAL WREATH**

(76) Inventor: **Valerie P. Hill**, 17 Lenape Dr.,
Montville, NJ (US) 07045

(**) Term: **14 Years**

(21) Appl. No.: **29/311,839**

(22) Filed: **Jul. 8, 2009**

(51) **LOC (9) Cl.** **08-01**

(52) **U.S. Cl.** **D8/373**

(58) **Field of Classification Search** D6/513-514,
D6/553; D8/373, 367; 248/301, 304, 307,
248/309.1; 211/13.1

See application file for complete search history.

(56) **References Cited**

U.S. PATENT DOCUMENTS

D338,048 S *	8/1993	Finley	D6/513
D348,165 S *	6/1994	Walaski	D6/513
D365,015 S *	12/1995	Avinger	D8/373
D420,842 S *	2/2000	Thurston-Chartraw	D6/513
6,311,851 B1 *	11/2001	Knudsen et al.	211/13.1
D466,396 S *	12/2002	Snell	D6/513
6,857,608 B2 *	2/2005	Avinger	248/307
D549,083 S *	8/2007	Barnett et al.	D8/373
D551,952 S *	10/2007	Palmer	D8/373
D576,435 S *	9/2008	Snell	D6/513
D609,080 S *	2/2010	Schorn	D8/373

* cited by examiner

Primary Examiner—Brian N Vinson

(74) *Attorney, Agent, or Firm*—Fitzpatrick, Cella, Harper & Scinto

(57) **CLAIM**

The ornamental design for a hanger for an ornamental wreath, as shown and described.

DESCRIPTION

FIG. 1 is a front elevational view of the hanger for an ornamental wreath in accordance with the present invention, with such a wreath and a typical environment in which the wreath is supported by the hanger shown in phantom lines.

FIG. 2 is a perspective view of the hanger for an ornamental wreath, shown in FIG. 1, taken from the front and right side.

FIG. 3 is a right side elevational view of the hanger for an ornamental wreath as shown in FIG. 1.

FIG. 4 is a left side elevational view of the hanger for an ornamental wreath as shown in FIG. 1.

FIG. 5 is a front elevational view of the hanger for an ornamental wreath as shown in FIG. 1.

FIG. 6 is a rear elevational view of the hanger for an ornamental wreath as shown in FIG. 1.

FIG. 7 is a top plan view of the hanger for an ornamental wreath as shown in FIG. 1; and,

FIG. 8 is a bottom plan view of the hanger for an ornamental wreath as shown in FIG. 1.

1 Claim, 4 Drawing Sheets

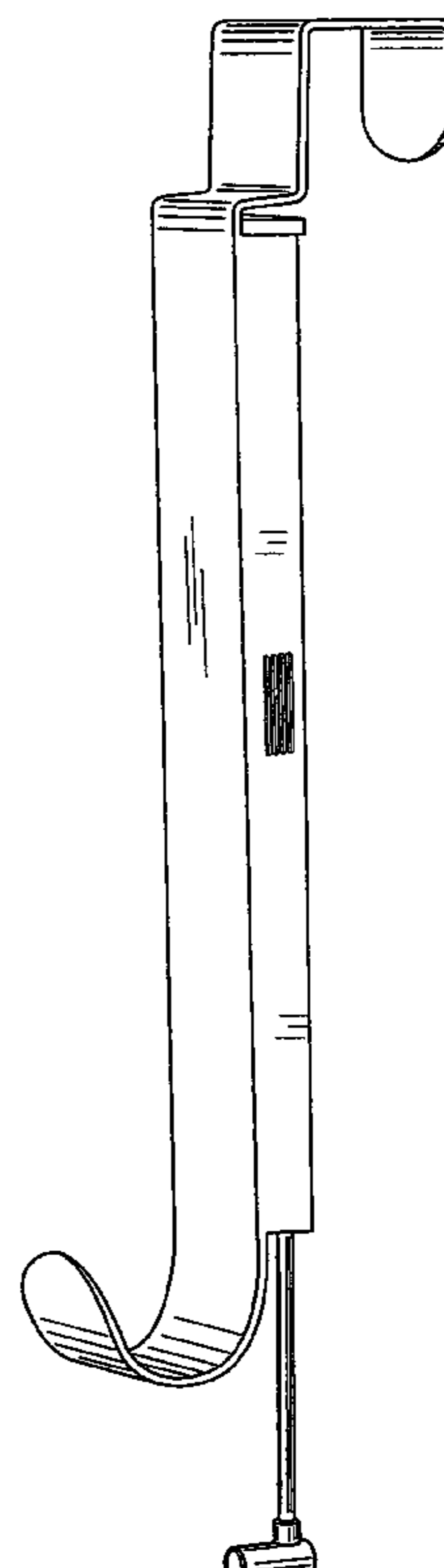
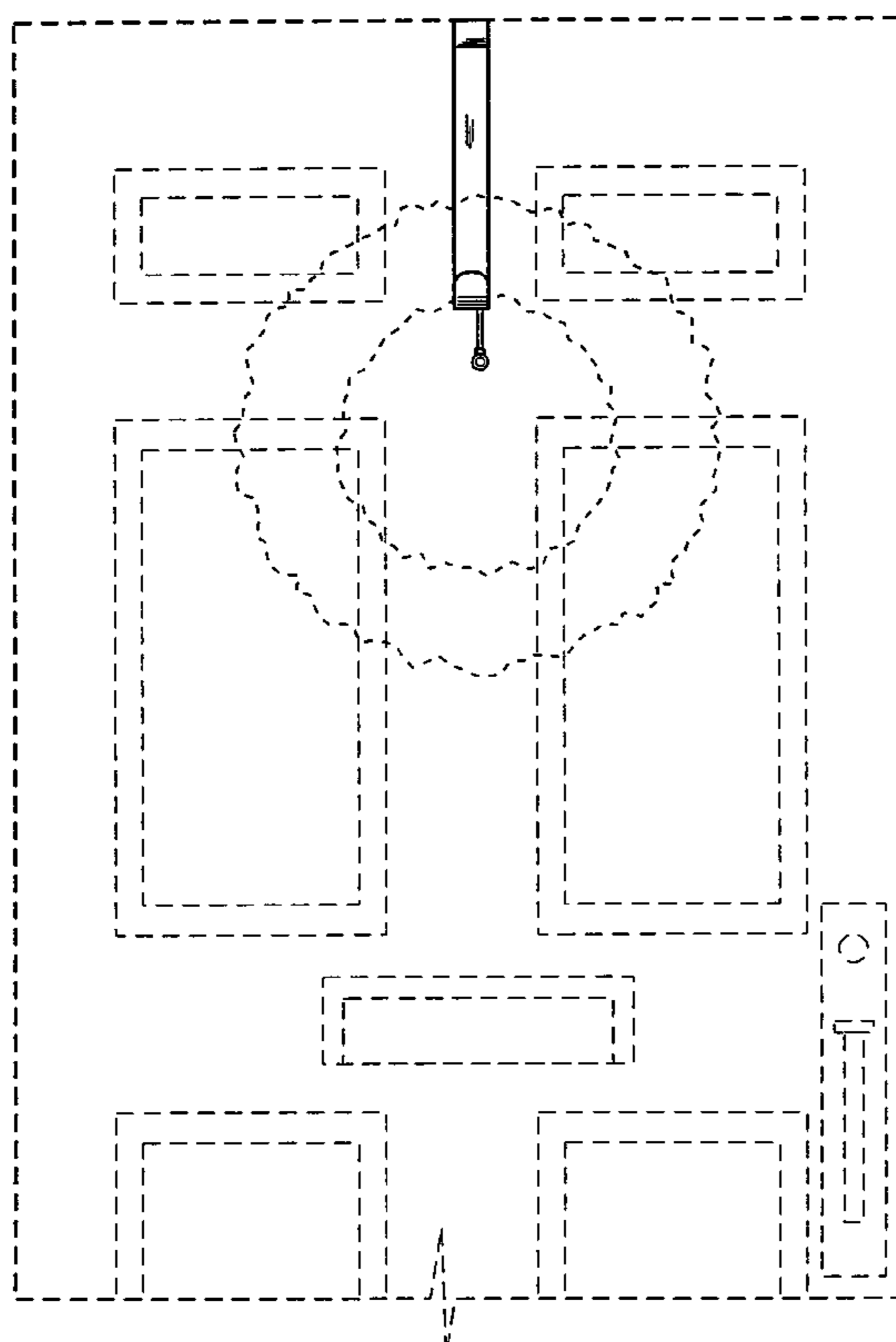


FIG. 1

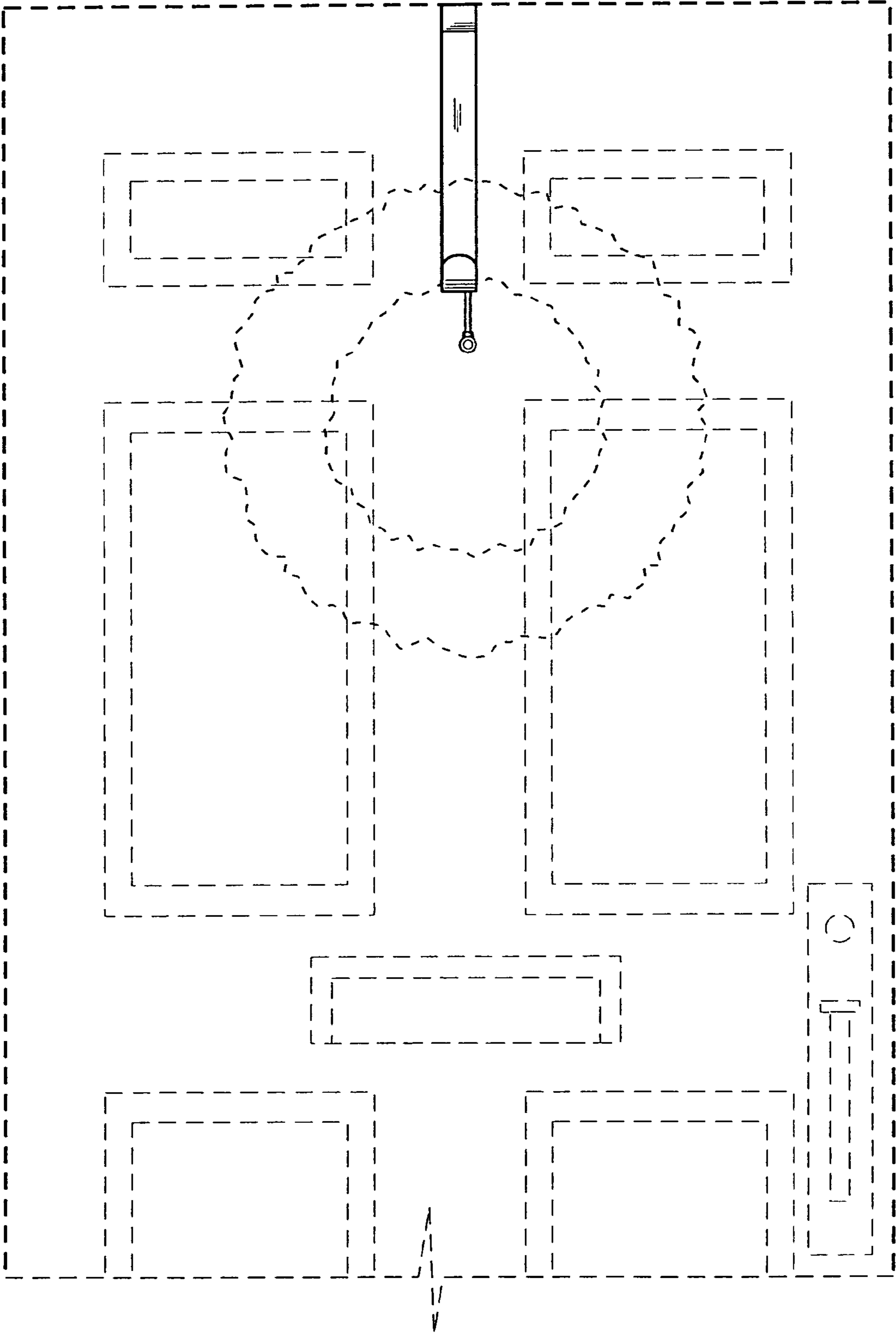


FIG. 2

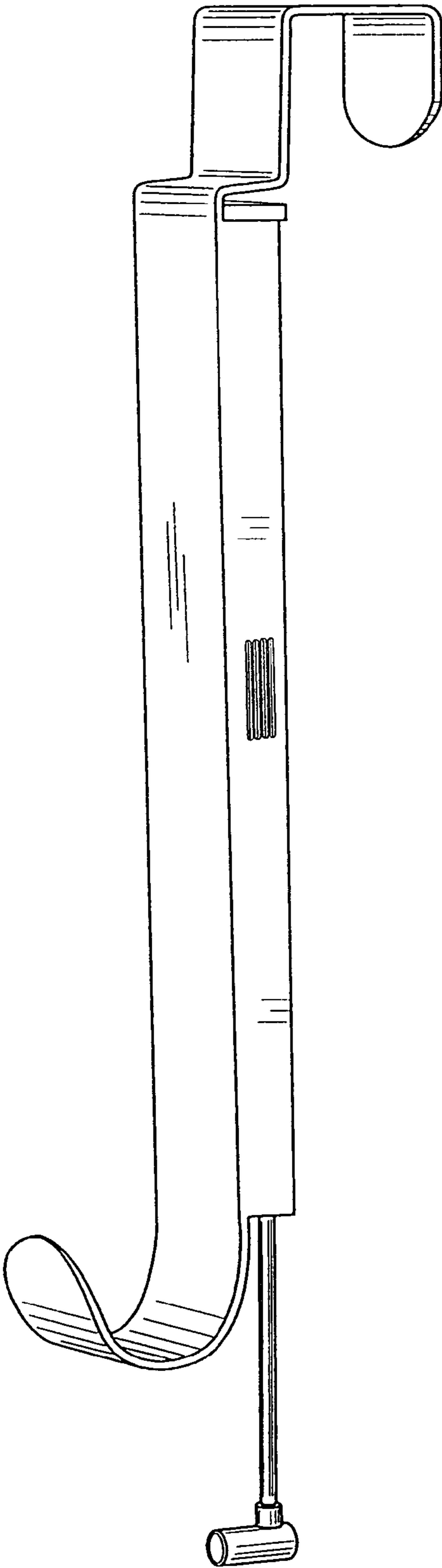


FIG. 3

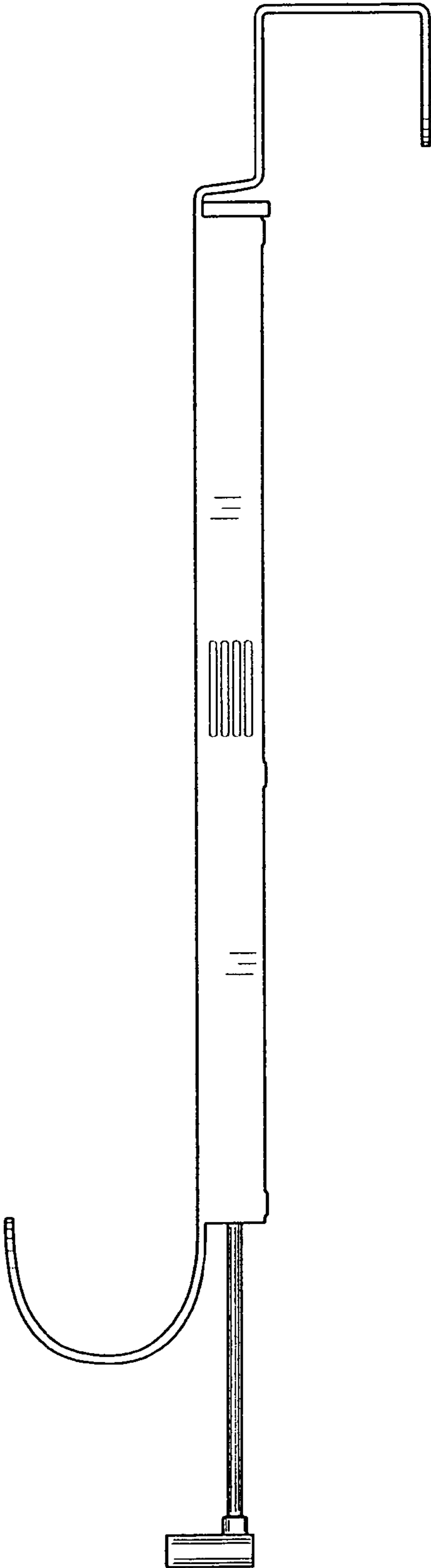


FIG. 4

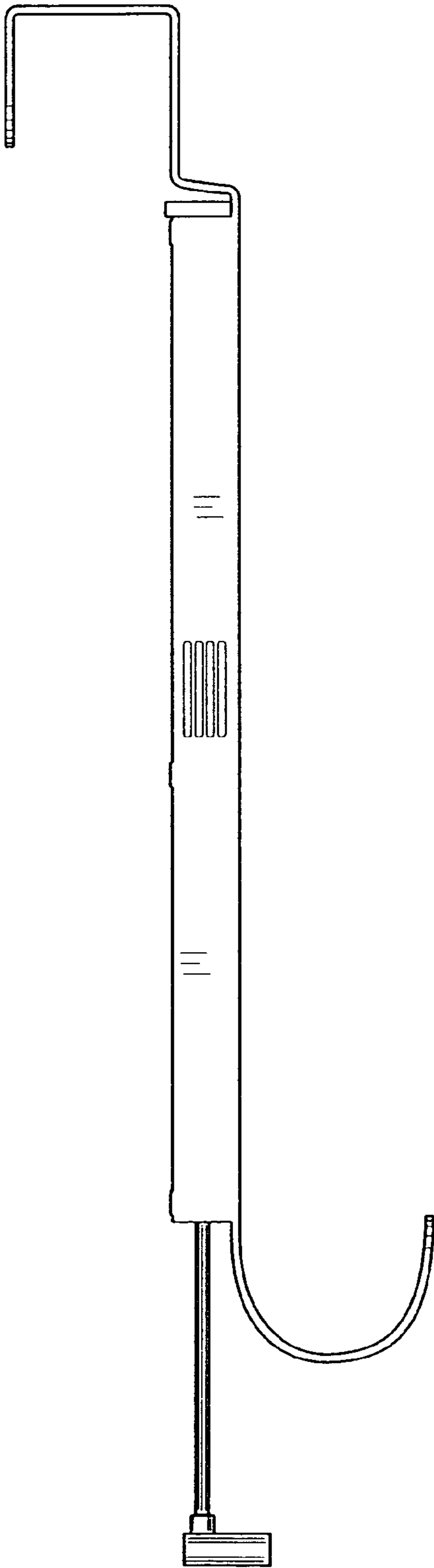


FIG. 5

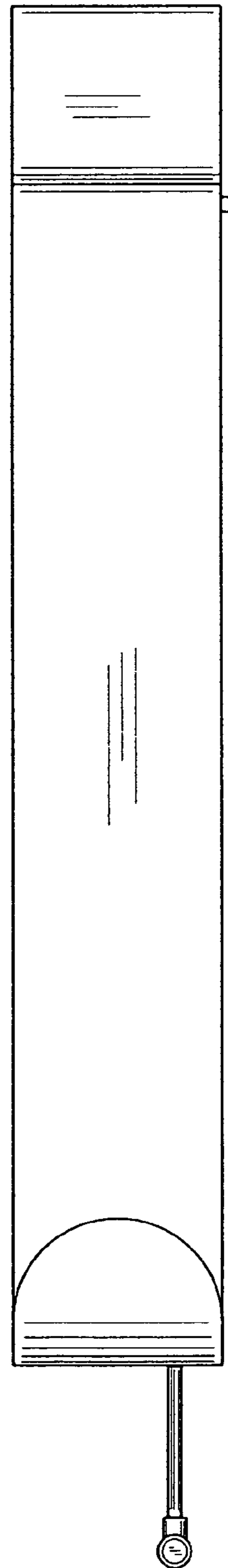


FIG. 6

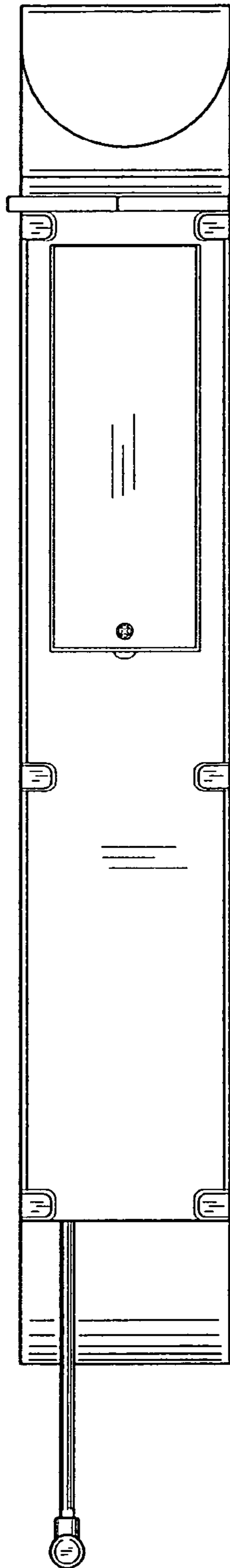


FIG. 7

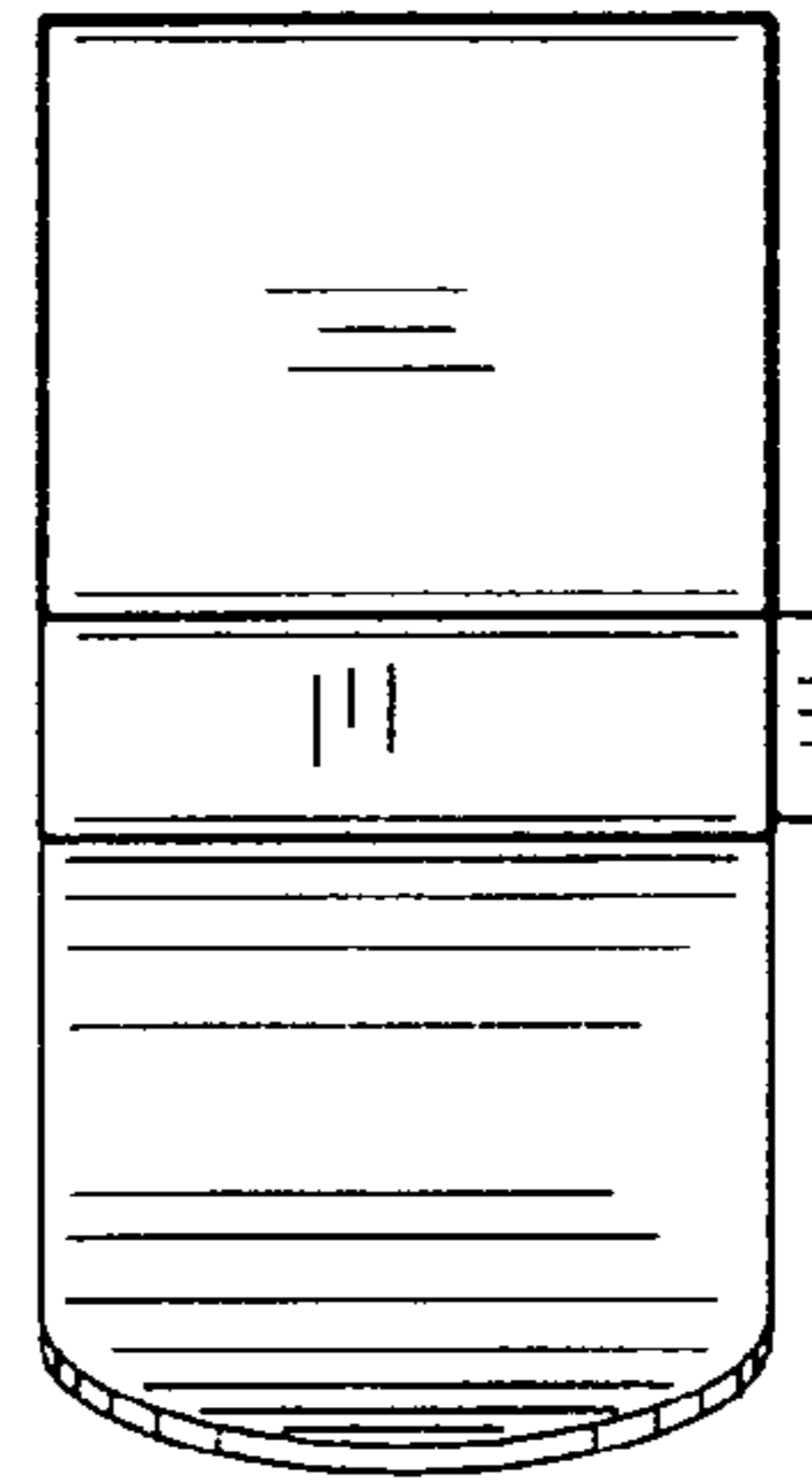


FIG. 8

