



US00D621241S

(12) **United States Design Patent**
Mirer et al.

(10) **Patent No.:** **US D621,241 S**

(45) **Date of Patent:** **** Aug. 10, 2010**

(54) **CLIP FOR A CEILING SLOT GRID**

(76) Inventors: **Josef Mirer**, 33 Sylvan Ave., Riverdale, NY (US) 10471; **Ognjen Pavic**, 319 Congress St., Saddle Brook, NJ (US) 07763; **Cristian A. Cerna**, 87 S. Bicycle Path, Selden, NY (US) 11784

(**) Term: **14 Years**

(21) Appl. No.: **29/319,874**

(22) Filed: **Jun. 17, 2008**

(51) **LOC (9) Cl.** **08-05**

(52) **U.S. Cl.** **D8/367**

(58) **Field of Classification Search** D8/323, D8/324, 363, 355, 364, 367, 368, 370, 372, D8/373, 380; 24/130, 265 H, 457, 598.5; 248/301, 304, 317, 322, 327, 339, 342, 343, 248/499; D6/323, 546; 2/367, 373; 211/104, 211/1.3

See application file for complete search history.

(56) **References Cited**

U.S. PATENT DOCUMENTS

D99,440 S *	4/1936	Levy	D6/546
D226,167 S *	1/1973	Ponte	D8/367
D241,206 S *	8/1976	Halsted	D6/323
D407,964 S *	4/1999	Roethler	D8/367
D489,251 S *	5/2004	Ay	D8/367
D516,900 S *	3/2006	Hoernig	D8/367
D517,400 S *	3/2006	Hoernig	D8/367
D590,239 S *	4/2009	Gaudron	D8/367

* cited by examiner

Primary Examiner—Robert M Spear

Assistant Examiner—Barbara B Lohr

(74) *Attorney, Agent, or Firm*—Gottlieb, Rackman & Reisman, P.C.

(57) **CLAIM**

The ornamental design for a clip for a ceiling slot grid, as shown and described.

DESCRIPTION

FIG. 1 is a front, left side and bottom perspective view showing our new design;

FIG. 2 is a top plan view thereof;

FIG. 3 is a front view thereof;

FIG. 4 is a right side view thereof;

FIG. 5 is a rear view thereof;

FIG. 6 is a bottom plan view thereof;

FIG. 7 is a perspective view of a second embodiment of a clip for a ceiling slot grid, showing our new design in use;

FIG. 8 is a top plan view thereof;

FIG. 9 is a front view thereof;

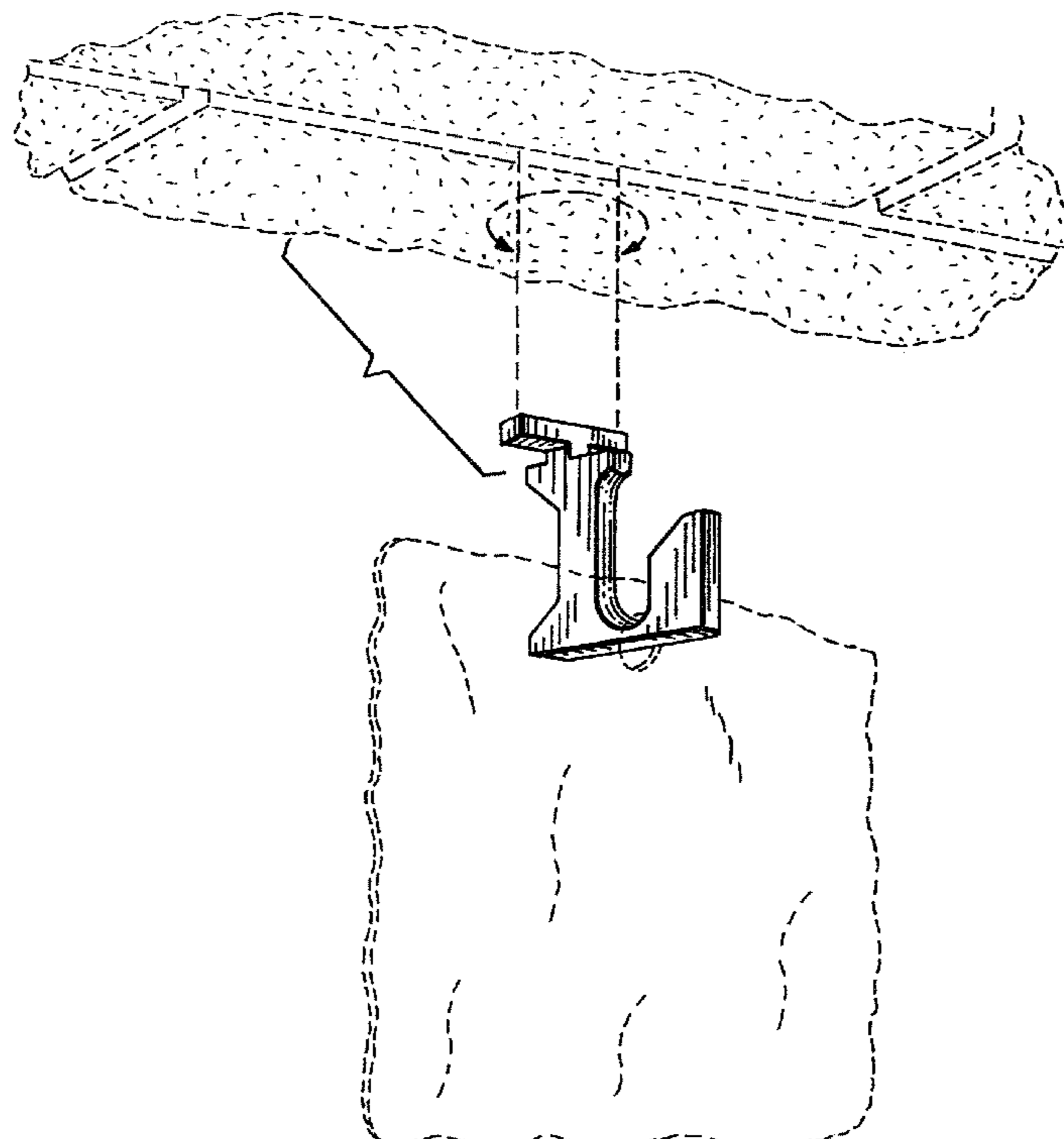
FIG. 10 is a right side view thereof;

FIG. 11 is a rear view thereof; and,

FIG. 12 is a bottom plan view thereof.

The broken line shown in FIGS. 1 and 7 are for illustrative purpose only and forms no part of the claimed design.

1 Claim, 4 Drawing Sheets



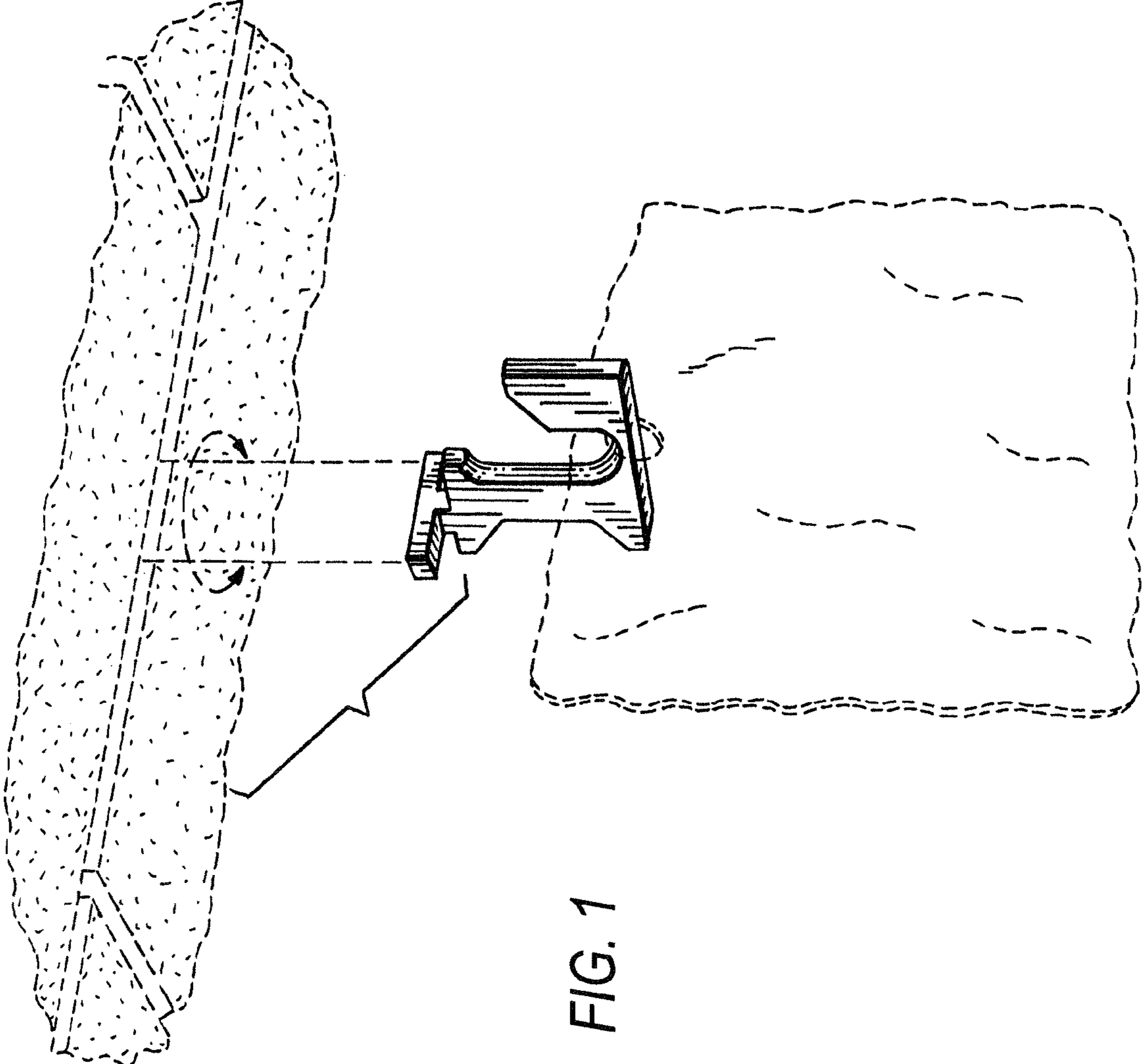


FIG. 2

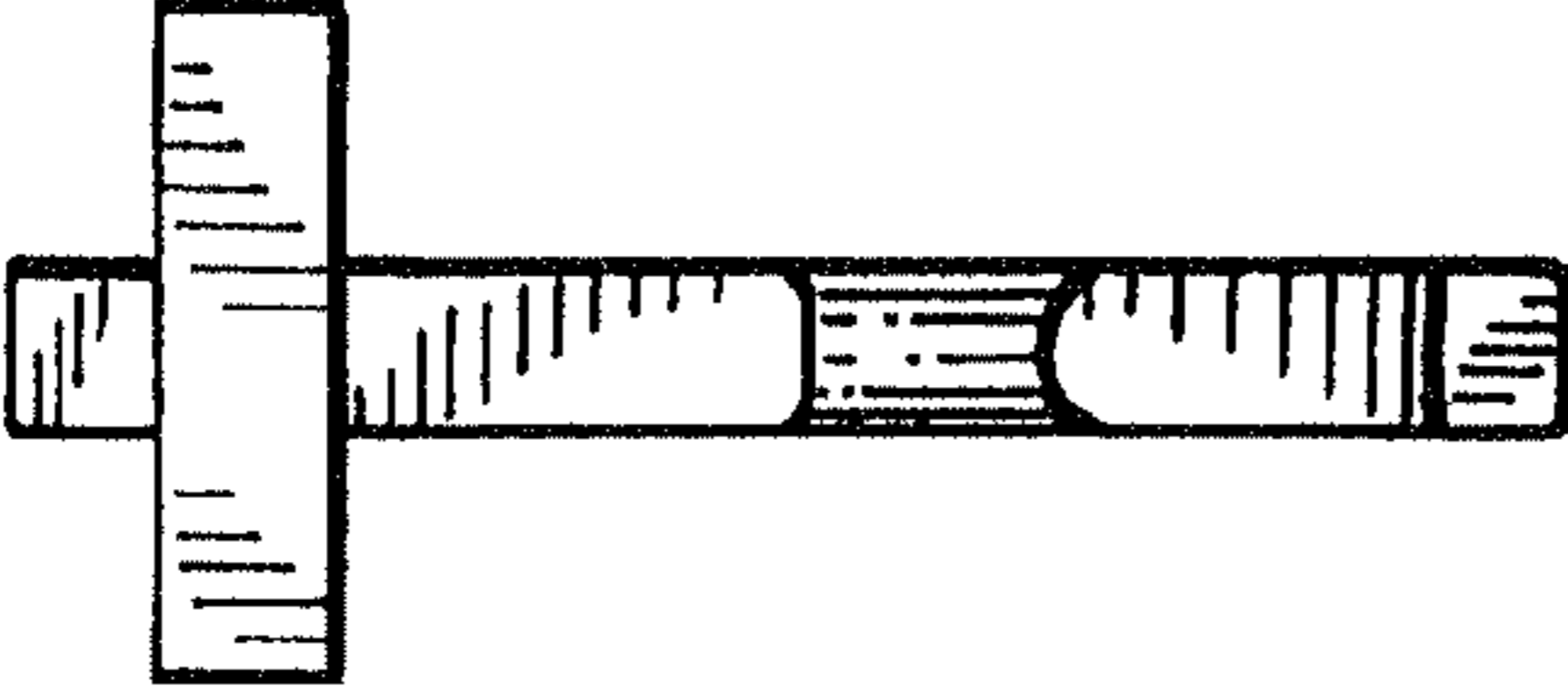
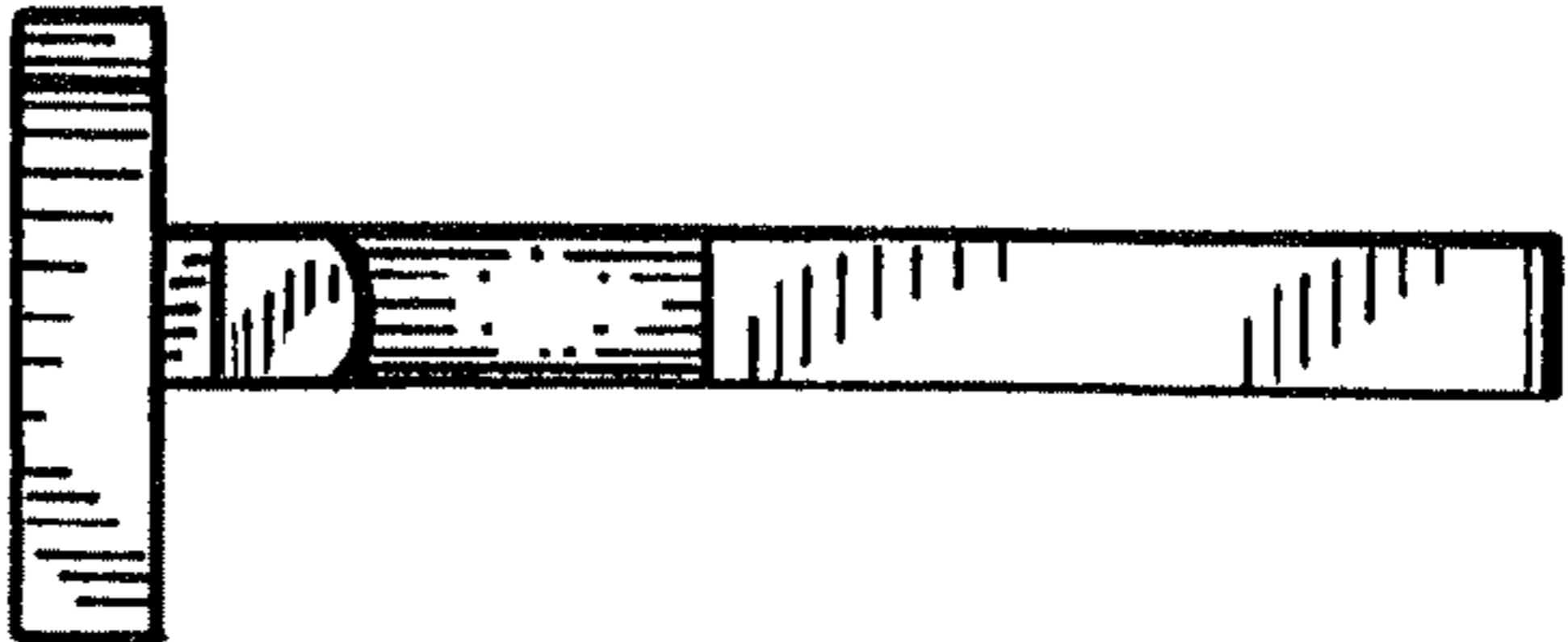


FIG. 3



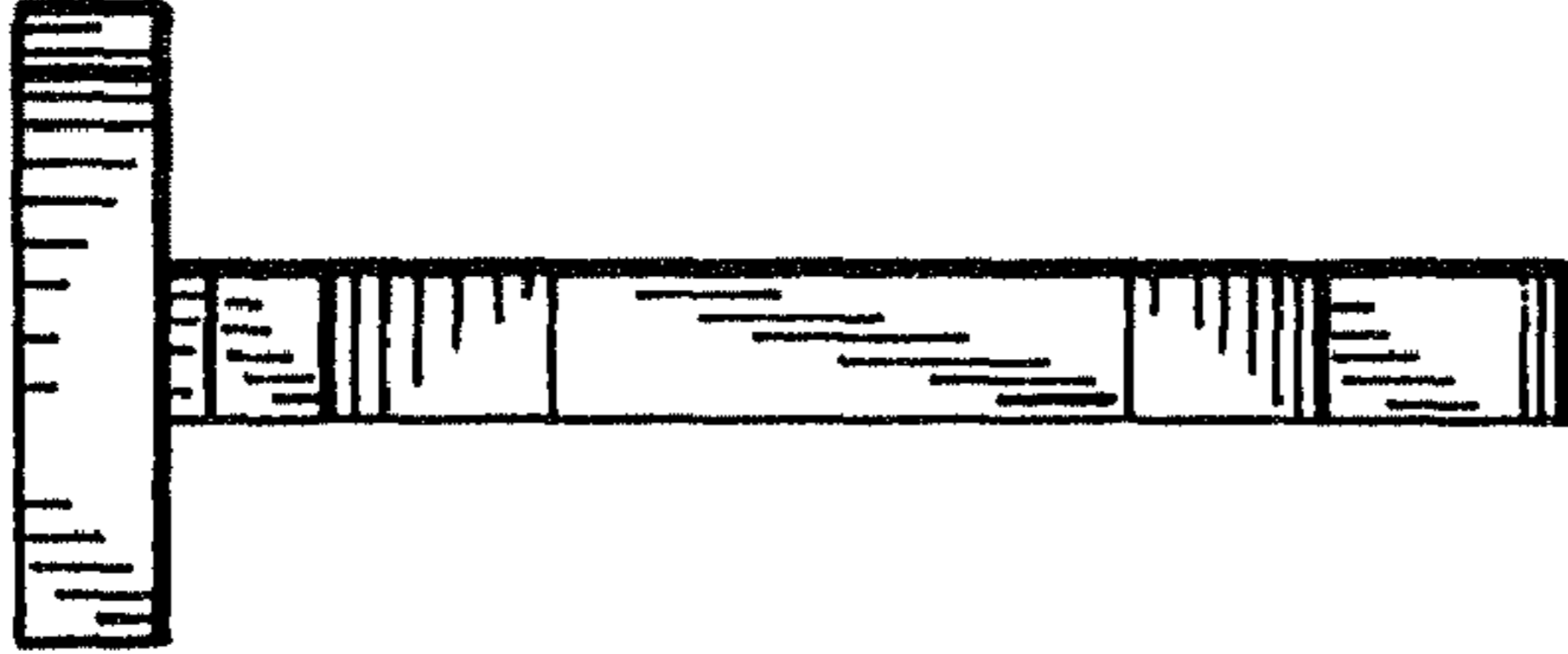


FIG. 5

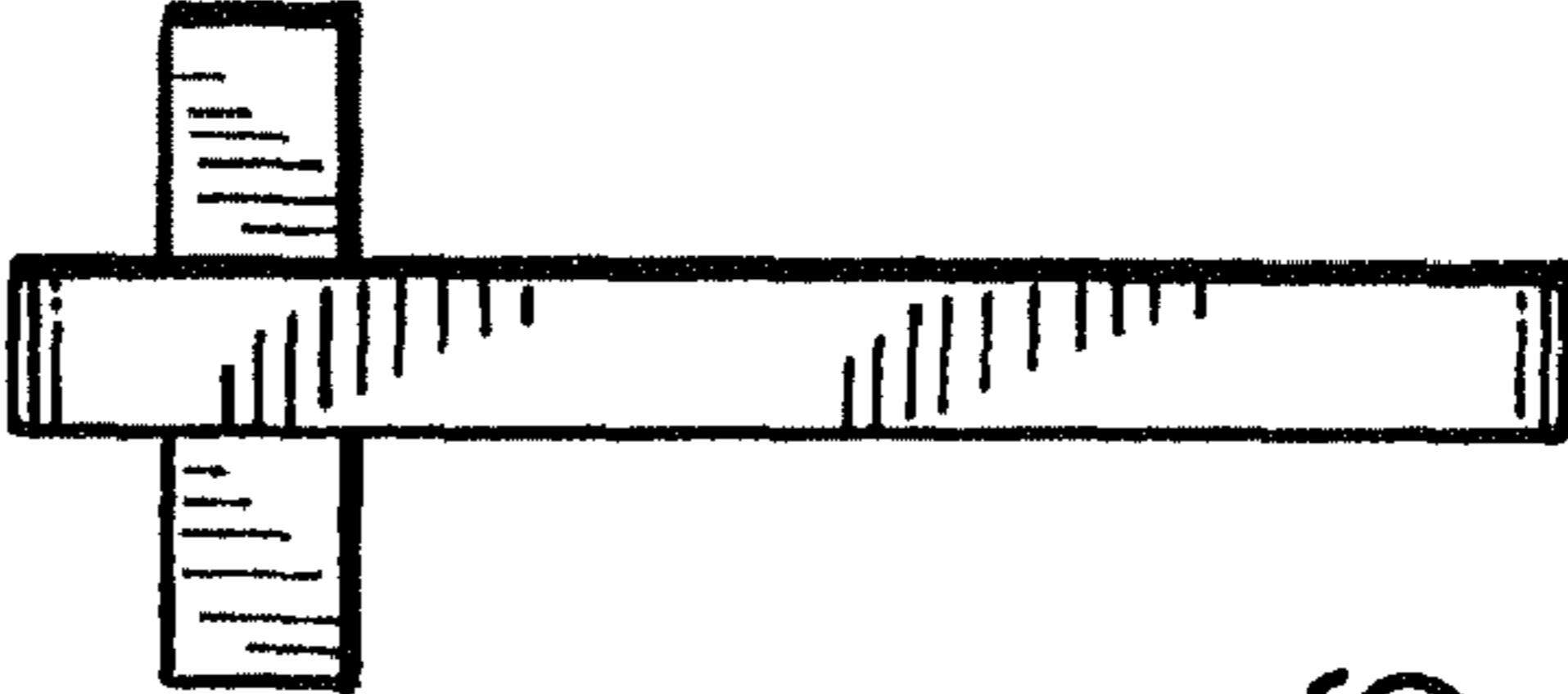


FIG. 6

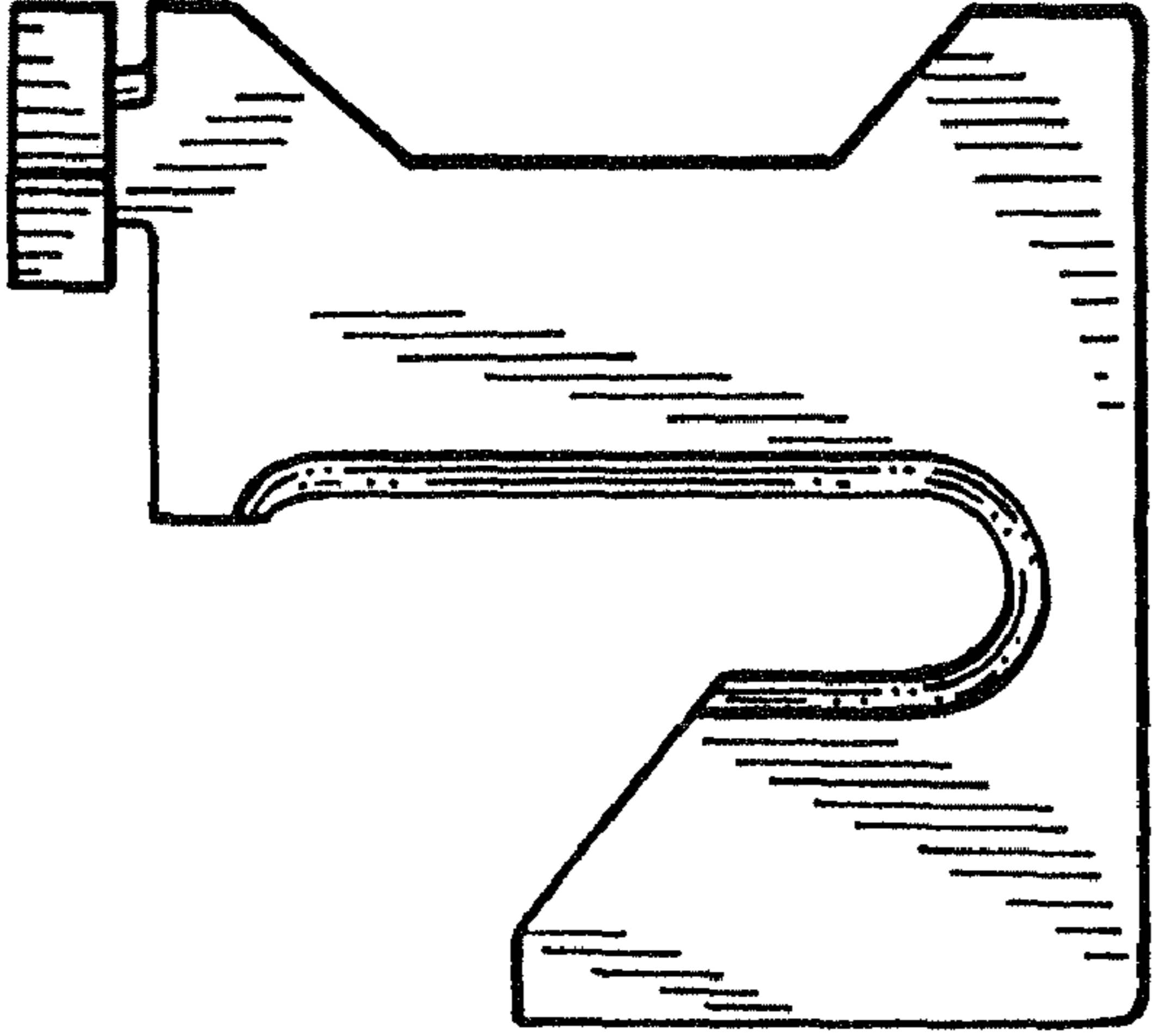


FIG. 4

FIG. 8

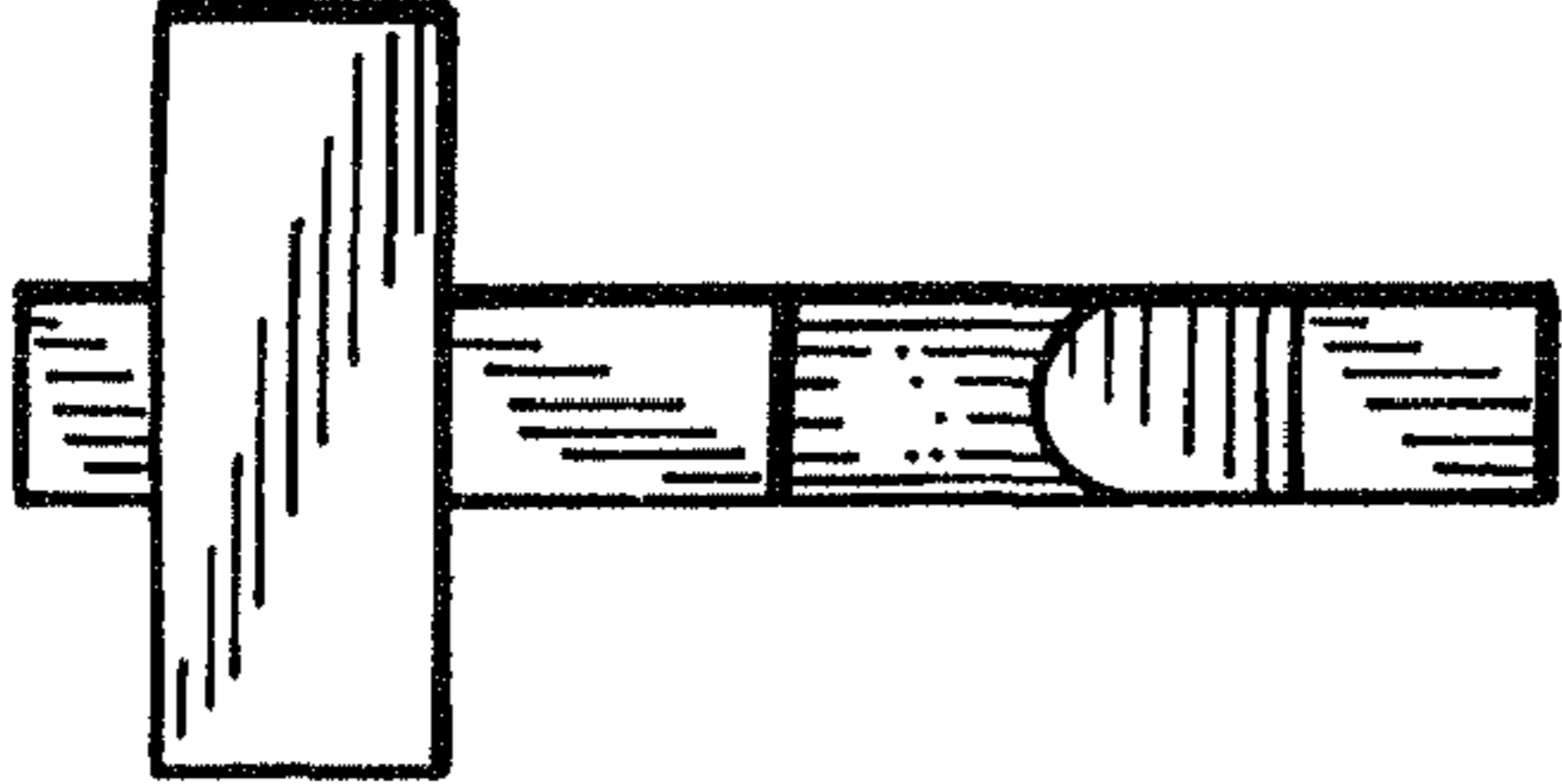


FIG. 9

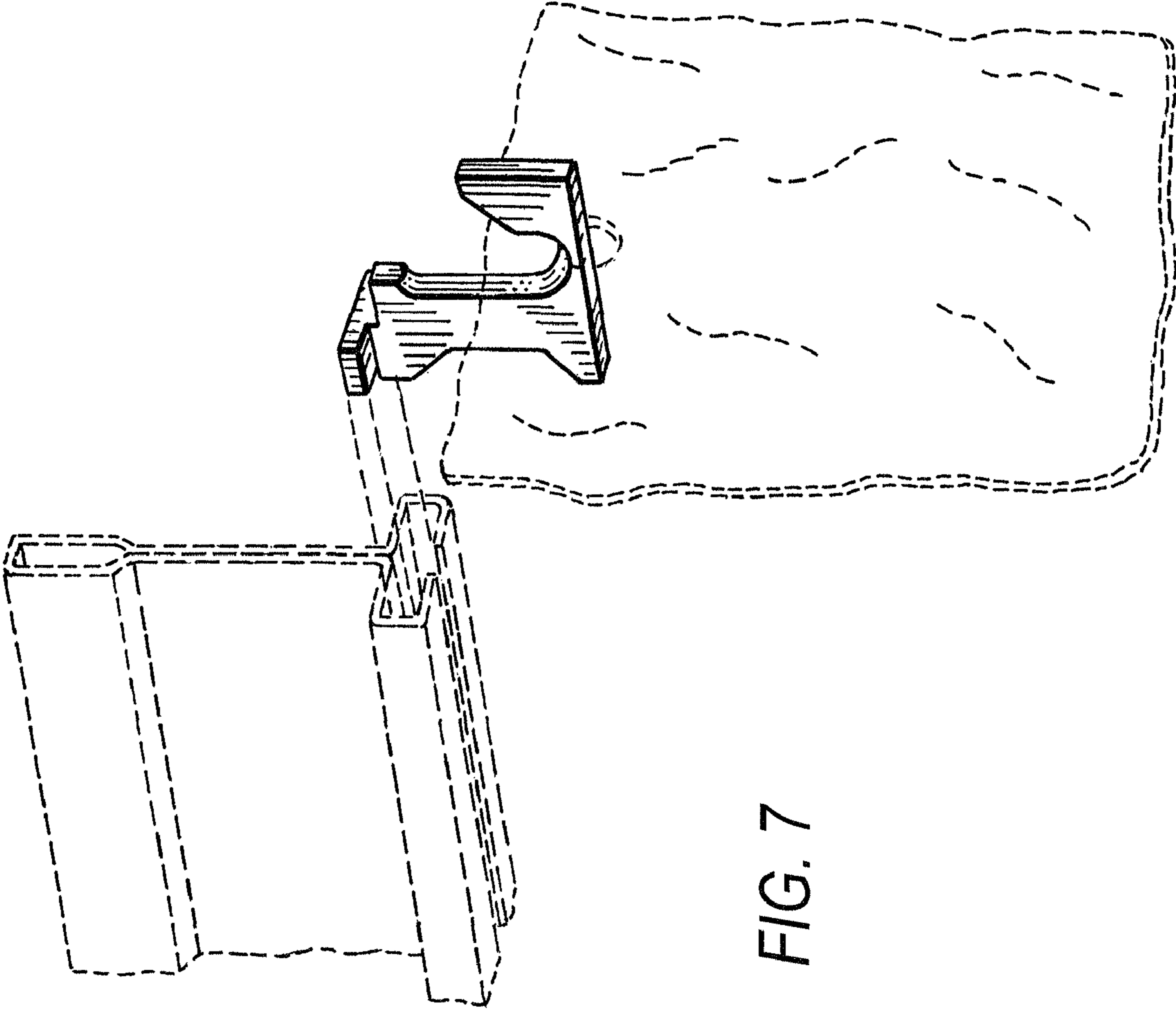
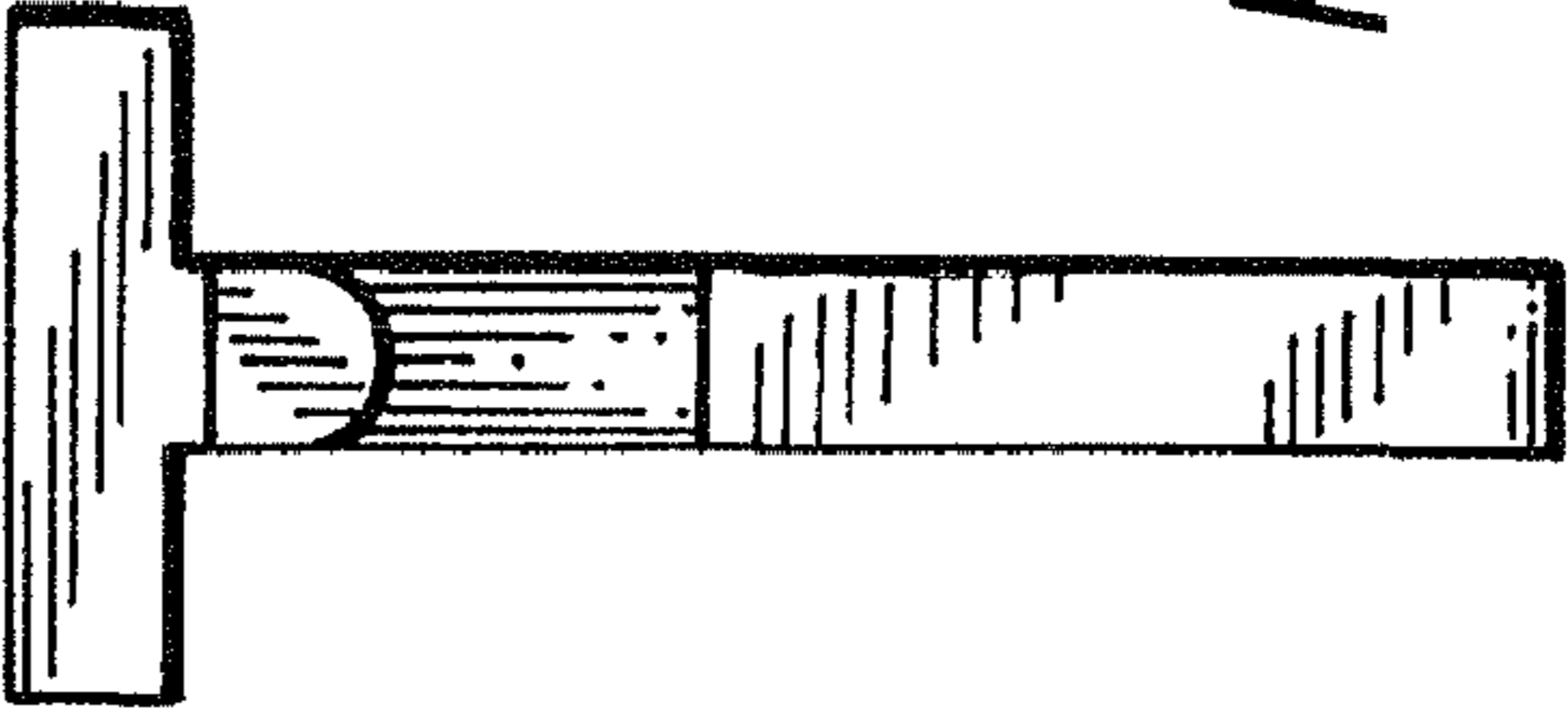


FIG. 7

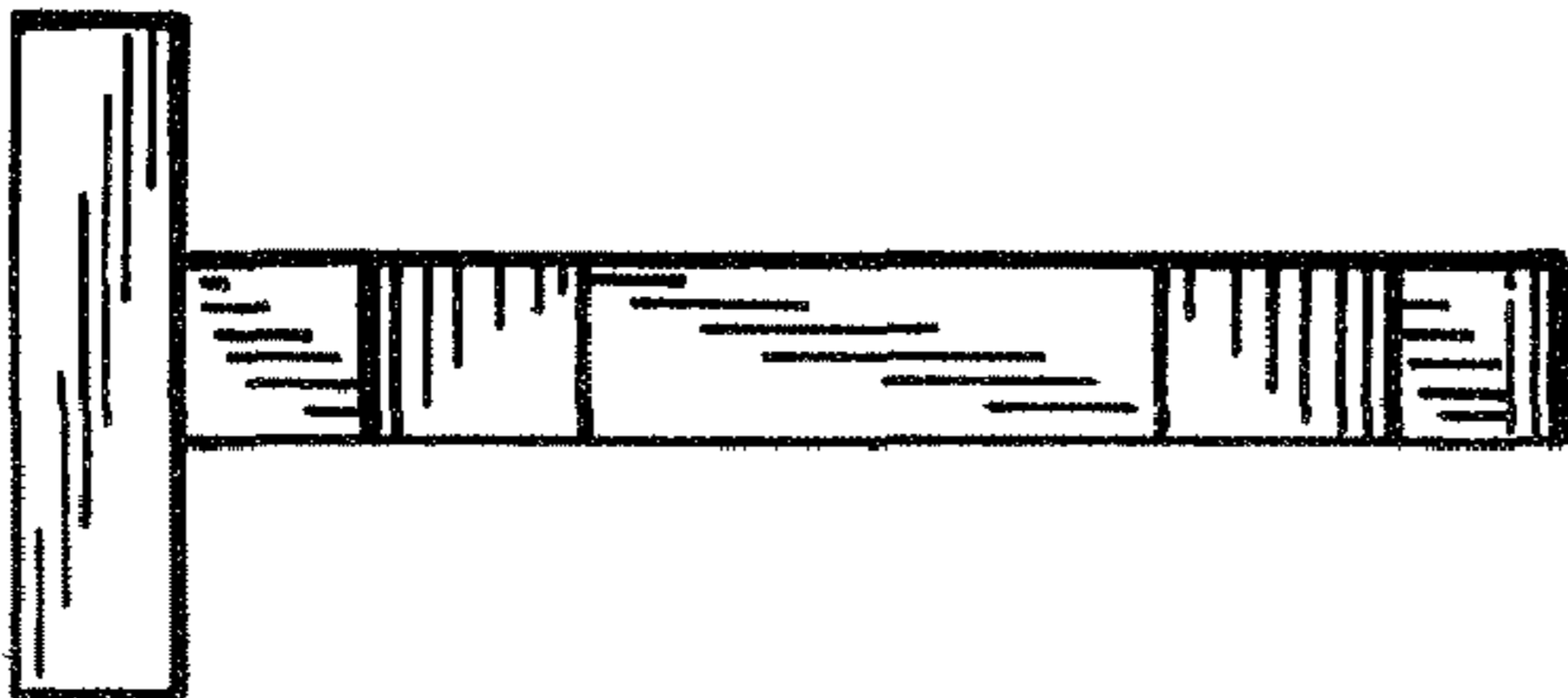


FIG. 11

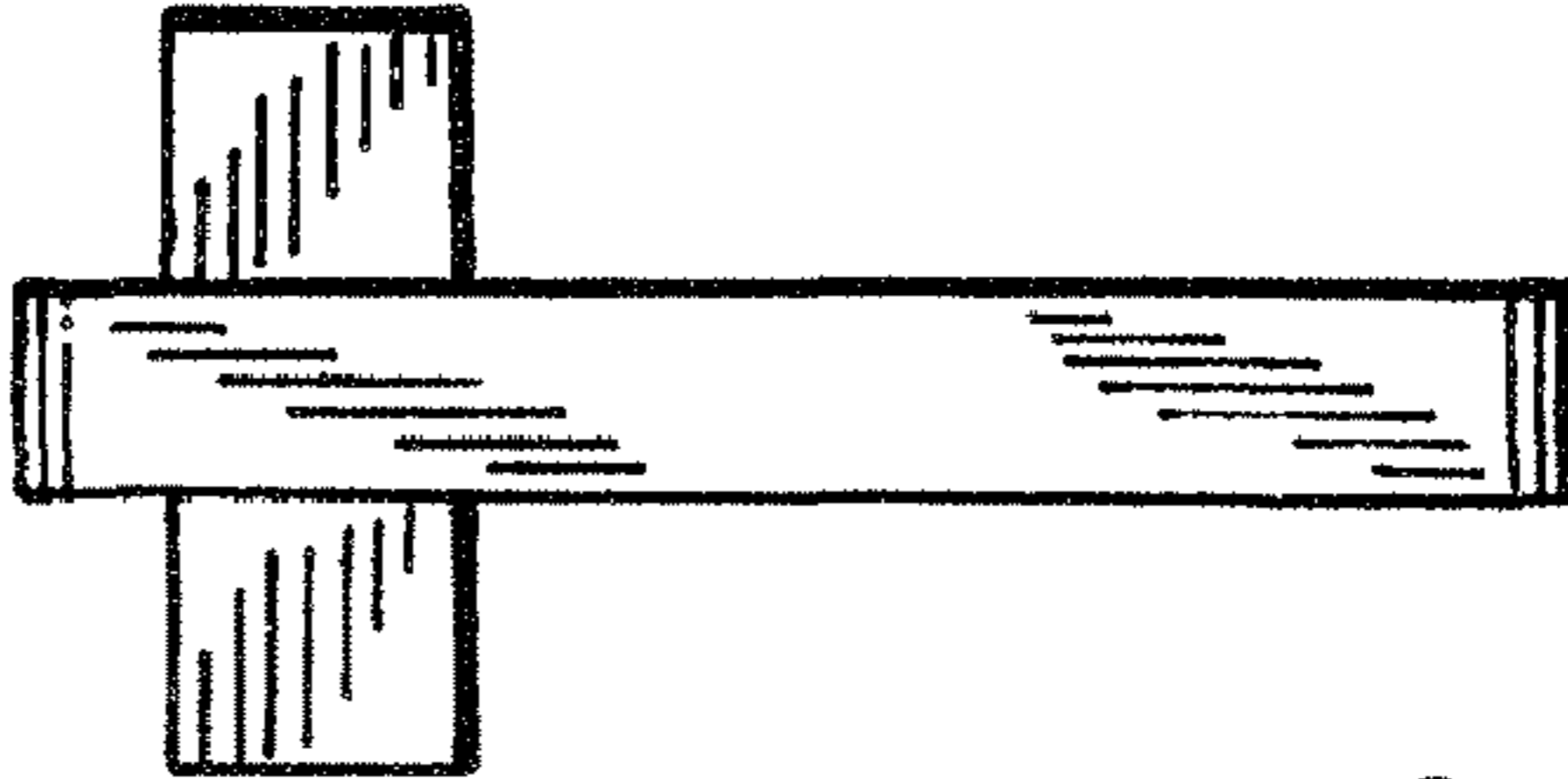


FIG. 12

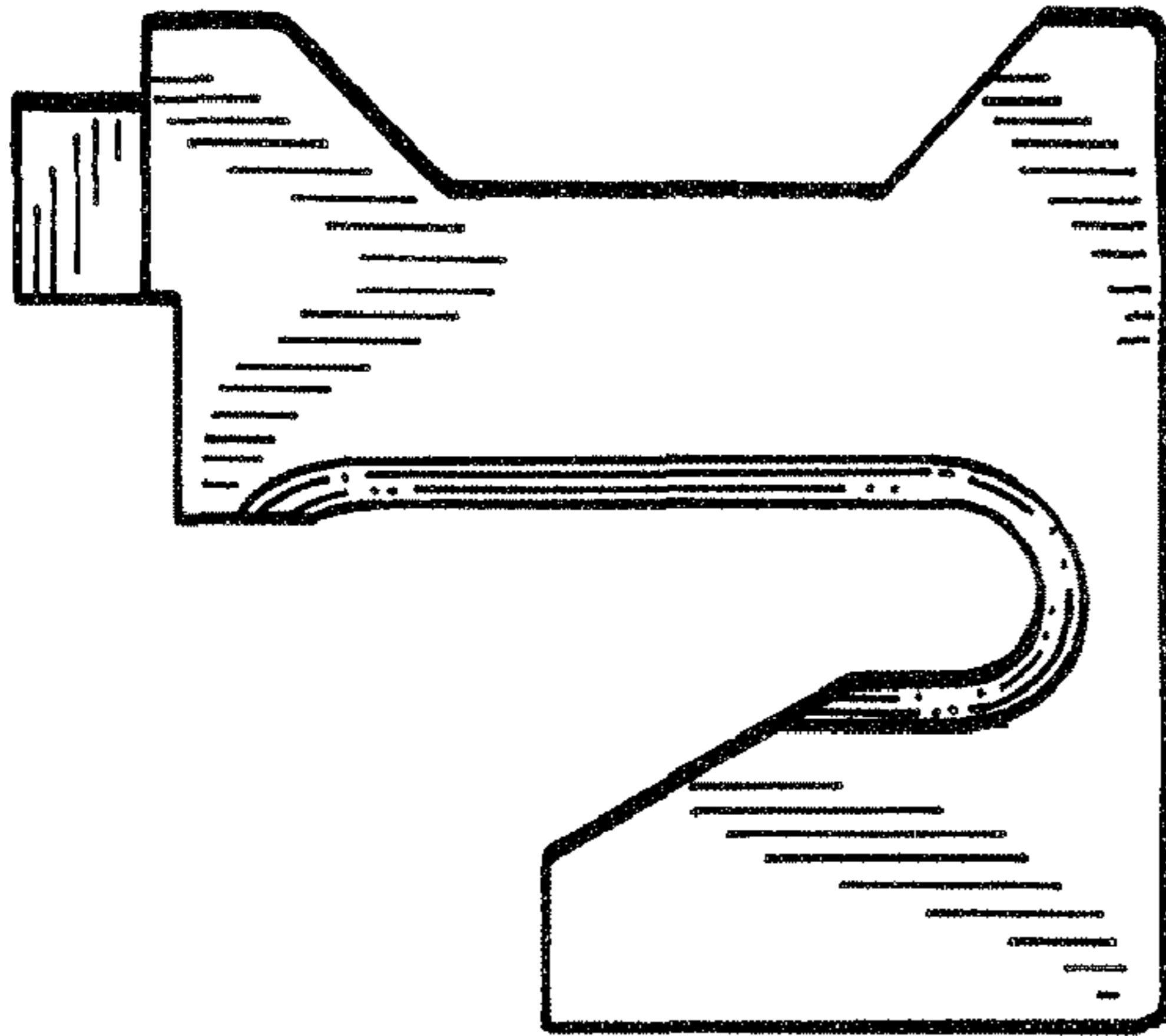


FIG. 10