



US00D621239S

(12) **United States Design Patent**  
**Sorkin**

(10) **Patent No.:** **US D621,239 S**

(45) **Date of Patent:** **\*\* Aug. 10, 2010**

(54) **UPPER BEAM SLAB BOLSTER**

(76) **Inventor:** **Felix L. Sorkin**, 13022 Trinity Dr.,  
Stafford, TX (US) 77477

(\*\*) **Term:** **14 Years**

(21) **Appl. No.:** **29/342,519**

(22) **Filed:** **Aug. 26, 2009**

(51) **LOC (9) Cl.** ..... **08-05**

(52) **U.S. Cl.** ..... **D8/354**

(58) **Field of Classification Search** ..... D8/354;  
52/684, 686, 687, 688, 677

See application file for complete search history.

(56) **References Cited**

**U.S. PATENT DOCUMENTS**

6,948,291 B2 \* 9/2005 Haslem et al. .... 52/677

7,108,453 B2 \* 9/2006 Harris ..... 404/135

D571,189 S \* 6/2008 Verelli et al. .... D8/354

\* cited by examiner

*Primary Examiner*—Doris Clark

(74) *Attorney, Agent, or Firm*—Egbert Law Offices PLLC

(57) **CLAIM**

The ornamental design for the upper beam slab bolster, as shown and described.

**DESCRIPTION**

FIG. 1 is an upper perspective view of the upper beam slab bolster showing my new design.

FIG. 2 is an end elevation view thereof;

FIG. 3 is an opposite end elevation view thereof;

FIG. 4 is a side elevation view thereof;

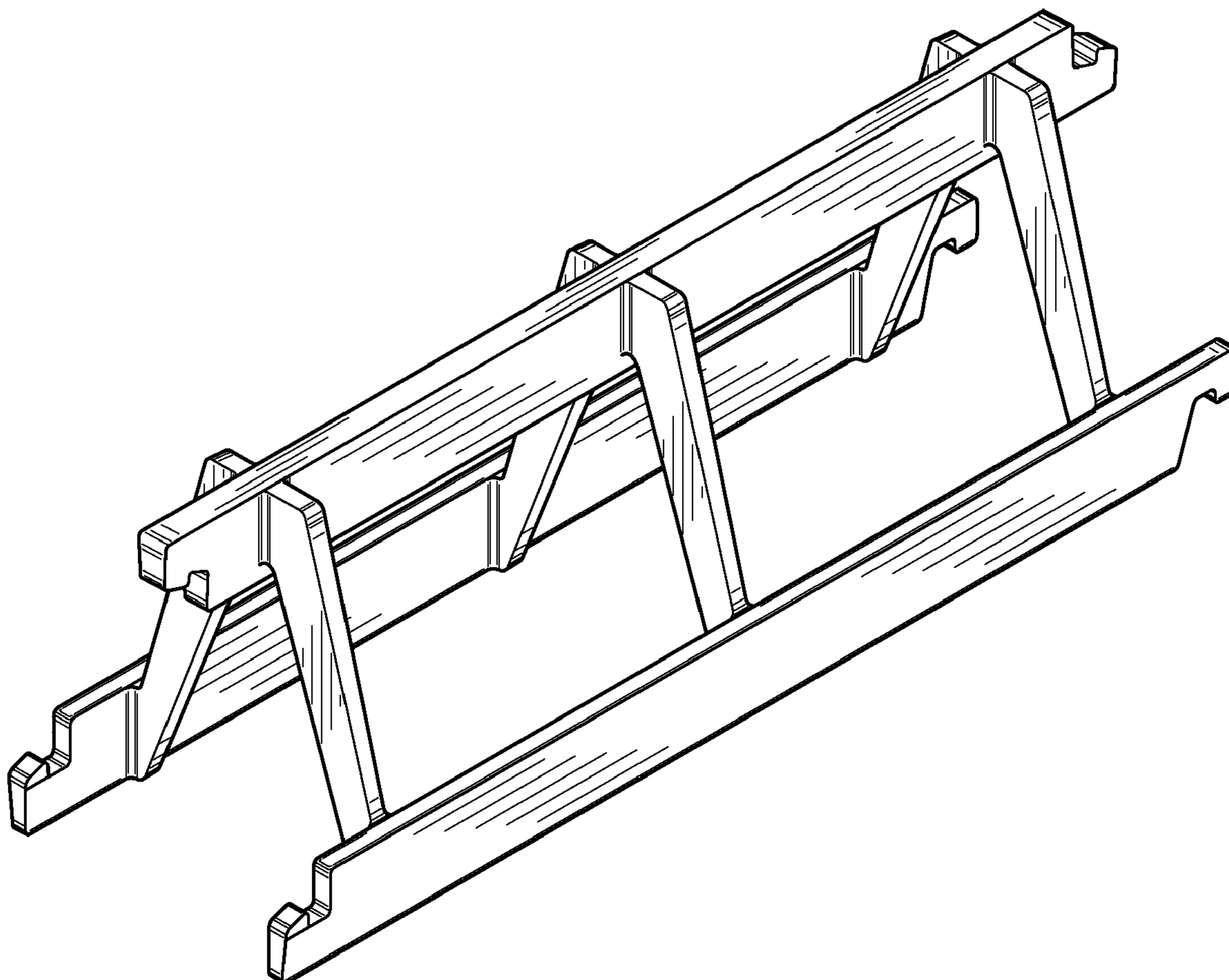
FIG. 5 is an opposite side elevation view thereof;

FIG. 6 is a top plan view thereof; and,

FIG. 7 is a bottom plan view thereof.

The upper beam slab bolster is used in reinforced concrete construction.

**1 Claim, 3 Drawing Sheets**



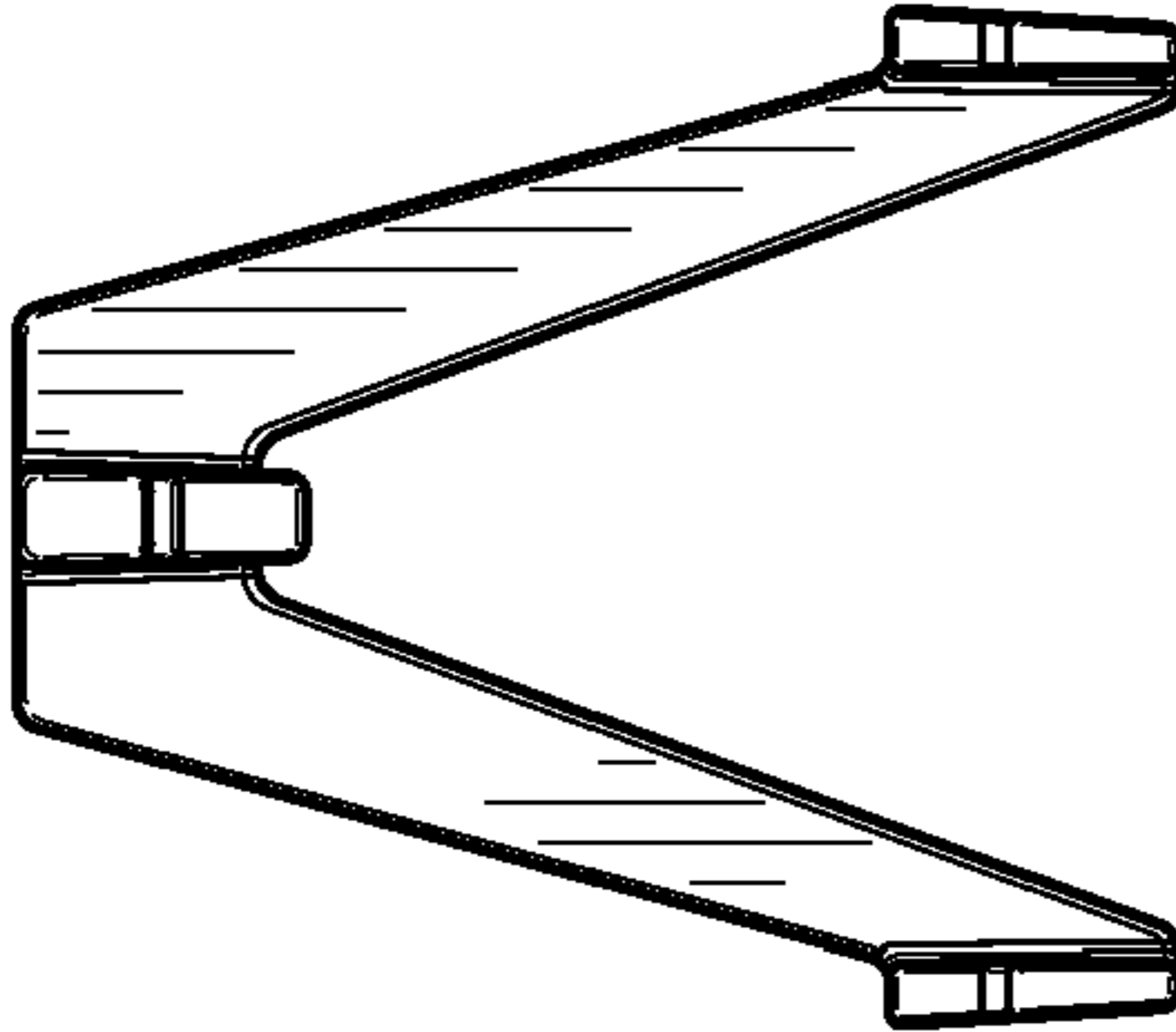


FIG. 2

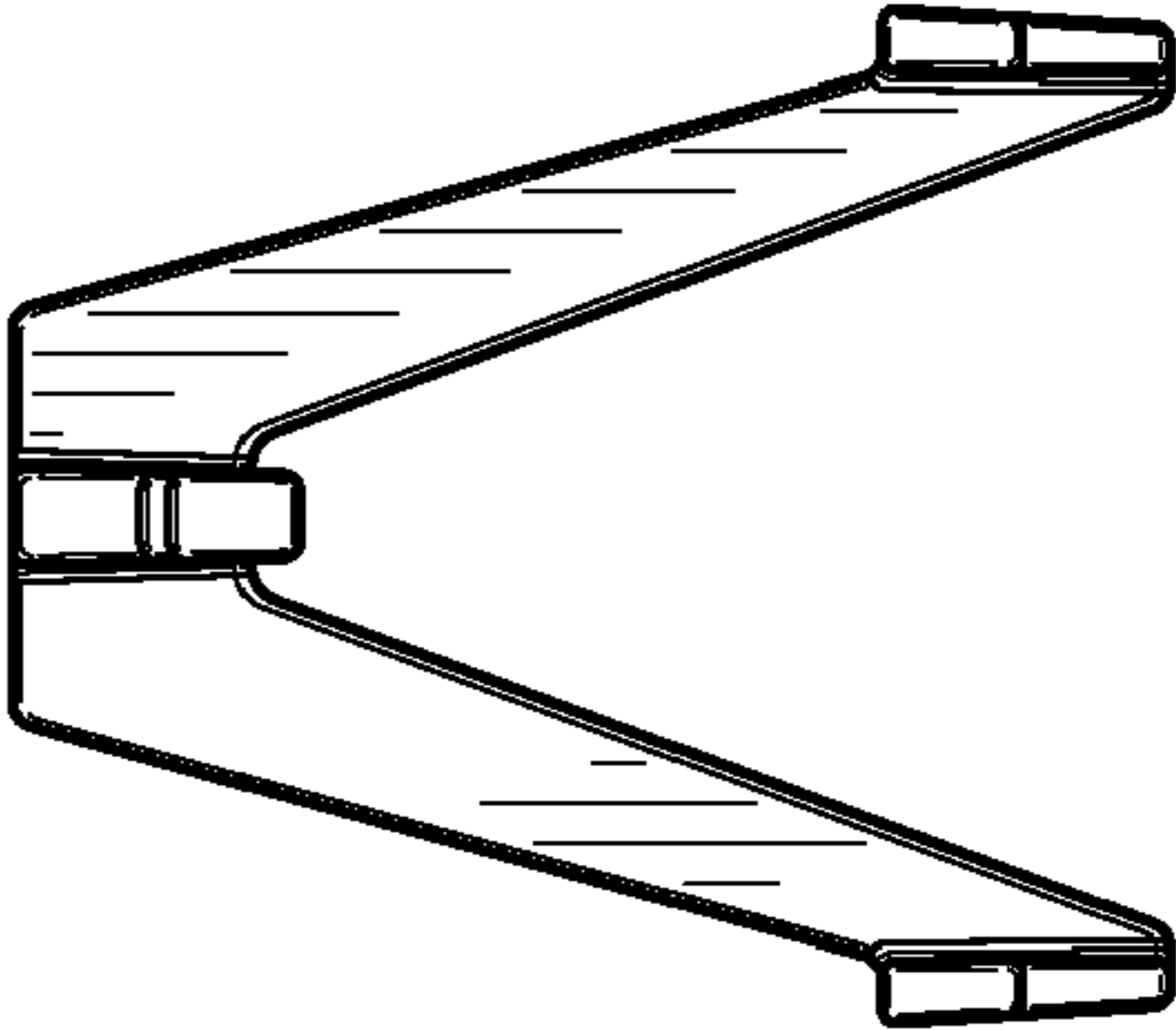


FIG. 3

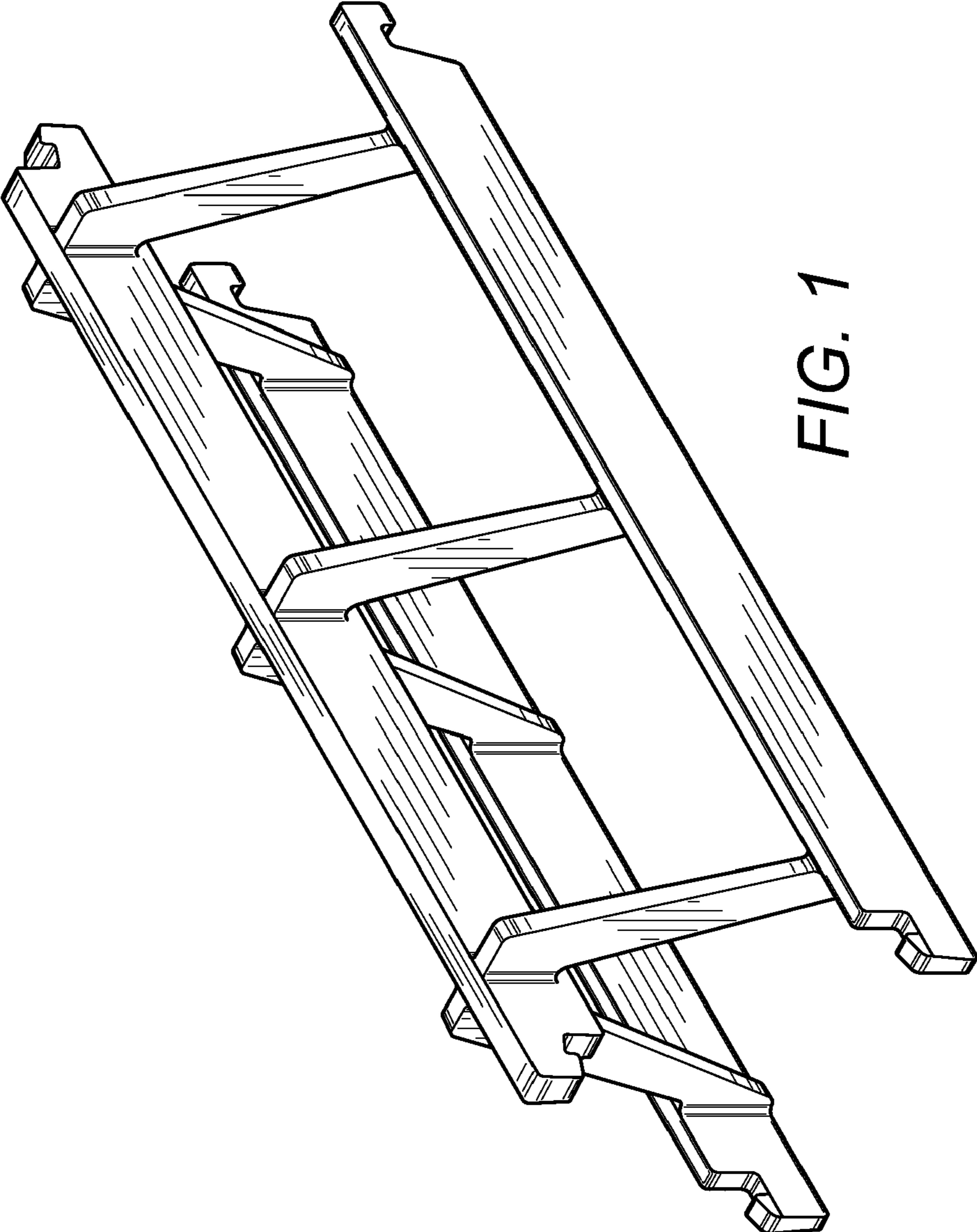


FIG. 1

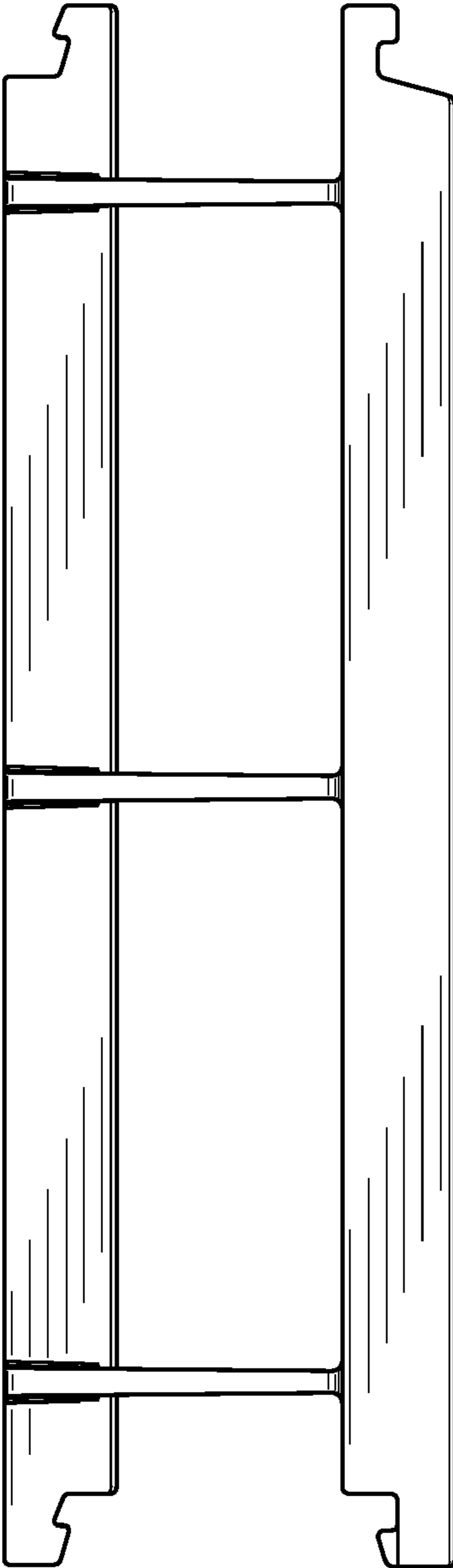


FIG. 4

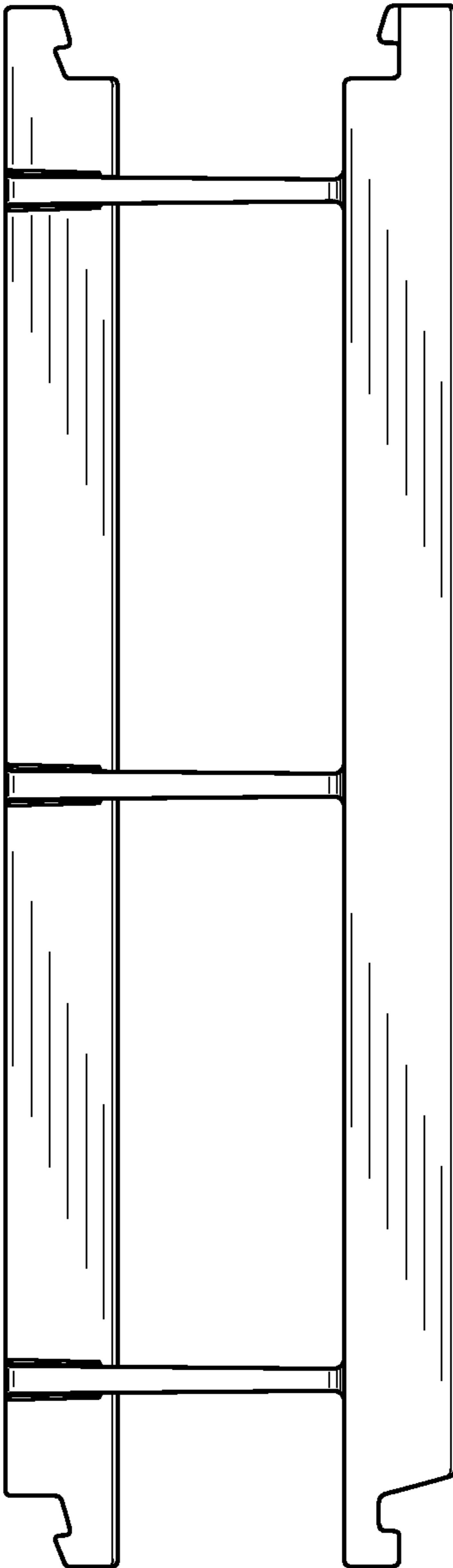


FIG. 5

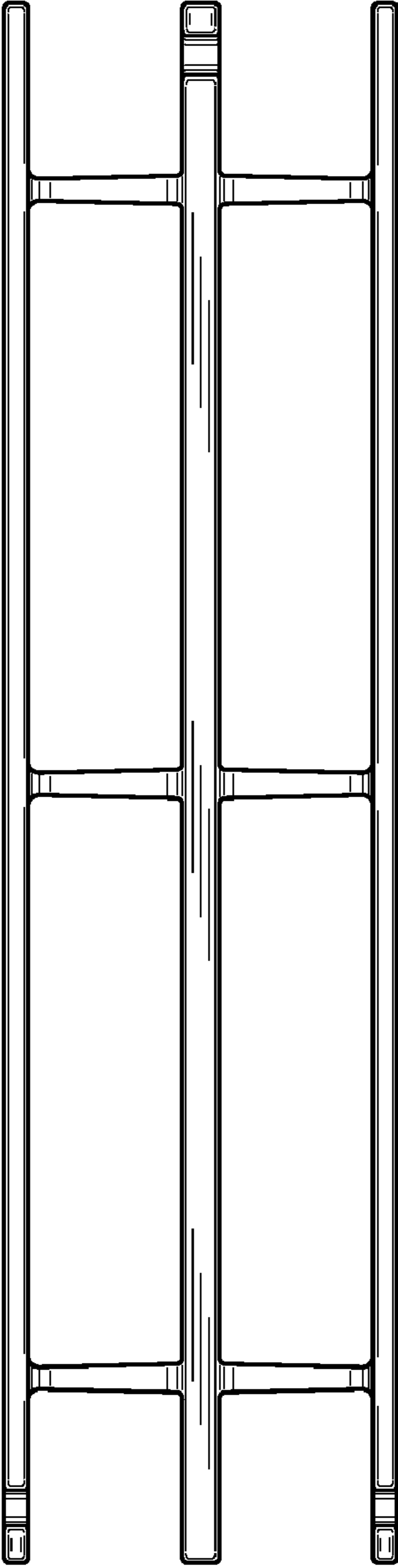


FIG. 6

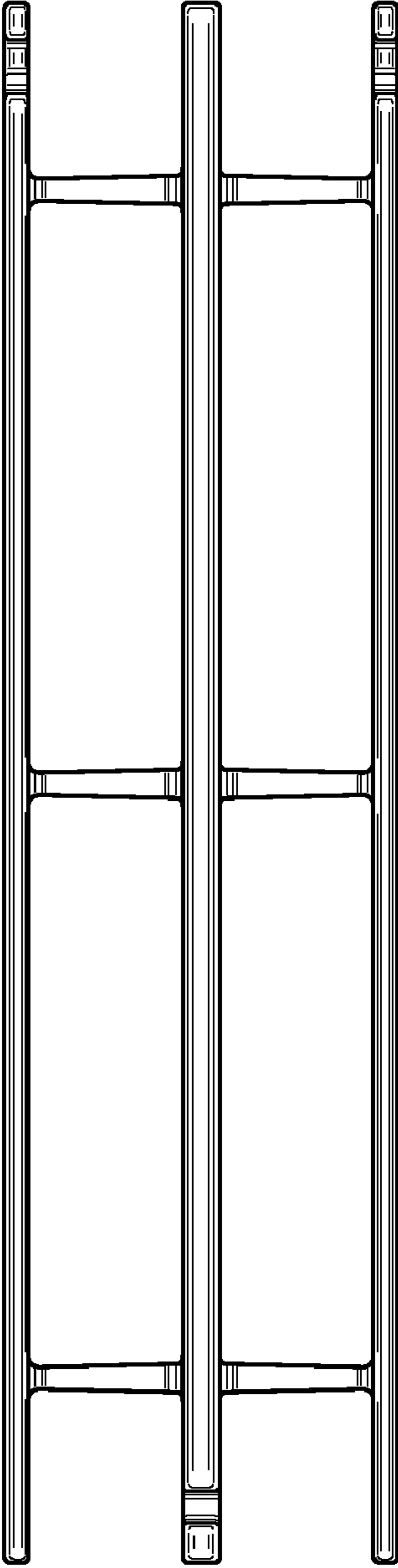


FIG. 7