



US00D621236S

(12) **United States Design Patent**
Bahler et al.

(10) **Patent No.:** **US D621,236 S**

(45) **Date of Patent:** **** *Aug. 10, 2010**

(54) **SCREEDER**

(75) Inventors: **Philip J. Bahler**, Tolland, CT (US);
Steven R. Bahler, Ellington, CT (US)

(73) Assignee: **ToolBro Innovators LLC**, South Windsor, CT (US)

(*) Notice: This patent is subject to a terminal disclaimer.

(**) Term: **14 Years**

(21) Appl. No.: **29/294,519**

(22) Filed: **Jan. 15, 2008**

(51) **LOC (9) Cl.** **08-05**

(52) **U.S. Cl.** **D8/45**

(58) **Field of Classification Search** D8/45;
404/97, 118, 119; 15/235.4, 235.5, 235.8,
15/245

See application file for complete search history.

(56) **References Cited**

U.S. PATENT DOCUMENTS

2,018,890	A *	10/1935	Heltzel	15/235.4
4,449,845	A *	5/1984	Carrillo	404/118
4,520,527	A *	6/1985	Maggio et al.	15/235.8
4,702,641	A *	10/1987	Naser et al.	404/97
5,393,168	A *	2/1995	Jarvis	404/97
5,460,461	A *	10/1995	McGrath	404/118
5,467,496	A *	11/1995	Jarvis	15/235.8

5,609,437	A *	3/1997	Silva	404/118
5,676,489	A *	10/1997	Willhoite	404/93
D399,400	S *	10/1998	Weber	D8/70
5,827,523	A *	10/1998	Holland	424/405

* cited by examiner

Primary Examiner—Philip S Hyder

(74) *Attorney, Agent, or Firm*—Ira S. Dorman

(57) **CLAIM**

The ornamental design for a screeder, as shown and described.

DESCRIPTION

FIG. 1 is a fragmentary front perspective view of a screeder embodying the new design;

FIG. 2 is a front elevational view of the screeder;

FIG. 3 is a rear elevational view of the screeder;

FIG. 4 is a fragmentary rear perspective view of the screeder, drawn to a scale enlarged from FIG. 1;

FIG. 5 is a fragmentary top plan view thereof;

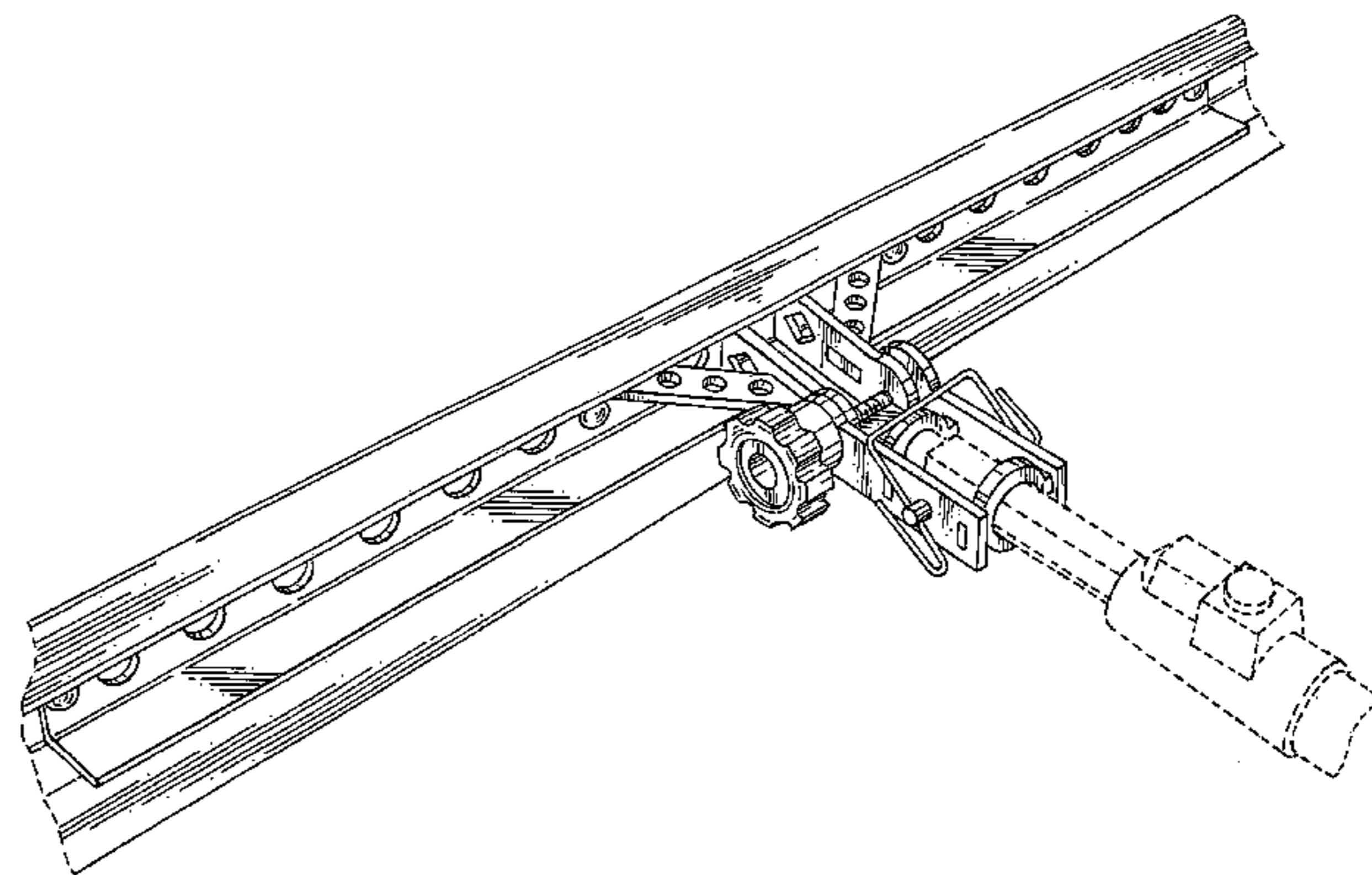
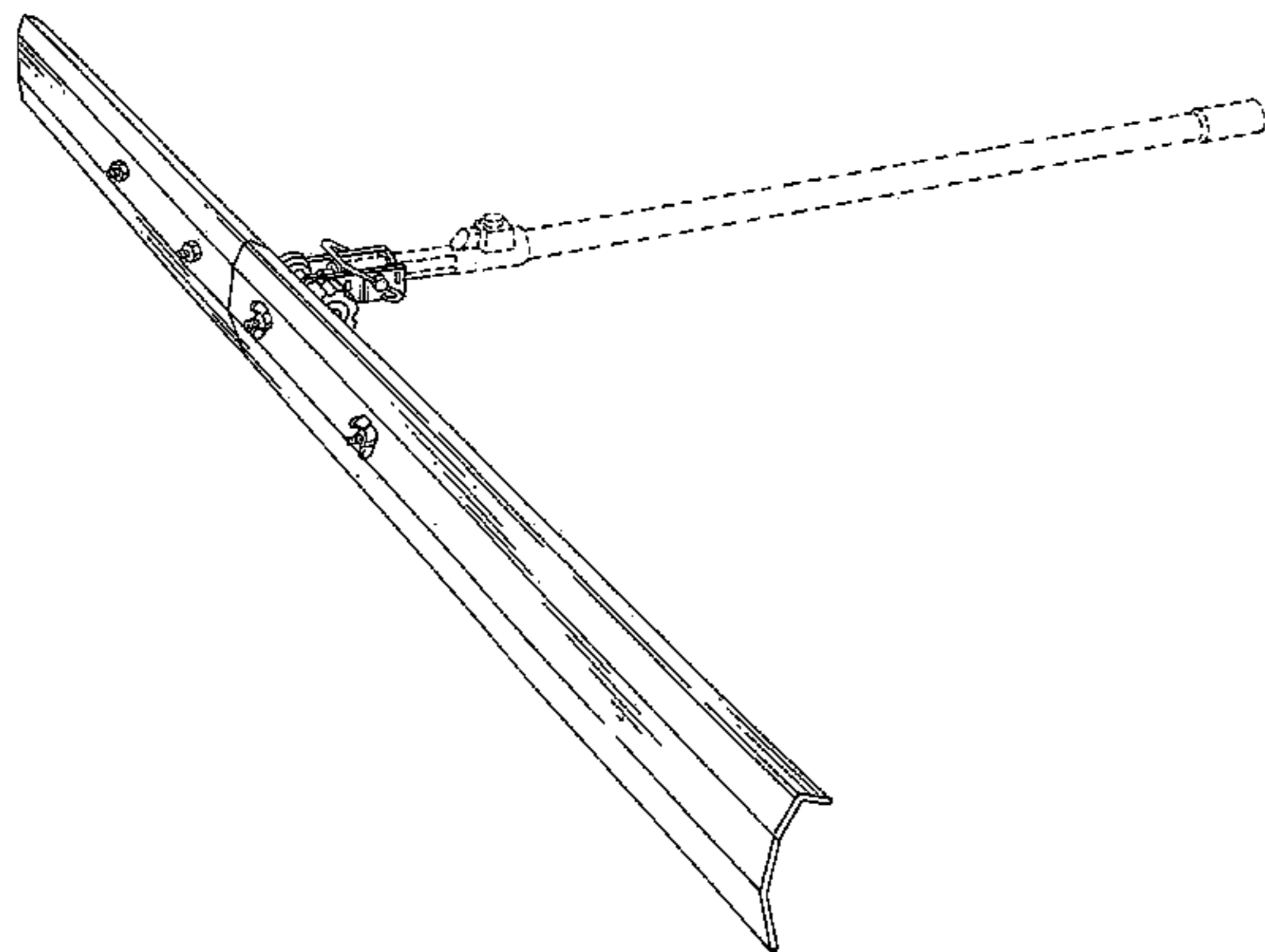
FIG. 6 is a fragmentary bottom plan view thereof;

FIG. 7 is a right side elevational view of the screeder; and,

FIG. 8 is a left side elevational view of the screeder.

The broken line showings of the handle are provided to illustrate environmental structure that forms no part of the claimed design. The broken line boundaries that appear in the fragmentary views form no part of the claimed design.

1 Claim, 7 Drawing Sheets



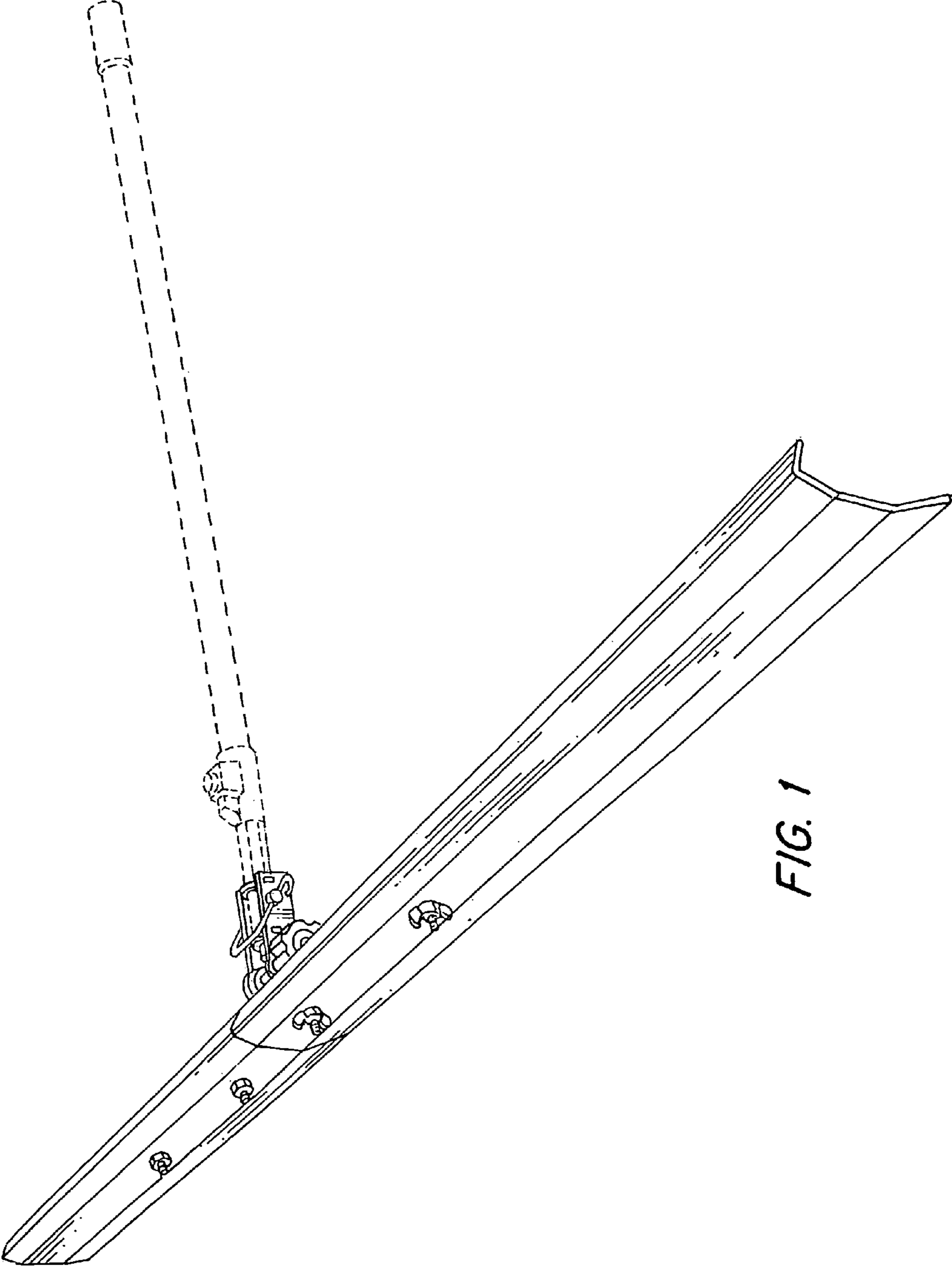


FIG. 1

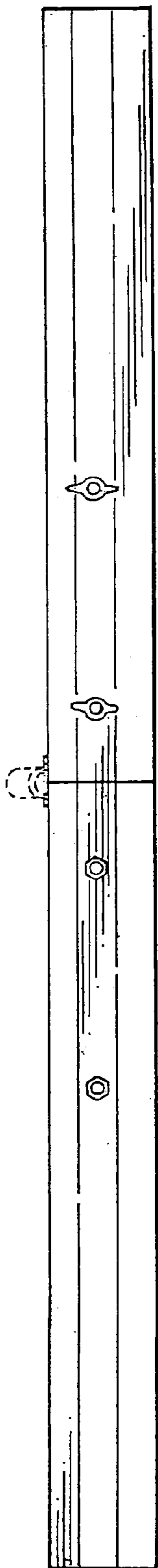


FIG. 2

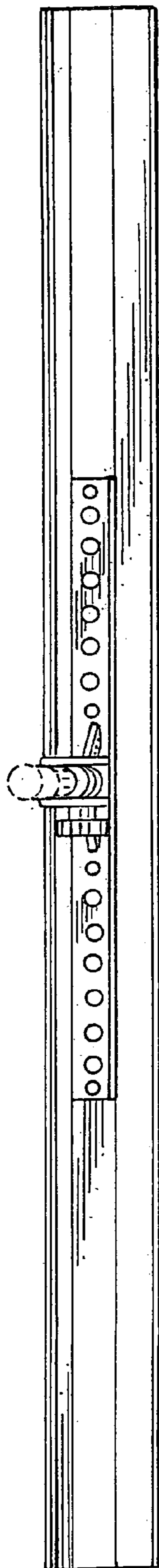


FIG. 3

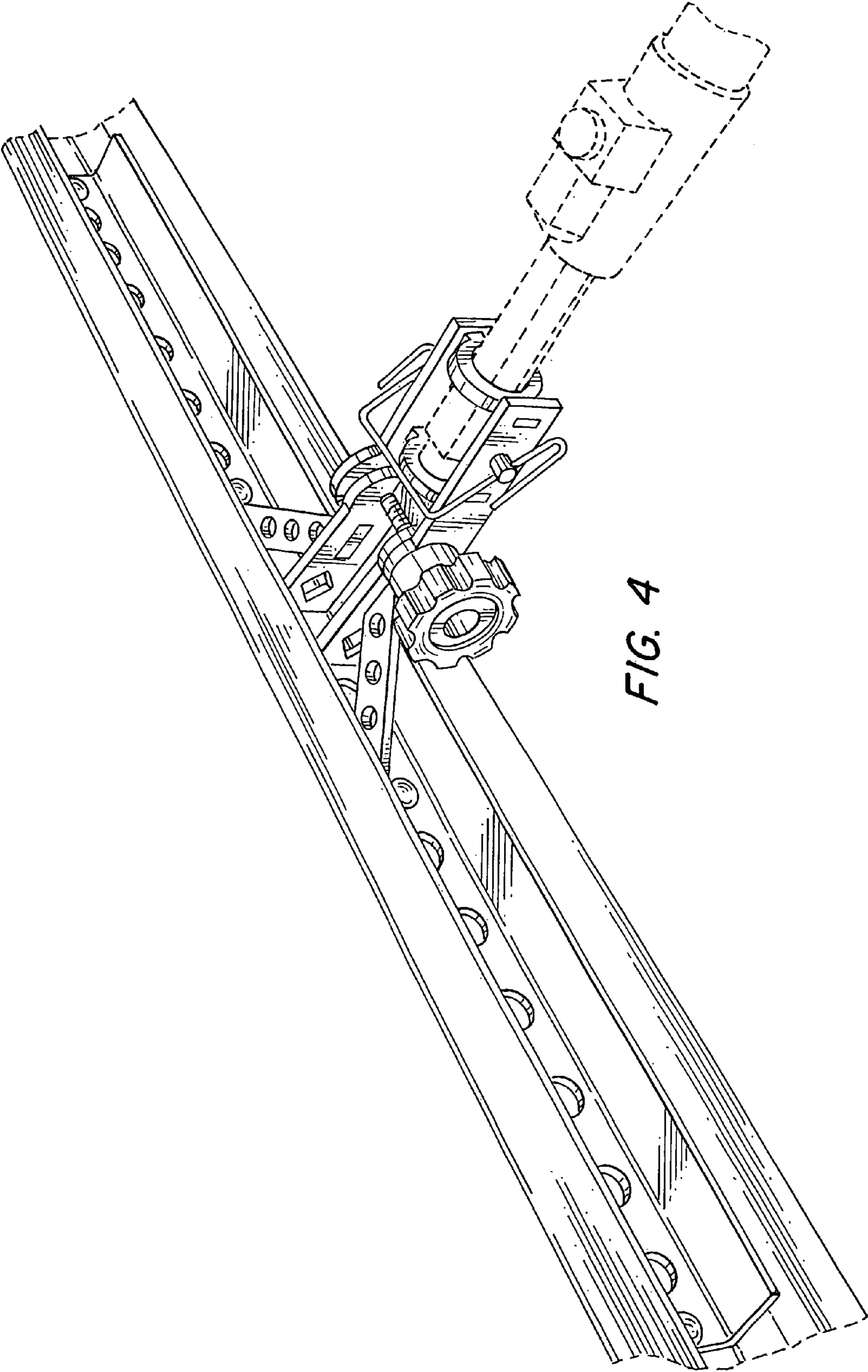


FIG. 4

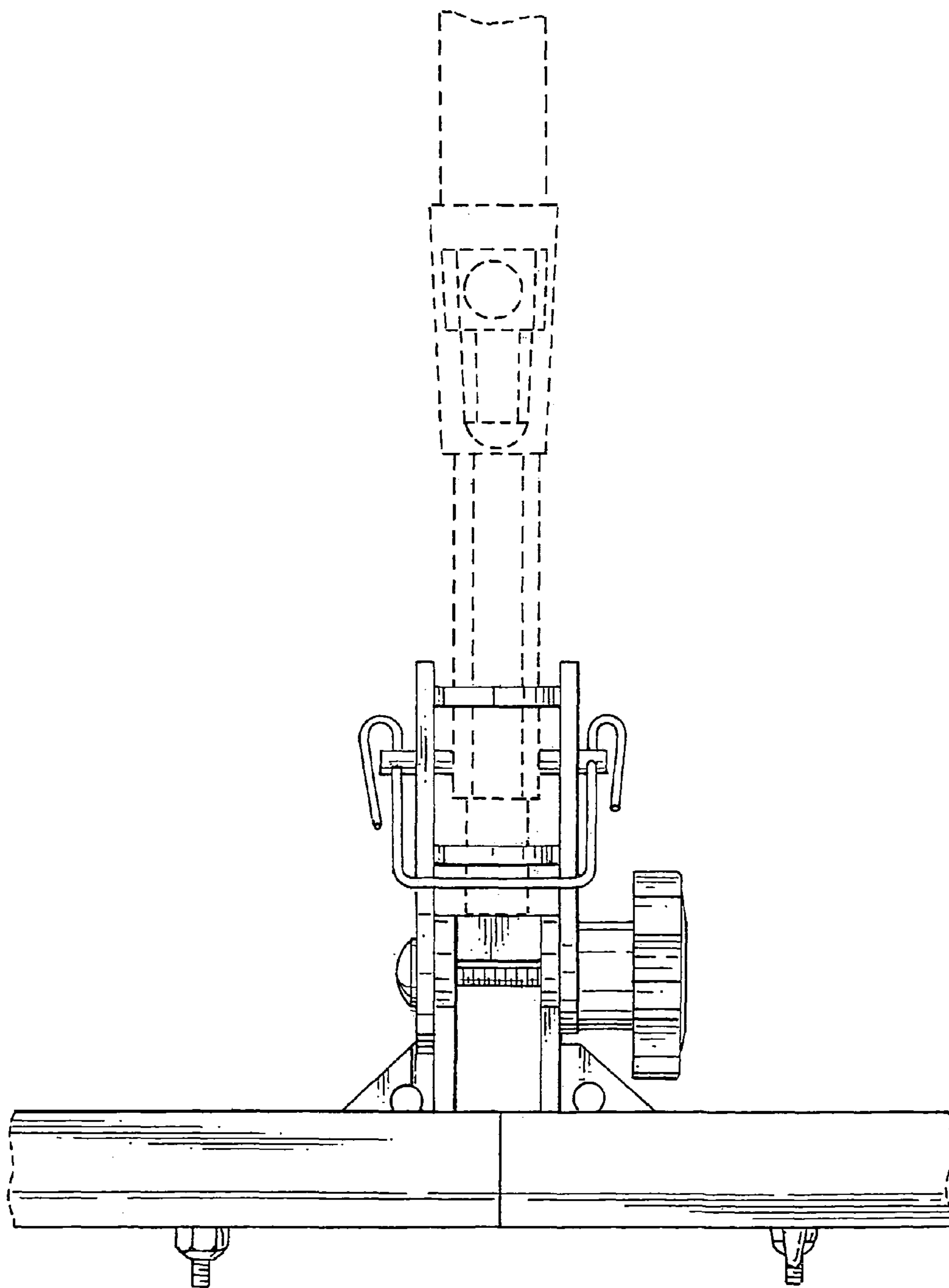


FIG. 5

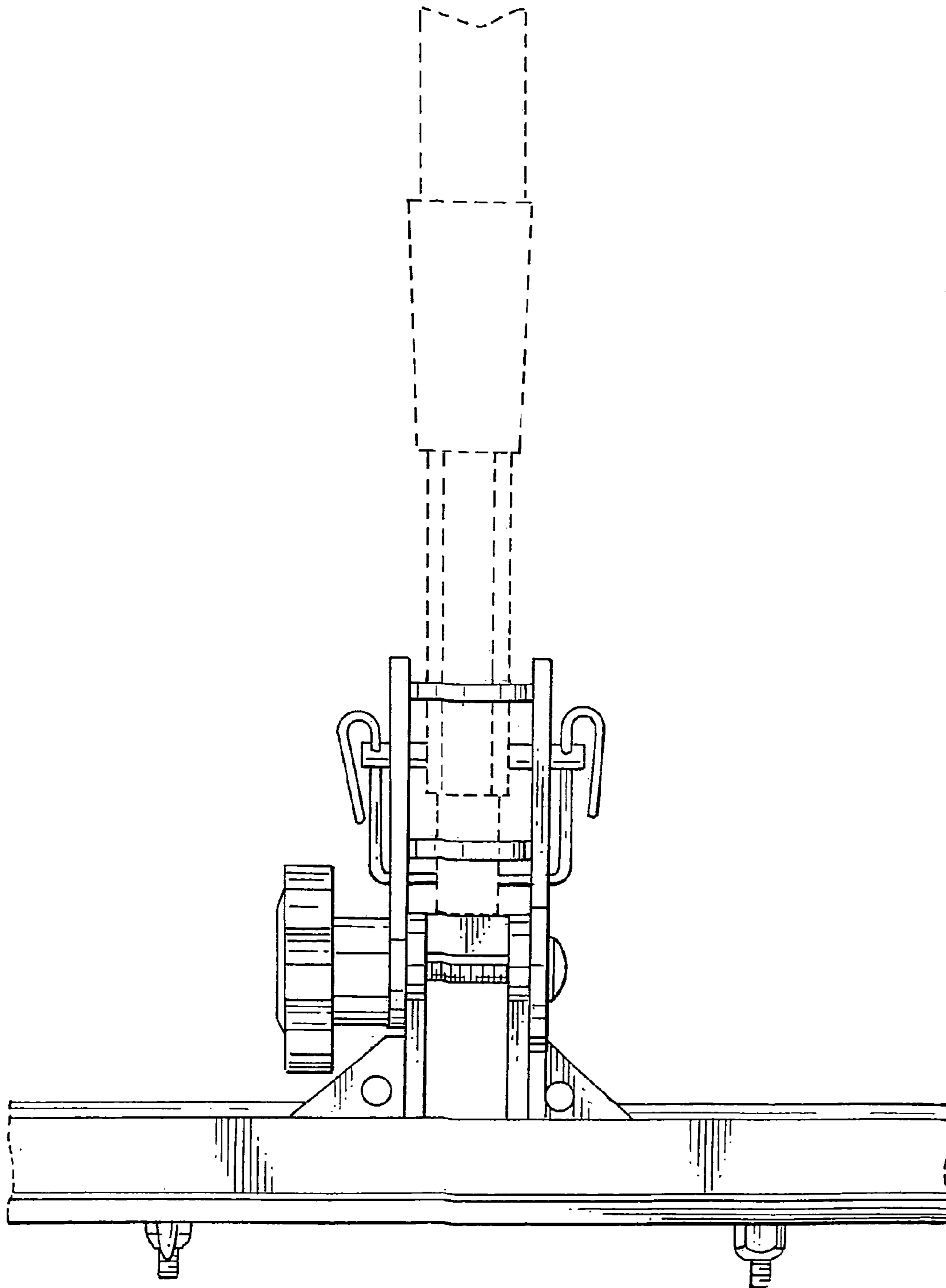


FIG. 6

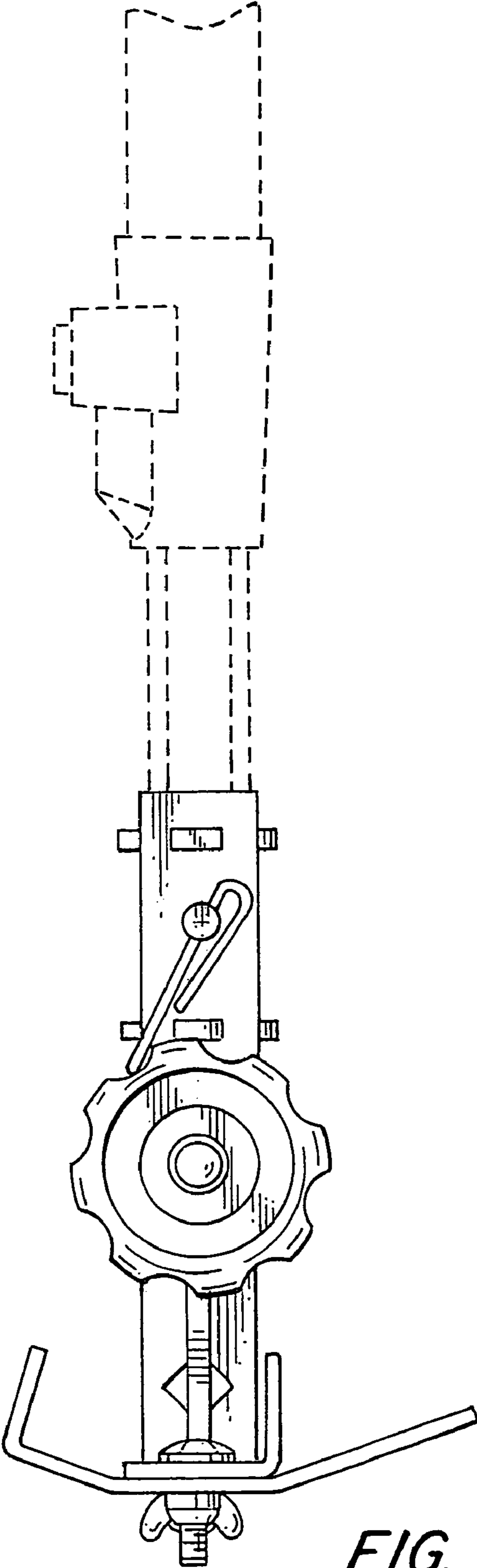


FIG. 7

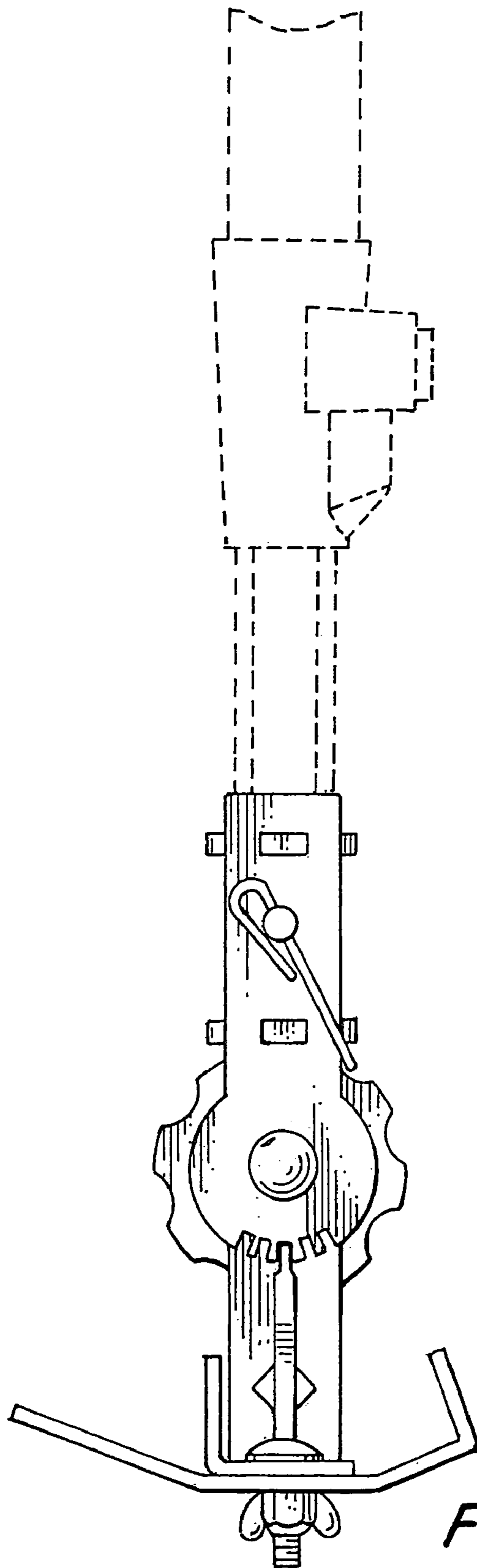


FIG. 8